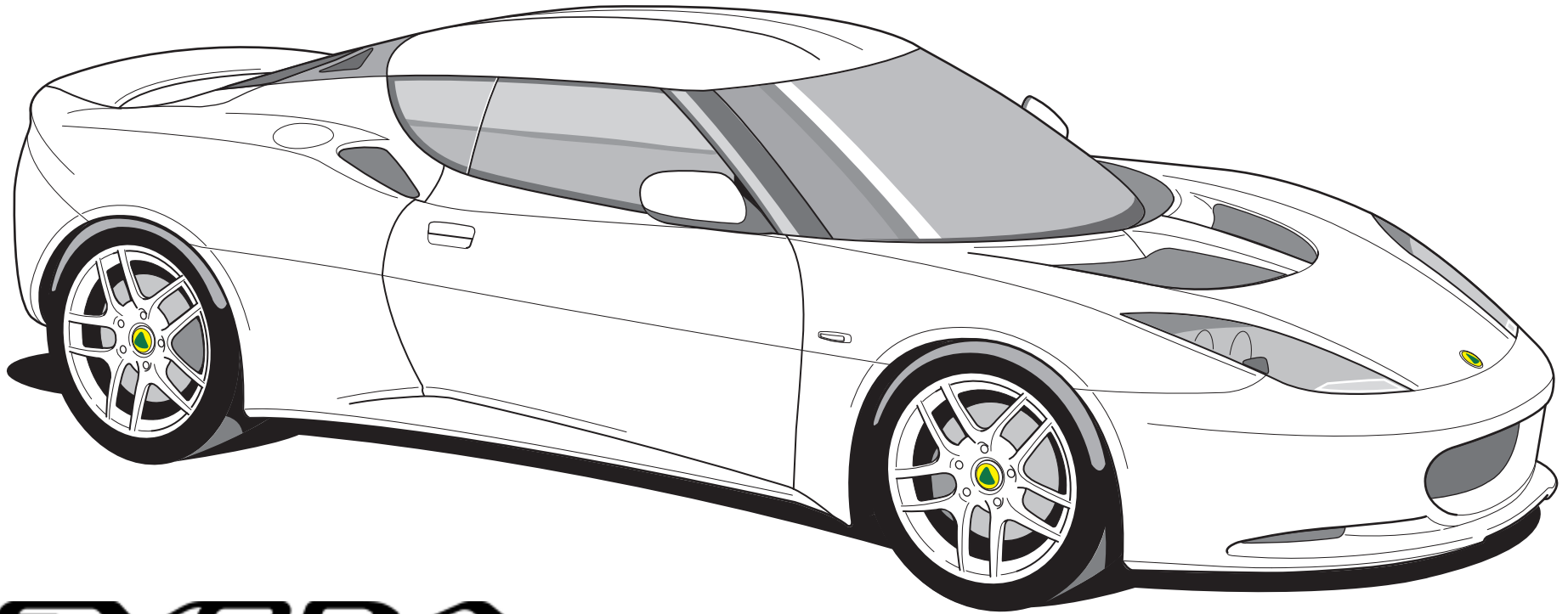




EVORA LABOUR TIME SCHEDULE



EVORA

Technical Publications, Lotus Cars Ltd, Hethel, Norwich, Norfolk, NR14 8EZ. England.

Tel: +44 (0)1953 608000 www.lotuscars.com

© Lotus Cars Ltd. 2009

Part Number B132T0328D/09/01

Updated 1st December 2013

LABOUR TIME SCHEDULE

This labour time schedule is compiled to assist Lotus Dealers when submitting warranty claims via the warranty dealer connect system and also when estimating job times.

The manual is arranged in 'component code' order in common with the Service Parts List, and allocates an operation code to each of the principal operations, with a corresponding labour time

Component Code

For the purposes of part identification, the components of the vehicle are split into function groups, such as front suspension, glazing, etc., and allocated a 'component code', as listed in the index pages, and is in common with the Service Parts List. The first two digits of the function code refer to the major function group, the second two digits to a medium, and the third pair of digits to a specific part. The six figure group identifies a particular component, and is the 'component code'. If the particular part is not listed, then please contact the warranty department for prior authorisation. Please see criteria for pre authorisation from the policy and procedures manual.

Failure Codes

The failure codes consist of A and B codes, and is entered onto the warranty claim. The A code denotes the fault with the applicable component, and the B code denotes the symptoms that led up to discovering the component fault. A full list of A and B types are at the beginning of the labour time schedule.

Operation Code

An operation code is used to identify the type of operation that has been applied to the component, and the subsequent labour time allowance, and is entered onto the warranty claim. The operation codes consist of the six digit component code in conjunction with a two digit work code, These work codes include:

- 00 Test / adjust
- 01 Remove and Refit (R & R)
- 02 Renew
- 03 Renew including paint
- 04 Overhaul
- 05 Renew - unit out of car
- 06 Retrofit
- 07 Modify

Unless otherwise stated the operation codes listed are 'stand alone' times. Only where reference is made to another operation code, i.e. (gearbox removed) should multiple operation times be claimed for.

Labour Time

The times listed against each of the operations are those required by a suitably skilled technician provided with appropriate facilities and special tools (when applicable) working at normal speed and using procedures detailed in the Service Notes manual. The decimal clock system is split into 100 minutes so that the resultant labour time can be calculated through your labour rate in order to obtain a monetary value.

Example: 15 minutes=0.25
1/2 hour =0.50
3/4 hour =0.75
1 hour =1.00

Suggested Labour Time Changes

Forms are provided at the back of the book for use by the dealers if a listed labour time is considered to be incorrect. When using this form, the exact work procedure should be detailed, together with the reasoning and other factors to enable the report to be accurately analysed.

Diagnosis and Testing

As a general rule, diagnosis and testing both before and after an operation should be considered an operating expense and are not reclaimable under warranty unless prior authority has been granted.

FAULT A-CODES

01	MECHANICAL DISTORTED / WARPED / BENT	26	INTERMITTENT
02	POORLY FITTED	27	OVER / UNDER SENSITIVE
03	FOULING	28	INCORRECT ROUTING
04	BROKEN / CRACKED / DAMAGED	29	WIRE INCORRECT PIN POSITION
05	SEIZED / STIFF / STICKING / BINDING		TRIM
06	LOOSE	30	TORN / SCORED / SCRATCHED
07	PREMATURELY WORN	31	DISCOLOURED / STAINED / FADED
08	BURNT / MELTED BY HEAT	32	POOR ADHESION (MECH / TRIM PART)
09	CONTAMINATED	33	FABRIC FRAYING / POOR STITCHING
10	CORRODED		PAINT
11	GASKET FAILURE	34	CAVITY PINHOLE
12	'O' RING / SEALANT FAILURE	35	OVERSPRAY
13	EXCESSIVE PLAY	36	DIRT INCLUSION IN COLOUR COAT
14	MISSING PARTS	37	PAINT RUNS
15	INCORRECT ADJUSTMENT	38	SINKAGE
16	INCORRECT ALIGNMENT	39	THIN PAINT
17	IMPROPER CAULKING	40	GEL CRACKS
18	INCORRECT BONDING	41	CHIPPING
19	LACK OF LUBRICATION	42	PIN HOLES
	ELECTRICAL	43	FLAKING
20	OPEN CIRCUIT / POOR OR NO CONNECTION	44	COLOUR MISMATCH
21	CLOSED CIRCUIT / SHORT CIRCUIT	45	MICRO BLISTERING
22	INTERFERENCE	46	ROUGH SURFACE
23	INCORRECT READING	47	ORANGE PEEL
24	BATTERY FAULT	48	POOR SEAM
25	INOPERATIVE	49	DULL FINISH
		50	MISCELLANEOUS

SYMPTOM B-CODES

01	ENGINE STALLING	24	POOR GEAR SELECTION
02	NON OR HARD TO START	25	DIFFICULTY CHANGING UP
03	POOR TICKOVER	26	DIFFICULTY CHANGING DOWN
04	POOR ACCELERATION / POWER	27	NO GEAR SELECTION
05	POOR COLD START	28	EXCESSIVE NOISE FROM GEARBOX
06	POOR HOT START	29	GEAR SHIFT (SHOCK) EXCESSIVE
07	ENGINE KNOCK	30	PULLING TO ONE SIDE (STEERING)
08	OVER HEATING	31	PULLING TO ONE SIDE (BRAKING)
09	RUNNING COLD	32	INCORRECT RIDE HEIGHT
10	HIGH FUEL CONSUMPTION	33	BODY LEANING TO ONE SIDE
11	HIGH OIL CONSUMPTION	34	ABNORMAL SOUND
12	EXCESSIVE EXHAUST SMOKE	35	WATER INGRESS
13	INCORRECT CHARGING	36	POOR APPEARANCE
14	OIL LEAK	37	FAULTY ACTUATION
15	COOLANT LEAK	38	IMPROPER INDICATION
16	FUEL LEAK	39	POOR OR NO LIGHTING
17	GREASE LEAK	40	MISCELLANEOUS
18	VACUUM LEAK	80	WIND NOISE
19	HYDRAULIC FLUID LEAK	82	IMPROPER WIPING
20	REFRIGERANT LEAK	85	VIBRATION / JUDDER
21	INCORRECT PRESSURE	87	CONTAMINATION
22	CLUTCH SLIPPING / DRAGGING	89	ILL FITTING
23	JUMPING OUT OF GEAR	90	INOPERATIVE

EVORA Contents

10.00 Body

- 10.01 Body: Front & Rear Clamshells & Fixings
- 10.02 Body: Bodysides, Windscreen Frame & Rear Bulkhead
- 10.09 Front Services Access Hatch & Release Mechanism
- 10.11 Tailgate & Release Mechanism
- 10.13 Engine Compartment Cover, Latch Mechanism
- 10.15 Door Shells, Beams, Hinges
- 10.17 Door Latch Mechanism
- 10.23 Bumpers, Valences, Spoilers & Aerofoils
- 10.25 Undertray & Diffuser
- 10.31 Towing Strut/Hook

11.00 Glazing and Seals

- 11.01 Windscreen, Door Glass, Seals & Weather Strips
- 11.02 Door Window Lift Mechanism

12.00 Exterior Fittings

- 12.01 Wheelarch Liners
- 12.03 Grilles & Louvres
- 12.04 Roof Panels, Headliner & Fixings
- 12.05 Decals, Badges & Protective Film
- 12.07 License Plate Mountings
- 12.09 Exterior Driving Mirrors

13.00 Seats & Seat Belts

- 13.01 Seat Runners
- 13.02 Seat Assemblies, front
- 13.19 Seat Assembly, rear
- 13.27 Seat Belts, front
- 13.29 Seat Belts, rear

14.00 Pedal Box & Fascia

- 14.01 Pedal Box, Pedals, Throttle Control
- 14.05 Fascia Structure & Supporting Hardware
- 14.12 Passenger Fascia: Glovebox Assembly

15.00 Interior Trim

- 15.05 Interior Driving Mirror & Sunvisors
- 15.07 'A' Pillar Interior Trim

- 15.09 'B' & 'C' Pillar Interior Trim
- 15.11 Interior Trim & Stowage Provision
- 15.12 Interior Luggage Retention, Evora 2 seat
- 15.13 Front Door Trims
- 15.18 Interior Trims, Chassis Trim Panels
- 15.19 Centre Tunnel Trim, Gear Lever Gaiters/Shrouds
- 15.23 Luggage Compartment Stowage
- 15.24 Luggage Compartment Carpet
- 15.30 Carpeting & Mats

17.00 Electrical

- 17.01 Harnesses, Leads
- 17.03 Horn, Inertia Switch, Fuses & Relays
- 17.05 Interior Switches, Auxiliary Power Socket
- 17.06 Engine Management & Sensors
- 17.07 Instruments, Tell tales & Displays
- 17.09 Transmission Management & Sensors
- 17.11 Exterior Lamps, Except Headlamps
- 17.13 Headlamps
- 17.17 Interior Lamps
- 17.21 Windscreen Wiper Motor, Wipers & Washers
- 17.27 In Car Entertainment
- 17.31 Battery, Clamps & Cables
- 17.33 Security Alarm System, Parking Sensors & Camera
- 17.35 Other Electrical, SIR: Inflator Modules, DERM & Sensors

18.00 Heating, Ventilation, Air Conditioning

- 18.01 Heater/Air Conditioning Assemblies, Housings
- 18.03 AC Components, Pipes & Hoses
- 18.05 Heater, Pipes, Hoses
- 18.09 AC/heater Driver Operated Controls
- 18.12 AC/Heater Air Distribution Plenum
- 18.13 Air trunking, Ducts & Ventilators (Outside the cabin)
- 18.13 Air trunking, Ducts & Ventilators (Inside the cabin)
- 18.14 AC Air Recirculation System

19.00 Labels

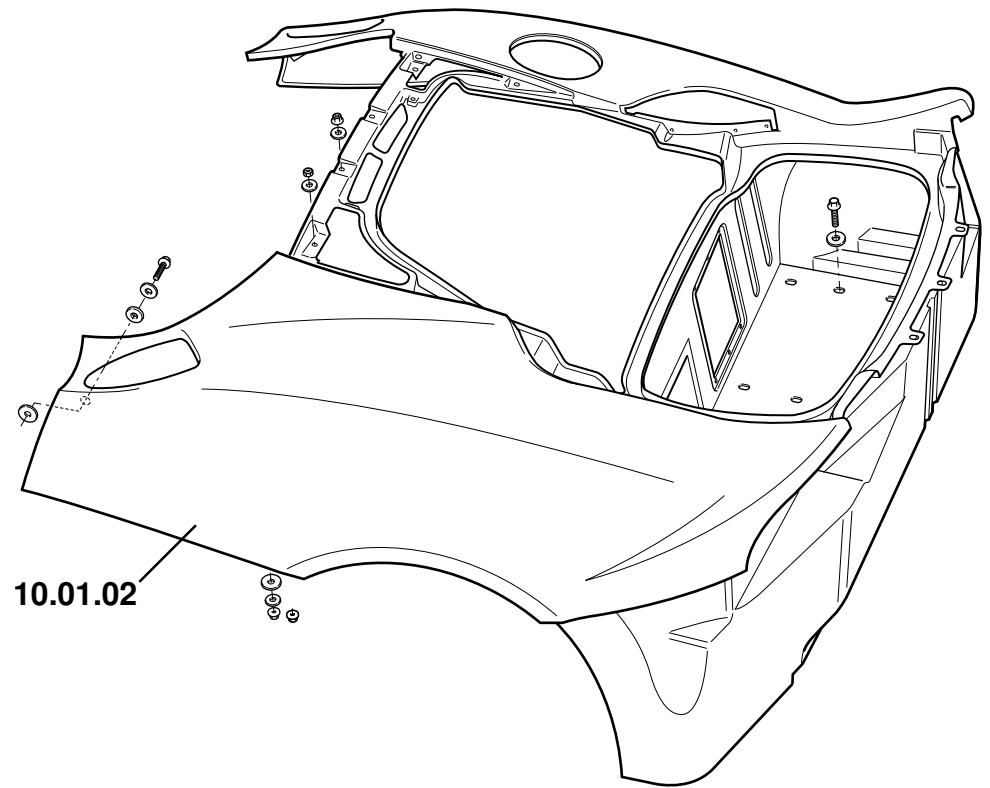
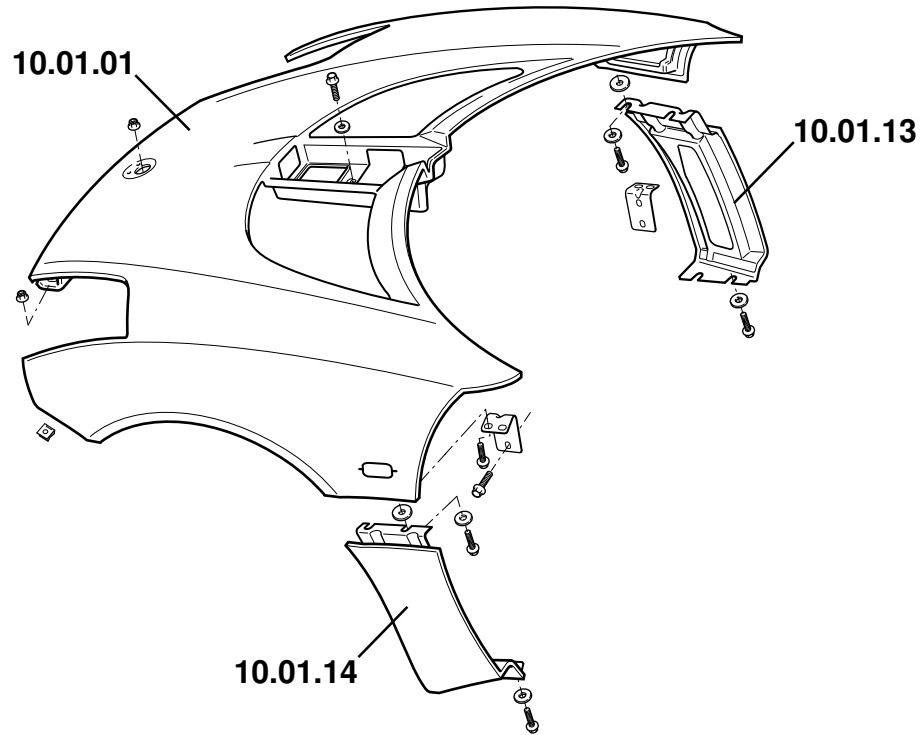
- 19.01

Function Code List: Page 1 of 2

Updated 9th June 2011

30.00	Chassis
30.01	Chassis, Subframes
30.02	Seat Belt Mounting Frames, Stays
31.00	Suspension
31.01	Front Suspension, Incl. Hubs
31.03	Rear Suspension, Incl. Hubs
32.00	Steering
32.03	Power Steering Unit, Reservoir, Plumbing
32.05	Upper Column, Steering Wheel
33.00	Brakes
33.01	Brake Discs, Calipers & Parking Brake Assembly
33.03	Master Cylinder, Servo, ABS Controller, Pipes & Hoses
33.05	Parking Brake Mechanism
34.00	Wheels & Tyres
34.01	Wheels, Tyres & Valves
40.00	Engine
40.00	Engine Assemblies
40.01	Engine Mounts
40.03	Sump Assembly
40.05	Cylinder Head, Valves, Springs
40.07	Camshafts, Tappets, Cam Cover
40.08	Camshaft Drive Chain & Sprockets
40.09	Pistons, Con-Rods
40.11	Crankshaft, Bearings, Flywheel
40.13	Water Pump Assembly, Thermostat
40.15	Lubrication System
40.17	Ignition System, Spark Plugs, Plug Top Coils
40.19	Alternator & Starter Motor
40.21	Exhaust Manifold
40.23	AC Compressor
40.25	Power Steering Pump, Pulley, Mounts & Fixings
41.00	Belts and Pulleys
41.03	Auxilliary Drive Belts & Pulleys

42.00	Induction Systems
42.01	Airboxes, Trunking & Air Filters
42.04	Throttle Body, Mechanism & IAC Valve
42.05	Fuel Injection System
42.07	Inlet Manifolds, Plenum & Gaskets
42.09	Supercharger
43.00	Vacuum System
43.03	Exhaust Flap Vacuum System
44.00	Fuel System
44.01	Fuel Tanks, Filler
44.03	Fuel Pump, Filter, Pipes
44.05	Charcoal Canister & Evaporative Loss System
45.00	Exhaust
45.01	Exhaust System
45.05	Heatshields
46.00	Cooling
46.01	Engine Cooling System & Fan
46.03	Oil Cooler & Pipes (pre '12MY)
46.05	Engine Bay Cooling, Ducts & Trunking
46.07	Single Oil Cooler System - Engine (from '12MY)
46.08	Single Oil Cooler System - Auto Transmission (from '12MY)
47.00	Transmission
47.01	Clutch & Release Mechanism
47.02	Automatic Transmission Assembly
47.03	Manual Transmission Assembly
47.04	Gearchange Mechanism, External, Automatic
47.05	Gearchange Mechanism, External, Manual
47.06	Gearchange Mechanism, Internal, Manual
47.07	Gears, Shafts & Bearings, Manual
47.11	Final Drive & Bearings, Manual
47.15	Driveshafts & Seals



EVORA
10.01

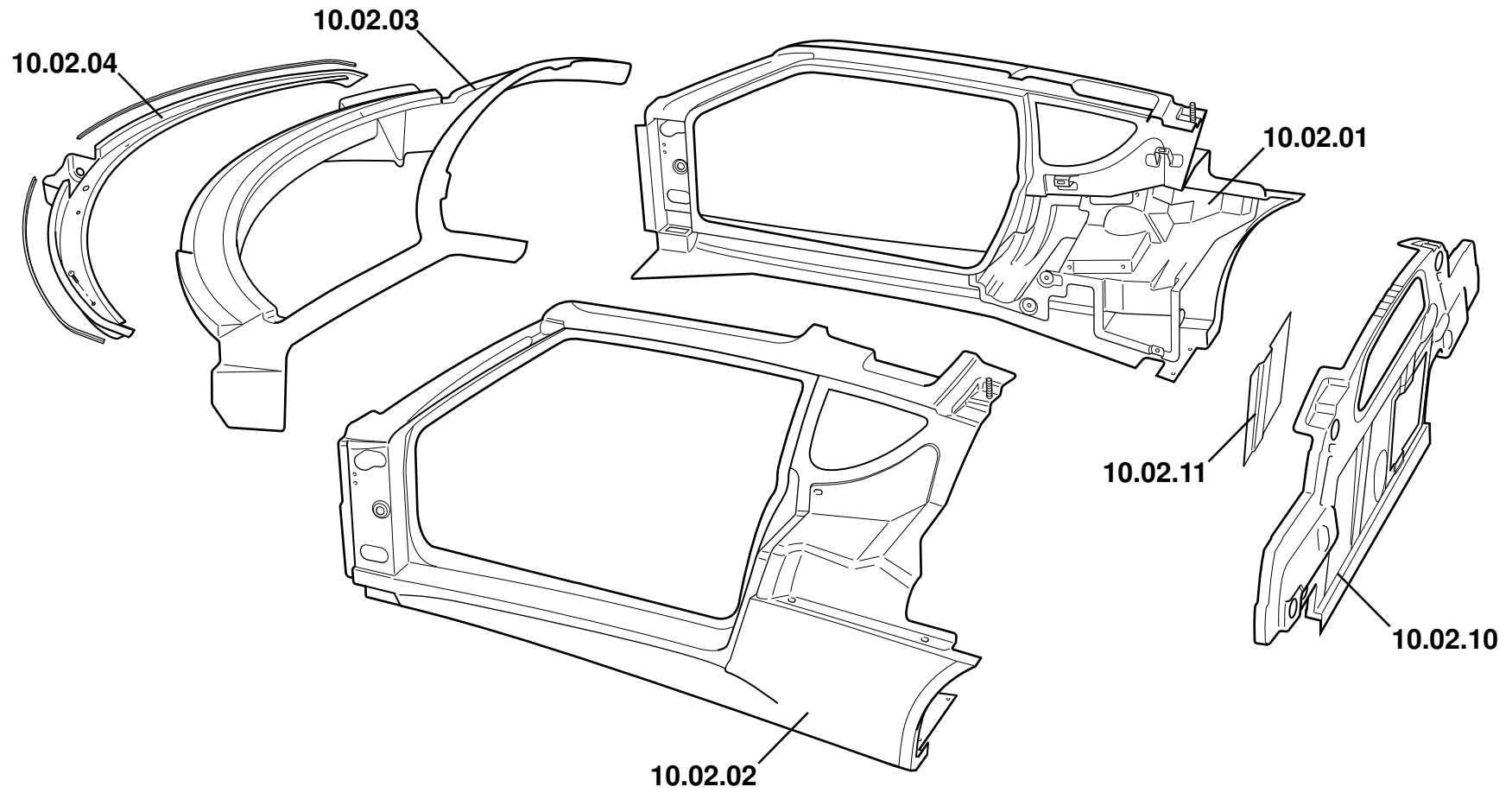


LOTUS EVORA STANDARD LABOUR TIMES.

Function Area: 10.00 Body

Function Code: 10.01 Body: Front & Rear Clamshells & Fixings

Operation Code	Description	Op Type	Hours	Derivative
10.01.01-01	Front clamshell (incl. headlamp alignment)	r&r	2.2	
10.01.01-02	Front clamshell (incl. headlamp alignment) (excl. paint)	Renew	2.4	
10.01.02-01	Rear clamshell	r&r	4.0	
10.01.02-02	Rear clamshell (excl. paint)	Renew	5.0	
10.01.13-01	'A' panel RH	r&r	0.3	
10.01.13-02	'A' panel RH (excl. paint)	Renew	0.3	
10.01.14-01	'A' panel LH	r&r	0.3	
10.01.14-02	'A' panel LH (excl. paint)	Renew	0.3	



EVORA

10.02

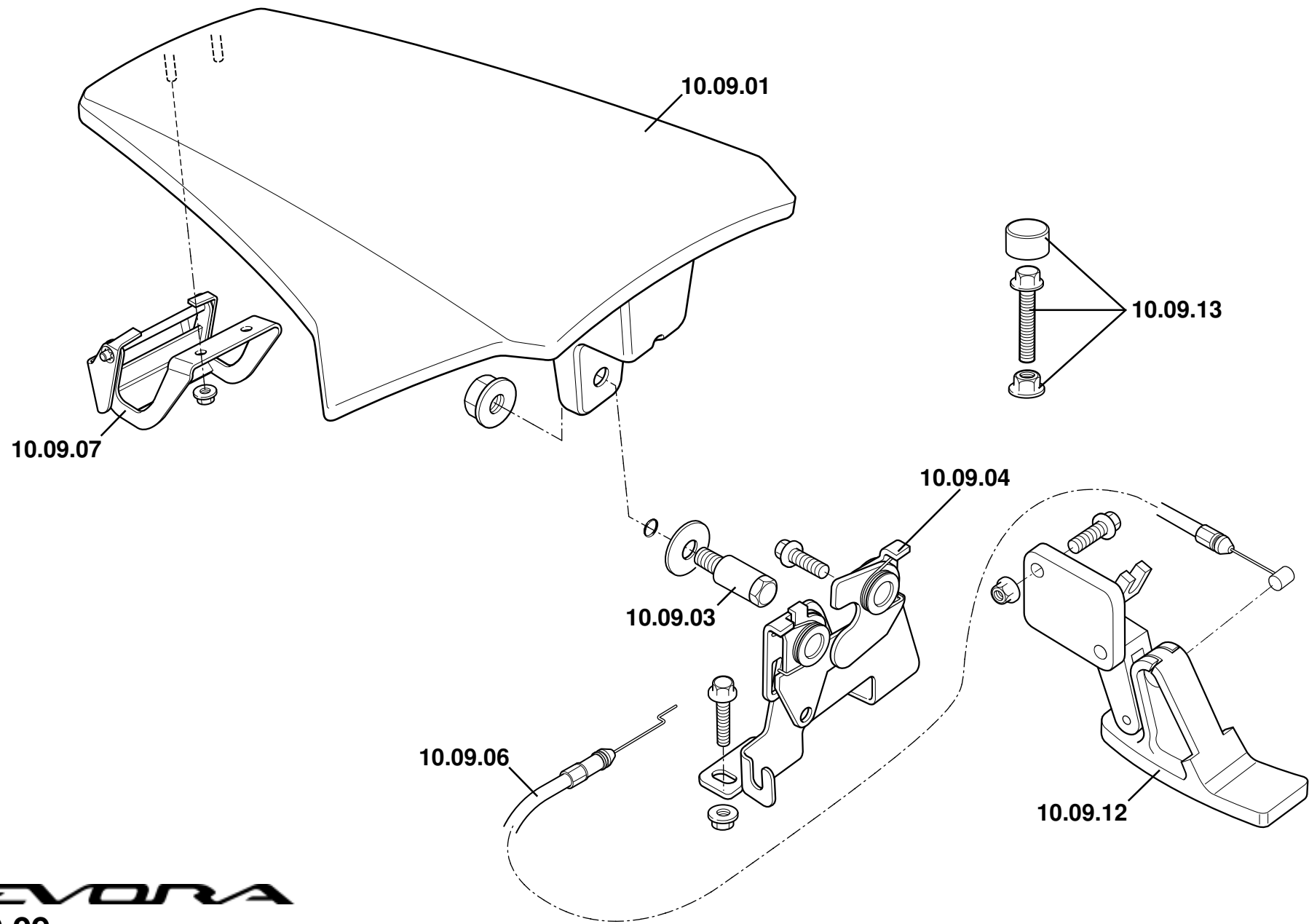


LOTUS EVORA STANDARD LABOUR TIMES.

Function Area: 10.00 Body

Function Code: 10.02 Body: Bodysides, Windscreen Frame & Rear Bulkhead

Operation Code	Description	Op Type	Hours	Derivative
10.02.01-02	RH Bodyside (excl. paint)	Renew	35.0	
10.02.02-02	LH Bodyside (excl. paint)	Renew	35.0	
10.02.03-02	Windscreen frame (incl. new windscreen)	Renew	30.0	
10.02.04-01	Gutter panel, windscreen	r&r	2.4	
10.02.04-02	Gutter panel, windscreen	Renew	2.4	
10.02.10-TT	Rear bulkhead assembly (repair, time taken)	General	0.0	
10.02.11-01	Access panel, rear bulkhead	r&r	0.3	
10.02.11-02	Access panel, rear bulkhead	Renew	0.3	
10.02.99-99	Refer to Service Notes regarding bonded panel repair/replacement			



EVORA
10.09



LOTUS EVORA STANDARD LABOUR TIMES.

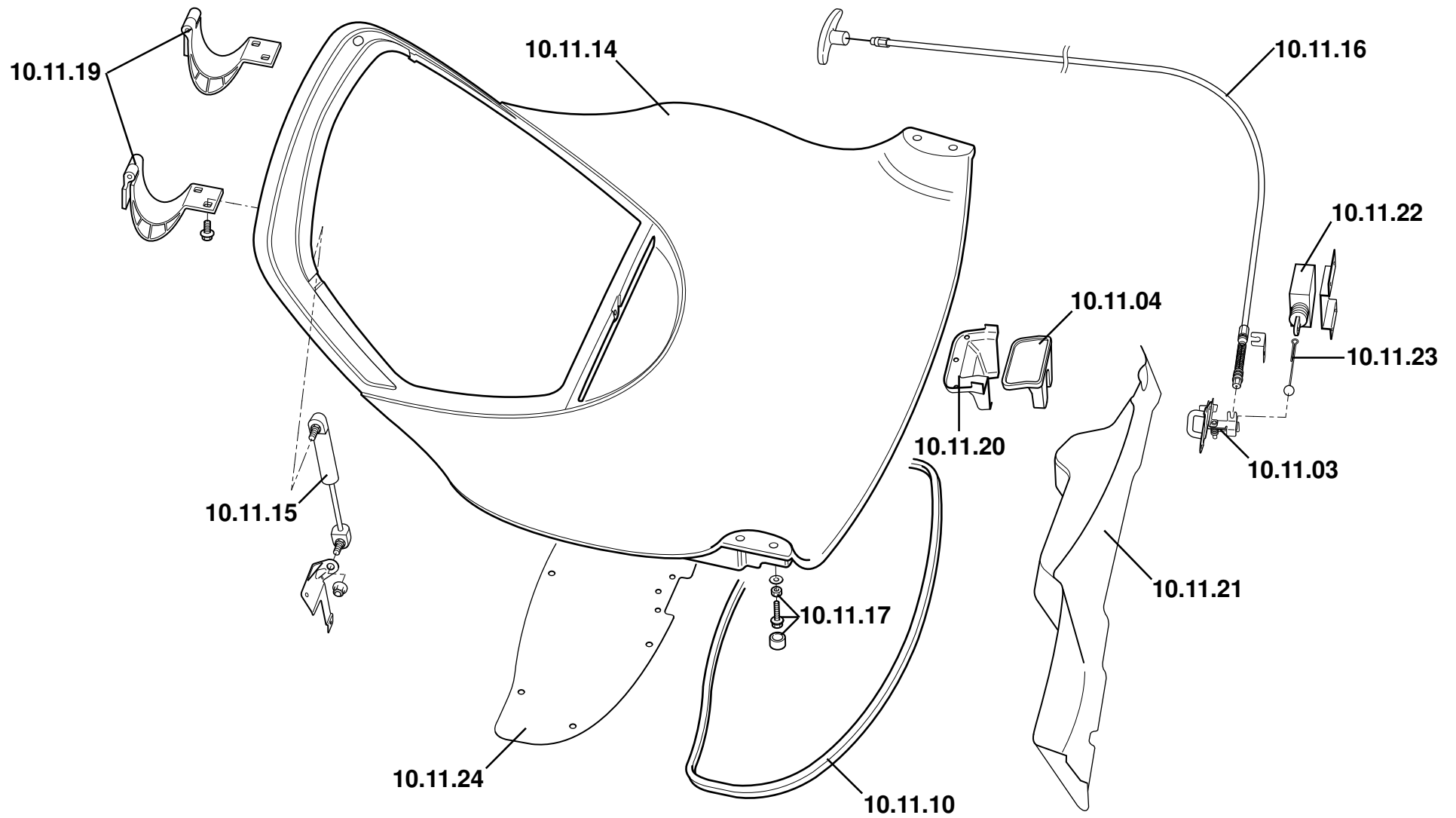
Function Area: 10.00 Body

Function Code: 10.09 Front Services Access Panels

Operation Code	Description	Op Type	Hours	Derivative
10.09.01-00	Access hatch, front	Adjust	0.1	
10.09.01-02	Access hatch, front (excl. paint)	Renew	0.2	
10.09.03-01	Striker pin	r&r	0.1	
10.09.03-02	Striker pin	Renew	0.1	
10.09.04-00	Latch assembly	Adjust	0.1	
10.09.04-02	Latch assembly	Renew	0.2	
10.09.06-01	Cable assembly, hatch release (includes heater box R & R)	r&r	7.2	
10.09.06-02	Cable assembly, hatch release (includes heater box R & R)	Renew	7.2	
10.09.07-01	Hinge assembly, front hatch	r&r	0.2	
10.09.07-02	Hinge assembly, front hatch	Renew	0.2	
10.09.12-01	Lever, hatch release	r&r	0.2	
10.09.12-02	Lever, hatch release	Renew	0.2	
10.09.13-00	Bump stop (one or all)	Adjust	0.1	
10.09.13-02	Bump stop (one or all)	Renew	0.1	

Function Code: 10.09, Page: 1

Updated 4th April 2013



EVORA
10.11



LOTUS EVORA STANDARD LABOUR TIMES.

Function Area: 10.00 Body

Function Code: 10.11 Tailgate & Release Mechanism

Operation Code	Description	Op Type	Hours	Derivative
10.11.03-00	Striker assembly	Adjust	0.2	
10.11.03-02	Striker assembly	Renew	0.3	
10.11.04-00	Latch, tailgate	Adjust	0.2	
10.11.04-02	Latch, tailgate	Renew	0.3	
10.11.10-01	Weather seal, bootbox	r&r	0.1	
10.11.10-02	Weather seal, bootbox	Renew	0.1	
10.11.14-01	Tailgate assembly	r&r	0.4	
10.11.14-02	Tailgate assembly (includes tailgate glass R & R) (excl. paint)	Renew	3.0	
10.11.15-01	Strut, tailgate (one or both)	r&r	0.1	
10.11.15-02	Strut, tailgate (one or both)	Renew	0.2	
10.11.16-01	Release cable, tailgate, manually operated	r&r	1.0	
10.11.16-02	Release cable, tailgate, manually operated	Renew	1.0	
10.11.17-00	Bump stops, tailgate (one or more)	Adjust	0.1	
10.11.17-02	Bump stops, tailgate (one or more)	Renew	0.1	
10.11.19-01	Hinge assembly (one or both) (incl. tailgate R & R)	r&r	0.5	
10.11.19-02	Hinge assembly (one or both) (incl. tailaget R & R)	Renew	0.5	
10.11.20-01	Cover, tailgate latch	r&r	0.2	
10.11.20-02	Cover, tailgate latch	Renew	0.2	
10.11.21-01	Cover, striker assembly	r&r	0.1	
10.11.21-02	Cover, striker assembly	Renew	0.2	
10.11.22-01	Actuator, tailgate latch	r&r	0.3	
10.11.22-02	Actuator, tailgate latch	Renew	0.3	
10.11.23-00	Cable, tailgate latch to actuator	Adjust	0.3	
10.11.23-02	Cable, tailgate latch to actuator	Renew	0.3	
10.11.24-01	Trim, tailgate	r&r	0.1	

Function Code: 10.11, Page: 1

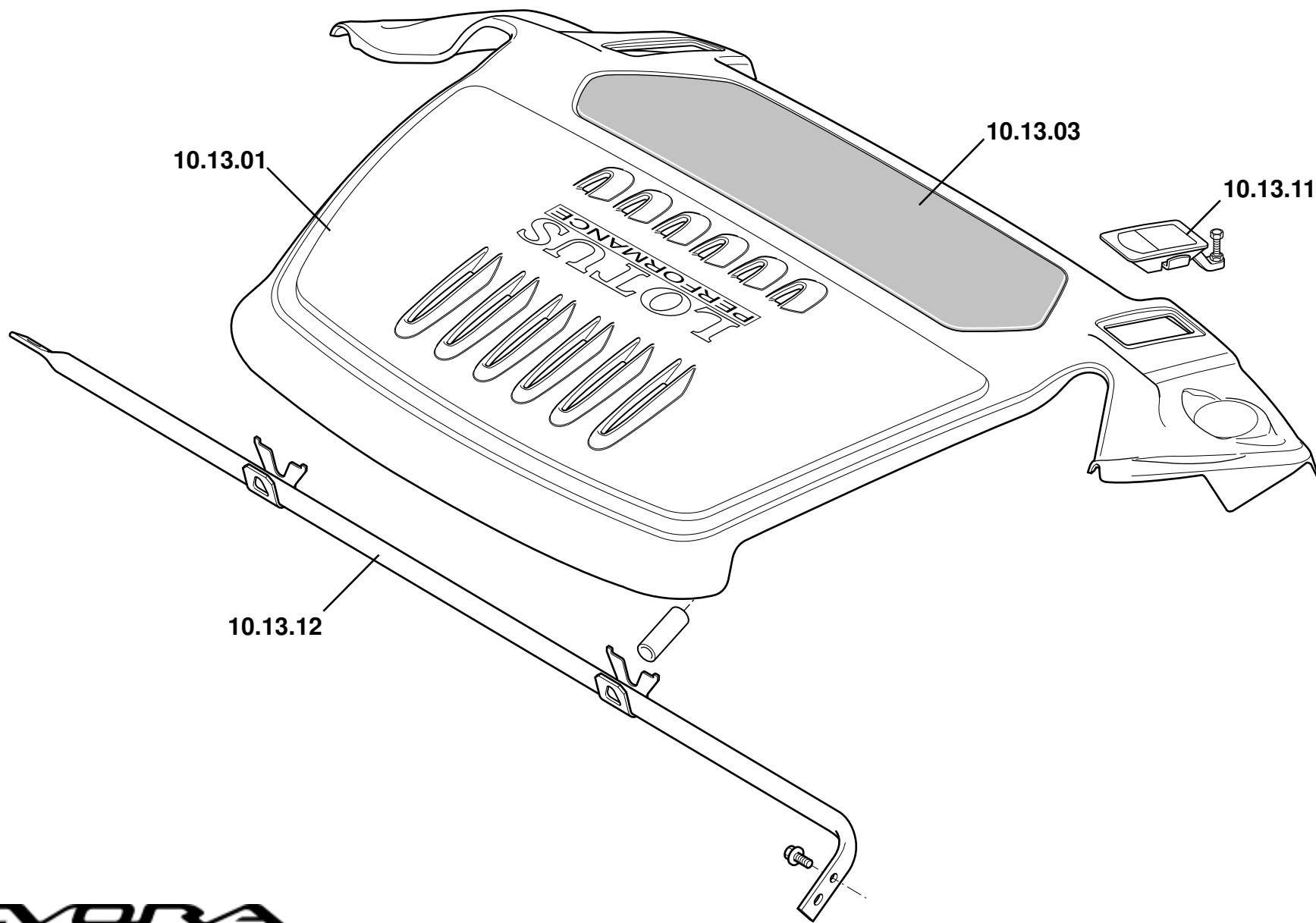


LOTUS EVORA STANDARD LABOUR TIMES.

Function Area: 10.00 Body

Function Code: 10.11 Tailgate & Release Mechanism

Operation Code	Description	Op Type	Hours	Derivative
10.11.24-02	Trim, tailgate	Renew	0.2	



10.13.01

10.13.03

10.13.11

10.13.12

EVORA

10.13

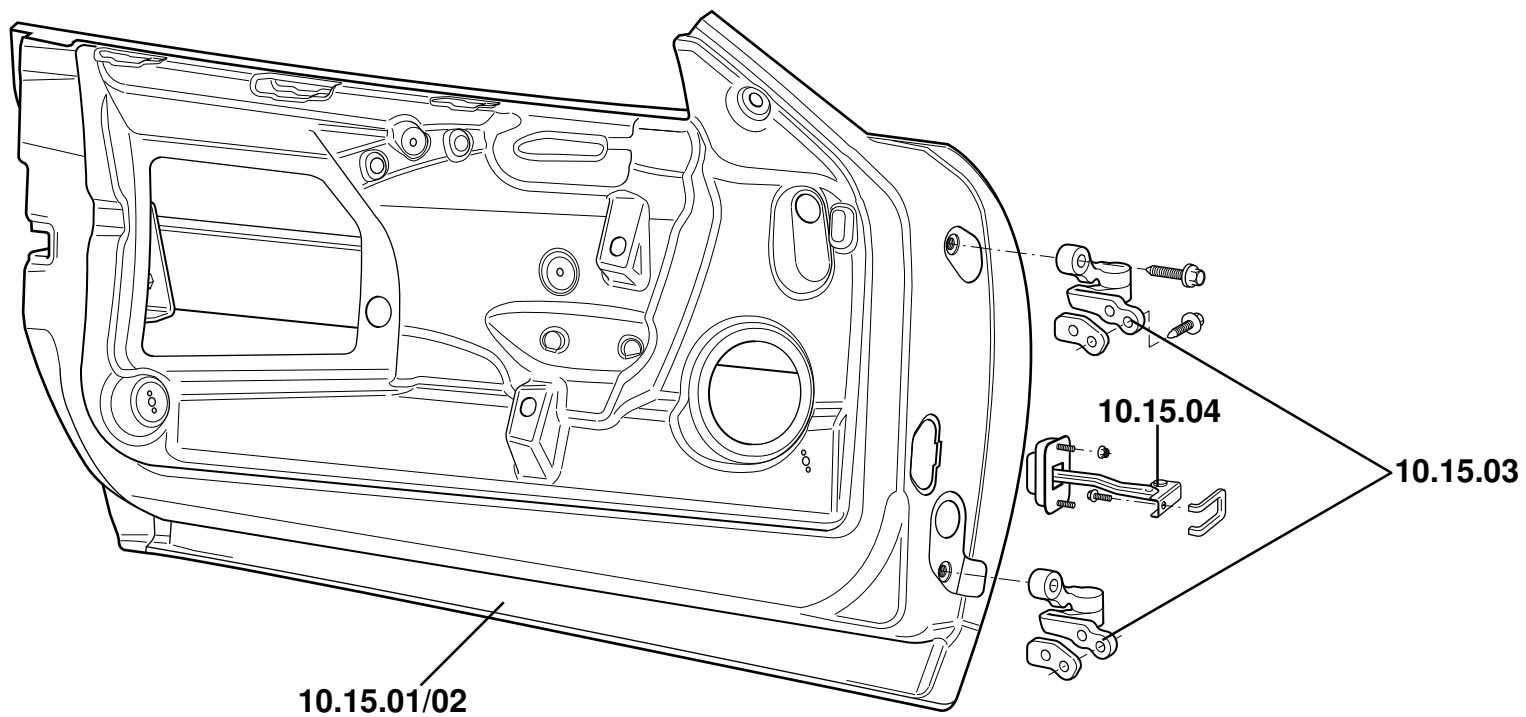


LOTUS EVORA STANDARD LABOUR TIMES.

Function Area: 10.00 Body

Function Code: 10.13 Engine Compartment, Cover, Latch Mechanism

Operation Code	Description	Op Type	Hours	Derivative
10.13.01-01	Panel assembly, engine bay cover	r&r	0.1	
10.13.01-02	Panel assembly, engine bay cover	Renew	0.1	
10.13.03-02	Grille, engine bay cover	Renew	0.2	
10.13.11-01	Latch, engine bay cover	r&r	0.1	
10.13.11-02	Latch, engine bay cover	Renew	0.1	
10.13.12-01	Cross-bar, engine bay	r&r	0.1	
10.13.12-02	Cross-bar, engine bay	Renew	0.2	



EVORA
10.15

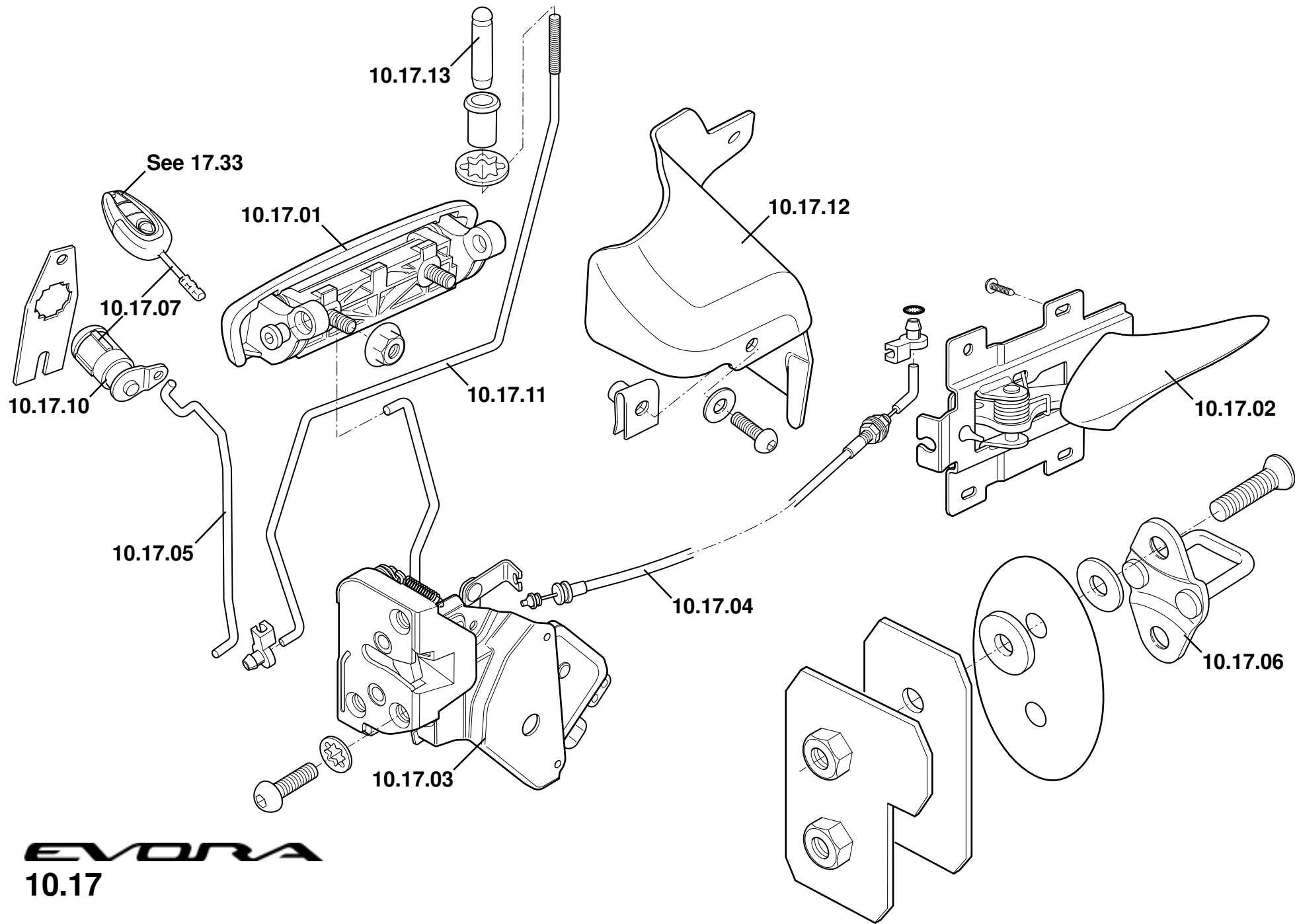


LOTUS EVORA STANDARD LABOUR TIMES.

Function Area: 10.00 Body

Function Code: 10.15 Door Shells, Beams, Hinges

Operation Code	Description	Op Type	Hours	Derivative
10.15.01-01	Door assembly complete (one side)	r&r	0.5	
10.15.02-02	Door shell (one side) (excl. paint)	Renew	2.5	
10.15.03-00	Hinge, door (one or both, one side)	Adjust	0.3	
10.15.03-01	Hinge, door (one or both, one side) (incl. door R & R)	r&r	0.6	
10.15.03-02	Hinge, door (one or both, one side) (incl. door R & R)	Renew	0.6	
10.15.04-01	Check, door opening (one side)	r&r	0.4	
10.15.04-02	Check, door opening (one side)	Renew	0.4	



EVORA
10.17



LOTUS EVORA STANDARD LABOUR TIMES.

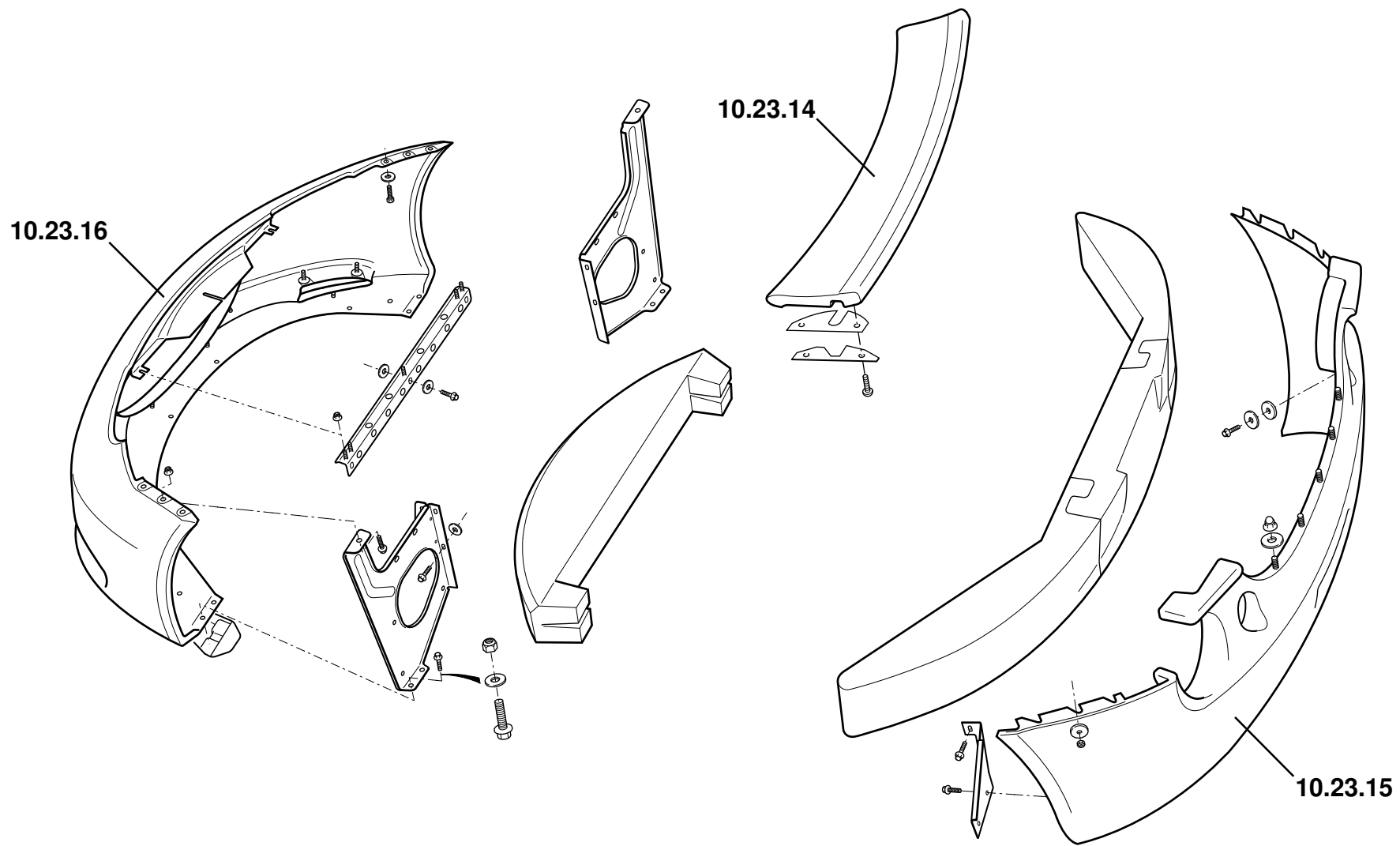
Function Area: 10.00 Body

Function Code: 10.17 Door Latch Mechanism

Operation Code	Description	Op Type	Hours	Derivative
10.17.01-01	Exterior door release handle (one side)	r&r	0.6	
10.17.01-02	Exterior door release handle (one side)	Renew	0.6	
10.17.02-01	Interior door release handle (one side)	r&r	0.3	
10.17.02-02	Interior door release handle (one side)	Renew	0.3	
10.17.03-01	Door latch mechanism/CDL actuator (one side)	r&r	1.3	
10.17.03-02	Door latch mechanism/CDL actuator (one side)	Renew	1.3	
10.17.04-01	Cable, door interior release (one side)	r&r	1.3	
10.17.04-02	Cable, door interior release (one side)	Renew	1.3	
10.17.05-01	Link rod, lock cylinder to latch (one side)	r&r	0.7	
10.17.05-02	Link rod, lock cylinder to latch (one side)	Renew	0.7	
10.17.06-00	Striker, door latch (one side)	Adjust	0.1	
10.17.06-02	Striker, door latch (one side)	Renew	0.2	
10.17.07-02	Lock set (door and ignition)	Renew	0.8	
10.17.10-01	Lock cylinder, door	r&r	0.4	
10.17.10-02	Lock cylinder, door	Renew	0.4	
10.17.11-01	Lock rod, sill button to latch (one side)	r&r	0.7	
10.17.11-02	Lock rod, sill button to latch (one side)	Renew	0.7	
10.17.12-01	Shield, door latch security (one side)	r&r	0.4	
10.17.12-02	Shield, door latch security (one side)	Renew	0.4	
10.17.13-01	Button, lock rod (one side)	r&r	0.1	
10.17.13-02	Button, lock rod (one side)	Renew	0.1	

Function Code: 10.17, Page: 1

Updated 18th August 2011



EVORA
10.23

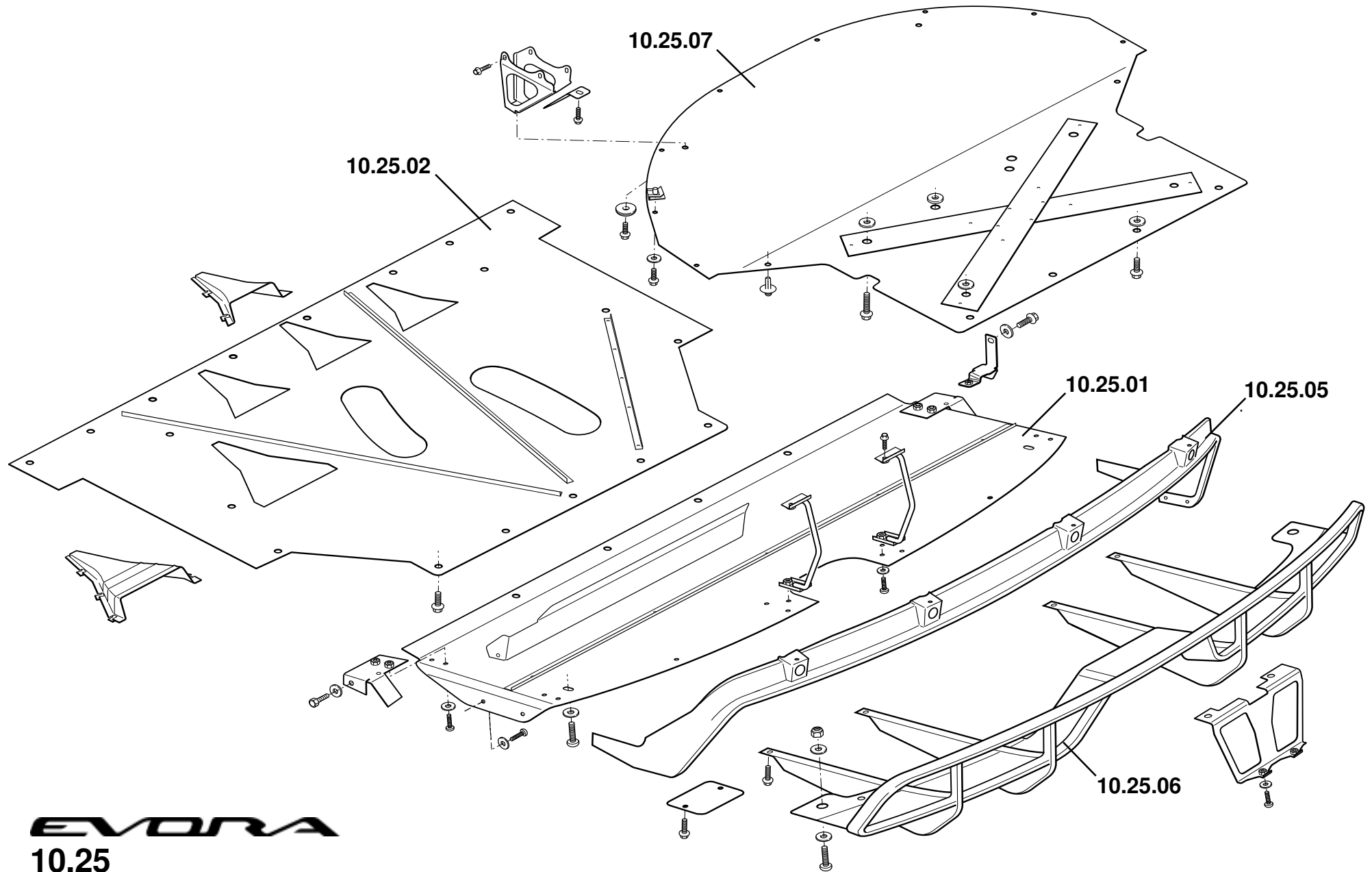


LOTUS EVORA STANDARD LABOUR TIMES.

Function Area: 10.00 Body

Function Code: 10.23 Bumpers, Valences Spoilers & Aerofoils

Operation Code	Description	Op Type	Hours	Derivative
10.23.14-01	Spoiler, rear (excludes CHMSL R & R)	r&r	0.2	
10.23.14-02	Spoiler, rear (includes CHMSL R & R) (excl. paint)	Renew	0.3	
10.23.15-01	Bumper assembly, rear	r&r	1.0	
10.23.15-02	Bumper assembly, rear (includes transfer of fittings) (excl. paint)	Renew	1.2	
10.23.16-01	Bumper assembly, front	r&r	1.8	
10.23.16-02	Bumper assembly, front (includes transfer of fittings) (excl. paint)	Renew	2.1	



EVORA
10.25

Updated 28th February 2011

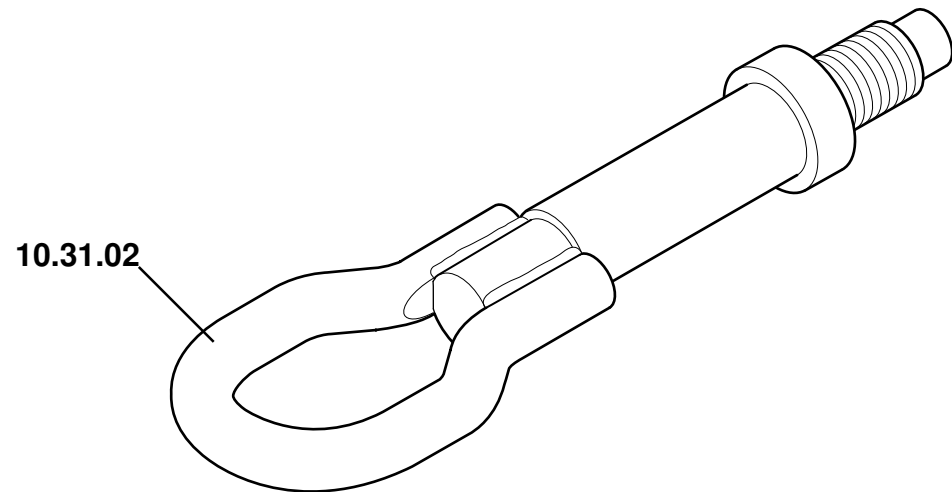


LOTUS EVORA STANDARD LABOUR TIMES.

Function Area: 10.00 Body

Function Code: 10.25 Undertray & Diffuser

Operation Code	Description	Op Type	Hours	Derivative
10.25.01-01	Diffuser	r&r	0.3	
10.25.01-02	Diffuser	Renew	0.3	
10.25.02-01	Undertray (rear)	r&r	0.3	
10.25.02-02	Undertray (rear)	Renew	0.3	
10.25.05-01	Diffuser finisher	r&r	1.2	
10.25.05-02	Diffuser finisher	Renew	1.3	
10.25.06-01	Diffuser grille surround assembly	r&r	0.3	S
10.25.06-02	Diffuser grille surround assembly	Renew	0.3	S
10.25.07-01	Undertray (front)	r&r	0.3	
10.25.07-02	Undertray (front)	Renew	0.3	



EVORA

10.31

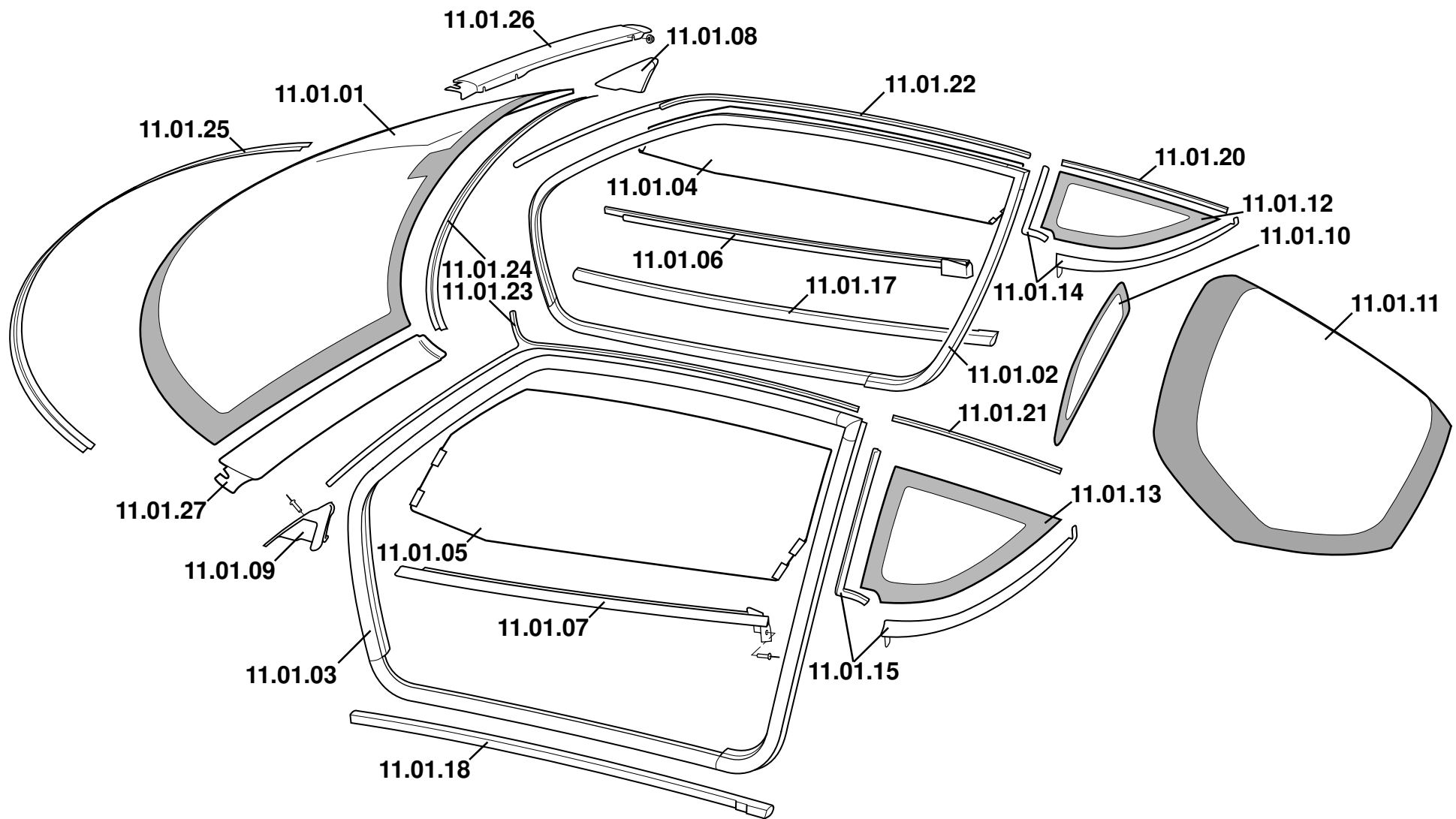


LOTUS EVORA STANDARD LABOUR TIMES.

Function Area: 10.00 Body

Function Code: 10.31 Towing Strut/ Hook

Operation Code	Description	Op Type	Hours	Derivative
10.31.02-02	Towing eye, front	Renew	0.1	



EVORA
11.01

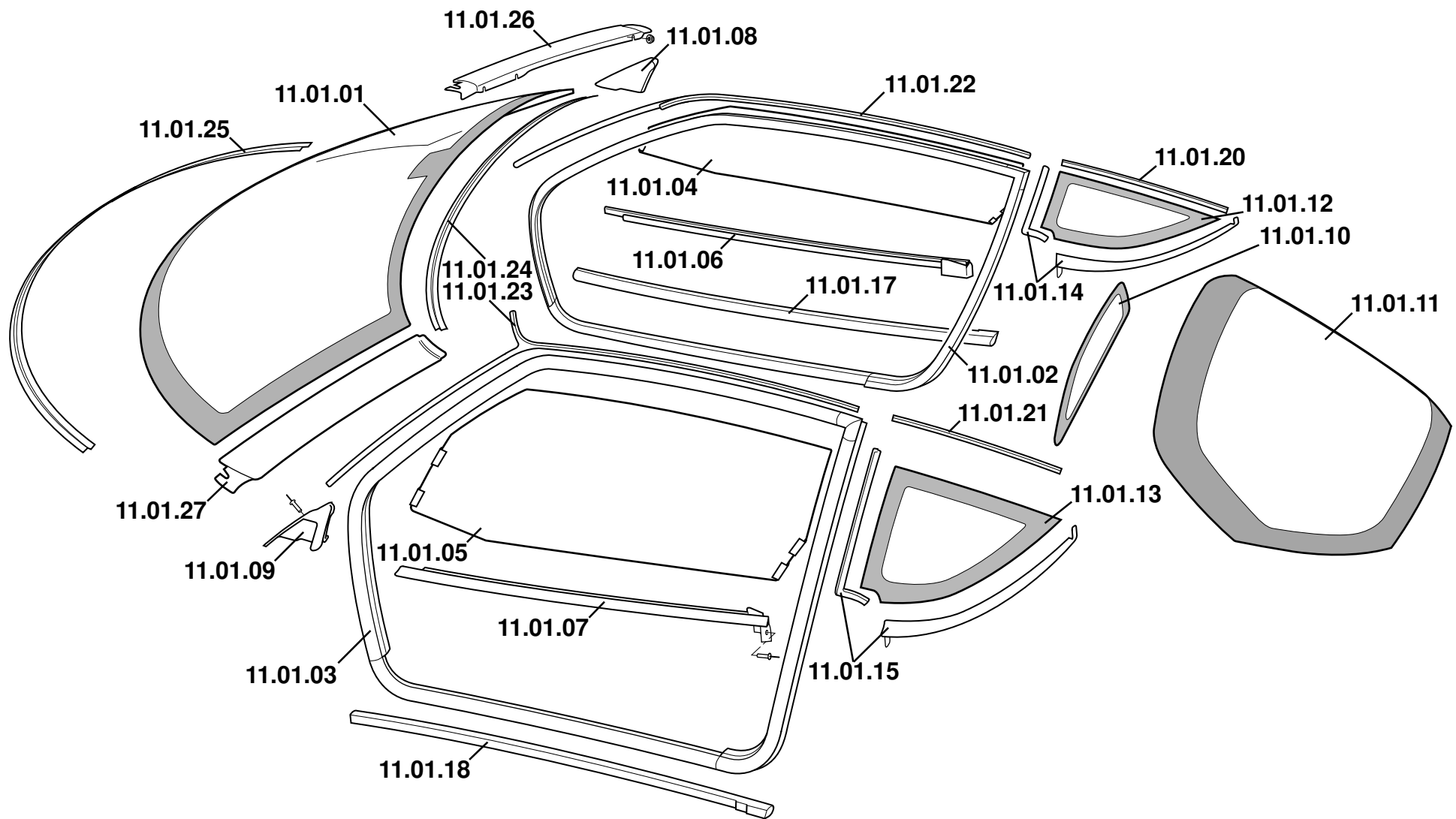


LOTUS EVORA STANDARD LABOUR TIMES.

Function Area: 11.00 Glazing and Seals

Function Code: 11.01 Windscreen, Door Glass, Seals & Weather Strips

Operation Code	Description	Op Type	Hours	Derivative
11.01.01-02	Windscreen	Renew	2.5	
11.01.02-01	Door weatherstrip, RH	r&r	0.2	
11.01.02-02	Door weatherstrip, RH	Renew	0.2	
11.01.03-01	Door weatherstrip, LH	r&r	0.2	
11.01.03-02	Door weatherstrip, LH	Renew	0.2	
11.01.04-00	Door window, RH	Adjust	0.5	
11.01.04-01	Door window, RH (incl. adjustment)	r&r	1.0	
11.01.04-02	Door window, RH (incl. adjustment)	Renew	1.0	
11.01.05-00	Door window, LH	Adjust	0.5	
11.01.05-01	Door window, LH (incl. adjustment)	r&r	1.0	
11.01.05-02	Door window, LH (incl. adjustment)	Renew	1.0	
11.01.06-01	Waist seal, door glass, RH	r&r	0.2	
11.01.06-02	Waist seal, door glass, RH	Renew	0.2	
11.01.07-01	Waist seal, door glass, LH	r&r	0.2	
11.01.07-02	Waist seal, door glass, LH	Renew	0.2	
11.01.08-02	Door cheater seal, RH (incl. door mirror R & R)	Renew	0.6	
11.01.09-02	Door cheater seal, LH (incl. door mirror R & R)	Renew	0.6	
11.01.10-02	Rear bulkhead window	Renew	1.0	
11.01.11-02	Glass, tailgate	Renew	2.5	
11.01.12-02	Glass, rear quarterlight RH (incl. rear clam R & R)	Renew	5.0	
11.01.13-02	Glass, rear quarterlight LH (incl. rear clam R & R)	Renew	5.0	
11.01.14-02	Finisher seal, rear quarterlight, RH (one)	Renew	0.2	
11.01.15-02	Finisher seal, rear quarterlight, LH (one)	Renew	0.2	
11.01.17-01	Door secondary seal, RH	r&r	0.2	
11.01.17-02	Door secondary seal, RH	Renew	0.2	



EVORA
11.01

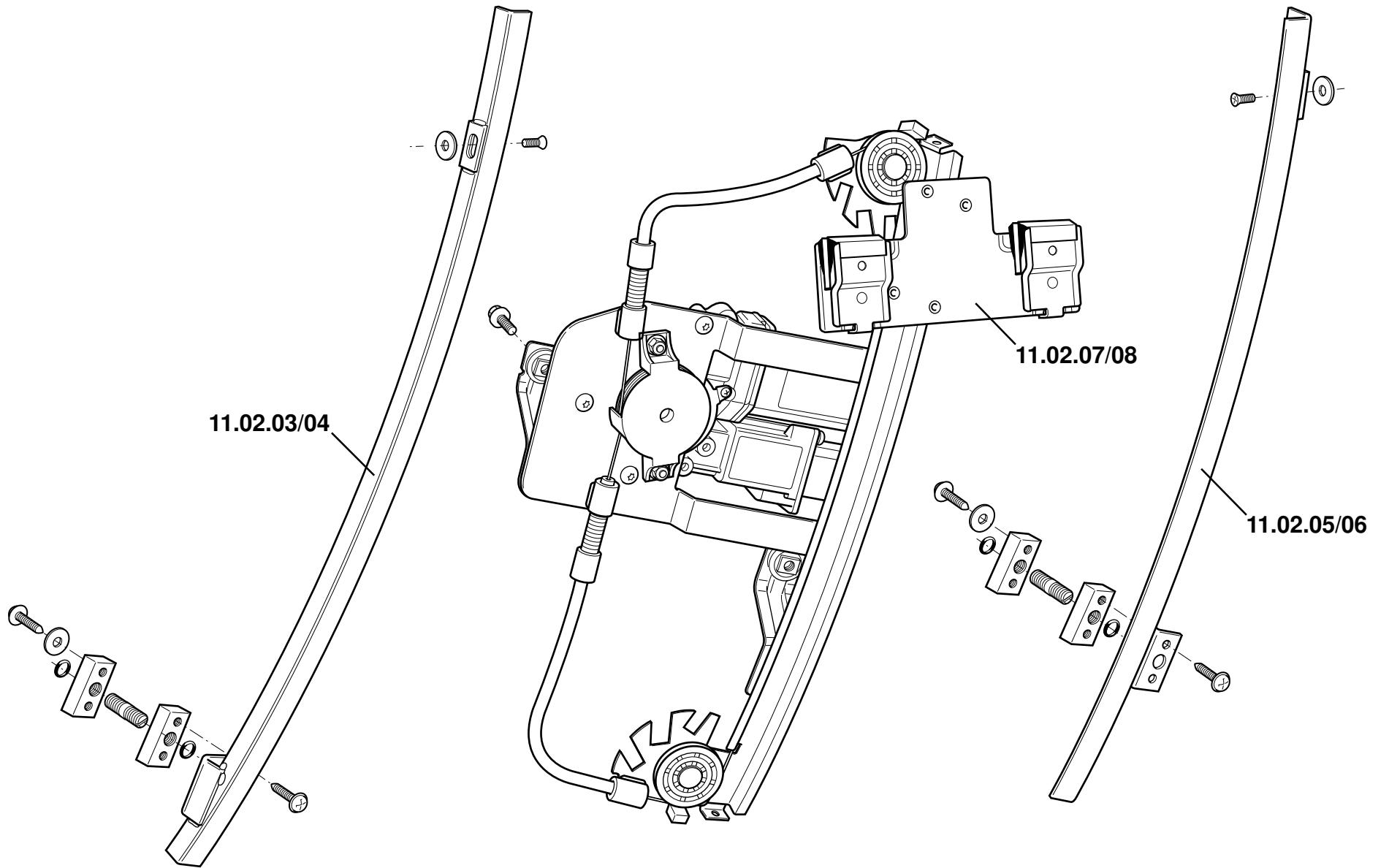


LOTUS EVORA STANDARD LABOUR TIMES.

Function Area: 11.00 Glazing and Seals

Function Code: 11.01 Windscreen, Door Glass, Seals & Weather Strips

Operation Code	Description	Op Type	Hours	Derivative
11.01.18-01	Door secondary seal, LH	r&r	0.2	
11.01.18-02	Door secondary seal, LH	Renew	0.2	
11.01.20-02	Seal, rear quarterlight, upper, RH (incl. glass R & R)	Renew	5.0	
11.01.21-02	Seal, rear quarterlight, upper, LH (incl. glass R & R)	Renew	5.0	
11.01.22-02	Seal, door glass, upper, RH	Renew	0.3	
11.01.23-02	Seal, door glass, upper, LH	Renew	0.3	
11.01.24-02	Seal, windscreen, upper (incl. windscreen R & R)	Renew	2.5	
11.01.25-02	Seal, windscreen, lower (incl. windscreen R & R)	Renew	2.5	
11.01.26-01	Trim, 'A' pillar, RH	r&r	0.2	
11.01.26-02	Trim, 'A' pillar, RH	Renew	0.2	
11.01.27-01	Trim, 'A' pillar, LH	r&r	0.2	
11.01.27-02	Trim, 'A' pillar, LH	Renew	0.2	



EVORA
11.02

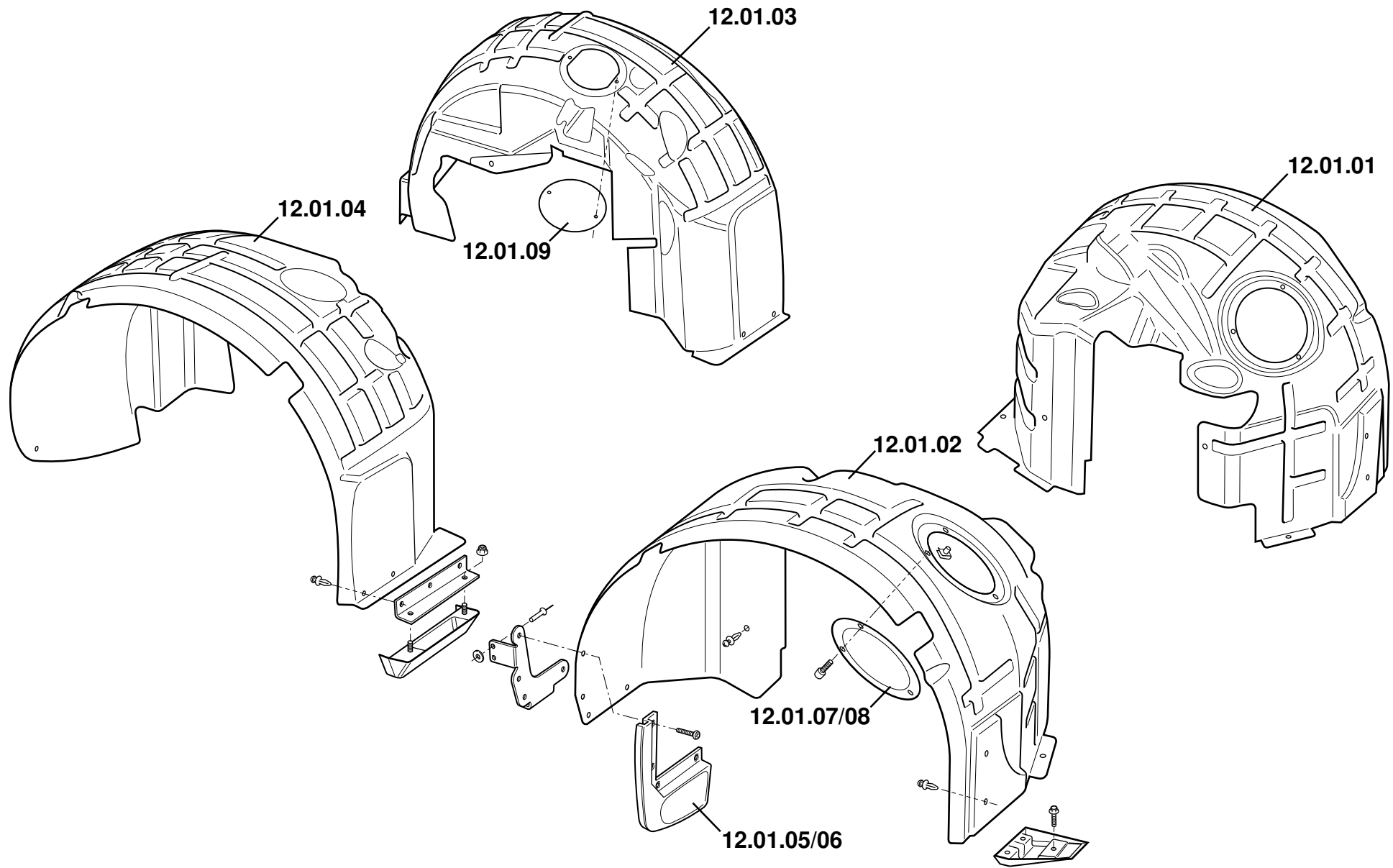


LOTUS EVORA STANDARD LABOUR TIMES.

Function Area: 11.00 Glazing and Seals

Function Code: 11.02 Door Window Lift Mechanism

Operation Code	Description	Op Type	Hours	Derivative
11.02.03-00	Window guide rail, LH (front, rear or both)	Adjust	0.5	
11.02.03-01	Window guide rail, front, LH	r&r	1.0	
11.02.03-02	Window guide rail, front, LH	Renew	1.0	
11.02.04-00	Window guide rail, RH (front, rear or both)	Adjust	0.5	
11.02.04-01	Window guide rail, front, RH	r&r	1.0	
11.02.04-02	Window guide rail, front, RH	Renew	1.0	
11.02.05-01	Window guide rail, rear, LH	r&r	1.0	
11.02.05-02	Window guide rail, rear, LH	Renew	1.0	
11.02.06-01	Window guide rail, rear, RH	r&r	1.0	
11.02.06-02	Window guide rail, rear, RH	Renew	1.0	
11.02.07-01	Electric window lift mechanism, LH	r&r	1.0	
11.02.07-02	Electric window lift mechanism, LH	Renew	1.0	
11.02.08-01	Electric window lift mechanism, RH	r&r	1.0	
11.02.08-02	Electric window lift mechanism, RH	Renew	1.0	



EVORA

12.01

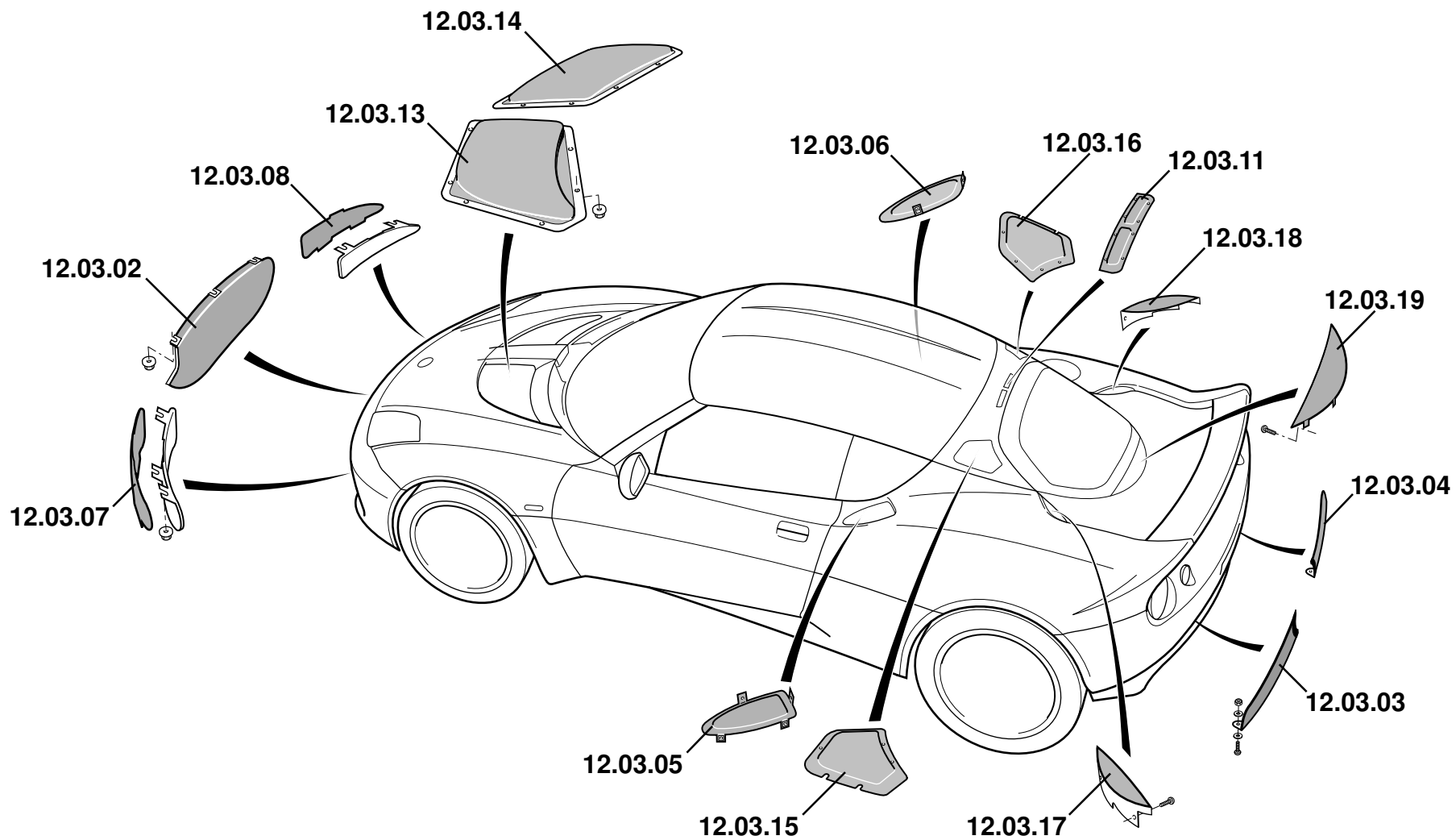


LOTUS EVORA STANDARD LABOUR TIMES.

Function Area: 12.00 Exterior Fittings

Function Code: 12.01 Wheelarch Liners

Operation Code	Description	Op Type	Hours	Derivative
12.01.01-01	Wheelarch liner, LHF	r&r	0.2	
12.01.01-02	Wheelarch liner, LHF	Renew	0.2	
12.01.02-01	Wheelarch liner, RHF	r&r	0.2	
12.01.02-02	Wheelarch liner, RHF	Renew	0.2	
12.01.03-01	Wheelarch liner, LHR	r&r	0.2	
12.01.03-02	Wheelarch liner, LHR	Renew	0.2	
12.01.04-01	Wheelarch liner, RHR	r&r	0.2	
12.01.04-02	Wheelarch liner, RHR	Renew	0.2	
12.01.05-01	Mudflap, LHF	r&r	0.1	
12.01.05-02	Mudflap, LHF	Renew	0.2	
12.01.06-01	Mudflap, RHF	r&r	0.1	
12.01.06-02	Mudflap, RHF	Renew	0.2	
12.01.07-01	Access panel, LHF wheelarch	r&r	0.1	
12.01.07-02	Access panel, LHF wheelarch	Renew	0.1	
12.01.08-01	Access panel, RHF wheelarch	r&r	0.1	
12.01.08-02	Access panel, RHF wheelarch	Renew	0.1	
12.01.09-01	Access panel, LHR wheelarch	r&r	0.1	
12.01.09-02	Access panel, LHR wheelarch	Renew	0.1	



EVORA
12.03



LOTUS EVORA STANDARD LABOUR TIMES.

Function Area: 12.00 Exterior Fittings

Function Code: 12.03 Grilles and Louvres

Operation Code	Description	Op Type	Hours	Derivative
12.03.02-01	Grille, front intake	r&r	0.4	
12.03.02-02	Grille, front intake	Renew	0.4	
12.03.03-01	Grille, diffuser, LH	r&r	0.2	
12.03.03-02	Grille, diffuser, LH	Renew	0.2	
12.03.04-01	Grille, diffuser, RH	r&r	0.2	
12.03.04-02	Grille, diffuser, RH	Renew	0.2	
12.03.05-01	Grille, side intake, LH (incl. rear clam R & R)	r&r	4.1	
12.03.05-02	Grille, side intake, LH (incl. rear clam R & R)	Renew	4.1	
12.03.06-01	Grille, side intake, RH (incl. rear clam R & R)	r&r	4.1	
12.03.06-02	Grille, side intake, RH (incl. rear claim R & R)	Renew	4.1	
12.03.07-01	Grille, front intake, LH	r&r	0.4	
12.03.07-02	Grille, front intake, LH	Renew	0.4	
12.03.08-01	Grille, front intake, RH	r&r	0.4	
12.03.08-02	Grille, front intake, RH	Renew	0.4	
12.03.11-01	Grille, roof centre,	r&r	0.4	
12.03.11-02	Grille, roof centre,	Renew	0.4	
12.03.13-01	Grille, front exit, LH (incl. front clam R & R)	r&r	2.3	
12.03.13-02	Grille, front exit, LH (incl. front clam R & R)	Renew	2.3	
12.03.14-01	Grille, front exit, RH (incl. front clam R & R)	r&r	2.3	
12.03.14-02	Grille, front exit, RH (incl. front clam R & R)	Renew	2.3	
12.03.15-01	Grille, roof vent panel, LH	r&r	0.4	
12.03.15-02	Grille, roof vent panel, LH	Renew	0.4	
12.03.16-01	Grille, roof vent panel, RH	r&r	0.4	
12.03.16-02	Grille, roof vent panel, RH	Renew	0.4	
12.03.17-01	Grille, side outlet, LH	r&r	0.1	

Function Code: 12.03, Page: 1

Updated 4th April 2013

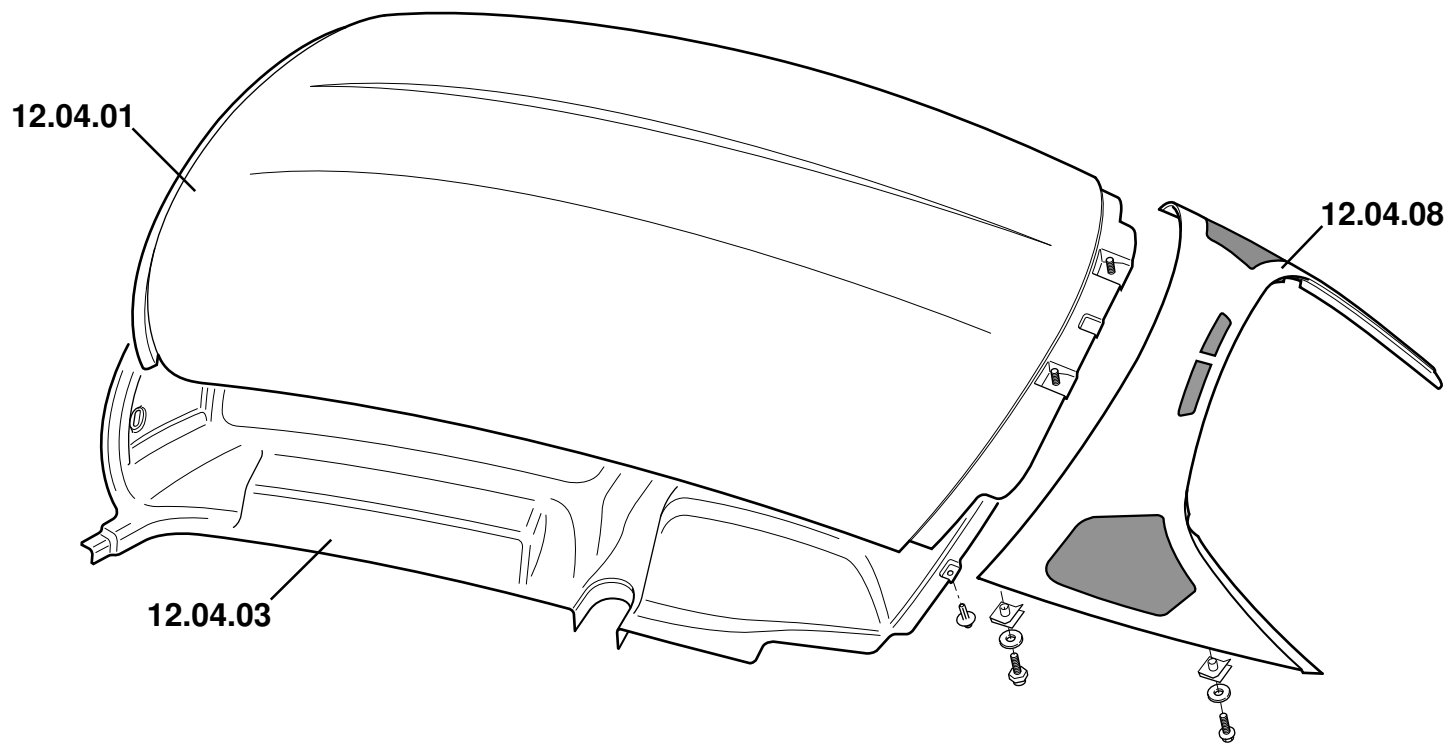


LOTUS EVORA STANDARD LABOUR TIMES.

Function Area: 12.00 Exterior Fittings

Function Code: 12.03 Grilles and Louvres

Operation Code	Description	Op Type	Hours	Derivative
12.03.17-02	Grille, side outlet, LH	Renew	0.1	
12.03.18-01	Grille, side outlet, RH	r&r	0.1	
12.03.18-02	Grille, side outlet, RH	Renew	0.1	
12.03.19-01	Grille, tailgate	r&r	0.3	
12.03.19-02	Grille, tailgate	Renew	0.3	



EVORA

12.04

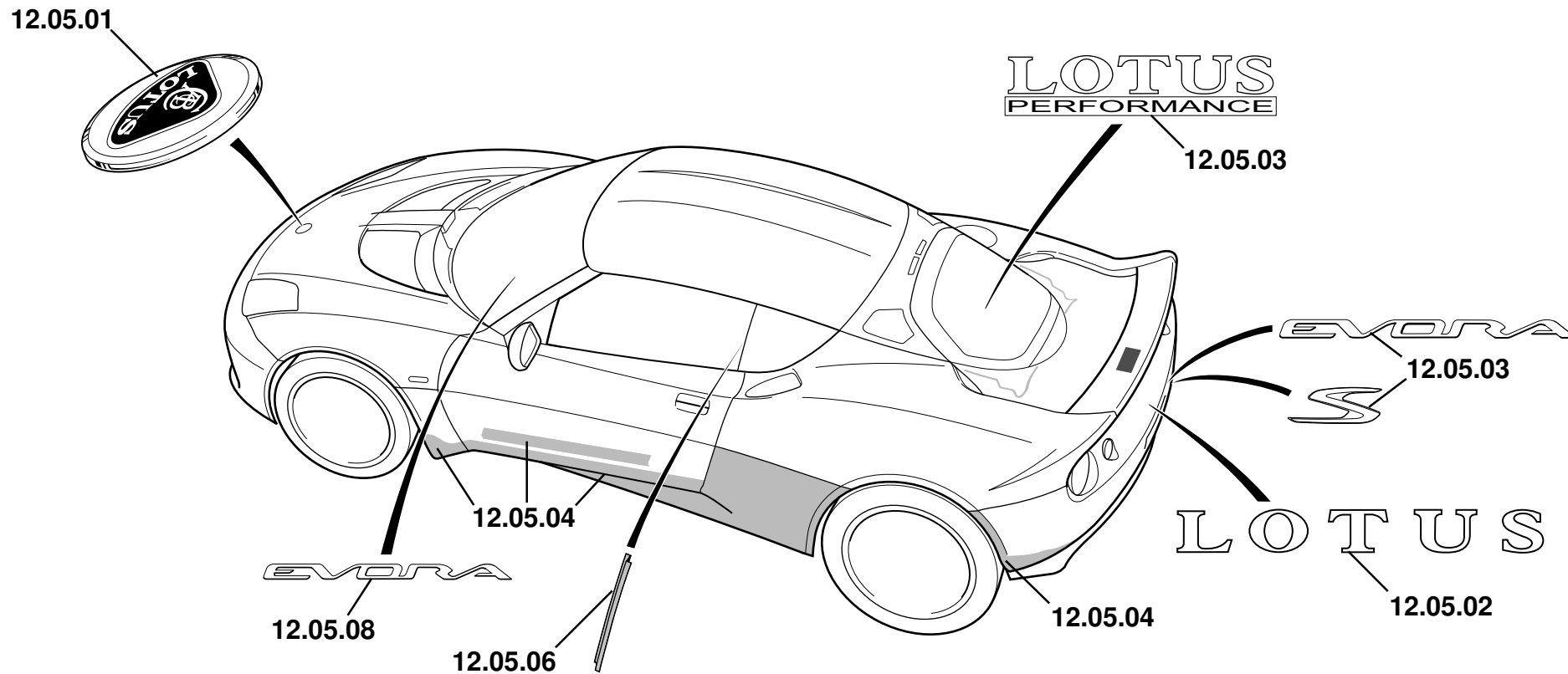


LOTUS EVORA STANDARD LABOUR TIMES.

Function Area: 12.00 Exterior Fittings

Function Code: 12.04 Roof Panel, Headliner & Fixings

Operation Code	Description	Op Type	Hours	Derivative
12.04.01-02	Roof panel (excl. paint)	Renew	13.5	
12.04.03-01	Headliner assembly	r&r	1.4	
12.04.03-02	Headliner assembly	Renew	1.4	
12.04.08-01	Ventilation panel, engine bay	r&r	0.2	
12.04.08-02	Ventilation panel, engine bay	Renew	0.3	
12.04.99-99	Refer to Service Notes regarding bonded panel repair/replacement			



EVORA
12.05

Updated 9th June 2011

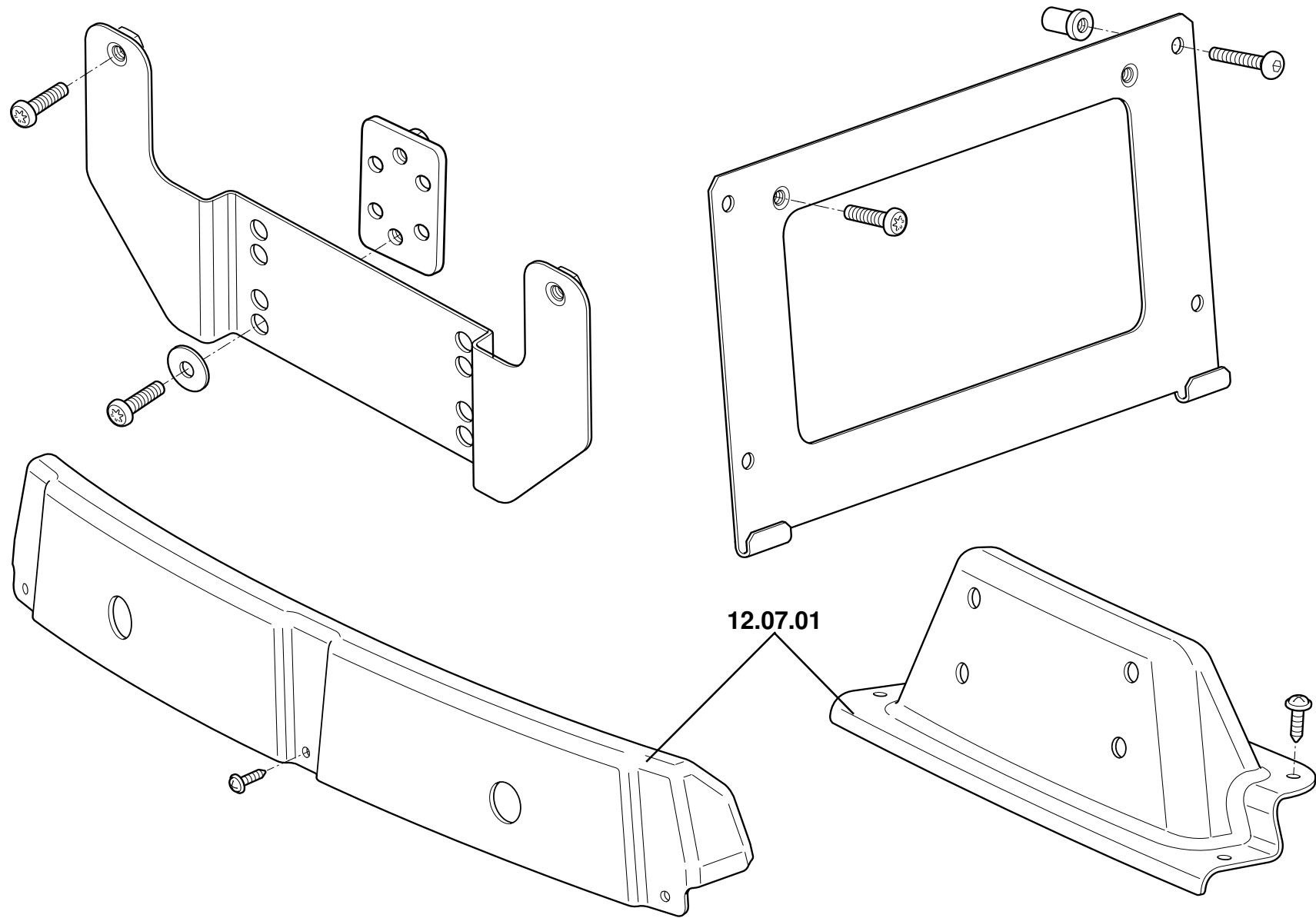


LOTUS EVORA STANDARD LABOUR TIMES.

Function Area: 12.00 Exterior Fittings

Function Code: 12.05 Decals, Badges & Protective Film

Operation Code	Description	Op Type	Hours	Derivative
12.05.01-02	Nose badge, Lotus Logo	Renew	0.2	
12.05.02-02	Badge (seperate letters)	Renew	0.5	
12.05.03-02	Badge (single piece, one)	Renew	0.2	
12.05.04-02	Film, paint protection (one)	Renew	0.5	
12.05.06-02	Film, blackout (one)	Renew	0.2	
12.05.08-02	Badge, interior (excludes fascia R & R 14053401)	Renew	0.1	



12.07.01

EVORA
12.07

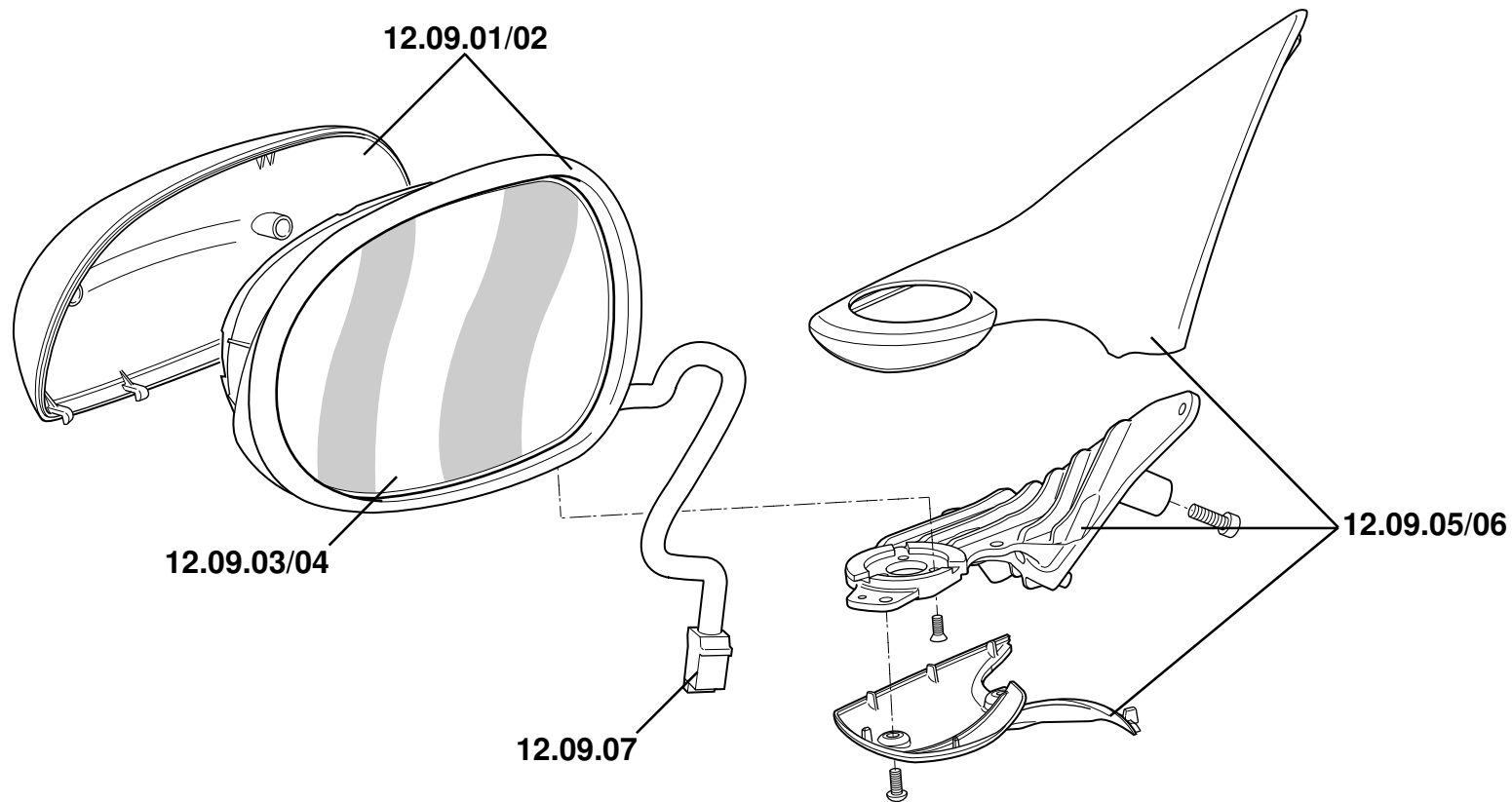


LOTUS EVORA STANDARD LABOUR TIMES.

Function Area: 12.00 Exterior Fittings

Function Code: 12.07 Licence Plate Mountings

Operation Code	Description	Op Type	Hours	Derivative
12.07.01-02	Plinth, licence plate, front	Renew	0.2	



EVORA

12.09

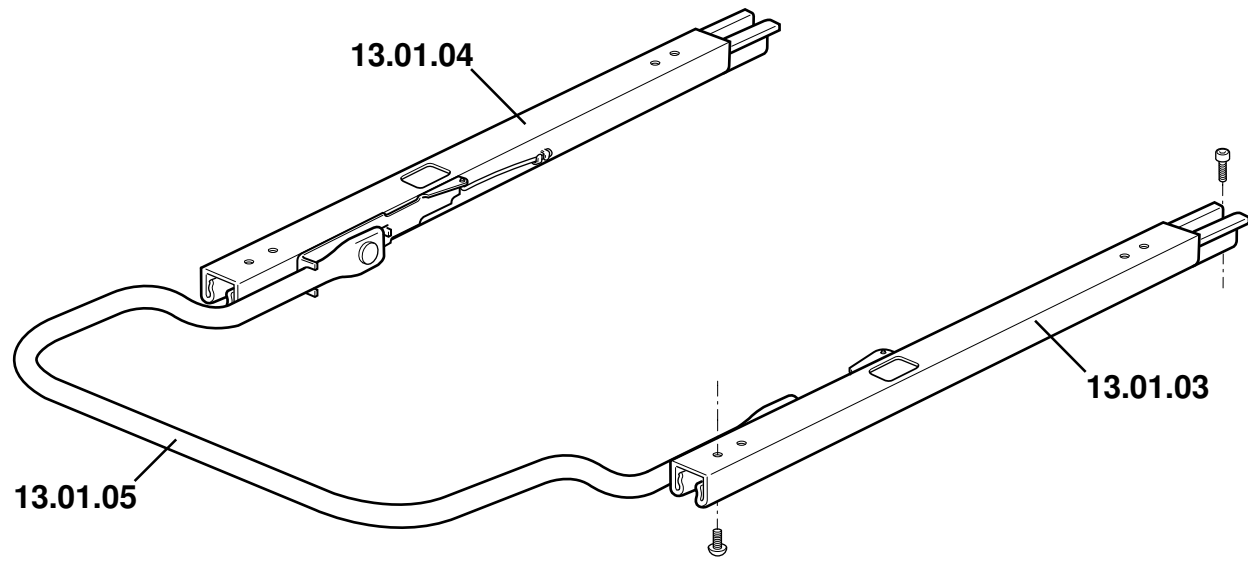


LOTUS EVORA STANDARD LABOUR TIMES.

Function Area: 12.00 Exterior Fittings

Function Code: 12.09 Exterior Driving Mirrors

Operation Code	Description	Op Type	Hours	Derivative
12.09.01-01	Mirror assembly, RH	r&r	0.6	
12.09.01-02	Mirror assembly, RH (excl. paint)	Renew	0.6	
12.09.02-01	Mirror assembly, LH	r&r	0.6	
12.09.02-02	Mirror assembly, LH (excl. paint)	Renew	0.6	
12.09.03-01	Glass, mirror, RH	r&r	0.2	
12.09.03-02	Glass, mirror, RH	Renew	0.2	
12.09.04-01	Glass, mirror, LH	r&r	0.2	
12.09.04-02	Glass, mirror, LH	Renew	0.2	
12.09.05-01	Plinth, door mirror, RH	r&r	0.6	
12.09.05-02	Plinth, door mirror, RH	Renew	0.6	
12.09.06-01	Plinth, door mirror, LH	r&r	0.6	
12.09.06-02	Plinth, door mirror, LH	Renew	0.6	
12.09.07-01	Connector, 8 way for mirror harness (one side, remake connections)	r&r	0.5	
12.09.07-02	Connector, 8 way for mirror harness (one side)	Renew	0.5	



EVORA
13.01

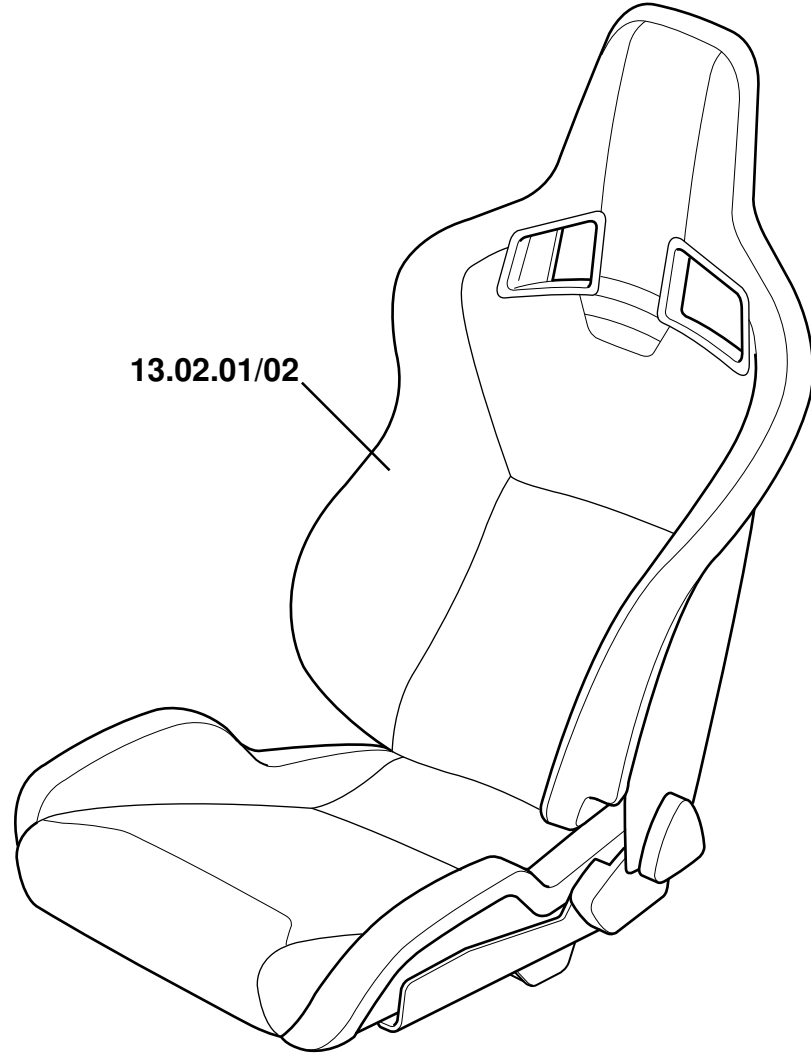


LOTUS EVORA STANDARD LABOUR TIMES.

Function Area: 13.00 Seats & Seat Belts

Function Code: 13.01 Seat Runners

Operation Code	Description	Op Type	Hours	Derivative
13.01.03-01	Seat runner, LH (one side)	r&r	0.6	
13.01.03-02	Seat runner, LH (one side)	Renew	0.6	
13.01.04-01	Seat runner, RH (one side)	r&r	0.6	
13.01.04-02	Seat runner, RH (one side)	Renew	0.6	
13.01.05-01	Release handle (one side)	r&r	0.6	
13.01.05-02	Release handle (one side)	Renew	0.6	



EVORA
13.02

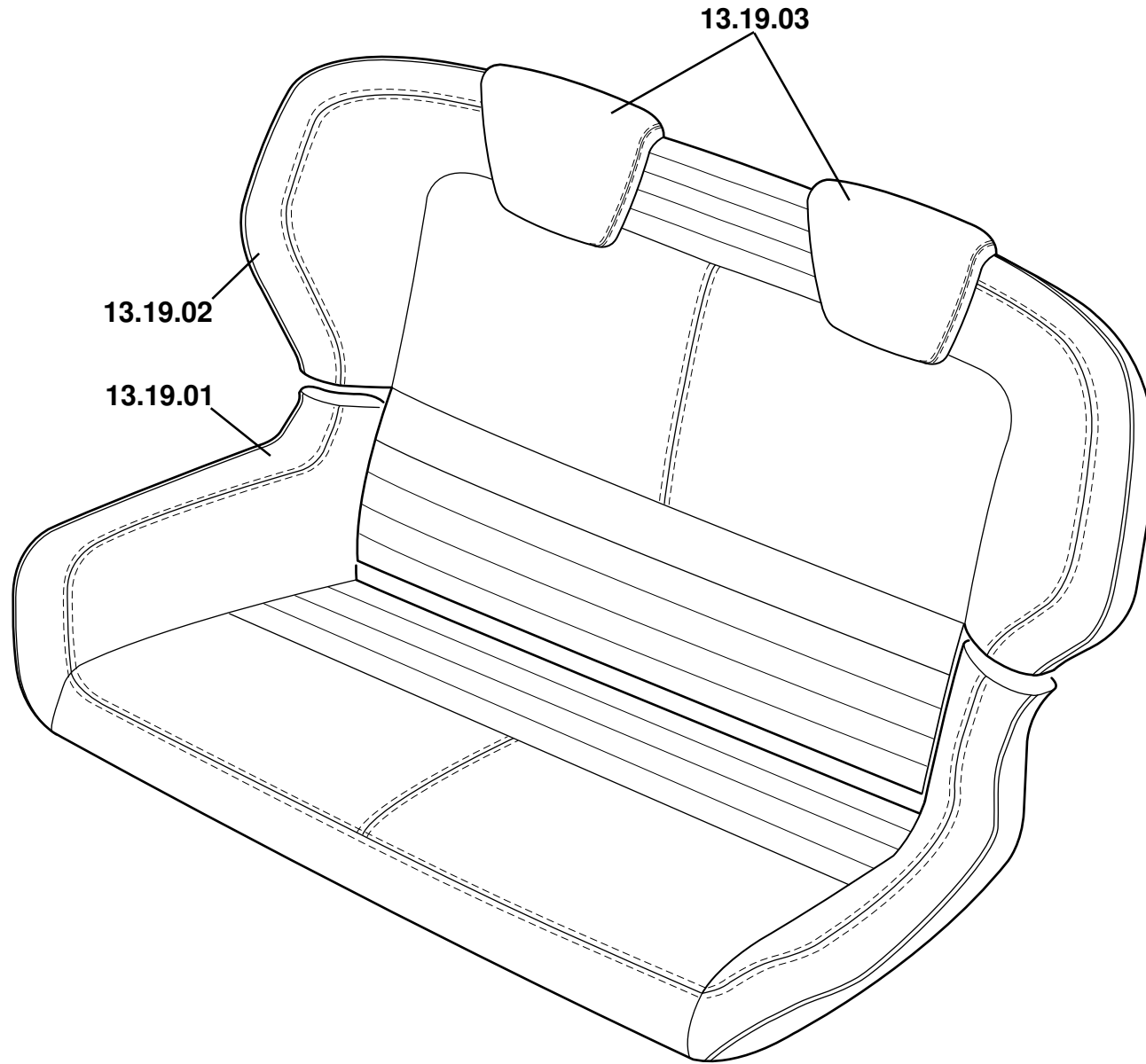


LOTUS EVORA STANDARD LABOUR TIMES.

Function Area: 13.00 Seats & Seat Belts

Function Code: 13.02 Seat Assemblies, front

Operation Code	Description	Op Type	Hours	Derivative
13.02.01-01	Seat, driver's (assy with runners)	r&r	0.4	
13.02.01-02	Seat, driver's	Renew	0.6	
13.02.02-01	Seat, passenger's (assy with runners)	r&r	0.4	
13.02.02-02	Seat, passenger's	Renew	0.6	



EVORA

13.19

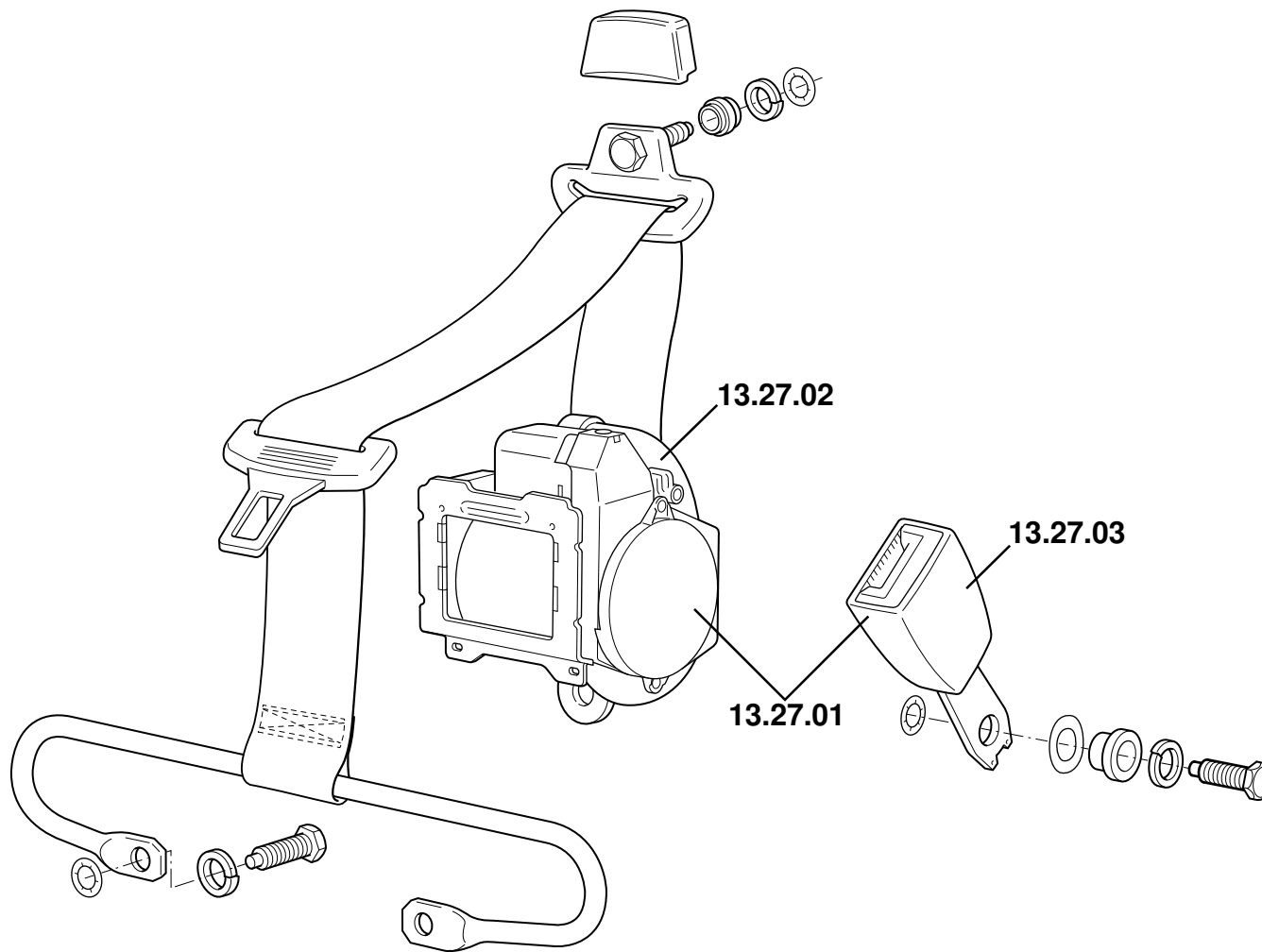


LOTUS EVORA STANDARD LABOUR TIMES.

Function Area: 13.00 Seats & Seat Belts

Function Code: 13.19 Seat Assembly, rear

Operation Code	Description	Op Type	Hours	Derivative
13.19.01-01	Rear seat cushion assembly	r&r	0.1	2+2
13.19.01-02	Rear seat cushion assembly	Renew	0.2	2+2
13.19.02-01	Rear seat backrest assembly (incl. seat base R & R)	r&r	0.2	2+2
13.19.02-02	Rear seat backrest assembly (incl. seat base R & R)	Renew	0.2	2+2
13.19.03-01	Rear seat headrest (one or both)	r&r	0.1	2+2
13.19.03-02	Rear seat headrest (one or both)	Renew	0.2	2+2



EVORA

13.27

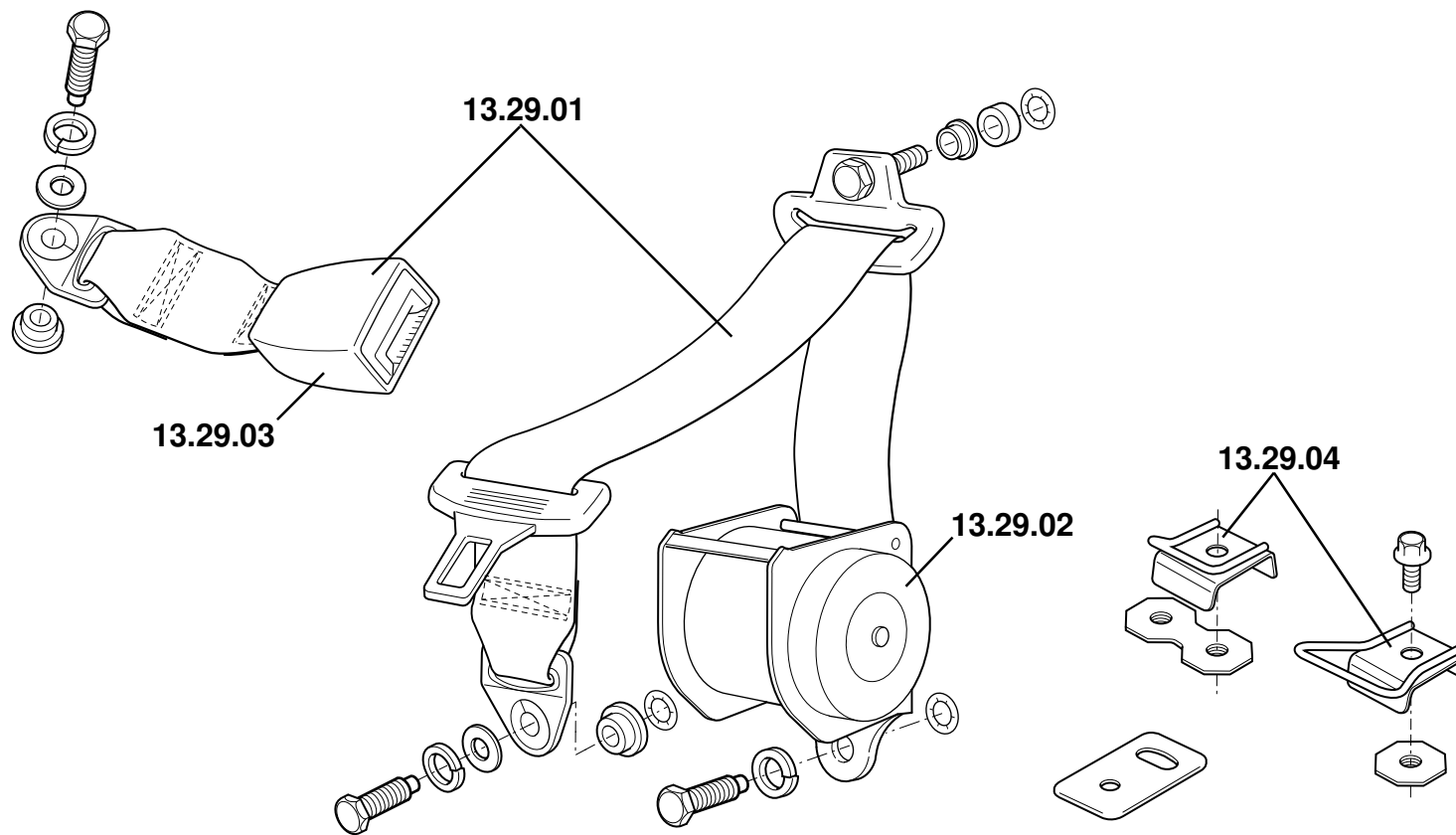


LOTUS EVORA STANDARD LABOUR TIMES.

Function Area: 13.00 Seats & Seat Belts

Function Code: 13.27 Seat Belts, front

Operation Code	Description	Op Type	Hours	Derivative
13.27.01-01	Seat belt assembly (one)	r&r	1.1	
13.27.01-02	Seat belt assembly (one)	Renew	1.1	
13.27.02-01	Seat belt reel assembly (one)	r&r	0.8	
13.27.02-02	Seat belt reel assembly (one)	Renew	0.8	
13.27.03-01	Seat belt buckle (one)	r&r	0.4	
13.27.03-02	Seat belt buckle (one)	Renew	0.4	



EVORA

13.29

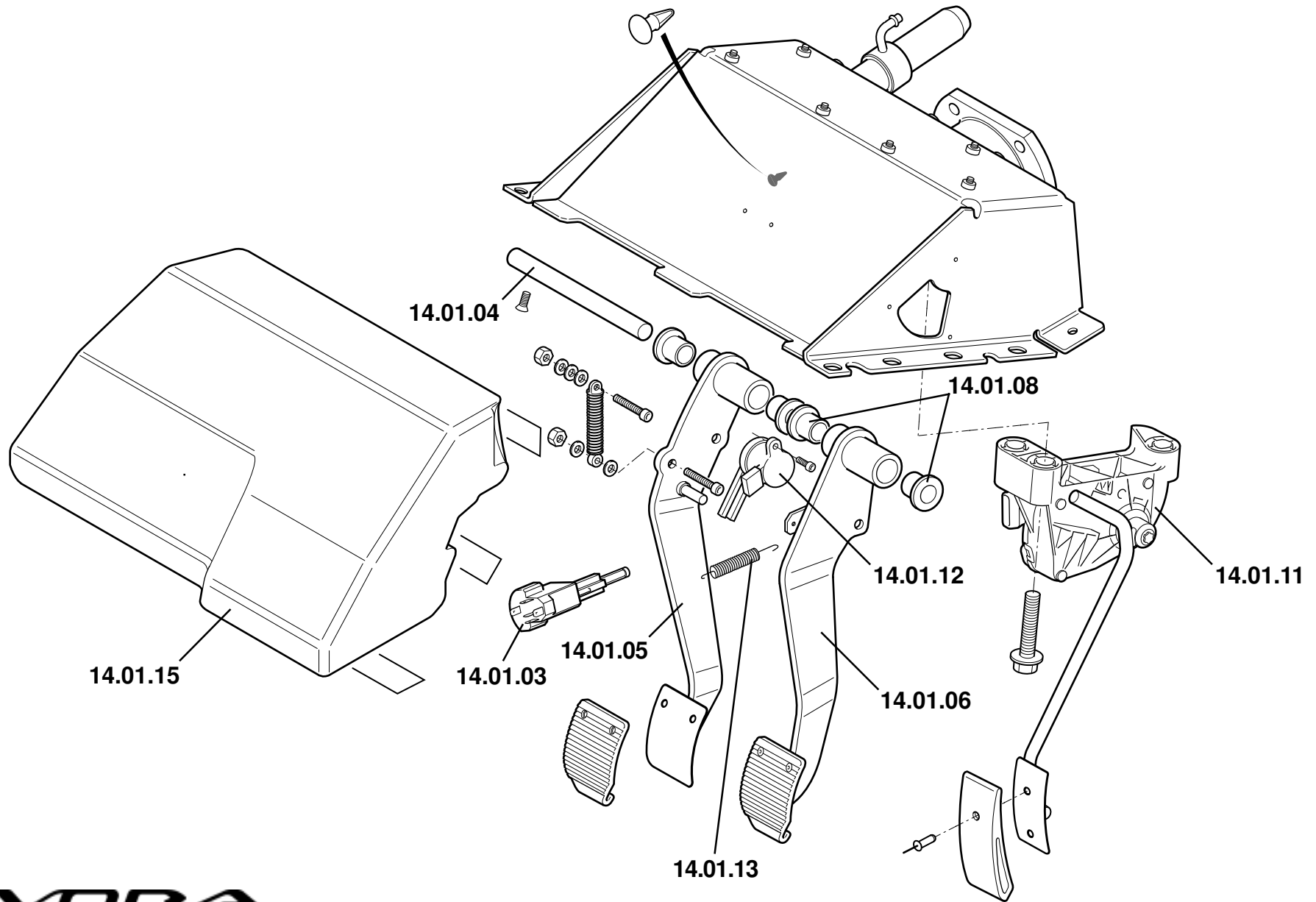


LOTUS EVORA STANDARD LABOUR TIMES.

Function Area: 13.00 Seats & Seat Belts

Function Code: 13.29 Seat Belts, rear

Operation Code	Description	Op Type	Hours	Derivative
13.29.01-01	Seat belt assembly (one)	r&r	0.8	2+2
13.29.01-02	Seat belt assembly (one)	Renew	0.8	2+2
13.29.02-01	Seat belt reel assembly (one)	r&r	0.7	2+2
13.29.02-02	Seat belt reel assembly (one)	Renew	0.7	2+2
13.29.03-01	Seat belt buckle (one or both)	r&r	0.2	2+2
13.29.03-02	Seat belt buckle (one or both)	Renew	0.2	2+2
13.29.04-02	ISOFIX child seat brackets	Renew	0.2	2+2



EVORA

14.01

Updated 28th February 2011

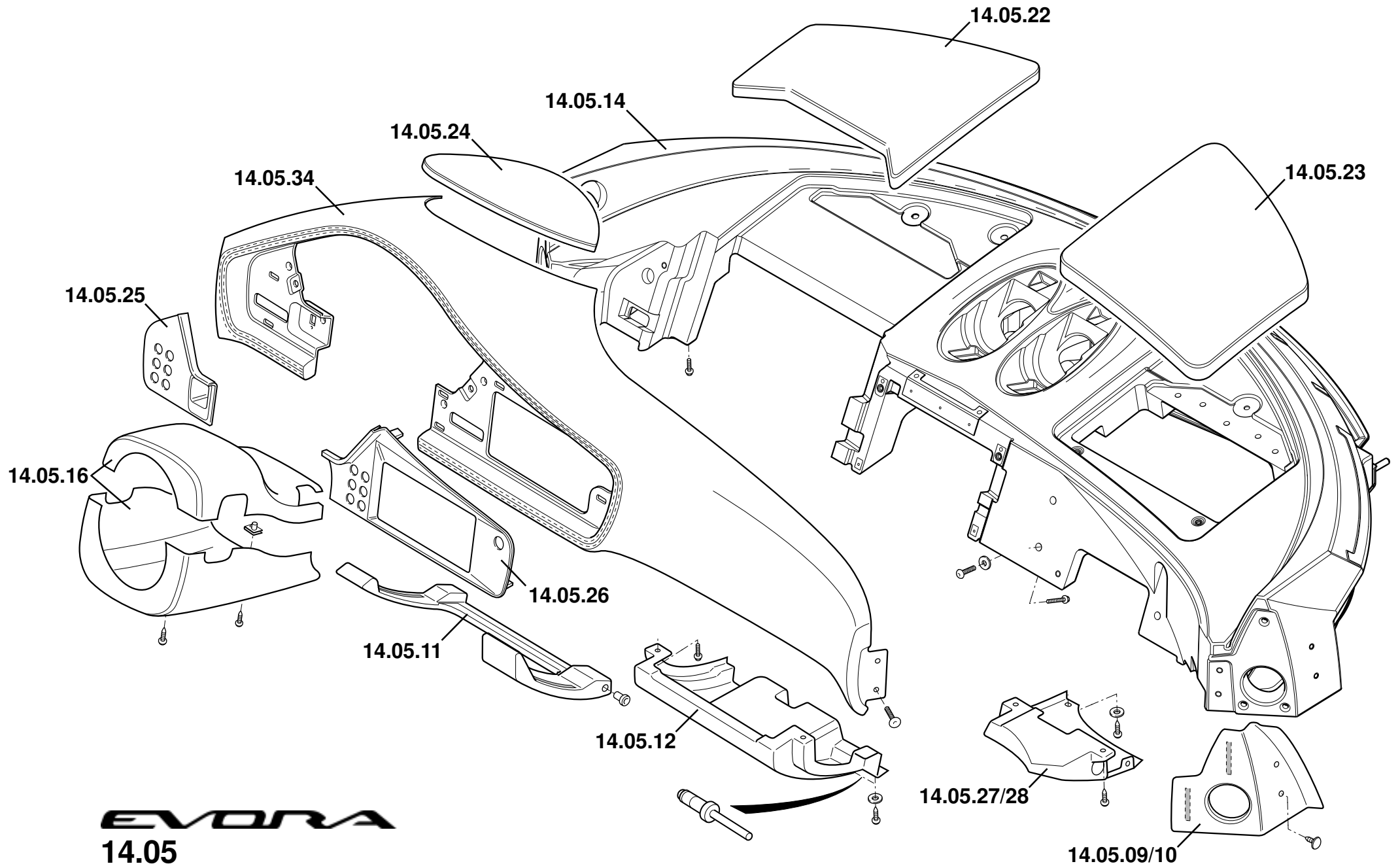


LOTUS EVORA STANDARD LABOUR TIMES.

Function Area: 14.00 Pedal Box & Fascia

Function Code: 14.01 Pedal Box, Pedals, Throttle Control

Operation Code	Description	Op Type	Hours	Derivative
14.01.03-02	Switch, brake light	Renew	0.2	
14.01.04-02	Shaft, pedal pivot	Renew	3.6	
14.01.05-02	Clutch pedal assembly	Renew	3.6	
14.01.06-02	Brake pedal assembly	Renew	3.6	
14.01.08-02	Bearing, flanged, pedal (one or all)	Renew	3.6	
14.01.11-01	Electronic throttle pedal assembly	r&r	0.5	
14.01.11-02	Electronic throttle pedal assembly	Renew	0.5	
14.01.12-01	Potentiometer, clutch	r&r	0.2	
14.01.12-02	Potentiometer, clutch	Renew	0.2	
14.01.13-02	Spring, pedal return	Renew	0.2	
14.01.15-02	Drivers footrest	Renew	0.3	



EVORA

14.05



LOTUS EVORA STANDARD LABOUR TIMES.

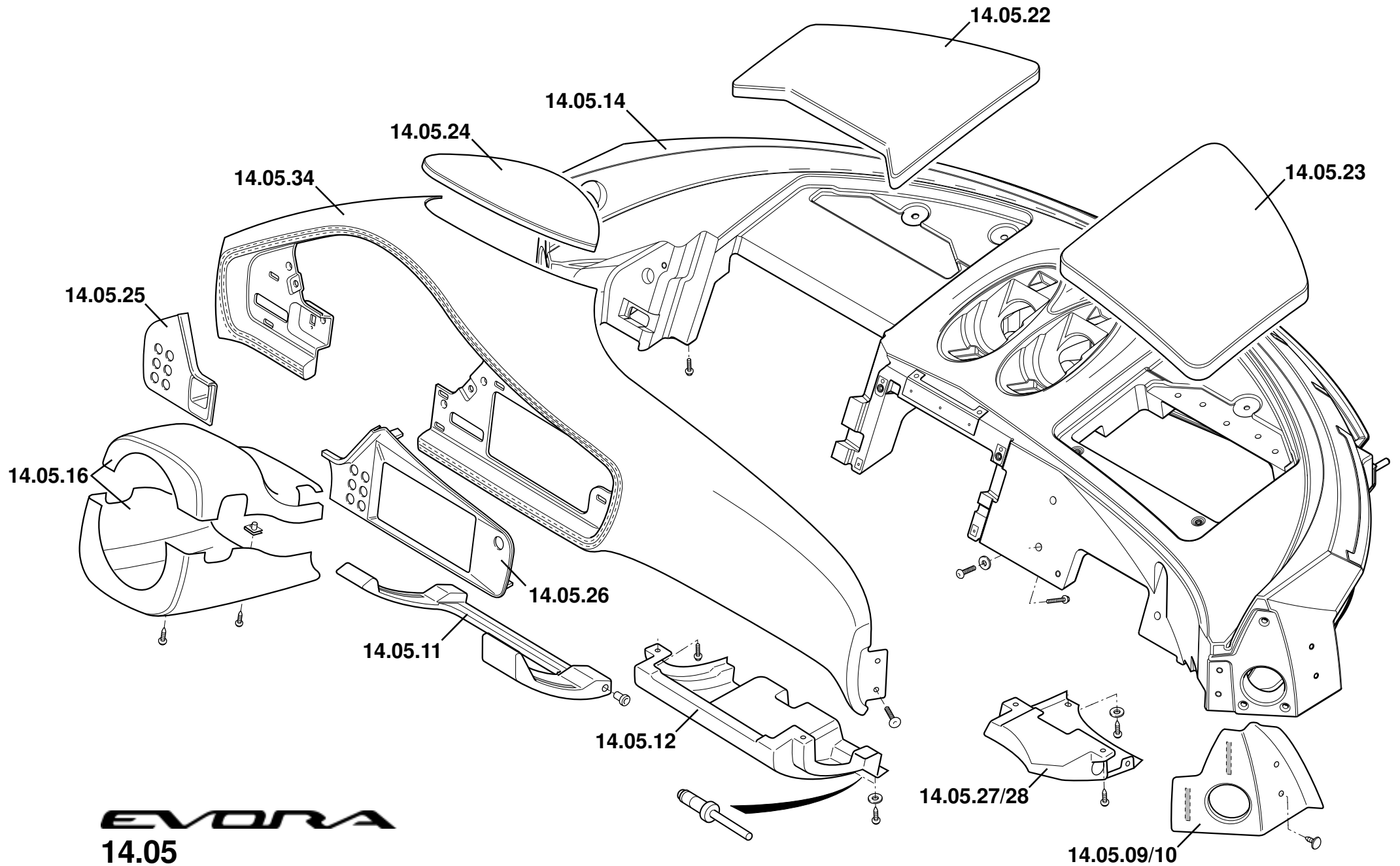
Function Area: 14.00 Pedal Box & Fascia

Function Code: 14.05 Fascia Structure & Supporting Hardware

Operation Code	Description	Op Type	Hours	Derivative
14.05.09-01	Finisher, dash end, LH	r&r	0.1	
14.05.09-02	Finisher, dash end, LH	Renew	0.1	
14.05.10-01	Finisher, dash end, RH	r&r	0.1	
14.05.10-02	Finisher, dash end, RH	Renew	0.1	
14.05.11-01	Infill panel, drivers	r&r	0.2	
14.05.11-02	Infill panel, drivers	Renew	0.2	
14.05.12-01	Infill panel, centre	r&r	0.5	
14.05.12-02	Infill panel, centre	Renew	0.5	
14.05.14-01	Main fascia panel	r&r	2.8	
14.05.14-02	Main fascia panel (includes R & R of all attaching trims incl.140524)	Renew	3.6	
14.05.16-01	Steering column shroud (both parts)	r&r	0.2	
14.05.16-02	Steering column shroud (both parts)	Renew	0.2	
14.05.22-01	Access panel, fascia top	r&r	2.9	
14.05.22-02	Access panel, fascia top	Renew	2.9	
14.05.23-01	Cover, passenger airbag	r&r	2.9	
14.05.23-02	Cover, passenger airbag	Renew	2.9	
14.05.24-01	Access panel, instrument shroud	r&r	0.1	
14.05.24-02	Access panel, instrument shroud	Renew	0.1	
14.05.25-01	Trim, switch panel, LH (with switches left in place)	r&r	0.1	
14.05.25-02	Trim, switch panel, LH	Renew	0.2	
14.05.26-01	Trim, switch panel, RH (with switches left in place)	r&r	0.1	
14.05.26-02	Trim, switch panel, RH	Renew	0.2	
14.05.27-01	Infill panel, outer, LH	r&r	0.1	
14.05.27-02	Infill panel, outer, LH	Renew	0.2	
14.05.28-01	Infill panel, outer, RH	r&r	0.1	

Function Code: 14.05, Page: 1

Updated 6th June 2012



EVORA

14.05

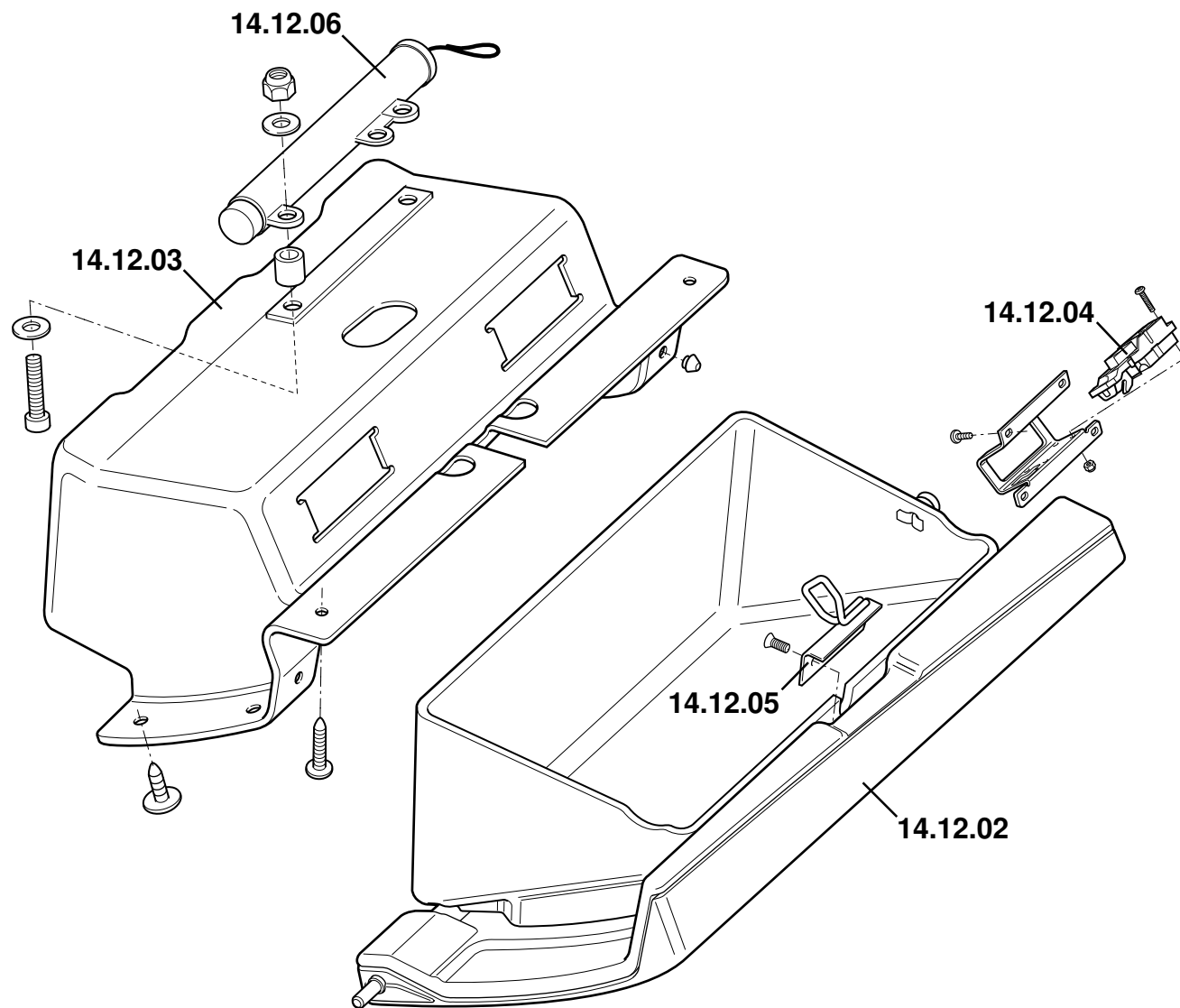


LOTUS EVORA STANDARD LABOUR TIMES.

Function Area: 14.00 Pedal Box & Fascia

Function Code: 14.05 Fascia Structure & Supporting Hardware

Operation Code	Description	Op Type	Hours	Derivative
14.05.28-02	Infill panel, outer, RH	Renew	0.2	
14.05.34-01	Fascia dash panel	r&r	1.0	
14.05.34-02	Fascia dash panel (excluding badge/mood light if fitted)	Renew	1.1	



EVORA

14.12

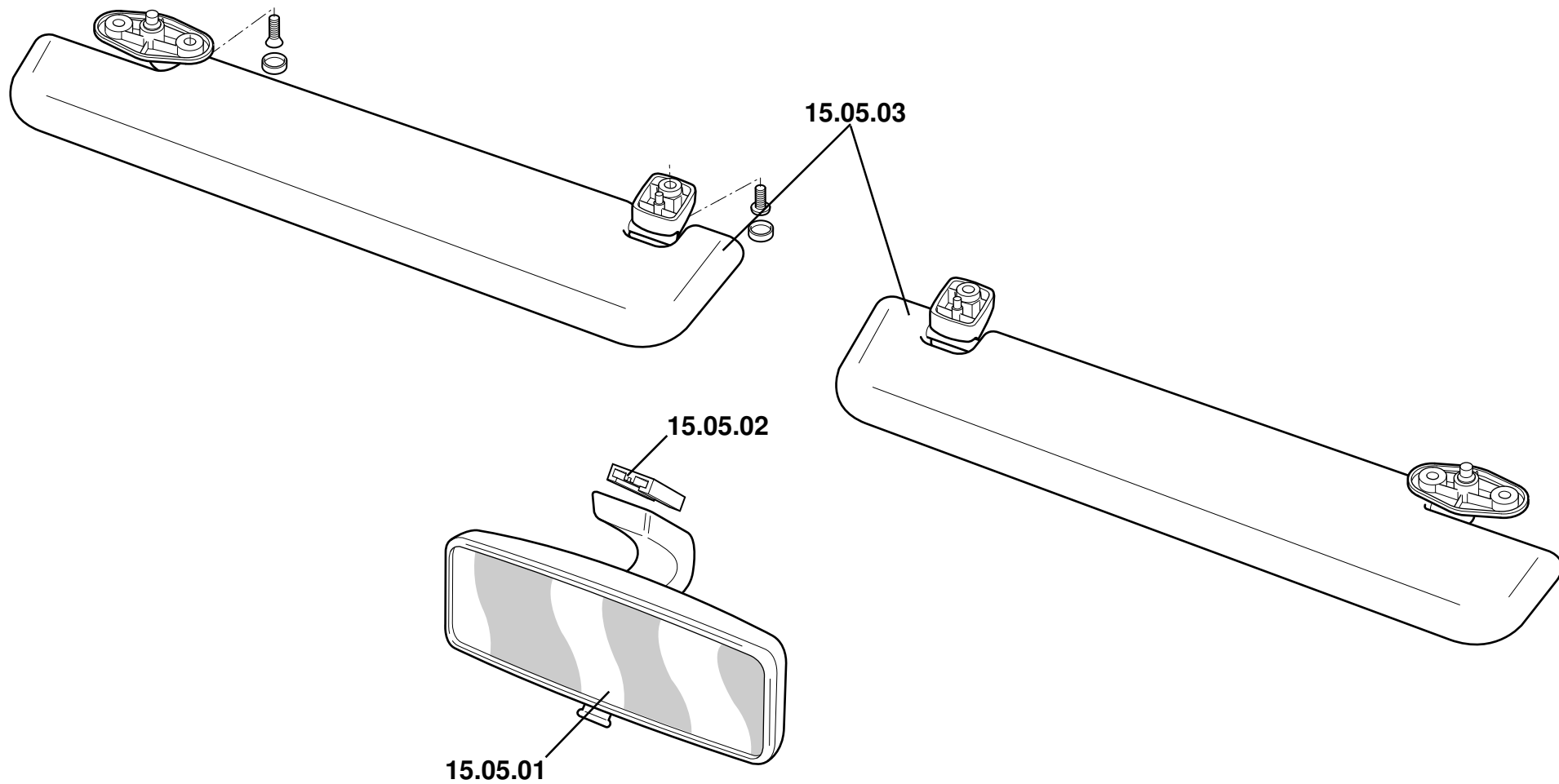


LOTUS EVORA STANDARD LABOUR TIMES.

Function Area: 14.00 Pedal Box & Fascia

Function Code: 14.12 Passenger Fascia: Glovebox Assembly

Operation Code	Description	Op Type	Hours	Derivative
14.12.02-01	Glove box lid	r&r	0.2	
14.12.02-02	Glove box lid	Renew	0.2	
14.12.03-01	Glove box inner liner	r&r	0.3	
14.12.03-02	Glove box inner liner	Renew	0.3	
14.12.04-00	Latch/actuator, glove box release	Adjust	0.3	
14.12.04-01	Latch/actuator, glove box release	r&r	0.3	
14.12.04-02	Latch/actuator, glove box release	Renew	0.3	
14.12.05-00	Striker, glove box	Adjust	0.3	
14.12.05-01	Striker, glove box	r&r	0.3	
14.12.05-02	Striker, glove box	Renew	0.3	
14.12.06-01	Glove box damper/cord assembly	r&r	0.3	
14.12.06-02	Glove box damper/cord assembly	Renew	0.3	



EVORA
15.05

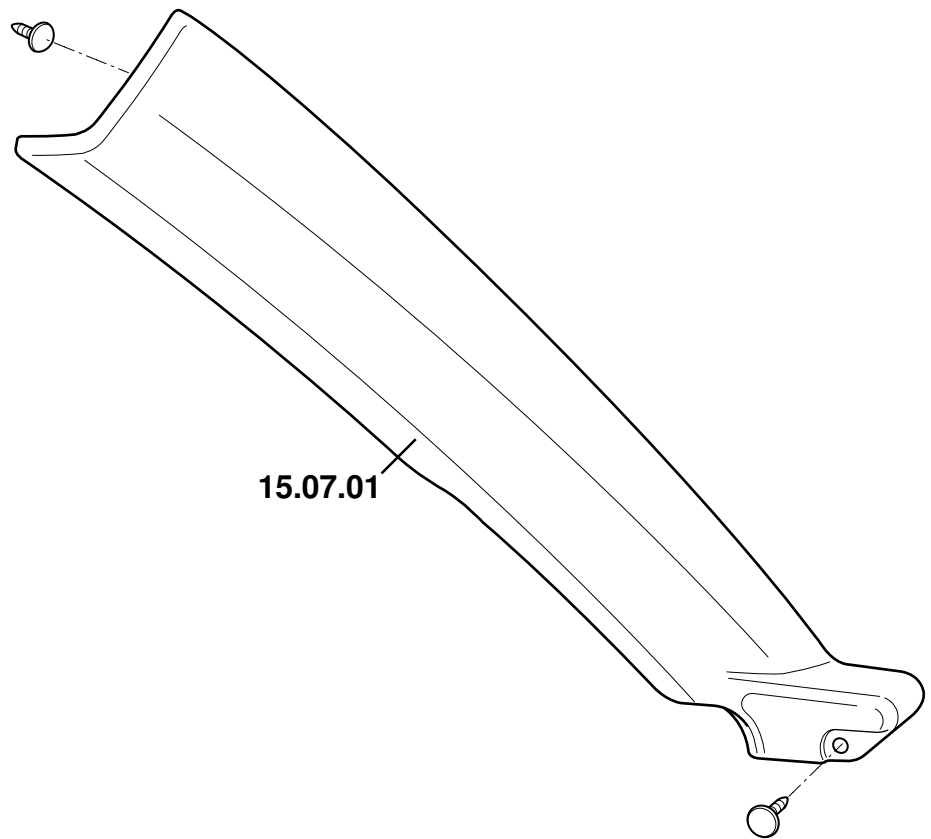


LOTUS EVORA STANDARD LABOUR TIMES.

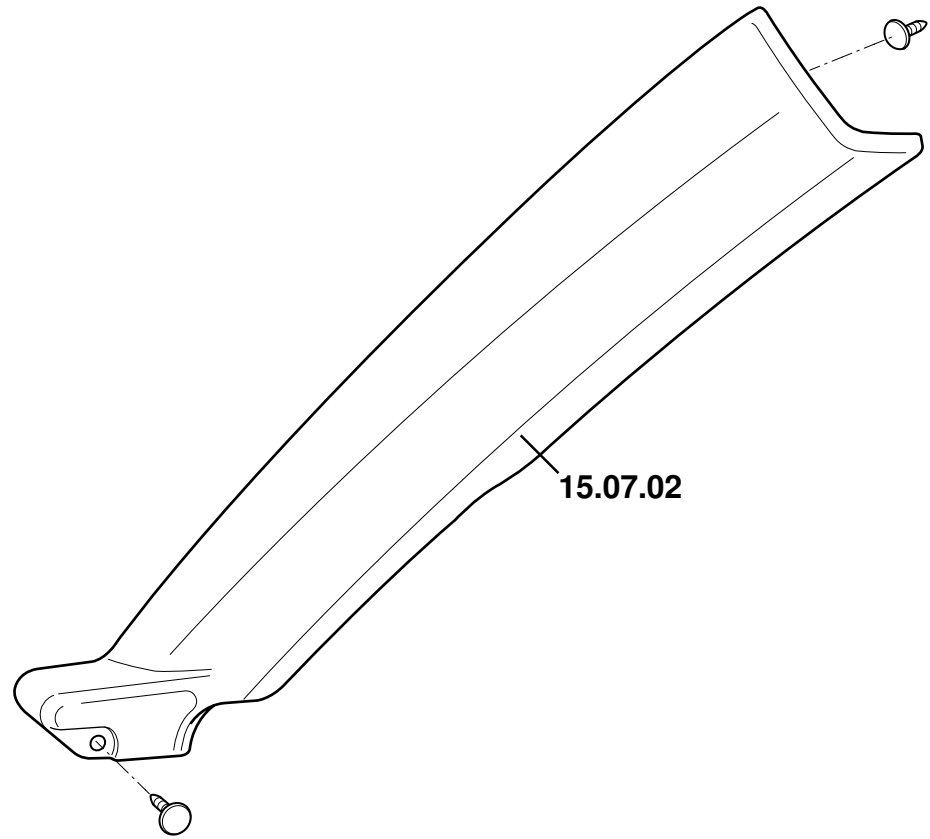
Function Area: 15.00 Interior Trim

Function Code: 15.05 Interior Driving Mirror & Sunvisors

Operation Code	Description	Op Type	Hours	Derivative
15.05.01-02	Mirror, interior rear view	Renew	0.1	
15.05.02-02	Mounting plinth, interior mirror	Renew	0.2	
15.05.03-01	Sunvisor (one)	r&r	0.1	
15.05.03-02	Sunvisor (one)	Renew	0.2	



15.07.01



15.07.02

EVORA

15.07

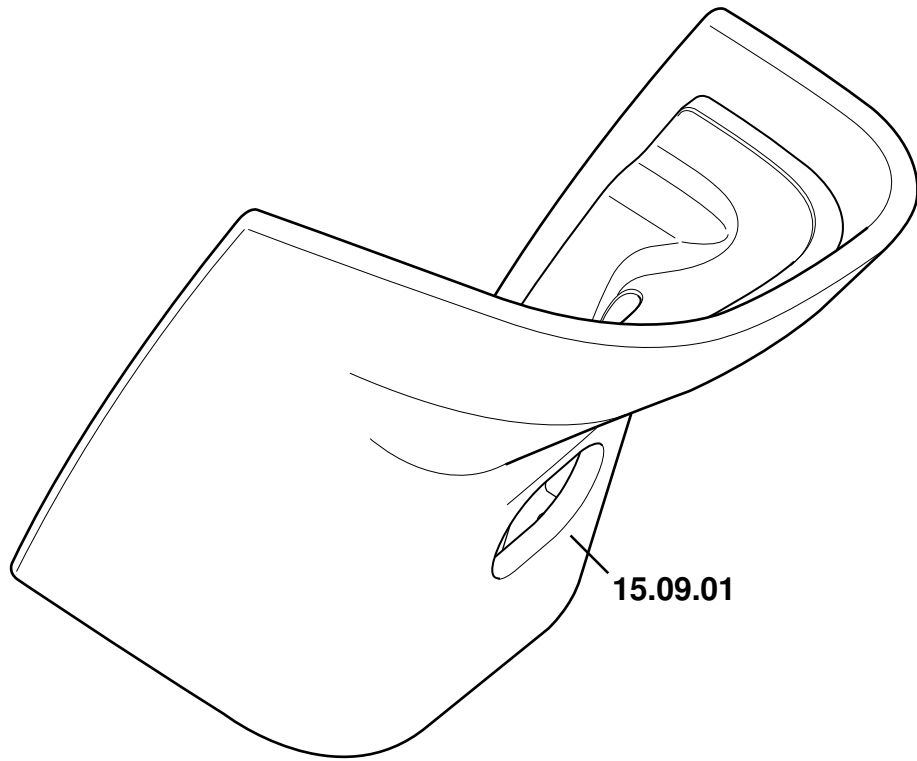


LOTUS EVORA STANDARD LABOUR TIMES.

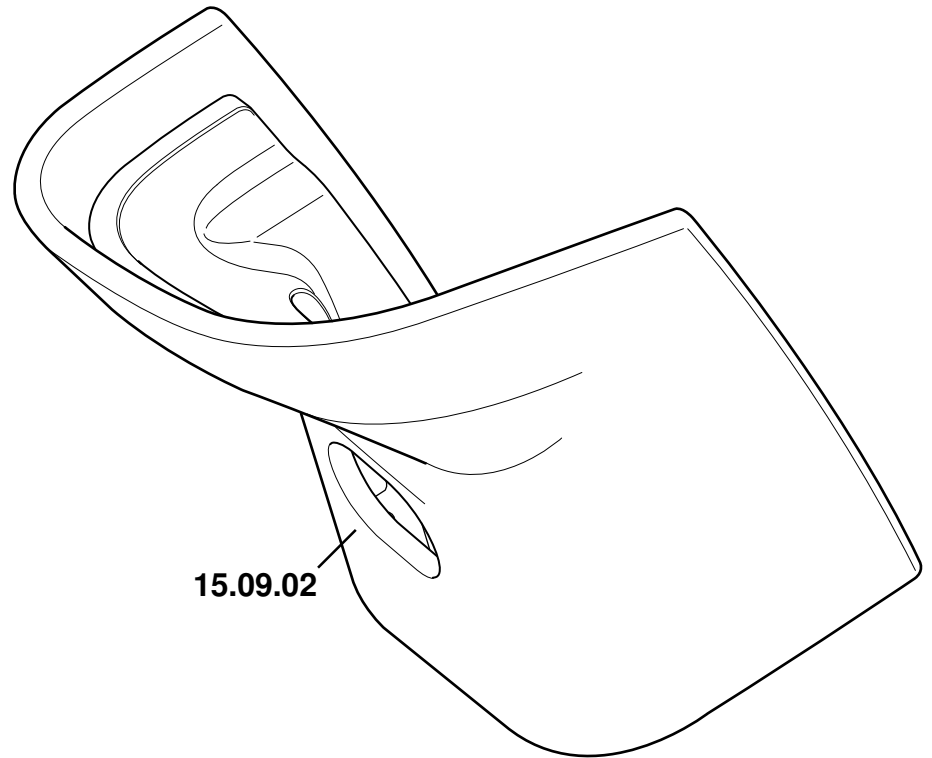
Function Area: 15.00 Interior Trim

Function Code: 15.07 'A' Pillar Interior Trim

Operation Code	Description	Op Type	Hours	Derivative
15.07.01-01	'A' pillar trim, LH	r&r	0.3	
15.07.01-02	'A' pillar trim, LH	Renew	0.3	
15.07.02-01	'A' pillar trim, RH	r&r	0.3	
15.07.02-02	'A' pillar trim, RH	Renew	0.3	



15.09.01



15.09.02

EVORA

15.09

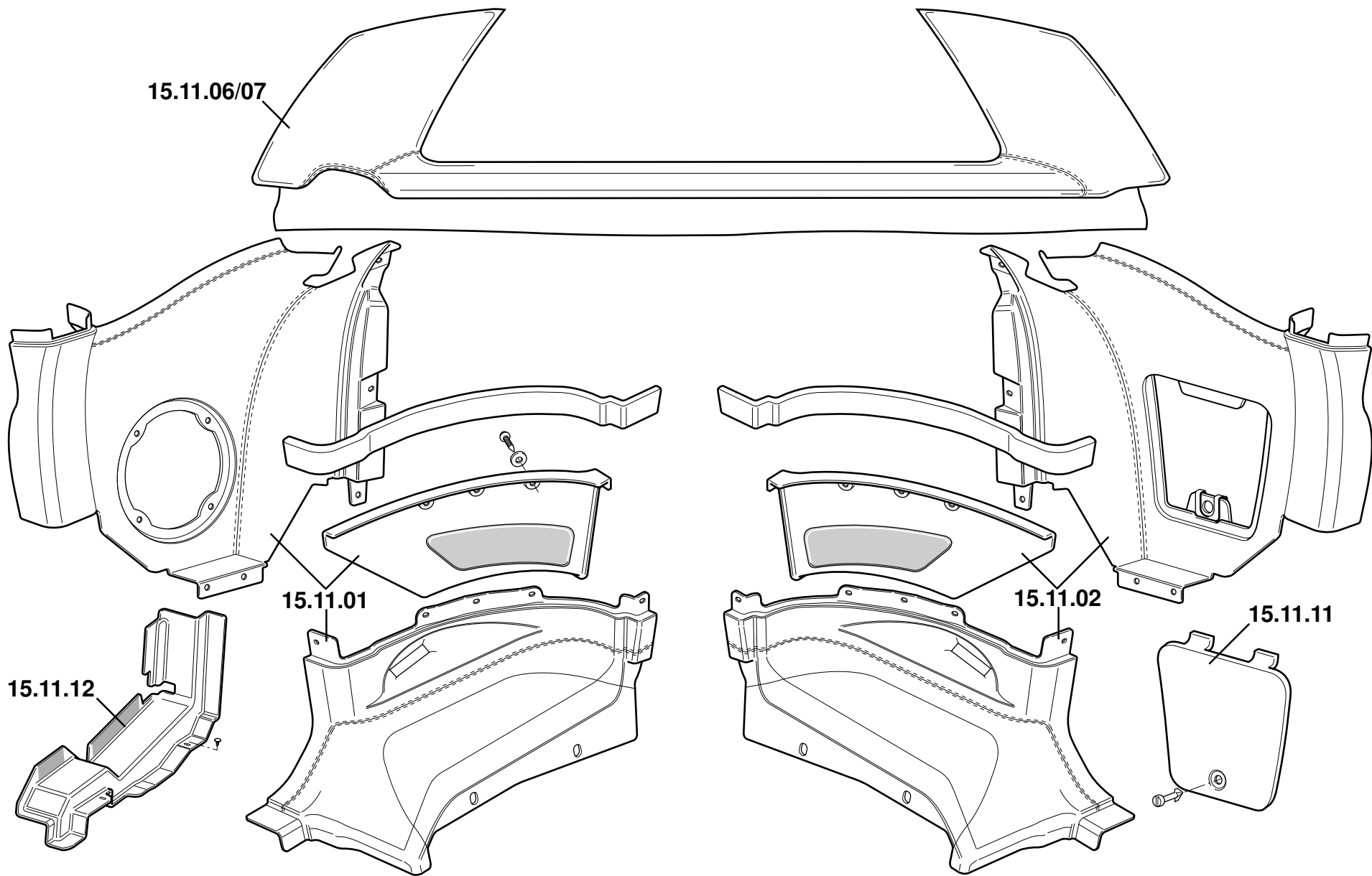


LOTUS EVORA STANDARD LABOUR TIMES.

Function Area: 15.00 Interior Trim

Function Code: 15.09 'B' & 'C' Pillar Interior Trim.

Operation Code	Description	Op Type	Hours	Derivative
15.09.01-01	'B' pillar trim, LH	r&r	0.1	
15.09.01-02	'B' pillar trim, LH	Renew	0.2	
15.09.02-01	'B' pillar trim, RH	r&r	0.1	
15.09.02-02	'B' pillar trim, RH	Renew	0.2	



EVORA

15.11

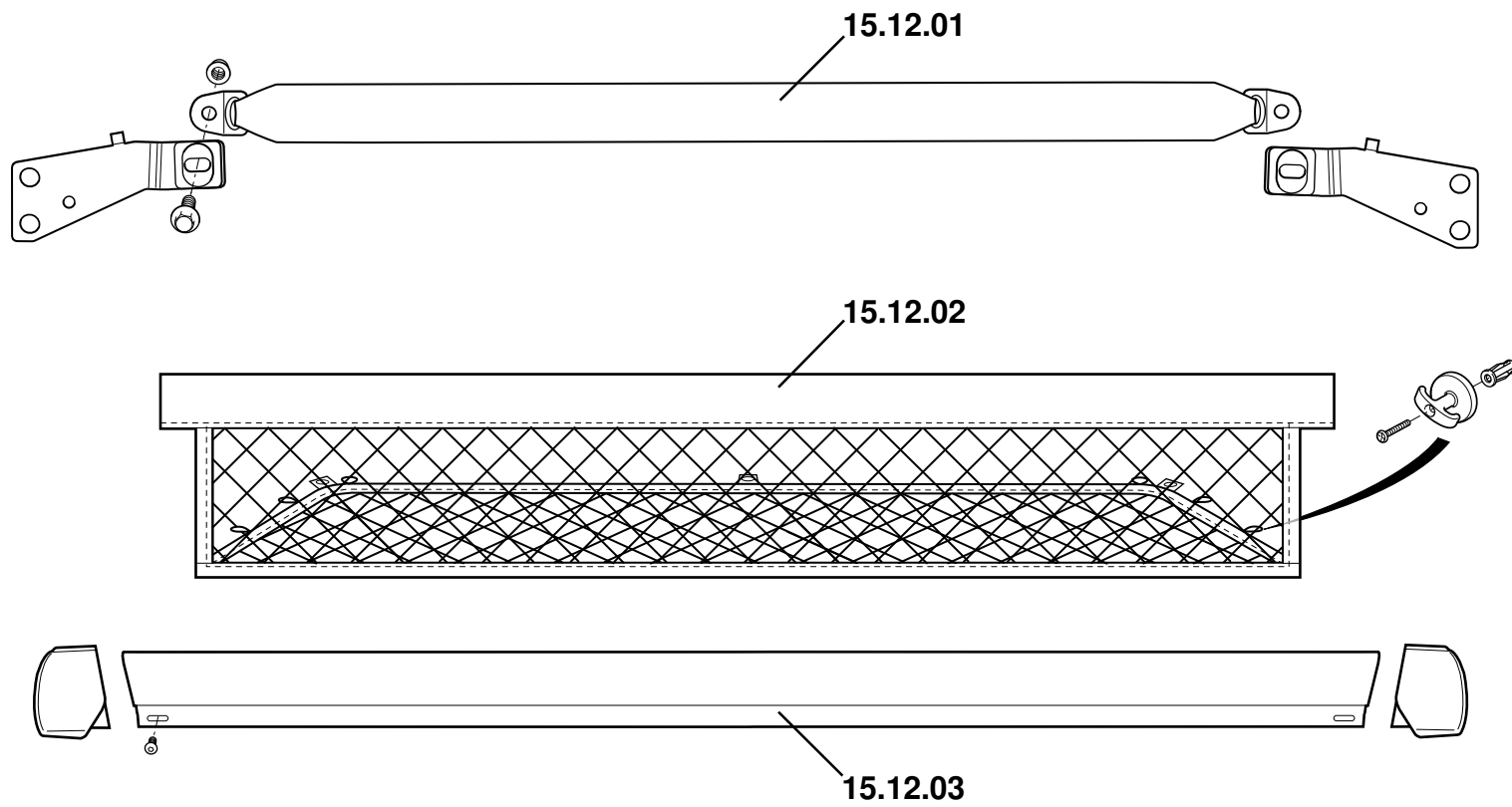


LOTUS EVORA STANDARD LABOUR TIMES.

Function Area: 15.00 Interior Trim

Function Code: 15.11 Interior Trim & Stowage Provision

Operation Code	Description	Op Type	Hours	Derivative
15.11.01-01	Rear quarter trim panel, LH (assembly)	r&r	0.6	
15.11.01-02	Rear quarter trim panel, LH (incl. seperate trim)	Renew	0.7	
15.11.02-01	Rear quarter trim panel, RH (assembly)	r&r	0.6	
15.11.02-02	Rear quarter trim panel, RH (incl. seperate trim)	Renew	0.7	
15.11.06-01	Rear bulkhead window surround trim panel	r&r	0.2	2+0
15.11.06-02	Rear bulkhead window surround trim panel	Renew	0.2	2+0
15.11.07-01	Rear bulkhead window surround trim panel (incl. seat R & R)	r&r	0.3	2+2
15.11.07-02	Rear bulkhead window surround trim panel (Incl. seat R & R)	Renew	0.3	2+2
15.11.11-02	Rear quater trim access cover	Renew	0.1	
15.11.12-02	Seatbelt rail/harness cover	Renew	0.2	



EVORA
15.12

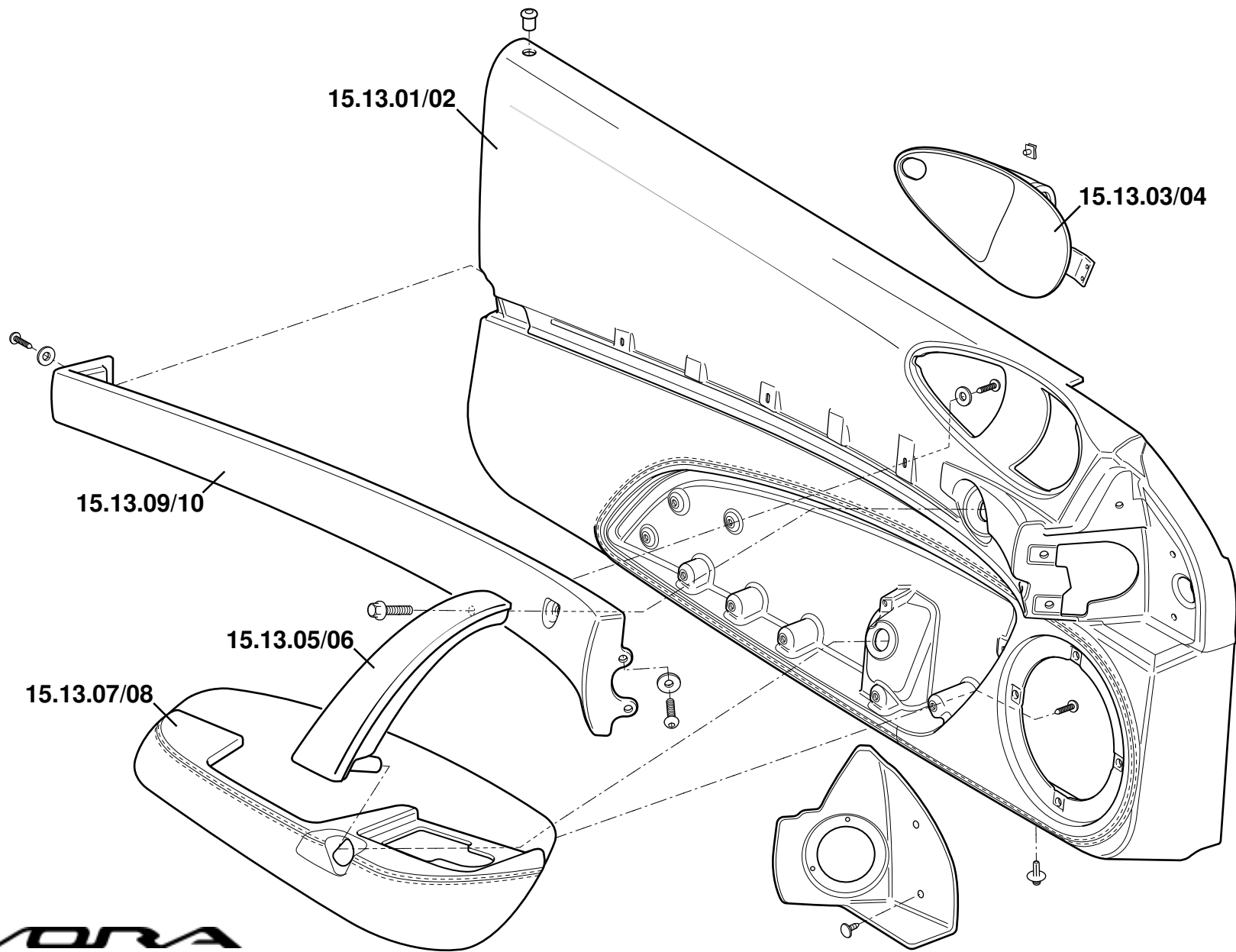


LOTUS EVORA STANDARD LABOUR TIMES.

Function Area: 15.00 Interior Trim

Function Code: 15.12 Interior Luggage Retention, Evora 2 seat

Operation Code	Description	Op Type	Hours	Derivative
15.12.01-01	Luggage retention belt	r&r	0.1	
15.12.01-02	Luggage retention belt	Renew	0.2	
15.12.02-01	Net assembly	r&r	0.1	
15.12.02-02	Net assembly	Renew	0.2	
15.12.03-01	Extrusion, luggage retention trim	r&r	0.1	
15.12.03-02	Extrusion, luggage retention trim	Renew	0.2	



EVORA
15.13

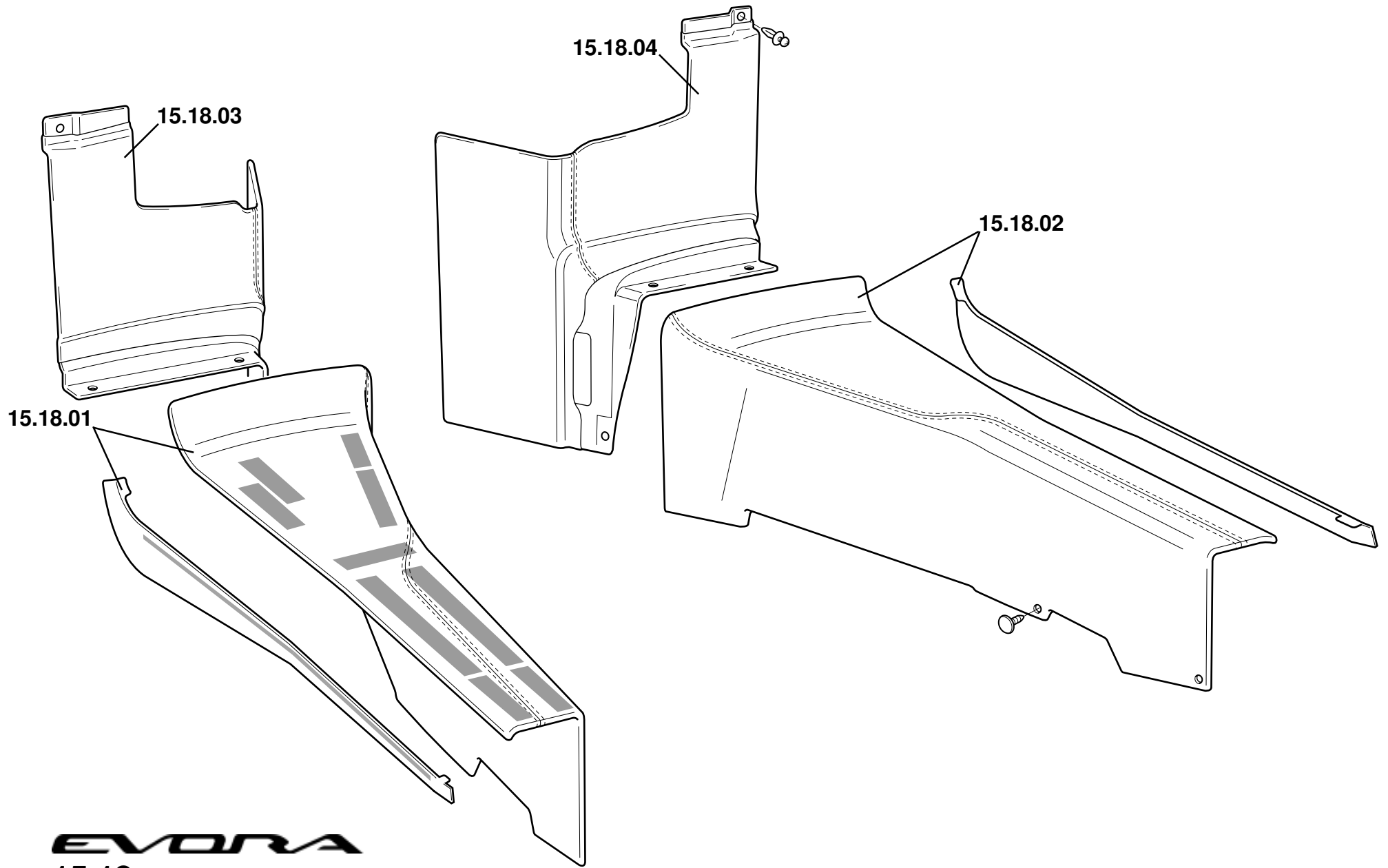


LOTUS EVORA STANDARD LABOUR TIMES.

Function Area: 15.00 Interior Trim

Function Code: 15.13 Front Door Trims

Operation Code	Description	Op Type	Hours	Derivative
15.13.01-01	Door trim, RH (assembly)	r&r	0.3	
15.13.01-02	Door trim, RH (incl. transfer of trim)	Renew	0.4	
15.13.02-01	Door trim, LH (assembly)	r&r	0.3	
15.13.02-02	Door trim, LH (incl. transfer of trim)	Renew	0.4	
15.13.03-01	Carrier, face level vent and door release handle, RH	r&r	0.3	
15.13.03-02	Carrier, face level vent and door release handle, RH	Renew	0.3	
15.13.04-01	Carrier, face level vent and door release handle, LH	r&r	0.3	
15.13.04-02	Carrier, face level vent and door release handle, LH	Renew	0.3	
15.13.05-01	Grab handle, RH	r&r	0.1	
15.13.05-02	Grab handle, RH	Renew	0.1	
15.13.06-01	Grab handle, LH	r&r	0.1	
15.13.06-02	Grab handle, LH	Renew	0.1	
15.13.07-01	Trim, switch panel, RH	r&r	0.4	
15.13.07-02	Trim, switch panel, RH	Renew	0.4	
15.13.08-01	Trim, switch panel, LH	r&r	0.4	
15.13.08-02	Trim, switch panel, LH	Renew	0.4	
15.13.09-01	Insert, door trim, RH	r&r	0.4	
15.13.09-02	Insert, door trim, RH	Renew	0.4	
15.13.10-01	Insert, door trim, LH	r&r	0.4	
15.13.10-02	Insert, door trim, LH	Renew	0.4	



EVORA
15.18

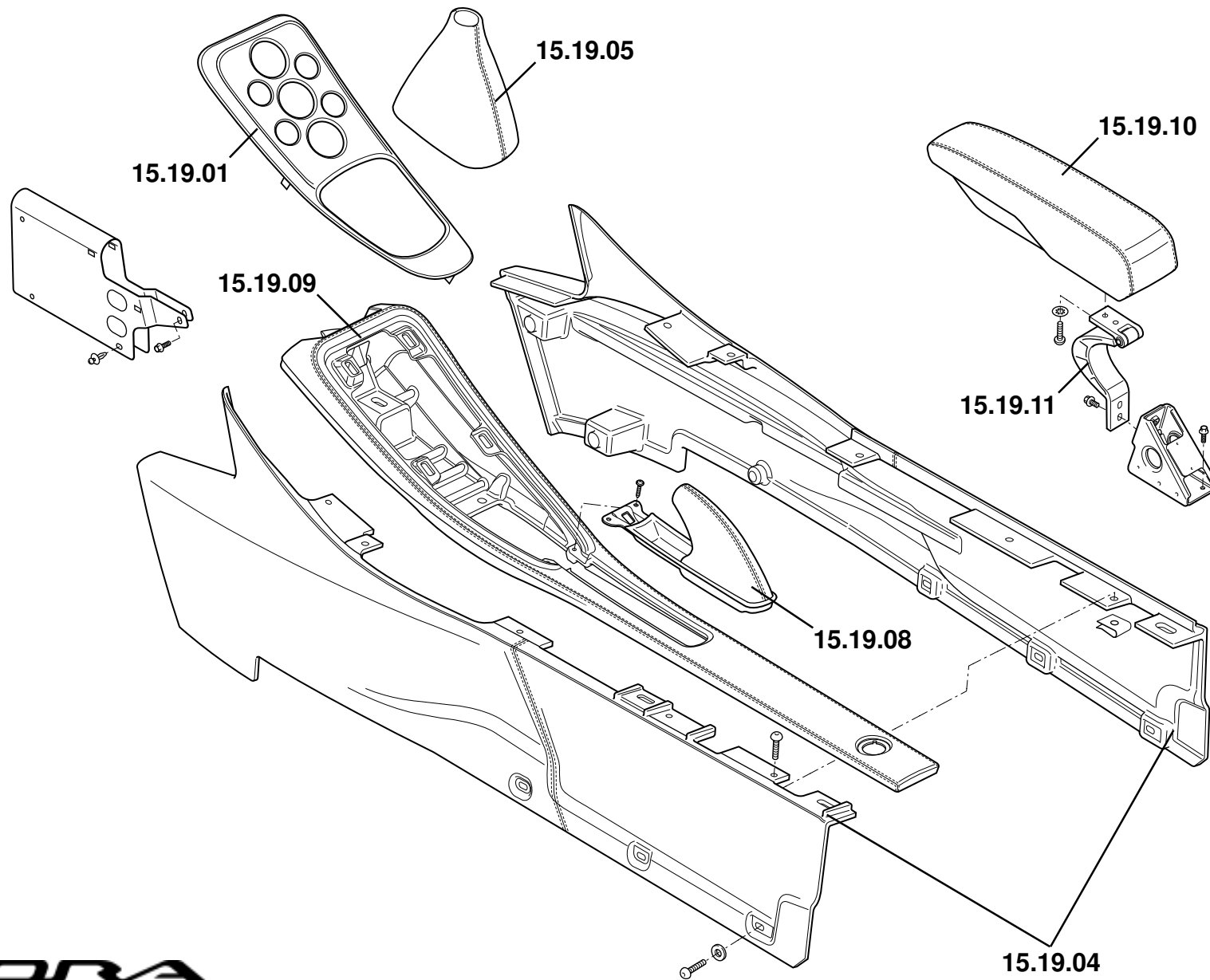


LOTUS EVORA STANDARD LABOUR TIMES.

Function Area: 15.00 Interior Trim

Function Code: 15.18 Interior Trim, Chassis Trim Panels

Operation Code	Description	Op Type	Hours	Derivative
15.18.01-01	Sill trim panel, LH	r&r	0.1	
15.18.01-02	Sill trim panel, LH	Renew	0.2	
15.18.02-01	Sill trim panel, RH	r&r	0.1	
15.18.02-02	Sill trim panel, RH	Renew	0.2	
15.18.03-01	A-pillar lower trim, LH (incl. sill trim R & R)	r&r	0.2	
15.18.03-02	A-pillar lower trim, LH (incl. sill trim R & R)	Renew	0.2	
15.18.04-01	A-pillar lower trim, RH (incl. sill trim R & R)	r&r	0.2	
15.18.04-02	A-pillar lower trim, RH (incl. sill trim R & R)	Renew	0.2	



EVORA

15.19

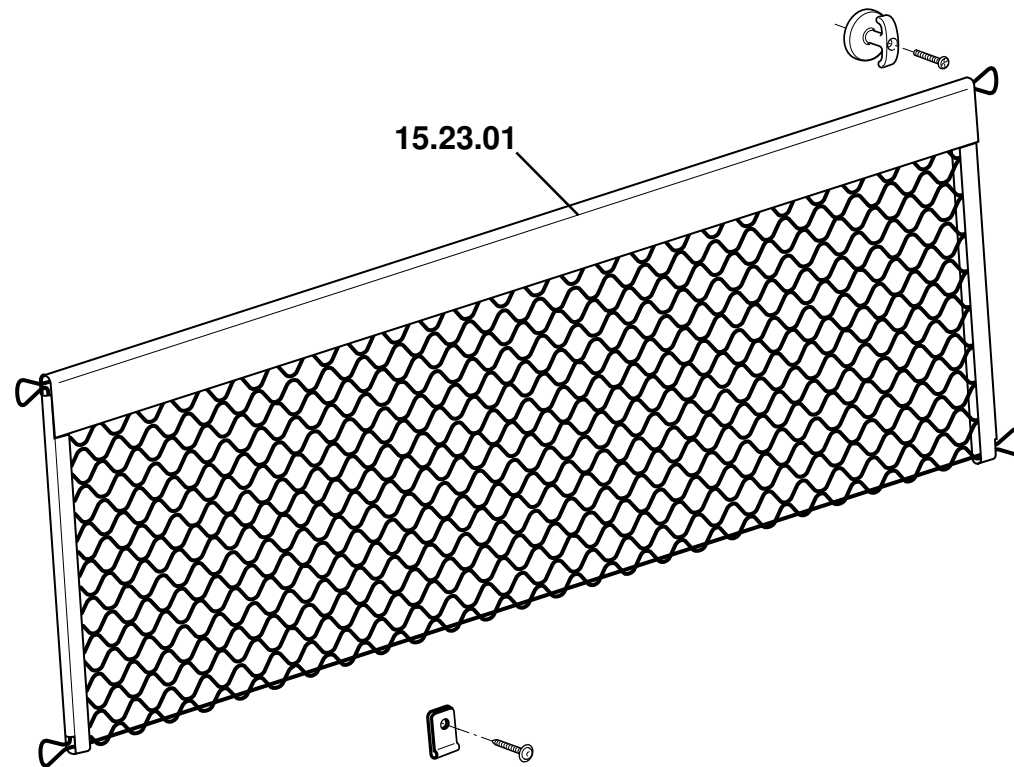


LOTUS EVORA STANDARD LABOUR TIMES.

Function Area: 15.00 Interior Trim

Function Code: 15.19 Centre Tunnel Trim, Gear Lever Gaiters/Shrouds

Operation Code	Description	Op Type	Hours	Derivative
15.19.01-01	Shroud, gear lever/heater controls (heater controls not removed)	r&r	0.2	
15.19.01-02	Shroud, gear lever/heater controls (incl. heater controls R & R)	Renew	0.3	
15.19.04-01	Shroud, gear lever/parking brake, lower (both halves)	r&r	1.2	
15.19.04-02	Shroud, gear lever/parking brake, lower (both halves)	Renew	1.2	
15.19.05-01	Gear lever gaiter (includes bonding gaiter to trim)	r&r	0.4	
15.19.05-02	Gear lever gaiter (includes bonding gaiter to trim)	Renew	0.4	
15.19.08-01	Shroud, parking brake	r&r	0.2	
15.19.08-02	Shroud, parking brake	Renew	0.2	
15.19.09-01	Shroud, gear lever/parking brake, upper, leather trimmed	r&r	0.4	
15.19.09-02	Shroud, gear lever/parking brake, upper, leather trimmed	Renew	0.4	
15.19.10-01	Arm rest pad	r&r	0.1	
15.19.10-02	Arm rest pad	Renew	0.2	
15.19.11-01	Arm rest support	r&r	0.8	
15.19.11-02	Arm rest support	Renew	0.8	



EVORA

15.23

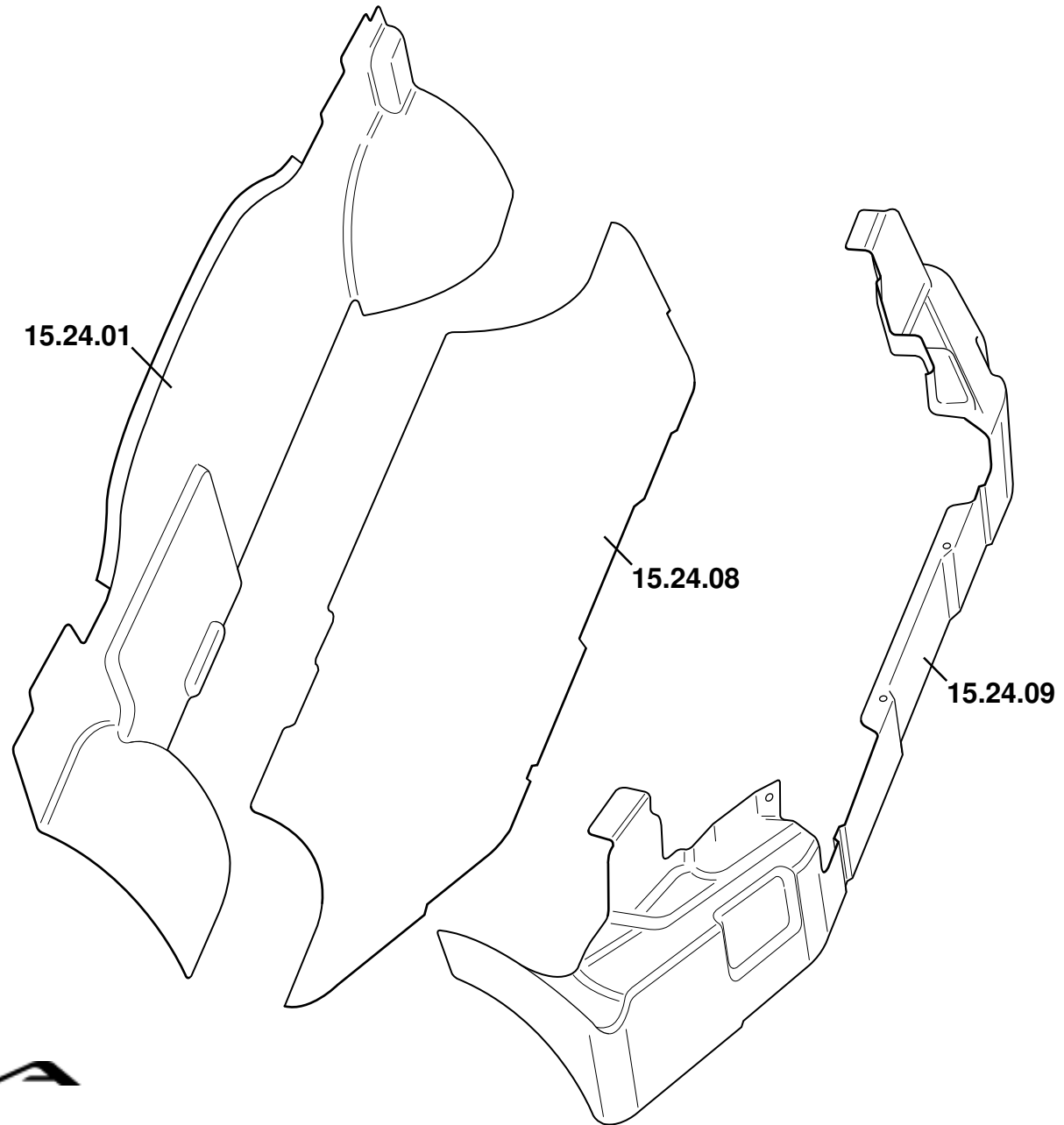


LOTUS EVORA STANDARD LABOUR TIMES.

Function Area: 15.00 Interior Trim

Function Code: 15.23 Luggage Compartment Stowage

Operation Code	Description	Op Type	Hours	Derivative
15.23.01-02	Stowage net	Renew	0.1	



EVORA

15.24



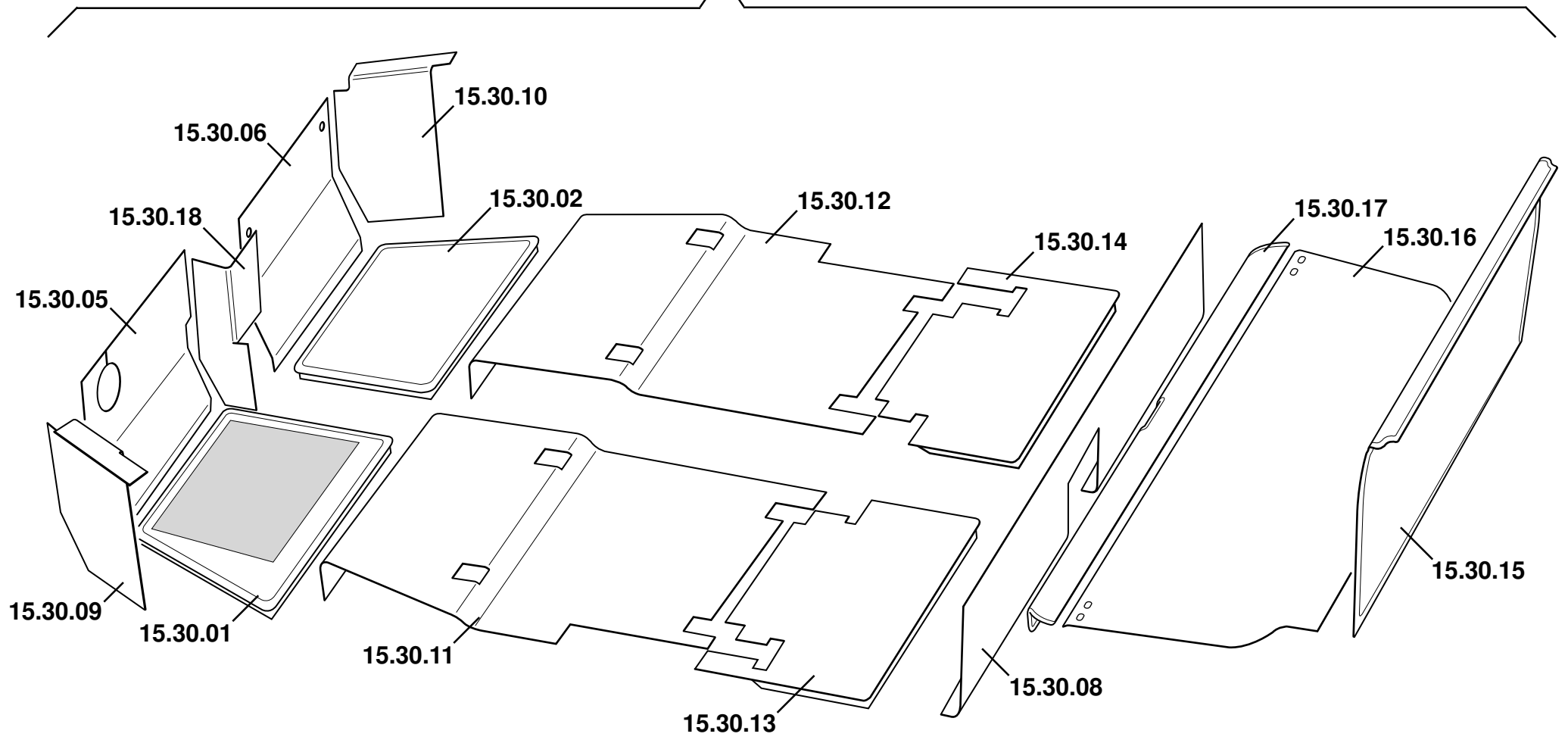
LOTUS EVORA STANDARD LABOUR TIMES.

Function Area: 15.00 Interior Trim

Function Code: 15.24 Luggage Compartment Carpet

Operation Code	Description	Op Type	Hours	Derivative
15.24.01-01	Carpet, luggage compartment, front	r&r	0.1	
15.24.01-02	Carpet, luggage compartment, front	Renew	0.2	
15.24.08-01	Carpet, luggage compartment, floor	r&r	0.1	
15.24.08-02	Carpet. luggage compartment. floor	Renew	0.2	
15.24.09-01	Carpet, luggage compartment, rear transom	r&r	0.1	
15.24.09-02	Carpet, luggage compartment, rear transom	Renew	0.2	

15.30.03



EVORA
15.30



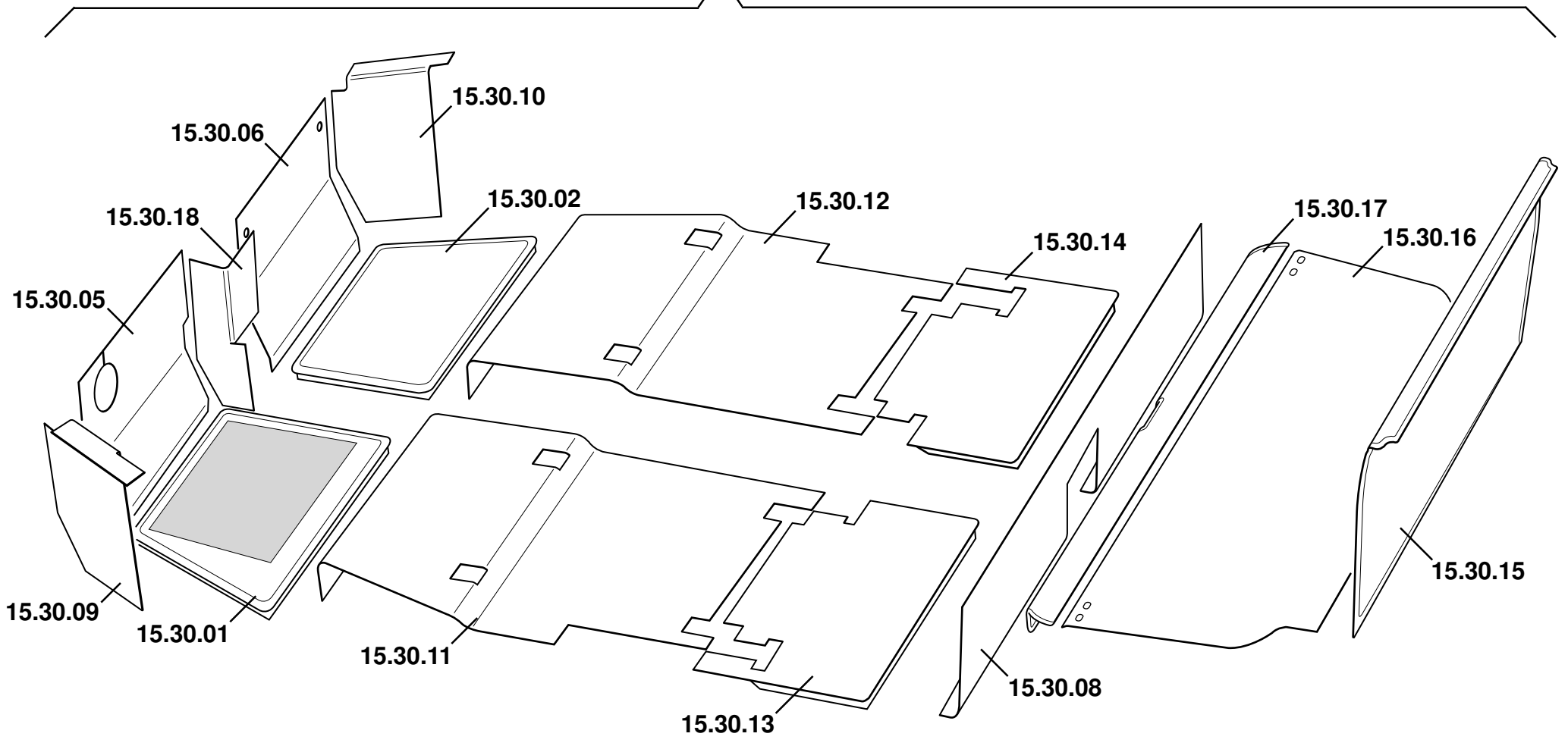
LOTUS EVORA STANDARD LABOUR TIMES.

Function Area: 15.00 Interior Trim

Function Code: 15.30 Carpeting & Mats

Operation Code	Description	Op Type	Hours	Derivative
15.30.01-01	Front floor mat, LH	r&r	0.1	
15.30.01-02	Front floor mat, LH	Renew	0.2	
15.30.02-01	Front floor mat, RH	r&r	0.1	
15.30.02-02	Front floor mat, RH	Renew	0.2	
15.30.03-01	Carpet set (includes seat/trim removal as necessary)	r&r	2.0	
15.30.03-02	Carpet set (includes seat/trim removal as necessary)	Renew	2.0	
15.30.05-01	Carpet, toe board, LH	r&r	0.1	
15.30.05-02	Carpet, toe board, LH	Renew	0.2	
15.30.06-01	Carpet, toe board, RH	r&r	0.1	
15.30.06-02	Carpet, toe board, RH	Renew	0.2	
15.30.08-01	Carpet, rear, tankbay panel	r&r	0.3	
15.30.08-02	Carpet, rear, tankbay panel	Renew	0.3	
15.30.09-01	Carpet, sill, LH	r&r	0.2	
15.30.09-02	Carpet, sill, LH	Renew	0.2	
15.30.10-01	Carpet, sill, RH	r&r	0.2	
15.30.10-02	Carpet, sill, RH	Renew	0.2	
15.30.11-01	Carpet, under seat, LH	r&r	0.4	
15.30.11-02	Carpet, under seat, LH	Renew	0.4	
15.30.12-01	Carpet, under seat, RH	r&r	0.4	
15.30.12-02	Carpet, under seat, RH	Renew	0.4	
15.30.13-01	Carpet, rear, LH	r&r	0.1	
15.30.13-02	Carpet, rear, LH	Renew	0.2	
15.30.14-01	Carpet, rear, RH	r&r	0.1	
15.30.14-02	Carpet, rear, RH	Renew	0.2	
15.30.15-01	Carpet, rear bulkhead, upper	r&r	0.1	2+0

15.30.03



EVORA

15.30

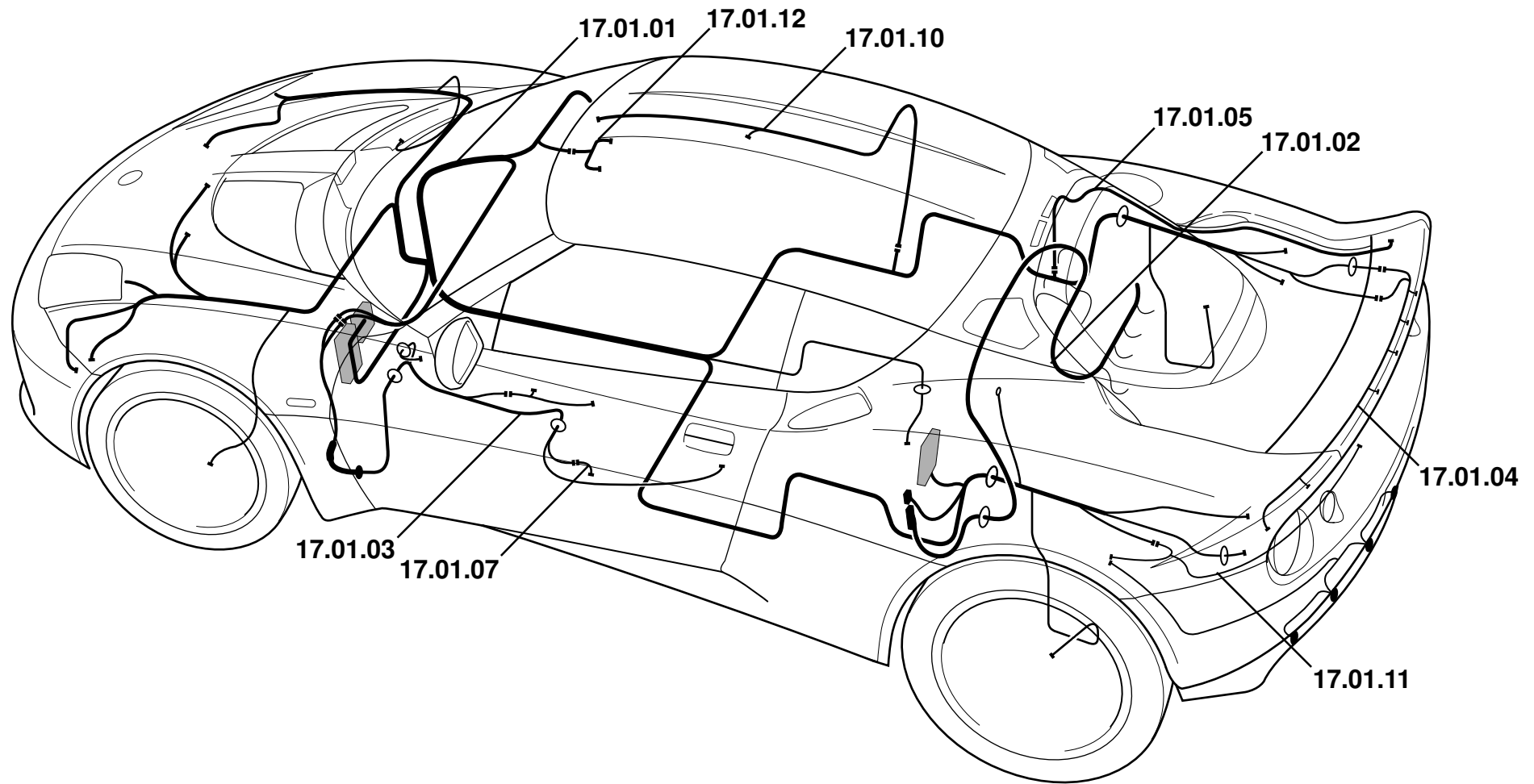


LOTUS EVORA STANDARD LABOUR TIMES.

Function Area: 15.00 Interior Trim

Function Code: 15.30 Carpeting & Mats

Operation Code	Description	Op Type	Hours	Derivative
15.30.15-02	Carpet, rear bulkhead, upper	Renew	0.2	2+0
15.30.16-01	Carpet, rear bulkhead, lower	r&r	0.1	2+0
15.30.16-02	Carpet, rear bulkhead, lower	Renew	0.2	2+0
15.30.17-01	Carpet, tankbay, upper	r&r	0.1	2+0
15.30.17-02	Carpet, tankbay, upper	Renew	0.2	2+0
15.30.18-01	Carpet, centre console	r&r	0.1	
15.30.18-02	Carpet, centre console	Renew	0.2	



EVORA

17.01



LOTUS EVORA STANDARD LABOUR TIMES.

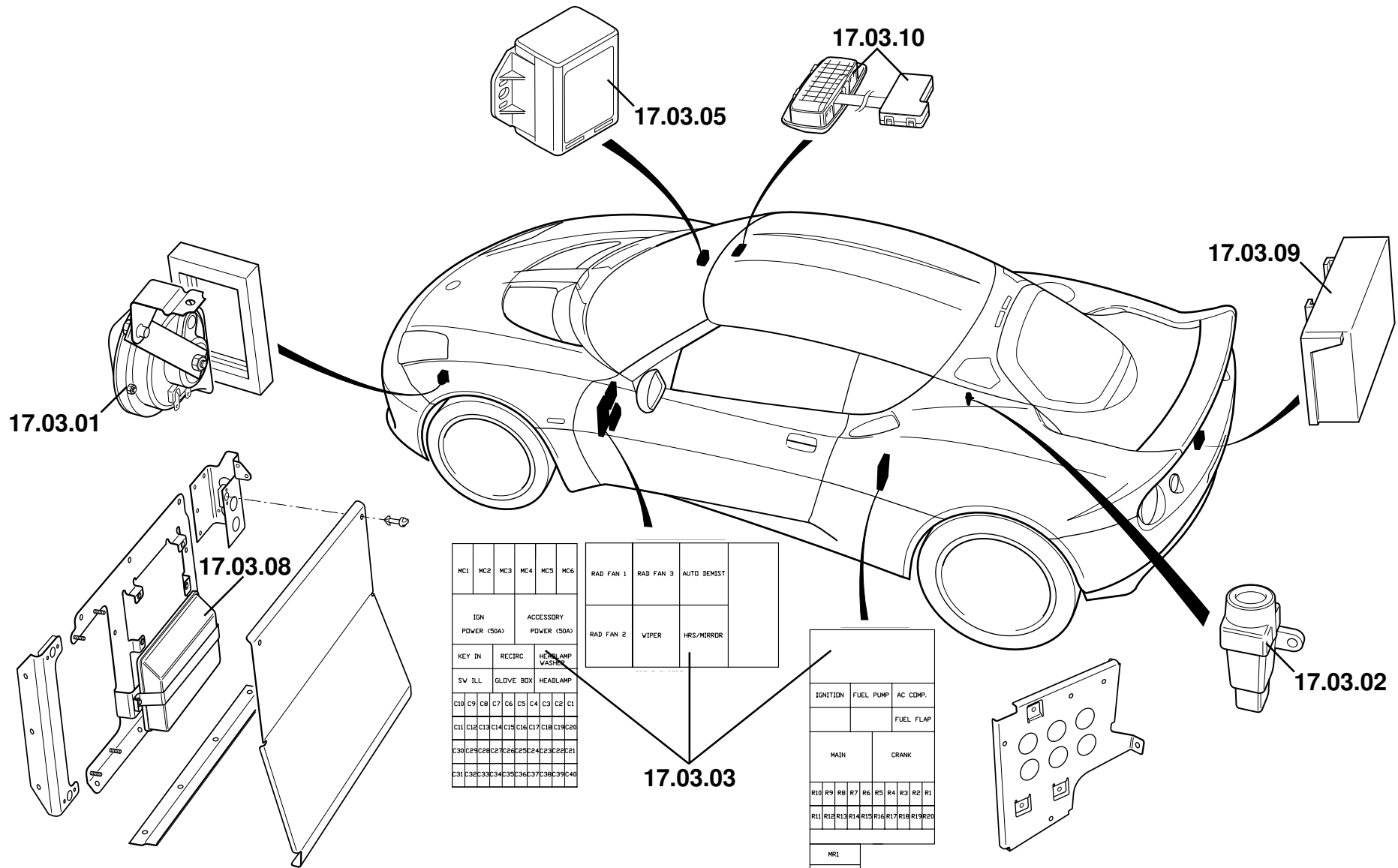
Function Area: 17.00 Electrical

Function Code: 17.01 Harnesses, Leads

Operation Code	Description	Op Type	Hours	Derivative
17.01.01-01	Harness, main/can link (remake connection + access time)	General	0.1	
17.01.01-02	Harness, main/can link	Renew	16.5	
17.01.02-01	Harness, engine (remake connection + access time)	General	0.1	
17.01.02-02	Harness, engine	Renew	5.0	
17.01.03-01	Harness, door (remake connection + access time)	General	0.1	
17.01.03-02	Harness, door (one side)	Renew	1.5	
17.01.04-01	Harness, rear (remake connection + access time)	General	0.1	
17.01.04-02	Harness, rear	Renew	0.5	
17.01.05-01	Harness, tailgate (remake connection + access time)	General	0.1	
17.01.05-02	Harness, tailgate (incl. tailgate glass R & R)	Renew	3.0	
17.01.07-01	Harness, electric window motor (remake connection + access time)	General	0.1	
17.01.07-02	Harness, electric window motor (one side)	Renew	1.0	
17.01.10-01	Harness, roof (remake connection + access time)	General	0.1	
17.01.10-02	Harness, roof	Renew	2.0	
17.01.11-01	Harness, TPMS & parking aid ECU (remake connect.+ access time)	General	0.1	
17.01.11-02	Harness, TPMS & parking aid ECU	Renew	1.0	
17.01.12-01	Harness, cruise control switches (remake connection + access time)	General	0.1	
17.01.12-02	Harness, cruise control switches	Renew	0.7	
17.01.13-01	Harness, radio (remake connection + access time)	r&r	0.1	
17.01.13-02	Harness, radio (not illustrated)	Renew	3.2	
17.01.14-01	Harness, sub woofer (remake connection + access time)	r&r	0.1	
17.01.14-02	Harness, sub woofer (not illustrated)	Renew	0.7	
17.01.99-99	Please claim relevant trim time R & R ontop of remake connection			

Function Code: 17.01, Page: 1

Updated 4th April 2013



MC1	MC2	MC3	MC4	MC5	MC6
IGN POWER (50A)		ACCESSORY POWER (50A)			
KEY IN	RECIRC	HEADLAMP WASHER		HEADLAMP	
SW ILL.	GLDVE BOX	HEADLAMP			
C10	C9	C8	C7	C6	C5
C4	C3	C2	C1		
C30	C29	C28	C27	C26	C25
C24	C23	C22	C21		
C31	C30	C29	C28	C27	C26
C25	C24	C23	C22	C21	C20

RAD FAN 1	RAD FAN 3	AUTO DEMIST
RAD FAN 2	WIPER	HRS/MIRROR

17.03.03

IGNITION		FUEL PUMP		AC COMP.	
FUEL FLAP					
MAIN			CRANK		
R10	R9	R8	R7	R6	R5
R4	R3	R2	R1		
R11	R12	R13	R14	R15	R16
R17	R18	R19	R20		
MR1					
MR2					

EVORA
17.03

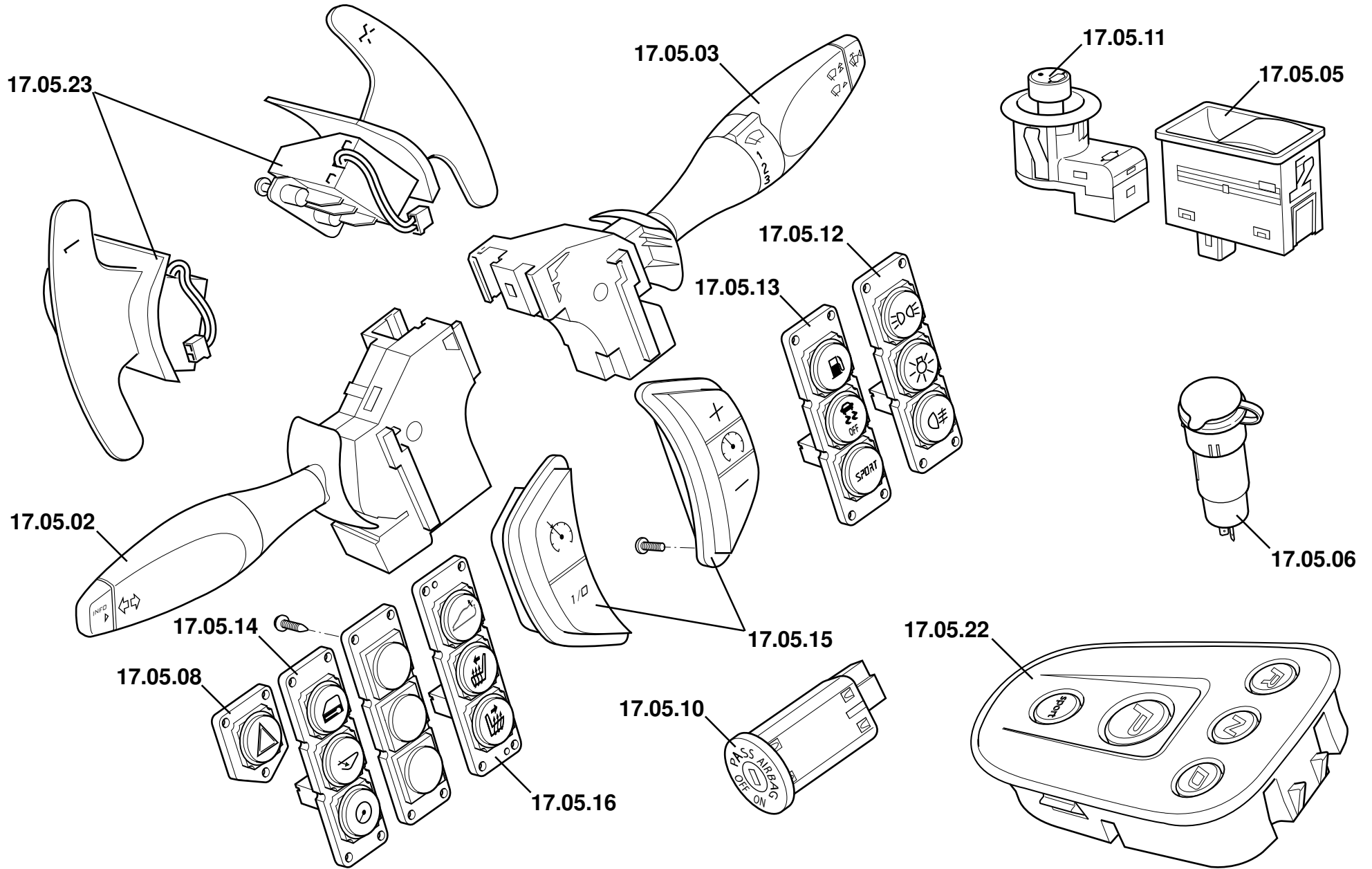


LOTUS EVORA STANDARD LABOUR TIMES.

Function Area: 17.00 Electrical

Function Code: 17.03 Horn, Inertia Switch, Modules, Fuses & Relays

Operation Code	Description	Op Type	Hours	Derivative
17.03.01-01	Horn assembly (one only)	r&r	0.3	
17.03.01-02	Horn assembly (pair as supplied)	Renew	0.4	
17.03.02-01	Inertia switch	r&r	0.2	
17.03.02-02	Inertia switch	Renew	0.2	
17.03.03-01	Fuse and relays (any) (remake connection)	General	0.2	
17.03.03-02	Fuse and relays (any)	Renew	0.2	
17.03.05-01	Module, door locking	r&r	0.2	
17.03.05-02	Module, door locking	Renew	0.2	
17.03.08-01	Module, intergrated control	r&r	0.3	
17.03.08-02	Module, integrated control	Renew	0.3	
17.03.09-01	Module, TPMS	r&r	0.2	
17.03.09-02	Module, TPMS	Renew	0.2	
17.03.10-01	Homelink kit	r&r	1.4	
17.03.10-02	Homelink kit	Renew	1.4	



EVORA
17.05

Updated 9th June 2011



LOTUS EVORA STANDARD LABOUR TIMES.

Function Area: 17.00 Electrical

Function Code: 17.05 Interior Switches, Auxiliary Power Socket

Operation Code	Description	Op Type	Hours	Derivative
17.05.02-01	Switch, indicators/dipswitch	r&r	0.4	
17.05.02-02	Switch, indicators/dipswitch	Renew	0.4	
17.05.03-01	Switch, wash/wipe	r&r	0.4	
17.05.03-02	Switch, wash/wipe	Renew	0.4	
17.05.05-01	Switch, electric window lift (one side)	r&r	0.1	
17.05.05-02	Switch, electric window lift (one side)	Renew	0.2	
17.05.06-01	Auxillary power socket	r&r	0.1	
17.05.06-02	Auxillary power socket	Renew	0.2	
17.05.07-01	Ignition switch (not illustrated)	r&r	0.4	
17.05.07-02	Ignition switch (not illustrated)	Renew	0.4	
17.05.08-01	Switch, hazzard lamps	r&r	0.2	
17.05.08-02	Switch, hazzard lamps	Renew	0.2	
17.05.10-01	Switch, airbag defeat	r&r	0.2	
17.05.10-02	Switch, airbag defeat	Renew	0.2	
17.05.11-01	Switch, door mirror control	r&r	0.1	
17.05.11-02	Switch, door mirror control	Renew	0.2	
17.05.12-01	Switch panel, lighting	r&r	0.2	
17.05.12-02	Switch panel, lighting	Renew	0.2	
17.05.13-01	Switch panel, driving (fuel flap, traction control, sport)	r&r	0.2	
17.05.13-02	Switch panel, driving (fuel flap, traction control, sport)	Renew	0.2	
17.05.14-01	Switch panel, car system (C/L, glovebox, dimmer)	r&r	0.2	
17.05.14-02	Switch panel, car system (C/L, glovebox, dimmer)	Renew	0.2	
17.05.15-01	Switch, cruise control (one or both)	r&r	0.8	
17.05.15-02	Switch, cruise control (one or both)	Renew	0.8	
17.05.16-01	Switch panel, comfort (tailgate release, heated seats)	r&r	0.2	

Function Code: 17.05, Page: 1

Updated 9th June 2011

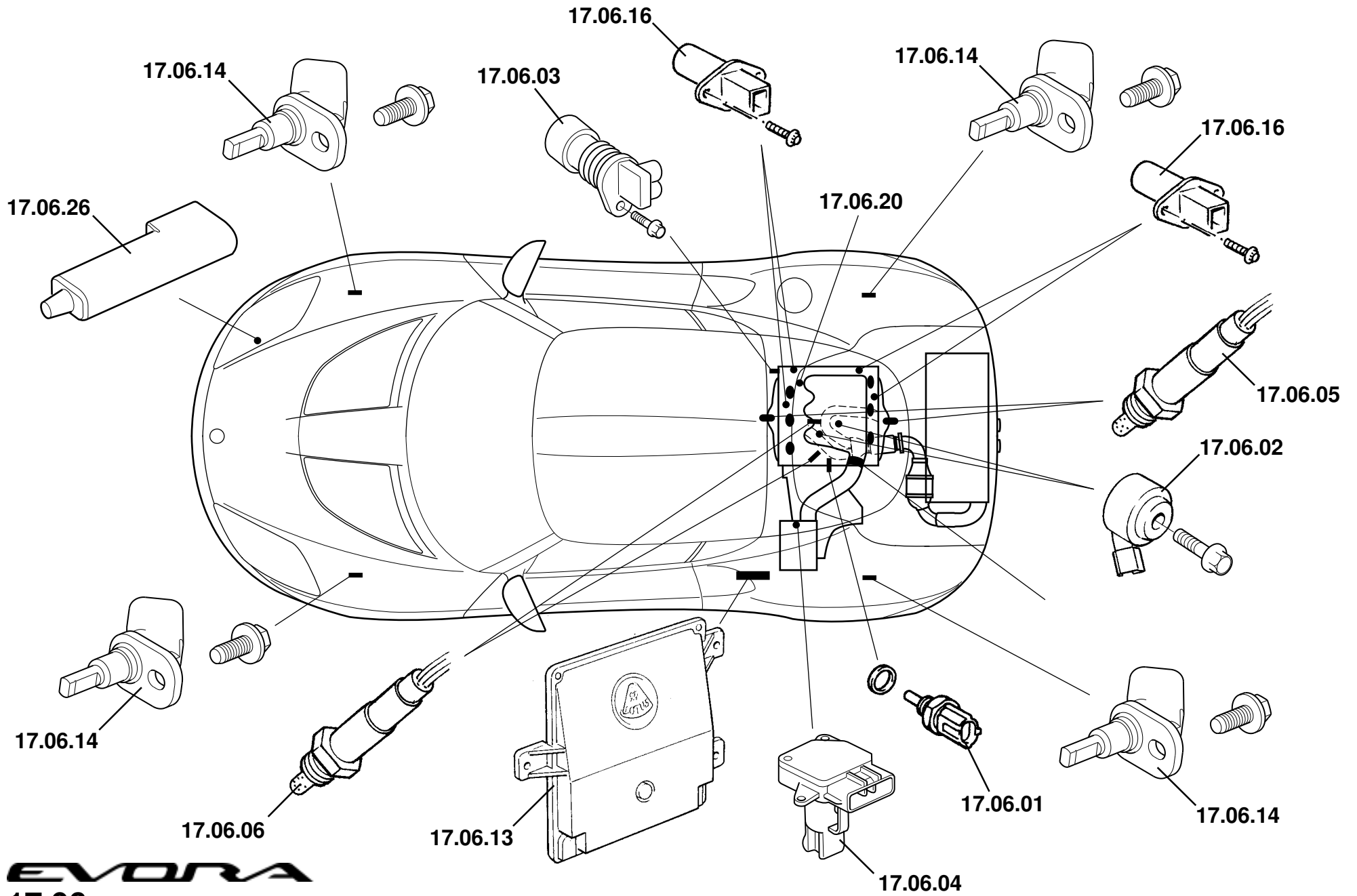


LOTUS EVORA STANDARD LABOUR TIMES.

Function Area: 17.00 Electrical

Function Code: 17.05 Interior Switches, Auxiliary Power Socket

Operation Code	Description	Op Type	Hours	Derivative
17.05.16-02	Switch panel, comfort (tailgate release, heated seats)	Renew	0.2	
17.05.22-01	Switch panel, automatic transmission control	r&r	0.2	IPS (Auto)
17.05.22-02	Switch panel, automatic transmission control	Renew	0.2	IPS (Auto)
17.05.23-01	Switch paddle, transmission shift (one or both)	r&r	0.8	IPS (Auto)
17.05.23-02	Switch paddle, transmission shift (one or both)	Renew	0.8	IPS (Auto)



EVORA
17.06

Updated 28th February 2011



LOTUS EVORA STANDARD LABOUR TIMES.

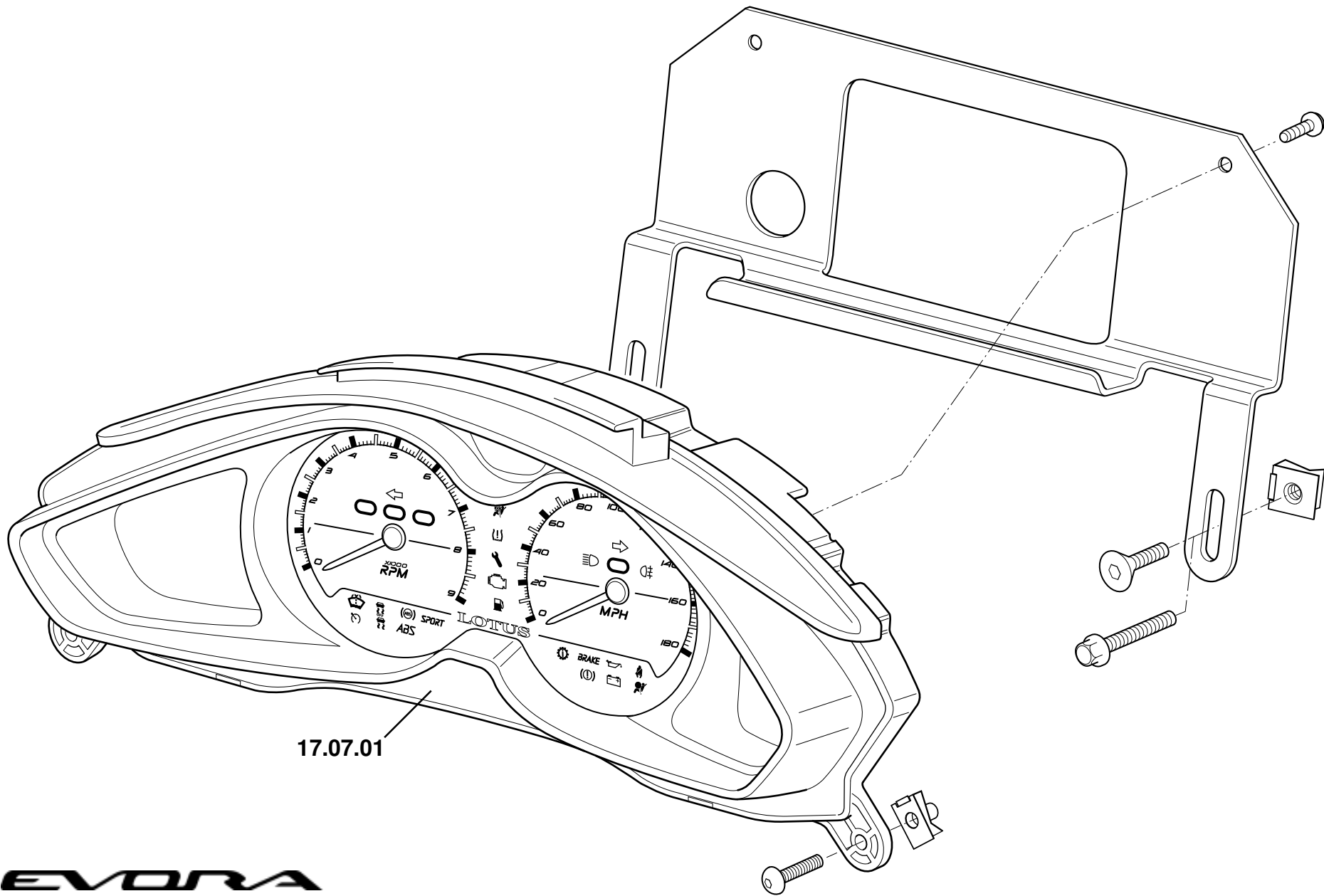
Function Area: 17.00 Electrical

Function Code: 17.06 Engine Management & Sensors

Operation Code	Description	Op Type	Hours	Derivative
17.06.01-01	Sensor, engine coolant temperature (inc. air bleed)	r&r	0.8	
17.06.01-02	Sensor, engine coolant temperature (inc. air bleed)	Renew	0.8	
17.06.02-01	Sensor, knock control (one or both) (For S/C add 17062801)	r&r	1.4	
17.06.02-02	Sensor, knock control (one or both) (For S/C add 17062801)	Renew	1.4	
17.06.03-01	Sensor, crankshaft position	r&r	2.6	
17.06.03-02	Sesnor, crankshaft position	Renew	2.6	
17.06.04-01	Meter, air intake flow	r&r	0.1	
17.06.04-02	Meter, air intake flow	Renew	0.2	
17.06.05-01	Oxygen sensor, pre-cat (one)	r&r	0.5	
17.06.05-02	Oxygen sensor, pre-cat (one)	Renew	0.5	
17.06.06-01	Oxygen sensor, post-cat (one or both)	r&r	0.6	
17.06.06-02	Oxygen sensor, post-cat (one or both)	Renew	0.6	
17.06.13-01	Electronic control module (ECM)	r&r	0.7	
17.06.13-02	Electronic control module (ECM)	Renew	0.8	
17.06.14-01	Sensor, wheel speed (one)	r&r	0.3	
17.06.14-02	Sensor, wheel speed (one)	Renew	0.3	
17.06.16-01	Camshaft position sensor, (one or more) (RHR only add 45052101)	r&r	0.1	
17.06.16-02	Camshaft position sensor, (one or more) (RHR only add 45052101)	Renew	0.2	
17.06.20-01	Sensor, oil pressure	r&r	0.6	
17.06.20-02	Sensor, oil pressure	Renew	0.6	
17.06.21-00	Check/reset fault codes and or MIL light + diagnostic print	Test/reset	0.2	
17.06.26-01	Sensor, ambient air temperature	r&r	0.4	
17.06.26-02	Sensor, ambient air temperature	Renew	0.4	
17.06.27-00	Download new ECM program with Tech Centre	Test/reset	0.3	
17.06.28-01	Additional time for Supercharged cars when claiming 170602	r&r	1.0	S

Function Code: 17.06, Page: 1

Updated 4th April 2013



17.07.01

EVORA

17.07

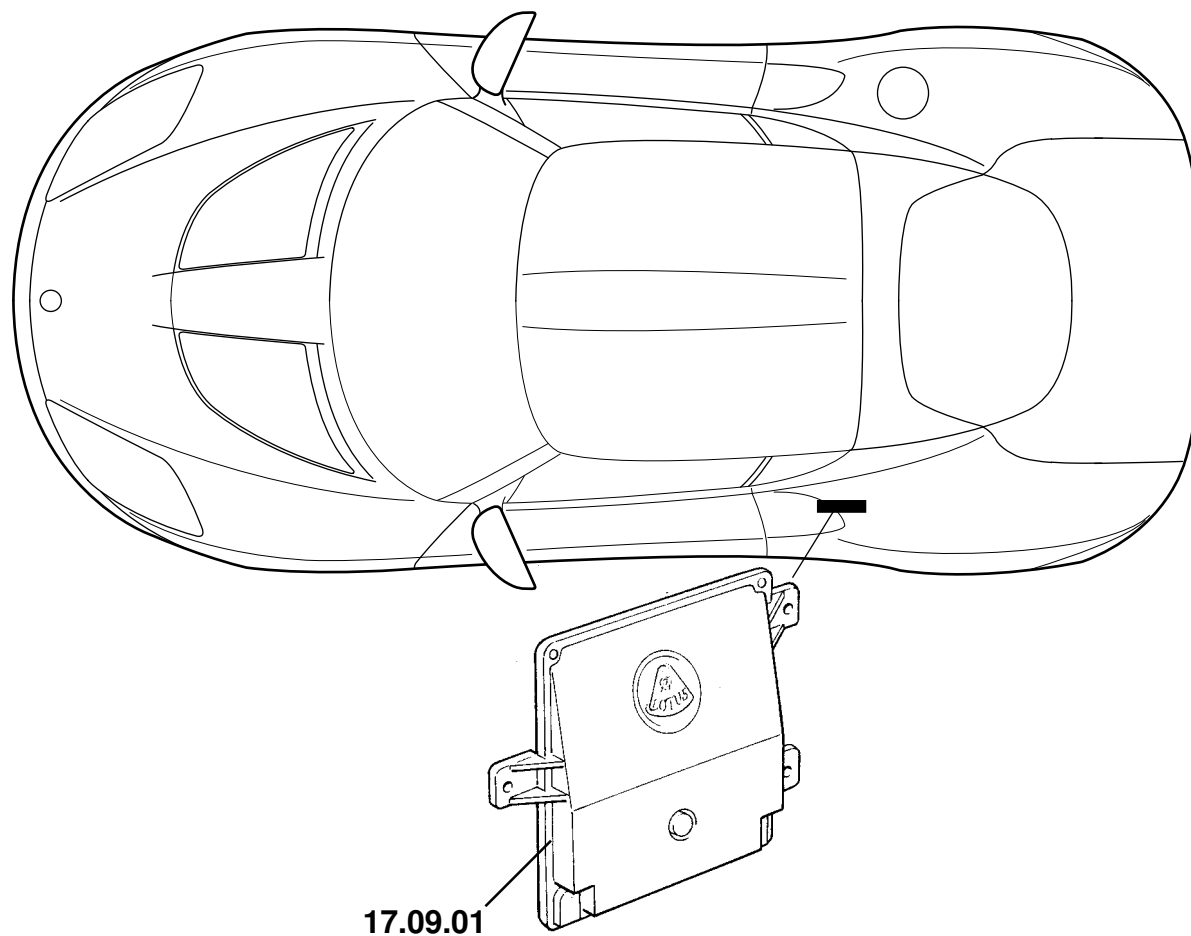


LOTUS EVORA STANDARD LABOUR TIMES.

Function Area: 17.00 Electrical

Function Code: 17.07 Instruments, Tell Tales, & Displays

Operation Code	Description	Op Type	Hours	Derivative
17.07.01-01	Instrument pack	r&r	0.5	
17.07.01-02	Instrument pack	Renew	0.5	



EVORA

17.09

Updated 9th June 2011

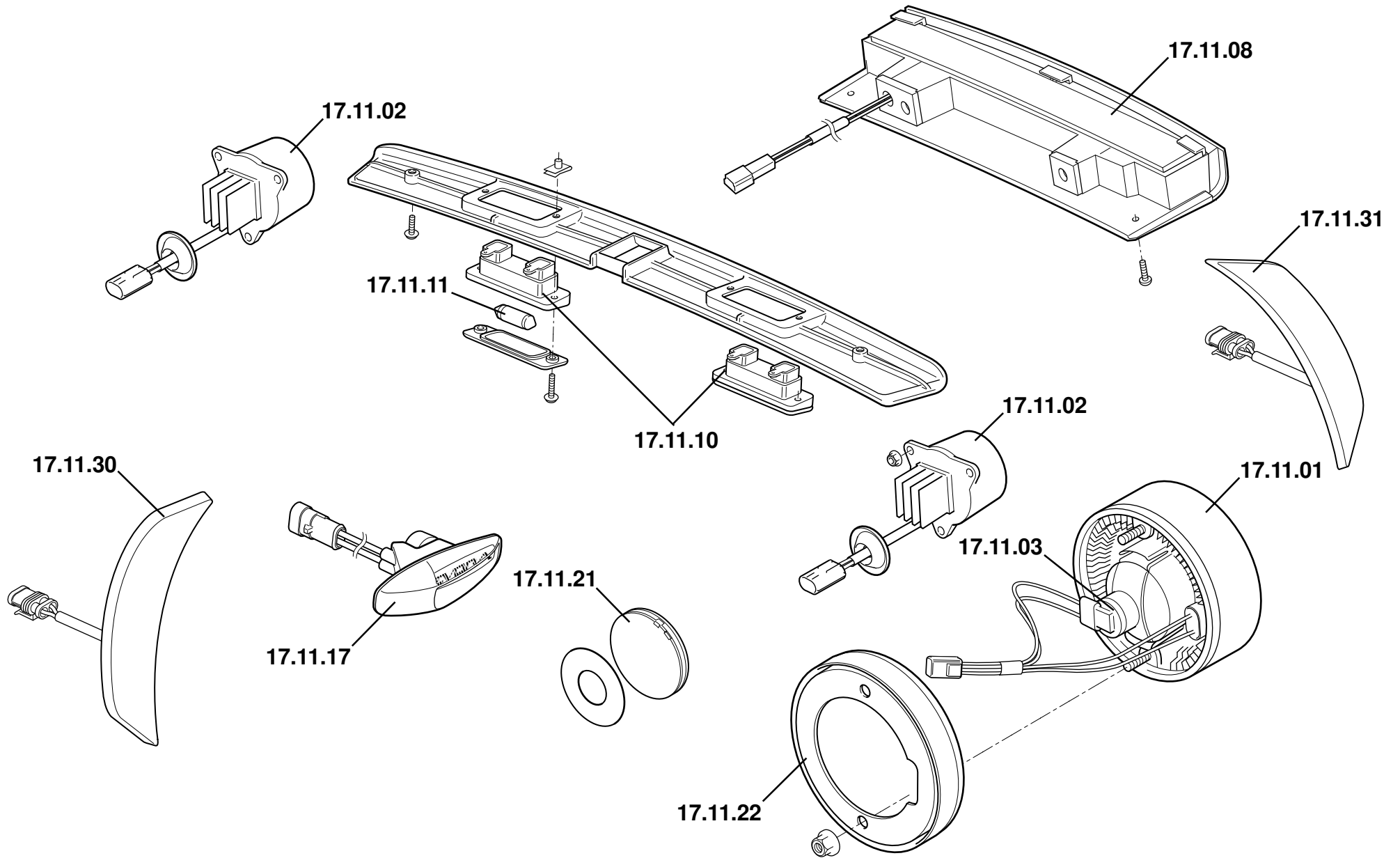


LOTUS EVORA STANDARD LABOUR TIMES.

Function Area: 17.00 Electrical

Function Code: 17.09 Transmission Management & Sensors

Operation Code	Description	Op Type	Hours	Derivative
17.09.01-01	ECU, transmission	r&r	0.7	IPS (Auto)
17.09.01-02	ECU, transmission	Renew	0.8	IPS (Auto)



EVORA
17.11

Updated 6th June 2012



LOTUS EVORA STANDARD LABOUR TIMES.

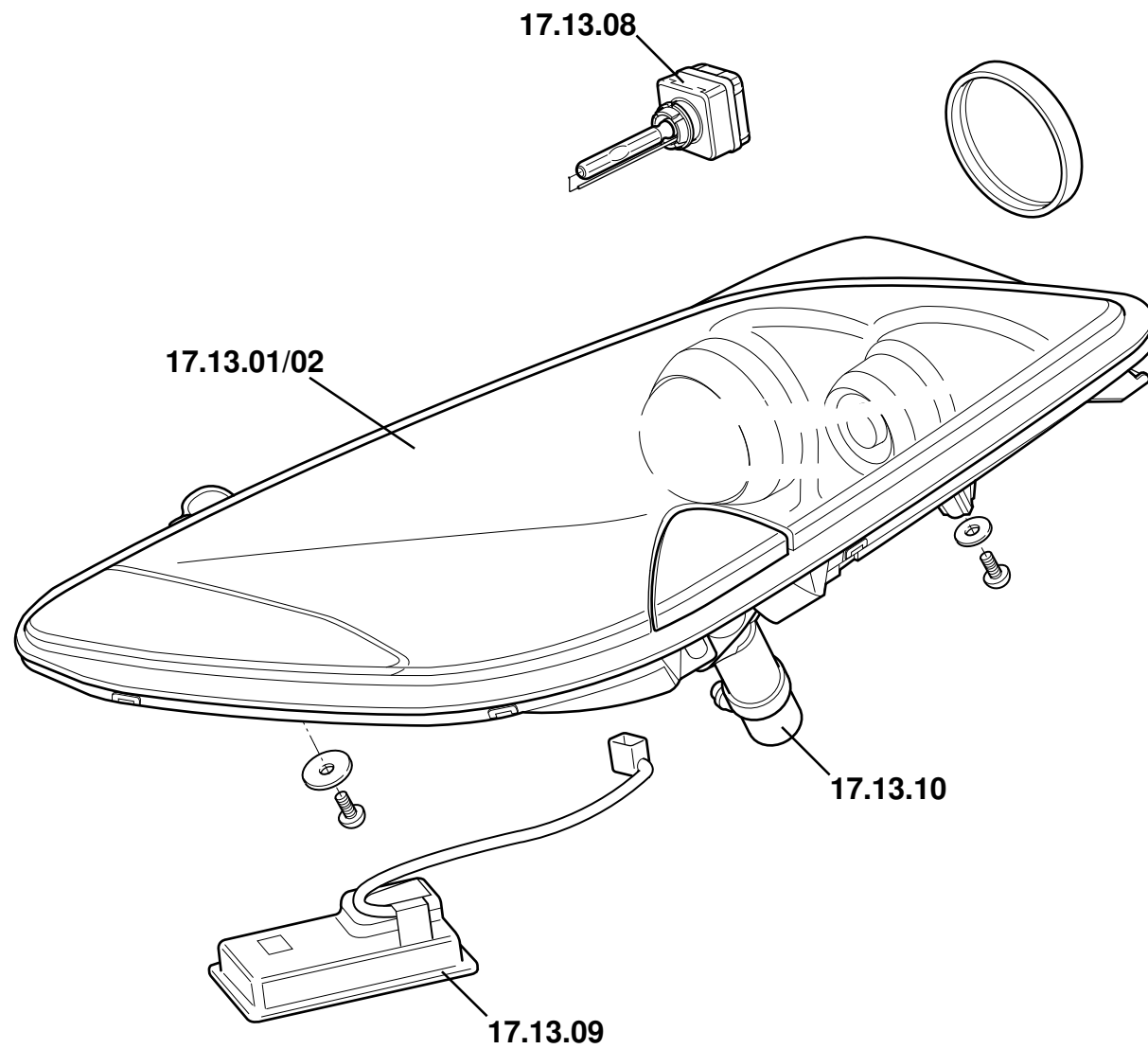
Function Area: 17.00 Electrical

Function Code: 17.11 Exterior Lamps, Except Headlamps

Operation Code	Description	Op Type	Hours	Derivative
17.11.01-01	Lamp, outer, turn/stop/tail (one)	r&r	0.2	
17.11.01-02	Lamp, outer, turn/stop/tail (one)	Renew	0.2	
17.11.02-01	Lamp, inner, fog or reverse (one or both)	r&r	1.1	
17.11.02-02	Lamp, inner, fog or reverse (one or both)	Renew	1.1	
17.11.03-02	Bulb, turn (one)	Renew	0.1	
17.11.08-01	Lamp, CHMSL	r&r	0.3	
17.11.08-02	Lamp, CHMSL	Renew	0.3	
17.11.10-01	Lamp, license plate (one or both)	r&r	0.1	
17.11.10-02	Lamp, license plate (one or both)	Renew	0.2	
17.11.11-02	Bulb, license place (one or both)	Renew	0.2	
17.11.17-01	Lamp, side repeater (one)	r&r	0.2	
17.11.17-02	Lamp, side repeater (one)	Renew	0.2	
17.11.21-02	Reflector, door (one)	Renew	0.2	
17.11.22-02	Bezel, tail lamp (one)	Renew	0.2	
17.11.30-02	Lamp, front side marker (one)	Renew	0.3	USA
17.11.31-02	Lamp. rear side marker (one)	Renew	0.3	USA

Function Code: 17.11, Page: 1

Updated 6th June 2012



EVORA
17.13

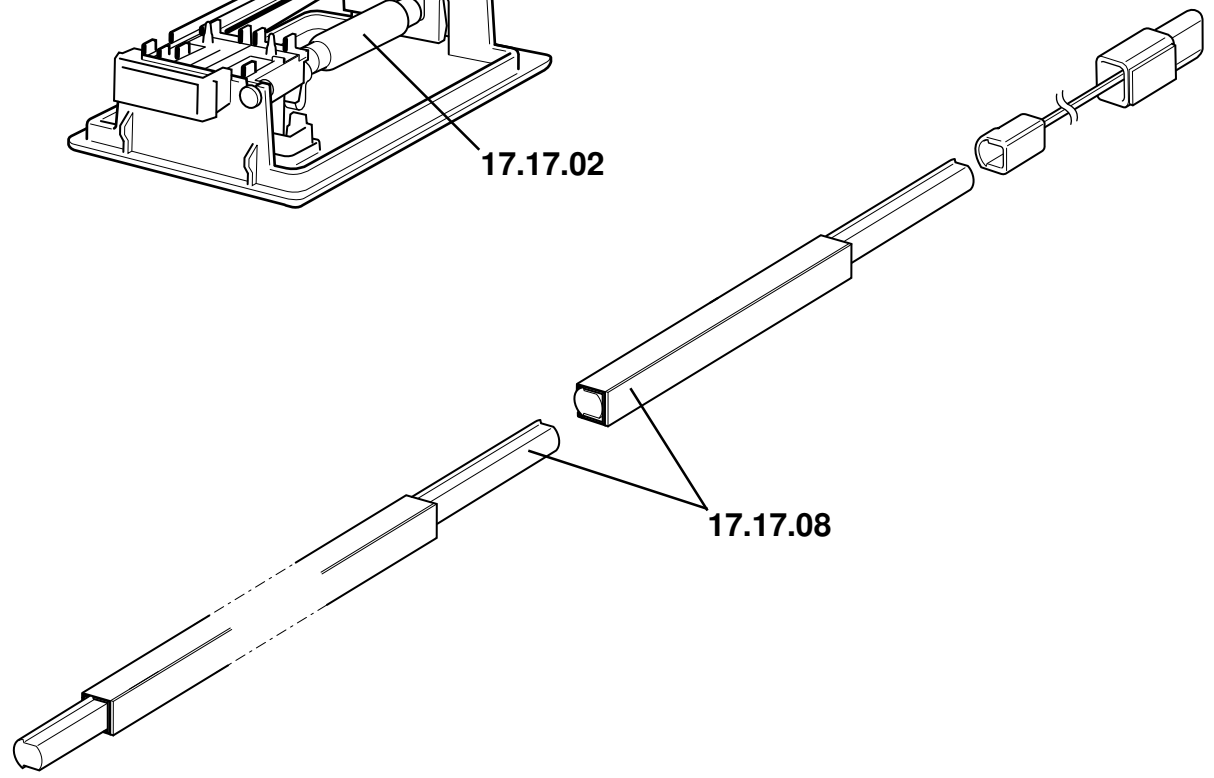
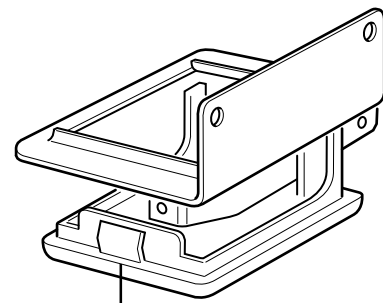
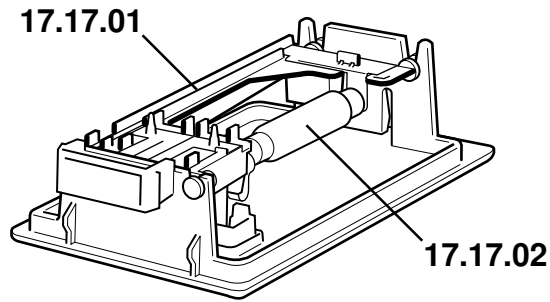
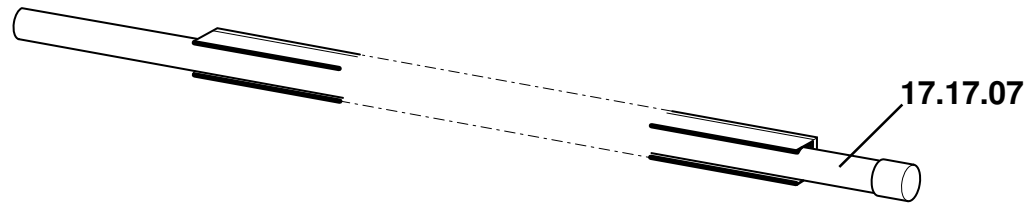


LOTUS EVORA STANDARD LABOUR TIMES.

Function Area: 17.00 Electrical

Function Code: 17.13 Headlamps

Operation Code	Description	Op Type	Hours	Derivative
17.13.01-00	Headlamp aim, LH	Adjust	0.2	
17.13.01-01	Headlamp assembly, LH (incl. headlamp aim)	r&r	0.7	
17.13.01-02	Headlamp assembly, LH (incl. headlamp aim)	Renew	0.7	
17.13.02-00	Headlamp aim, RH	Adjust	0.2	
17.13.02-01	Headlamp assembly, RH (incl. headlamp aim)	r&r	0.7	
17.13.02-02	Headlamp assembly, RH (incl. headlamp aim)	Renew	0.7	
17.13.08-02	Burner unit (one side)	Renew	0.2	
17.13.09-01	Ballast unit (one side)	r&r	0.5	
17.13.09-02	Ballast unit (one side)	Renew	0.5	
17.13.10-01	Washer unit (one side)	r&r	0.5	
17.13.10-02	Washer unit (one side)	Renew	0.5	



EVORA
17.17



LOTUS EVORA STANDARD LABOUR TIMES.

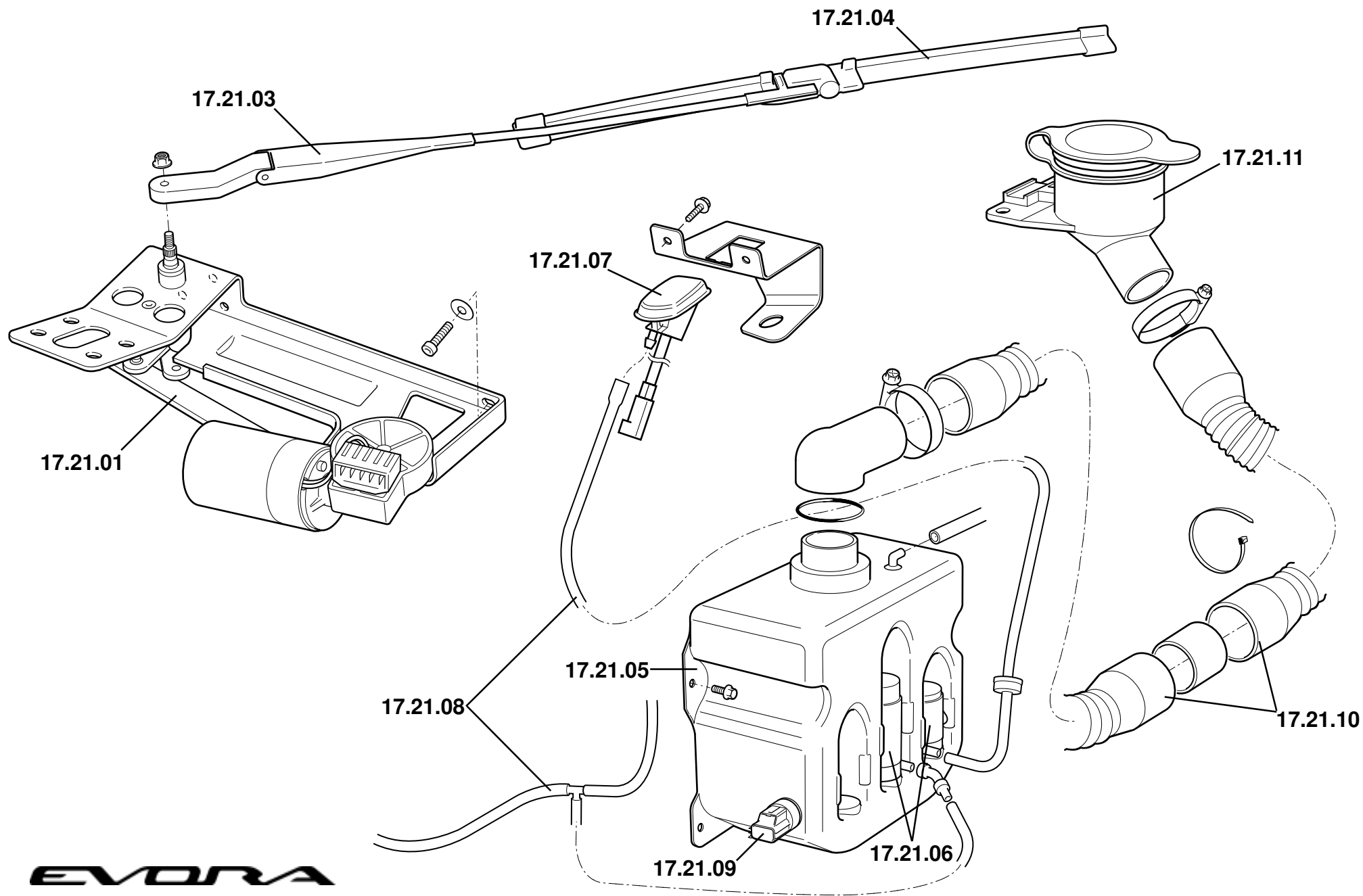
Function Area: 17.00 Electrical

Function Code: 17.17 Interior Lamps

Operation Code	Description	Op Type	Hours	Derivative
17.17.01-01	Interior lamp	r&r	0.1	
17.17.01-02	Interior lamp	Renew	0.1	
17.17.02-02	Bulb, interior lamp	Renew	0.1	
17.17.04-01	Lamp, glovebox	r&r	0.1	
17.17.04-02	Lamp, glovebox	Renew	0.1	
17.17.05-01	Lamp, footwell (one or both)	r&r	0.1	
17.17.05-02	Lamp, footwell (one or both)	Renew	0.1	
17.17.06-01	Lamp, luggage compartment (one or both)	r&r	0.1	
17.17.06-02	Lamp, luggage compartment (one or both)	Renew	0.1	
17.17.07-01	Moodlight, door (one)	r&r	0.5	
17.17.07-02	Moodlight, door (one)	Renew	0.5	
17.17.08-01	Moodlight, fascia (excl. fascia R&R 14053401)	r&r	0.1	
17.17.08-02	Moodlight, fascia (excl. fascia R&R 14053401)	Renew	0.1	

Function Code: 17.17, Page: 1

Updated 28th February 2011



EVORA
17.21



LOTUS EVORA STANDARD LABOUR TIMES.

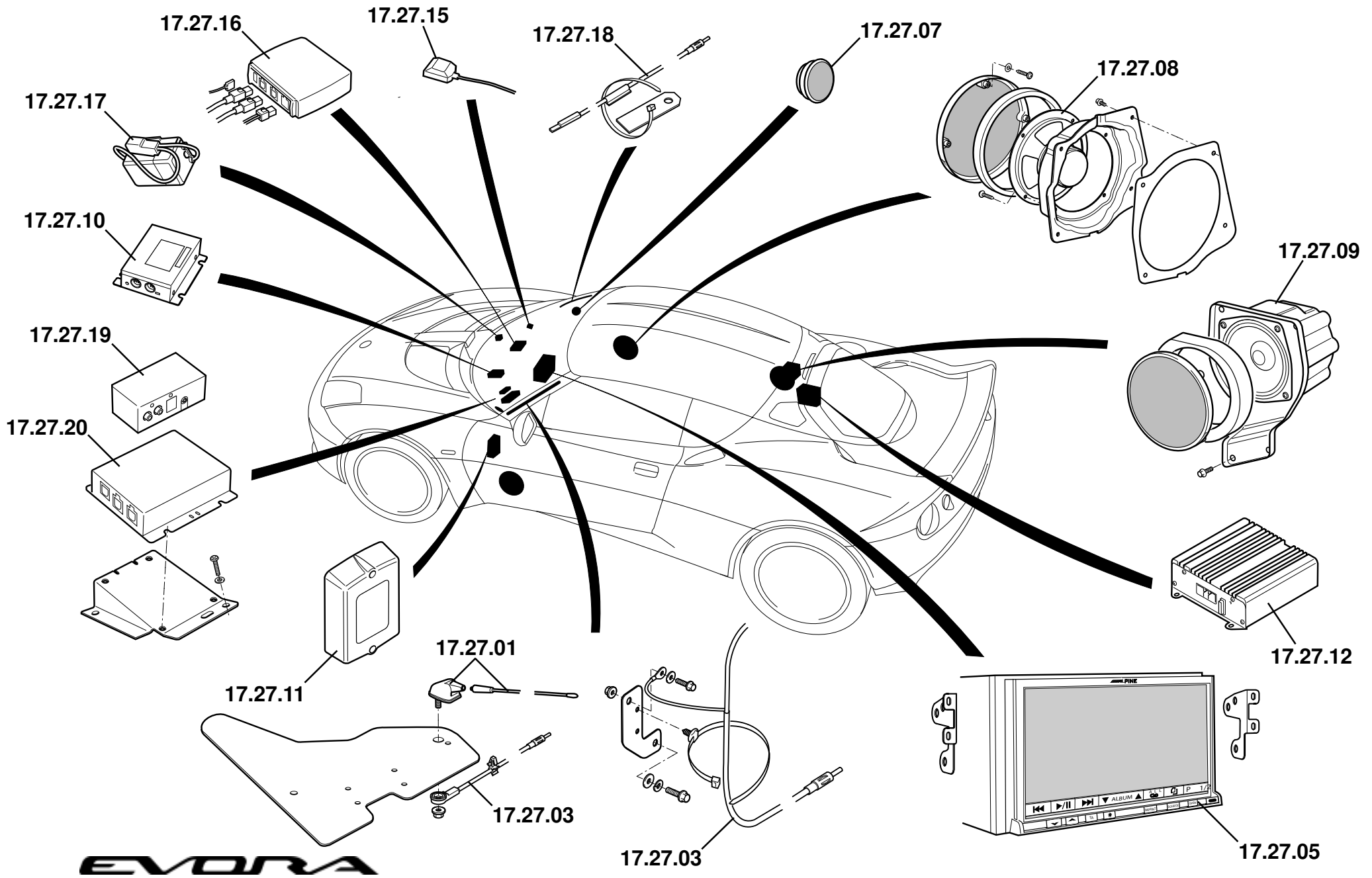
Function Area: 17.00 Electrical

Function Code: 17.21 Windscreen Wiper Motor, Wipers & Washers

Operation Code	Description	Op Type	Hours	Derivative
17.21.01-01	Wiper drive/motor assembly	r&r	2.5	
17.21.01-02	Wiper drive/motor assembly	Renew	2.5	
17.21.03-02	Wiper arm	Renew	0.2	
17.21.04-02	Wiper blade	Renew	0.1	
17.21.05-02	Washer bottle assembly	Renew	0.4	
17.21.06-02	Washer pump (one or both)	Renew	0.4	
17.21.07-02	Jet, washer	Renew	0.1	
17.21.08-02	Washer pipe (one)	Renew	0.5	
17.21.09-02	Sensor, washer fluid level	Renew	0.4	
17.21.10-02	Filler hose, washer bottle	Renew	0.5	
17.21.11-02	Filler neck and cap assembly	Renew	0.2	

Function Code: 17.21, Page: 1

Updated 4th April 2013



EVORA
17.27

Updated 18th August 2011



LOTUS EVORA STANDARD LABOUR TIMES.

Function Area: 17.00 Electrical

Function Code: 17.27 In Car Entertainment

Operation Code	Description	Op Type	Hours	Derivative
17.27.01-01	Antenna	r&r	3.0	
17.27.01-02	Antenna	Renew	3.0	
17.27.03-01	Cable, antenna	r&r	3.3	
17.27.03-02	Cable, antenna	Renew	3.3	
17.27.05-01	Audio head unit	r&r	0.6	
17.27.05-02	Audio head unit	Renew	0.6	
17.27.07-01	Speaker, tweeter (one)	r&r	0.3	
17.27.07-02	Speaker, tweeter (one)	Renew	0.3	
17.27.08-01	Speaker, mid range (one)	r&r	0.4	
17.27.08-02	Speaker, mid range (one)	Renew	0.4	
17.27.09-01	Speaker, sub woofer	r&r	0.7	
17.27.09-02	Speaker, sub woofer	Renew	0.7	
17.27.10-01	Module, Alpine Imprint	r&r	0.6	
17.27.10-02	Module, Alpine Imprint	Renew	0.6	
17.27.11-01	Module, cross-over (one)	r&r	0.2	
17.27.11-02	Module, cross-over (one)	Renew	0.2	
17.27.12-01	Amplifier, sub woofer	r&r	0.8	
17.27.12-02	Amplifier, sub woofer	Renew	0.8	
17.27.13-02	Receiver, VICS IR	Renew	2.9	
17.27.14-02	Radio interface (not illustrated)	Renew	2.9	USA
17.27.15-02	GPS antenna	Renew	2.9	
17.27.16-02	Module, Bluetooth	Renew	2.9	
17.27.17-02	Choke, radio	Renew	2.9	
17.27.18-02	Antenna, TMC	Renew	3.0	
17.27.19-02	Imprint Navigation Interface	Renew	2.9	

Function Code: 17.27, Page: 1

Updated 18th August 2011

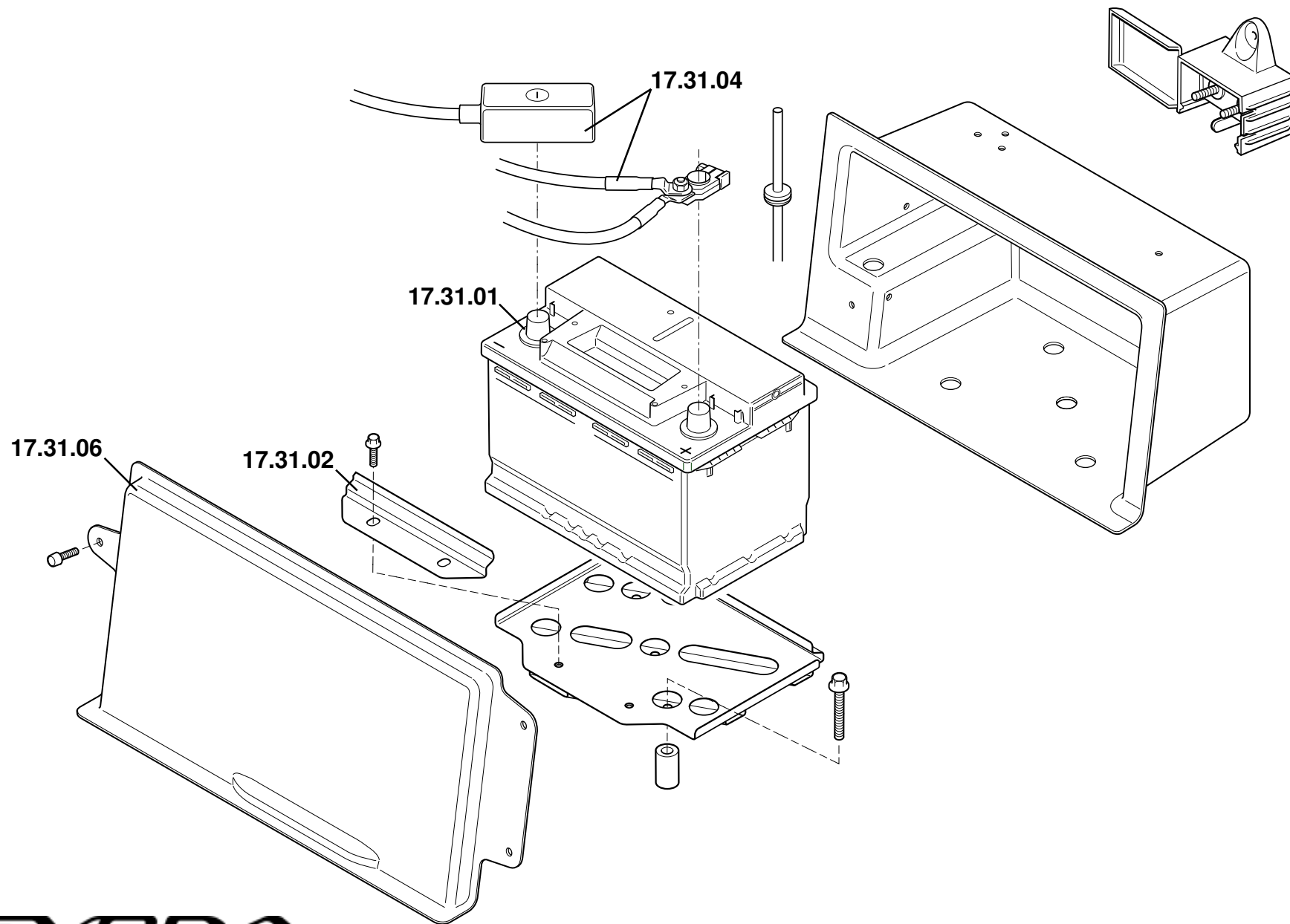


LOTUS EVORA STANDARD LABOUR TIMES.

Function Area: 17.00 Electrical

Function Code: 17.27 In Car Entertainment

Operation Code	Description	Op Type	Hours	Derivative
17.27.20-02	Module, Alpine Sat.Nav.	Renew	2.9	



EVORA
17.31

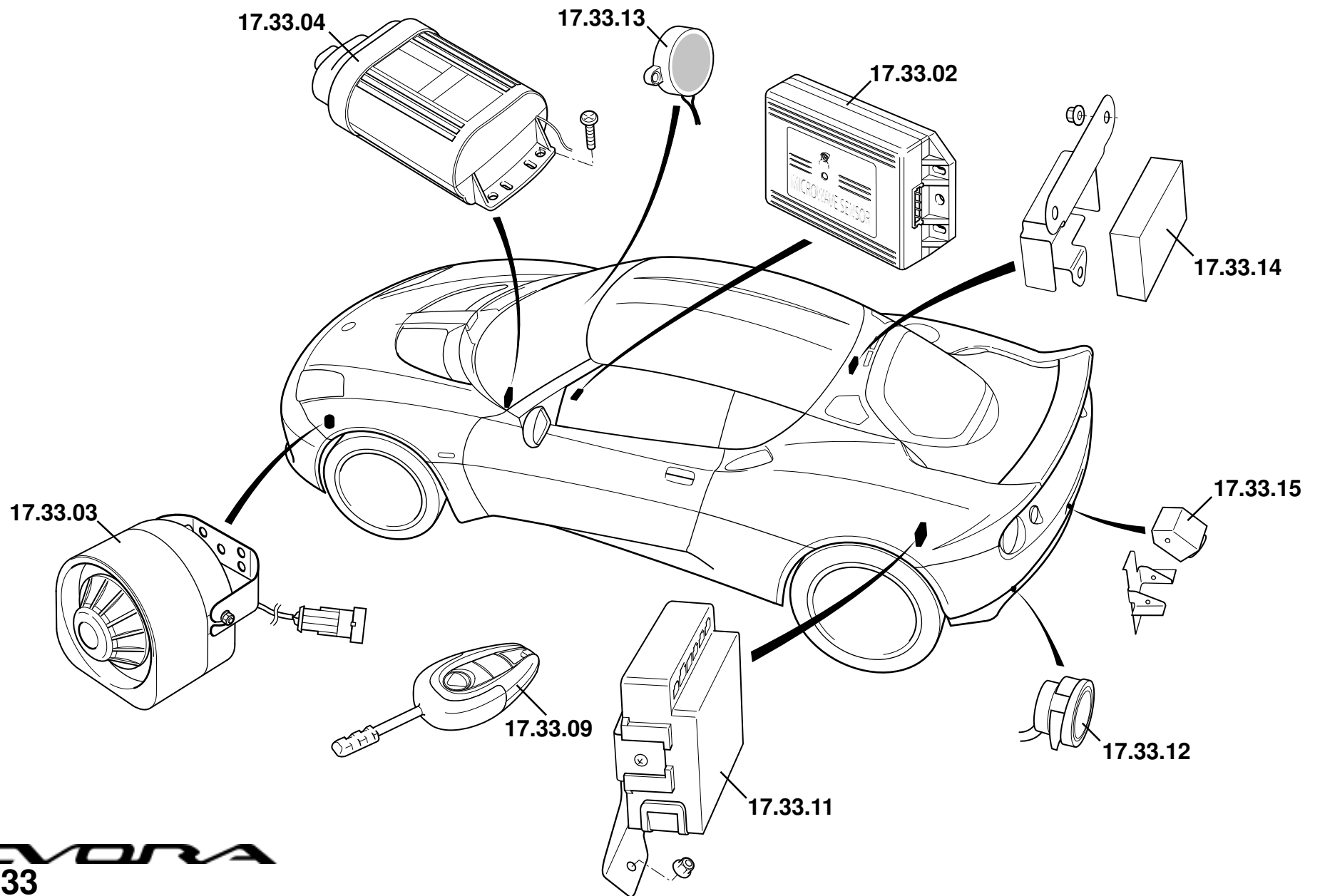


LOTUS EVORA STANDARD LABOUR TIMES.

Function Area: 17.00 Electrical

Function Code: 17.31 Battery, Clamps, & Cables

Operation Code	Description	Op Type	Hours	Derivative
17.31.01-01	Battery	r&r	0.2	
17.31.01-02	Battery	Renew	0.3	
17.31.02-01	Battery clamp	r&r	0.2	
17.31.02-02	Battery clamp	Renew	0.2	
17.31.04-01	Battery harness	r&r	1.3	
17.31.04-02	Battery harness	Renew	1.3	
17.31.05-01	Earth braid, chassis to gearbox (not illustrated)	r&r	0.4	
17.31.05-02	Earth braid, chassis to gearbox (not illustrated)	Renew	0.4	
17.31.06-01	Battery cover	r&r	0.1	
17.31.06-02	Battery cover	Renew	0.2	



EVORA
17.33

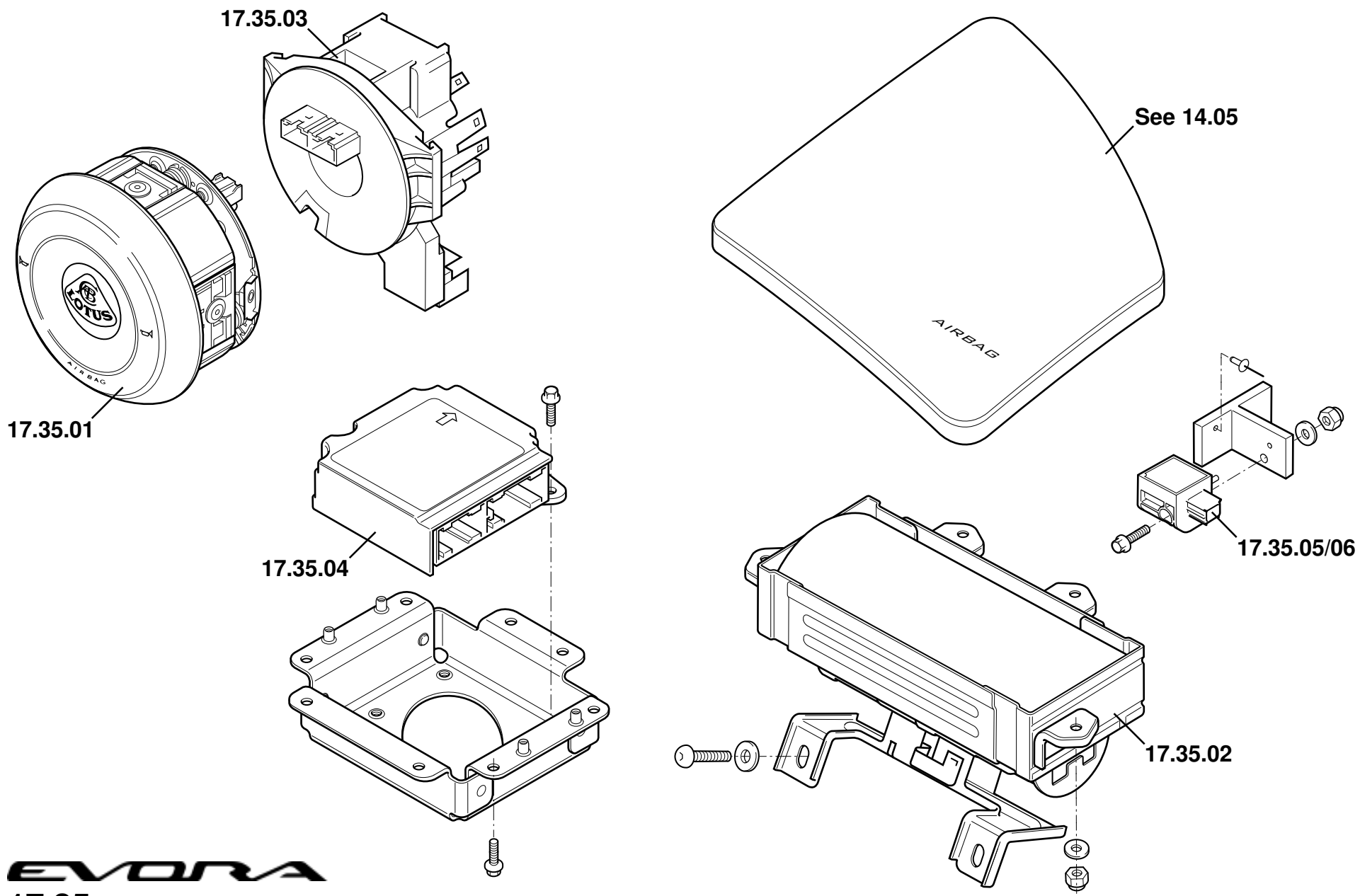


LOTUS EVORA STANDARD LABOUR TIMES.

Function Area: 17.00 Electrical

Function Code: 17.33 Security Alarm System, Parking Sensors & Camera

Operation Code	Description	Op Type	Hours	Derivative
17.33.02-01	Microwave sensor	r&r	0.8	
17.33.02-02	Microwave sensor	Renew	0.8	
17.33.03-01	Siren	r&r	0.3	
17.33.03-02	Siren	Renew	0.3	
17.33.04-01	Controller, PFK	r&r	2.9	
17.33.04-02	Controller, PFK	Renew	2.9	
17.33.09-01	Transmitter, reprogramme	Adjust	0.1	
17.33.09-02	Transmitter/key (one or all)	Renew	0.1	
17.33.11-01	ECU, rear parking aid	r&r	0.2	
17.33.11-02	ECU, rear parking aid	Renew	0.2	
17.33.12-01	Sensor kit, rear parking aid	r&r	1.1	
17.33.12-02	Sensor kit, rear parking aid	Renew	1.1	
17.33.13-01	Sound unit, rear parking aid	r&r	2.9	
17.33.13-02	Sound unit, rear parking aid	Renew	2.9	
17.33.14-01	ECU, rear parking camera	r&r	0.8	
17.33.14-02	ECU, rear parking camera	Renew	0.8	
17.33.15-01	Camera, rear parking	r&r	1.1	
17.33.15-02	Camera, rear parking	Renew	1.1	



EVORA
17.35

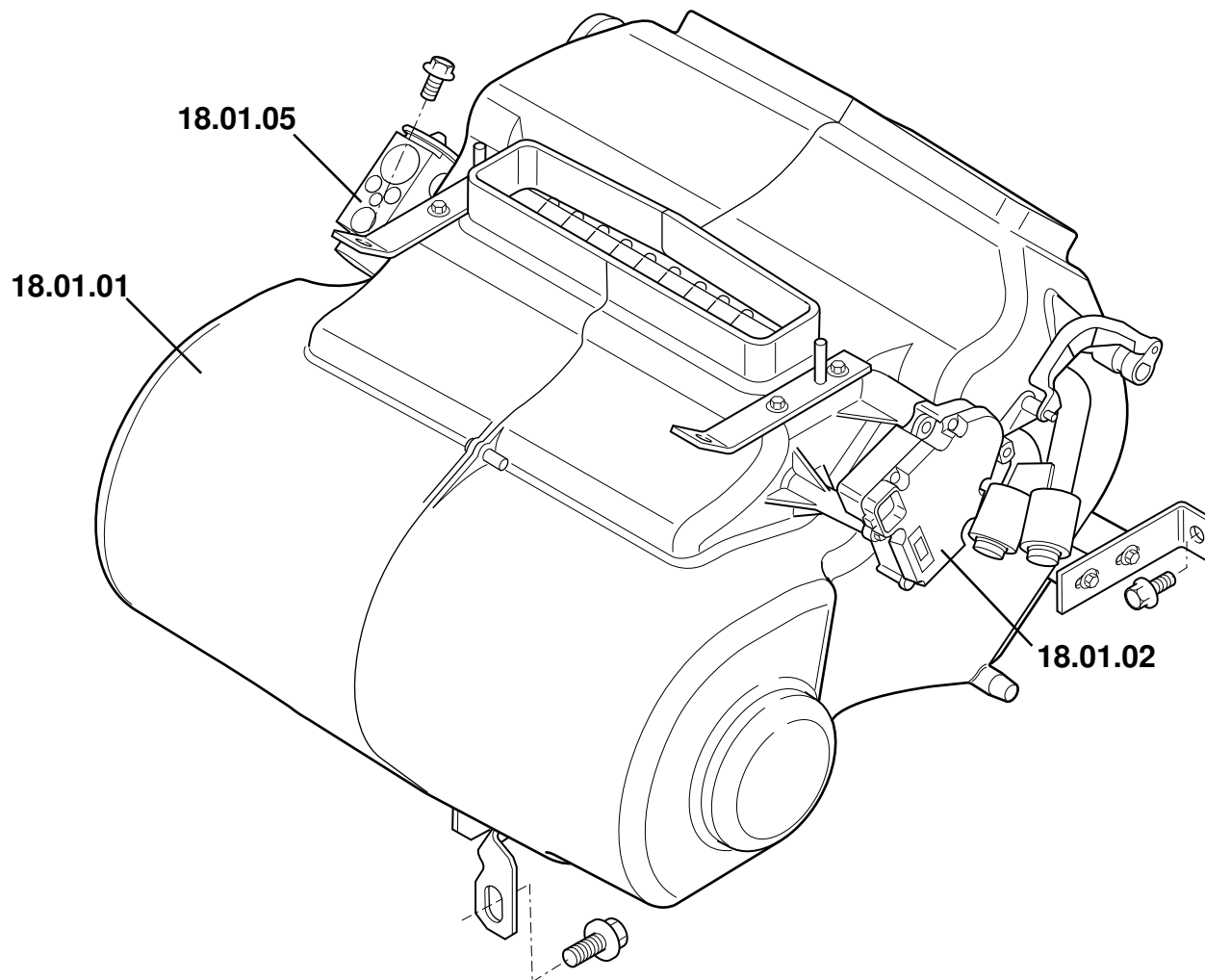


LOTUS EVORA STANDARD LABOUR TIMES.

Function Area: 17.00 Electrical

Function Code: 17.35 Other Electrical, SIR: Inflator Modules, DERM & Sensors

Operation Code	Description	Op Type	Hours	Derivative
17.35.01-01	Airbag module, drivers	r&r	0.5	
17.35.01-02	Airbag module, drivers	Renew	0.5	
17.35.02-01	Airbag module, passengers	r&r	2.9	
17.35.02-02	Airbag module, passengers	Renew	2.9	
17.35.03-01	Rotary contact unit	r&r	0.7	
17.35.03-02	Rotary contact unit	Renew	0.7	
17.35.04-01	ECU, airbag control	r&r	0.8	
17.35.04-02	ECU, airbag control	Renew	0.8	
17.35.05-01	Forward crash sensor (one)	r&r	0.3	
17.35.05-02	Forward crash sensor (one)	Renew	0.3	
17.35.06-01	Forward crash sensor (both)	r&r	0.4	
17.35.06-02	Forward crash sensor (both)	Renew	0.4	



EVORA

18.01

Updated 1st September 2013

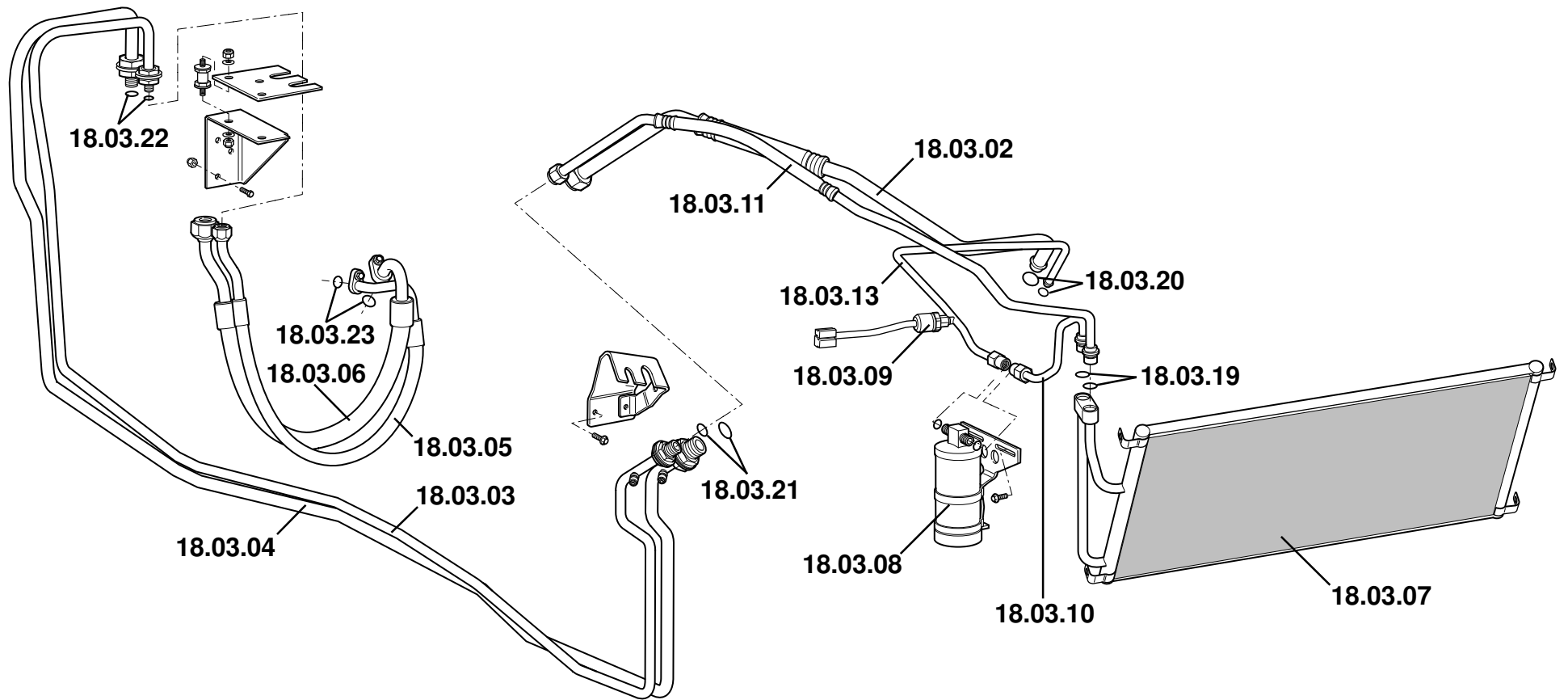


LOTUS EVORA STANDARD LABOUR TIMES.

Function Area: 18.00 Heating, Ventilation, Air Conditioning

Function Code: 18.01 Heater/ Air Conditioning Assemblies, Housings

Operation Code	Description	Op Type	Hours	Derivative
18.01.01-01	Heater/AC housing assembly	r&r	7.0	
18.01.01-02	Heater/AC housing assembly	Renew	7.0	
18.01.02-01	Actuator, heater/AC distribution flaps	r&r	2.8	
18.01.02-02	Actuator, heater/AC distribution flaps	Renew	2.8	
18.01.05-02	Expansion valve (TVX), (incl. clam r&r, A/C vac & recharge)	Renew	3.2	



EVORA
18.03

Updated 18th August 2011



LOTUS EVORA STANDARD LABOUR TIMES.

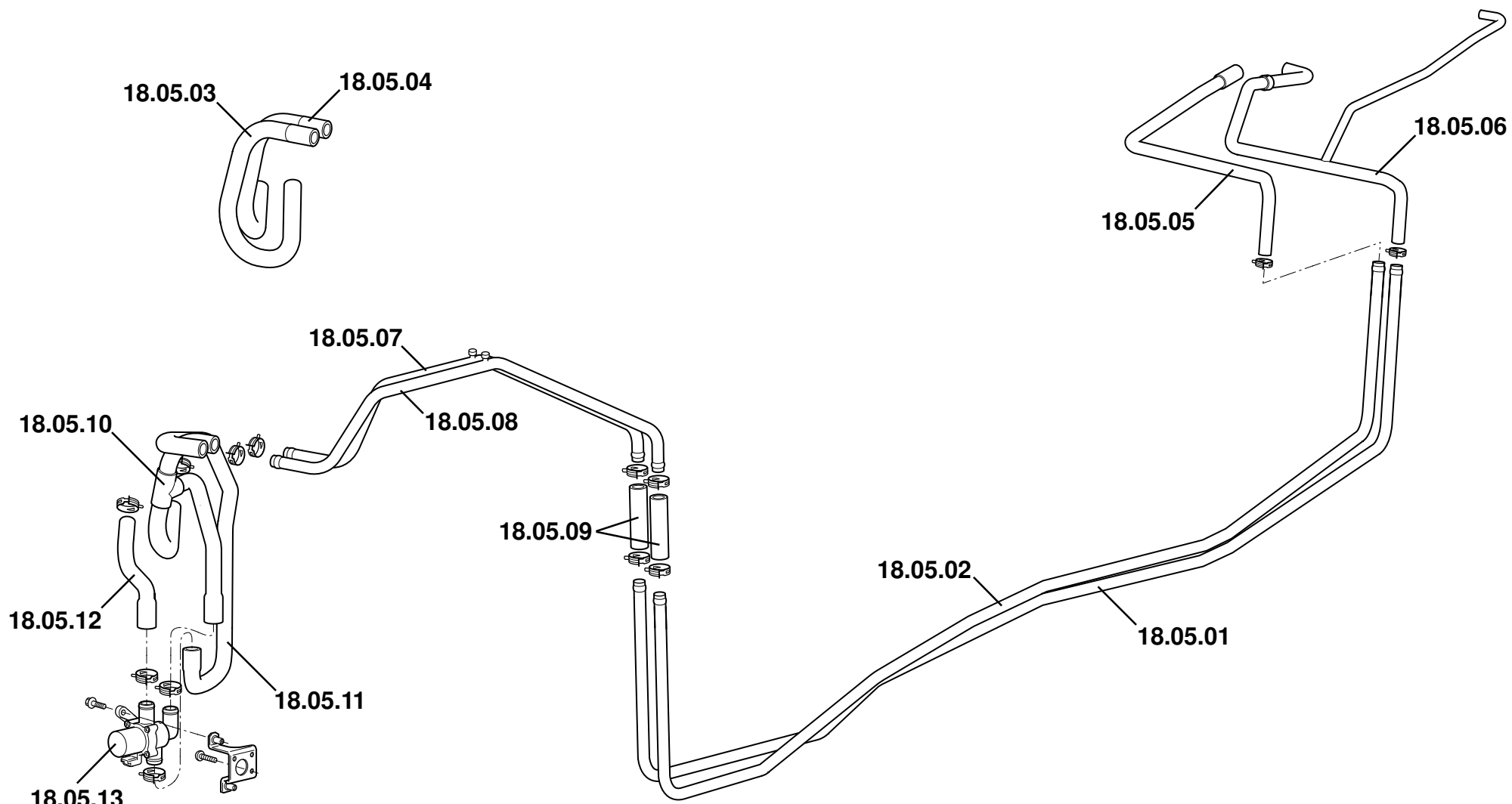
Function Area: 18.00 Heating, Ventilation, Air Conditioning

Function Code: 18.03 AC Components, Pipes, Hoses

Operation Code	Description	Op Type	Hours	Derivative
18.03.02-02	Pipe assembly, expansion valve to body pipe, suction	Renew	1.9	
18.03.03-02	Sill body pipe assembly, compressor discharge (sill removed)	Renew	1.0	
18.03.04-02	Sill body pipe assembly, compressor suction (sill removed)	Renew	1.0	
18.03.05-02	Pipe/hose assembly, compressor discharge	Renew	1.4	
18.03.06-02	Pipe/hose assembly, compressor suction	Renew	1.4	
18.03.07-02	Condenser assembly	Renew	3.2	
18.03.08-02	Receiver drier assembly	Renew	1.0	
18.03.09-02	Trinary switch	Renew	0.8	
18.03.10-02	Pipe assembly, condenser to receiver drier	Renew	2.8	
18.03.11-02	Pipe assembly, body pipe to condenser	Renew	2.8	
18.03.13-02	Pipe assembly, receiver drier to expansion valve	Renew	2.9	
18.03.19-02	O-ring, condenser pipe	Renew	2.8	
18.03.20-02	O-ring, expansion valve	Renew	2.9	
18.03.21-02	O-ring, body pipe, front	Renew	0.8	
18.03.22-02	O-ring, body pipe, rear	Renew	1.0	
18.03.23-02	O-ring, compressor	Renew	0.9	
18.03.99-99	Note: all times include drain/refill of refrigerant			

Function Code: 18.03, Page: 1

Updated 4th April 2013



EVORA

18.05

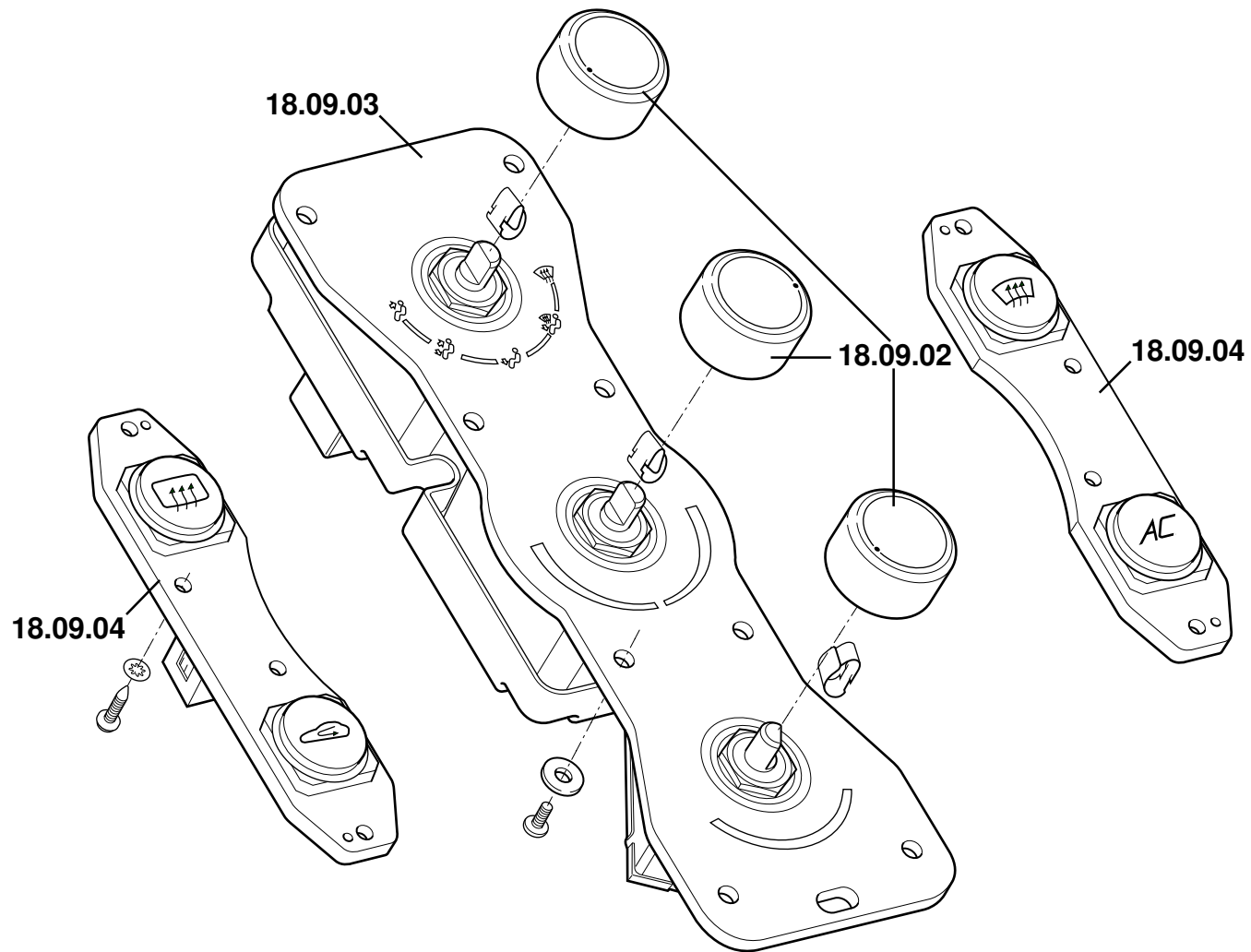


LOTUS EVORA STANDARD LABOUR TIMES.

Function Area: 18.00 Heating, Ventilation, Air Conditioning

Function Code: 18.05 Heater, Pipes, Hoses

Operation Code	Description	Op Type	Hours	Derivative
18.05.01-02	Sill body pipe, heater return (sill removed)	Renew	1.0	
18.05.02-02	Sill body pipe, heater feed (sill removed)	Renew	1.0	
18.05.03-02	Hose, heater inlet	Renew	3.0	
18.05.04-02	Hose, heater outlet	Renew	3.0	
18.05.05-02	Hose, heater feed, re-circ. pump to heater	Renew	1.1	
18.05.06-02	Hose, heater return pipe to engine	Renew	1.1	
18.05.07-02	Pipe, heater return, front	Renew	0.9	
18.05.08-02	Pipe, heater feed, front	Renew	0.9	
18.05.09-02	Hose, front and rear pipe connecting (one or both)	Renew	0.9	
18.05.10-02	Hose, heater by-pass feed	Renew	3.0	
18.05.11-02	Hose, heater by-pass return	Renew	3.0	
18.05.12-02	Hose, heater valve to heater	Renew	3.0	
18.05.13-02	Water valve, heater by-pass	Renew	3.0	
18.05.99-99	Note: all times include air bleed cooling system			



EVORA

18.09

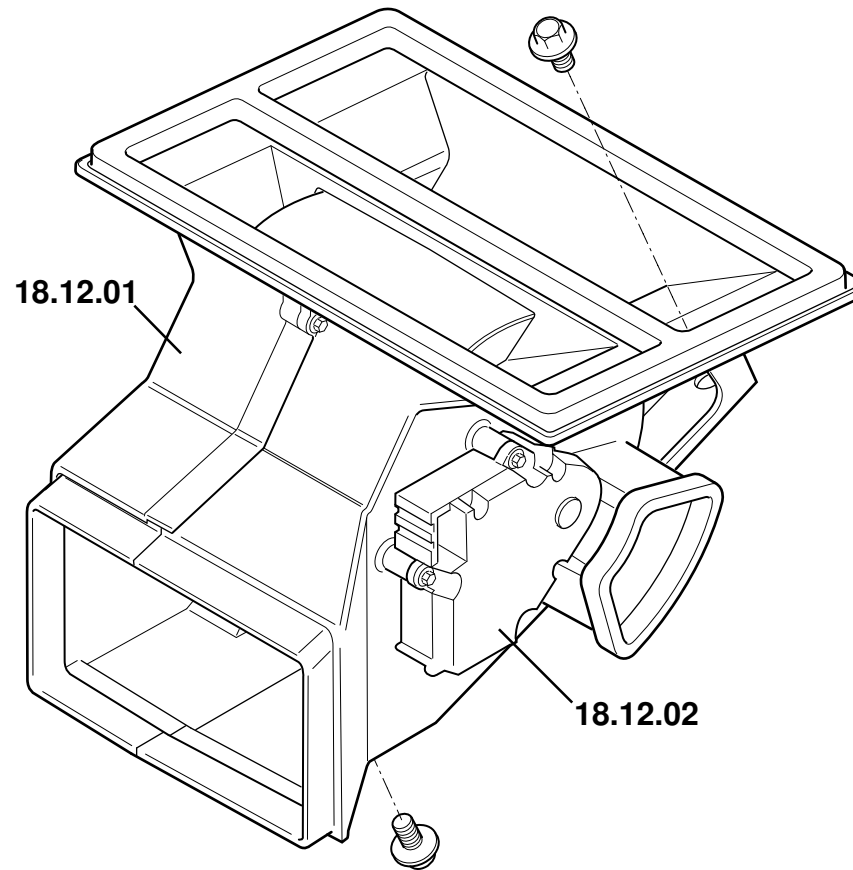


LOTUS EVORA STANDARD LABOUR TIMES.

Function Area: 18.00 Heating, Ventilation, Air Conditioning

Function Code: 18.09 Driver Operated Controls

Operation Code	Description	Op Type	Hours	Derivative
18.09.02-01	Knob, HVAC control (one or all)	r&r	0.1	
18.09.02-02	Knob, HVAC control (one or all)	Renew	0.1	
18.09.03-01	Switch panel assembly, HVAC	r&r	0.3	
18.09.03-02	Switch panel assembly, HVAC	Renew	0.3	
18.09.04-01	Switch panel assembly, re-circ or A/C (one or both)	r&r	0.3	
18.09.04-02	Switch panel assembly, re-circ or A/C (one or both)	Renew	0.3	



EVORA

18.12

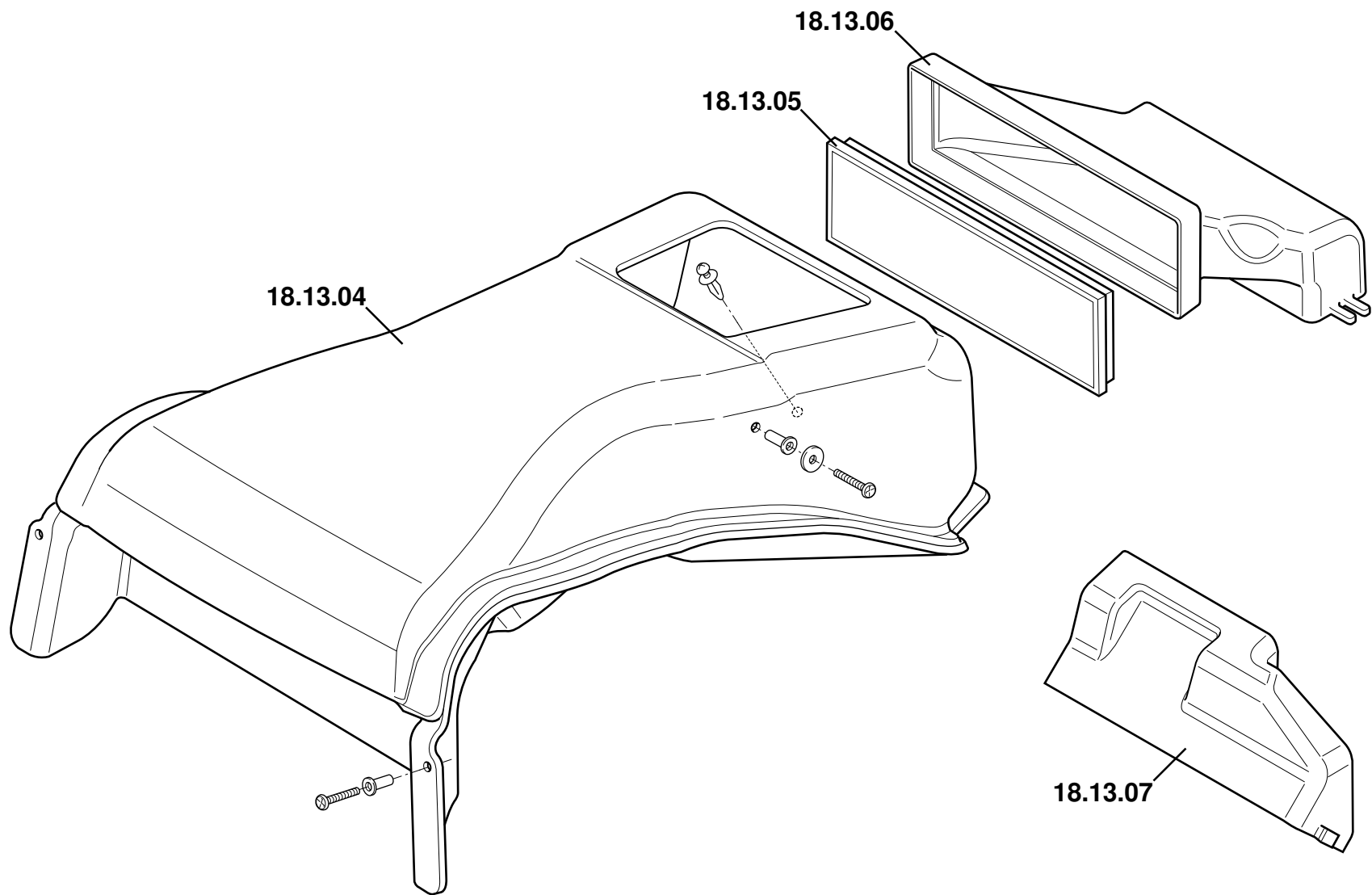


LOTUS EVORA STANDARD LABOUR TIMES.

Function Area: 18.00 Heating, Ventilation, Air Conditioning

Function Code: 18.12 AC/Heater Air Distribution Plenum

Operation Code	Description	Op Type	Hours	Derivative
18.12.01-01	Air distribution unit	r&r	3.5	
18.12.01-02	Air distribution unit	Renew	3.5	
18.12.02-01	Actuator, distribution drum	r&r	3.0	
18.12.02-02	Actuator, distribution drum	Renew	3.0	



EVORA

18.13

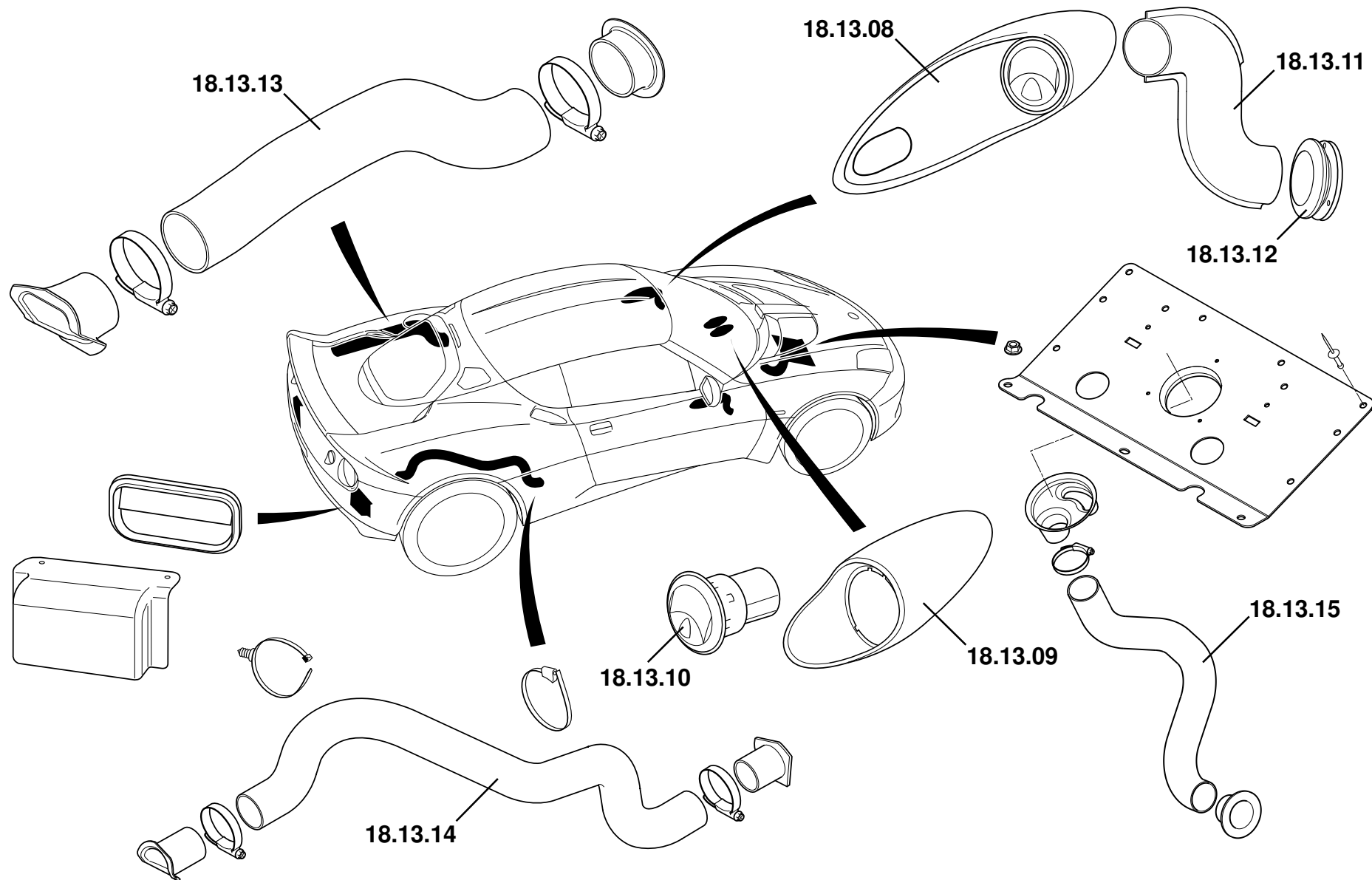


LOTUS EVORA STANDARD LABOUR TIMES.

Function Area: 18.00 Heating, Ventilation, Air Conditioning

Function Code: 18.13 Air Trunking, Ducts & Ventilators

Operation Code	Description	Op Type	Hours	Derivative
18.13.04-02	Duct, HVAC air intake	Renew	2.4	
18.13.05-01	Pollen filter	r&r	0.1	
18.13.05-02	Pollen filter	Renew	0.1	
18.13.06-02	Duct, pollen filter to heater/AC housing	Renew	2.4	
18.13.07-02	Duct, heater/AC housing to distribution plenum	Renew	7.2	



EVORA

18.13

Updated 28th February 2011



LOTUS EVORA STANDARD LABOUR TIMES.

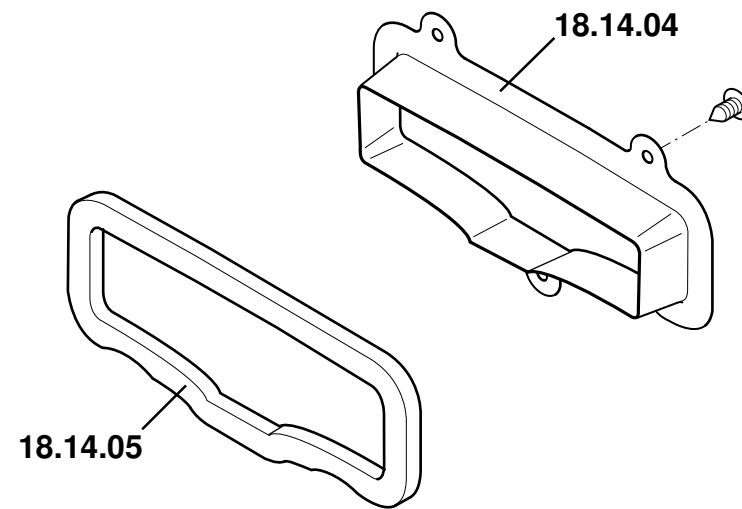
Function Area: 18.00 Heating, Ventilation, Air Conditioning

Function Code: 18.13 Air Trunking, Ducts & Ventilators

Operation Code	Description	Op Type	Hours	Derivative
18.13.08-01	Carrier/face level vent, door mounted (one)	r&r	0.3	
18.13.08-02	Carrier/face level vent, door mounted (one)	Renew	0.3	
18.13.09-01	Carrier, face vent, fascia mounted (one)	r&r	0.3	
18.13.09-02	Carrier, face vent, fascia mounted (one)	Renew	0.3	
18.13.10-01	Face level vent, fascia mounted (one)	r&r	0.3	
18.13.10-02	Face level vent, fascia mounted (one)	Renew	0.3	
18.13.11-01	Duct, door face level vent (one)	r&r	0.4	
18.13.11-02	Duct, door face level vent (one)	Renew	0.4	
18.13.12-01	Bellow, door face level vent duct (one)	r&r	0.1	
18.13.12-02	Bellow, door face level vent duct (one)	Renew	0.1	
18.13.13-01	Duct, cabin ventilation exit, LH	r&r	0.3	
18.13.13-02	Duct, cabin ventilator exit, LH	Renew	0.3	
18.13.14-01	Duct, cabin ventilation exit, RH	r&r	0.3	
18.13.14-02	Duct, cabin ventilation exit, RH	Renew	0.3	
18.13.15-02	Duct, footwell	Renew	0.2	

Function Code: 18.13, Page: 2

Updated 28th February 2011



EVORA

18.14



LOTUS EVORA STANDARD LABOUR TIMES.

Function Area: 18.00 Heating, Ventilation, Air Conditioning

Function Code: 18.14 AC Air Recirculation System

Operation Code	Description	Op Type	Hours	Derivative
18.14.04-02	Cowl, HVAC recirc. air inlet (incl. heater assy R & R)	Renew	7.5	
18.14.05-02	Foam seal, cowl to bulkhead (incl. heater assy R & R)	Renew	7.5	

WARNING

DO NOT face ear-facing child seat on this seat with airbag

DEATH OR SERIOUS INJURY can occur

A132U0315



MANUFACTURED BY LOTUS CARS LTD

NET. TYPE APPRO. NO. 0+ 4+

VEHICLE IDENT. NO. **SCCTC12219HN1000**

MAX. VEHICLE WEIGHT	Kg
MAX. COMBINED WEIGHT	Kg
MAX. AXLE WT. FRONT	1 - Kg
MAX. AXLE WT. REAR	2 - Kg

VIN.

PAINT CODE

E				
LOTUS				A132U0142

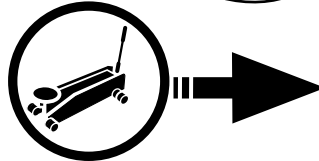
OBD

REFIT FILLER CAP
TURN CLOCKWISE
UNTIL 3 CLICKS
PREMIUM UNLEADED
FUEL ONLY

MAXIMUM ALLOWABLE MASS IN
LUGGAGE COMPARTMENT: ___kg

A132U0136

SCCTC12219HN1000



DANGER - TRAPPED FINGERS

WINDOW REGULATOR INCORPORATES AUTOMATIC SWITCHING. IT WILL NOT BE POSSIBLE TO SWITCH THE MOTOR OFF UNTIL IT HAS STARTED ITS CYCLE.

DISCONNECT VEHICLE BATTERY BEFORE WORKING ON WINDOW MIRROR SYSTEM.

EVORA

19.01

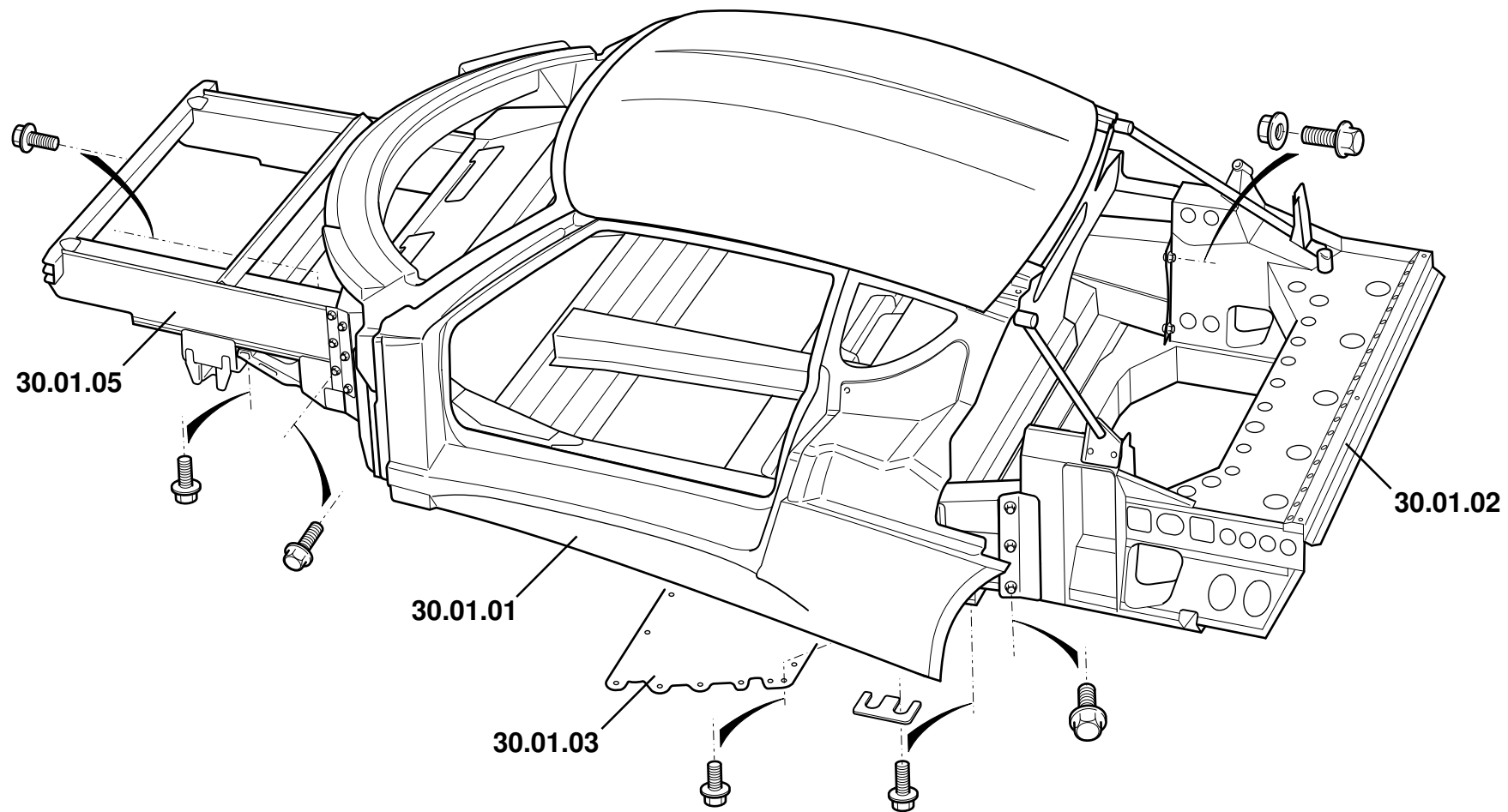


LOTUS EVORA STANDARD LABOUR TIMES.

Function Area: 19.00 Labels

Function Code: 19.01 Labels,Certificates, Literature etc.

Operation Code	Description	Op Type	Hours	Derivative
19.01.01-02	Label (any, one)	Renew	0.1	



EVORA
30.01

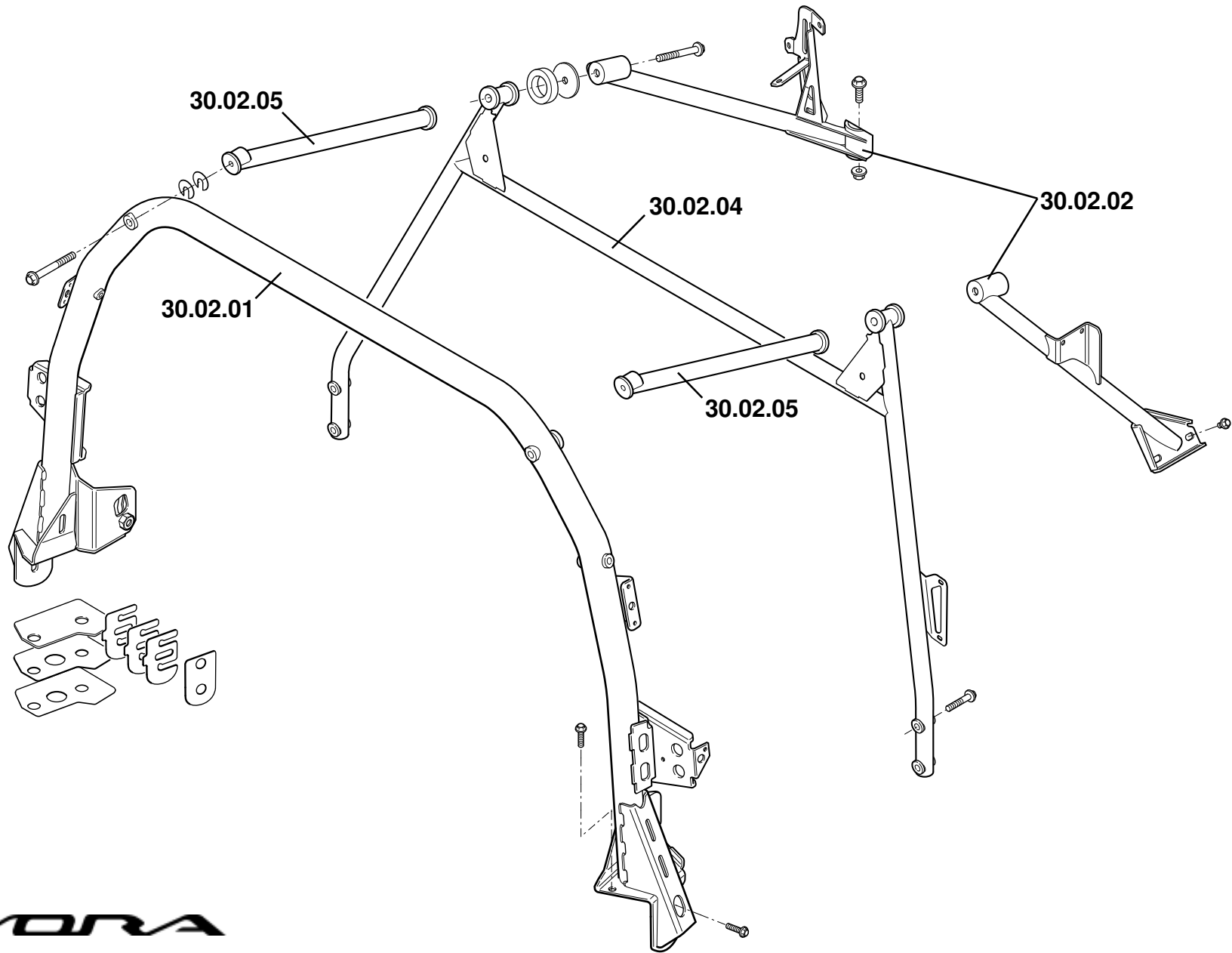


LOTUS EVORA STANDARD LABOUR TIMES.

Function Area: 30.00 Chassis

Function Code: 30.01 Chassis, Subframes

Operation Code	Description	Op Type	Hours	Derivative
30.01.01-02	Partial body assembly (excl. paint)	Renew	70.0	
30.01.02-01	Rear subframe assembly (complete with suspension & fittings)	r&r	15.7	
30.01.02-02	Rear subframe	Renew	35.7	
30.01.03-01	Shear panel	r&r	0.4	
30.01.03-02	Shear panel	Renew	0.4	
30.01.05-01	Front subframe assembly (complete with suspension & fittings)	r&r	10.1	
30.01.05-02	Front subframe	Renew	17.3	
30.01.99-99	Note: Time for resetting steering/suspension geometry included			



EVORA
30.02

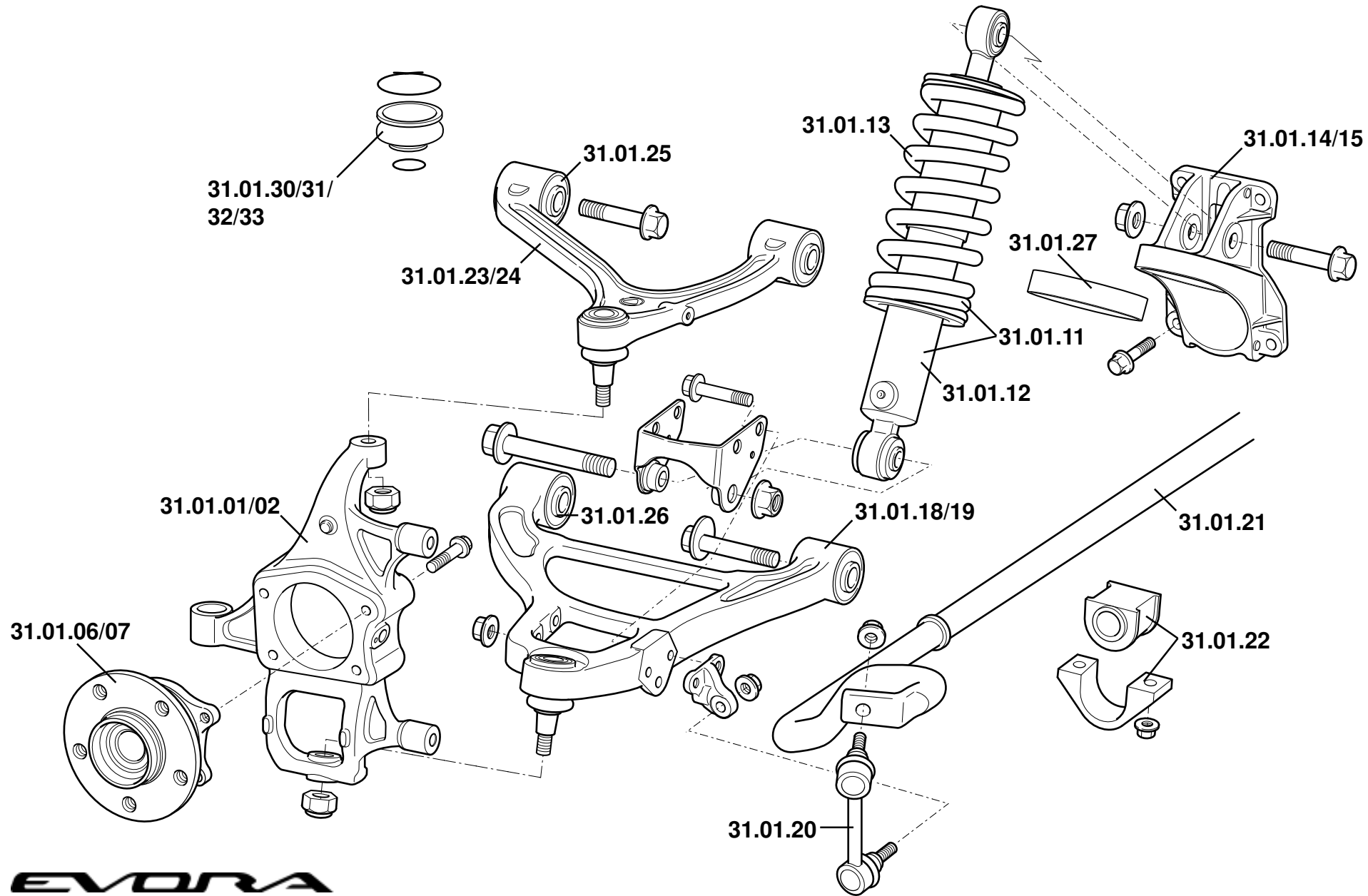


LOTUS EVORA STANDARD LABOUR TIMES.

Function Area: 30.00 Chassis

Function Code: 30.02 Seat Belt Mounting Frames, Stays

Operation Code	Description	Op Type	Hours	Derivative
30.02.01-TT	Seat belt mounting frame, front (part of partial body)	General	0.0	
30.02.02-01	Backstay frame (one)	r&r	0.5	
30.02.02-02	Backstay frame (one)	Renew	0.5	
30.02.04-TT	Seat belt mounting frame, rear (part of partial body)	General	0.0	
30.02.05-TT	Stay, front to rear bars (part of partial body)	General	0.0	
30.02.99-99	Seat belt mounting frames installed before bonded to body panels			



EVORA
31.01

Updated 6th June 2012



LOTUS EVORA STANDARD LABOUR TIMES.

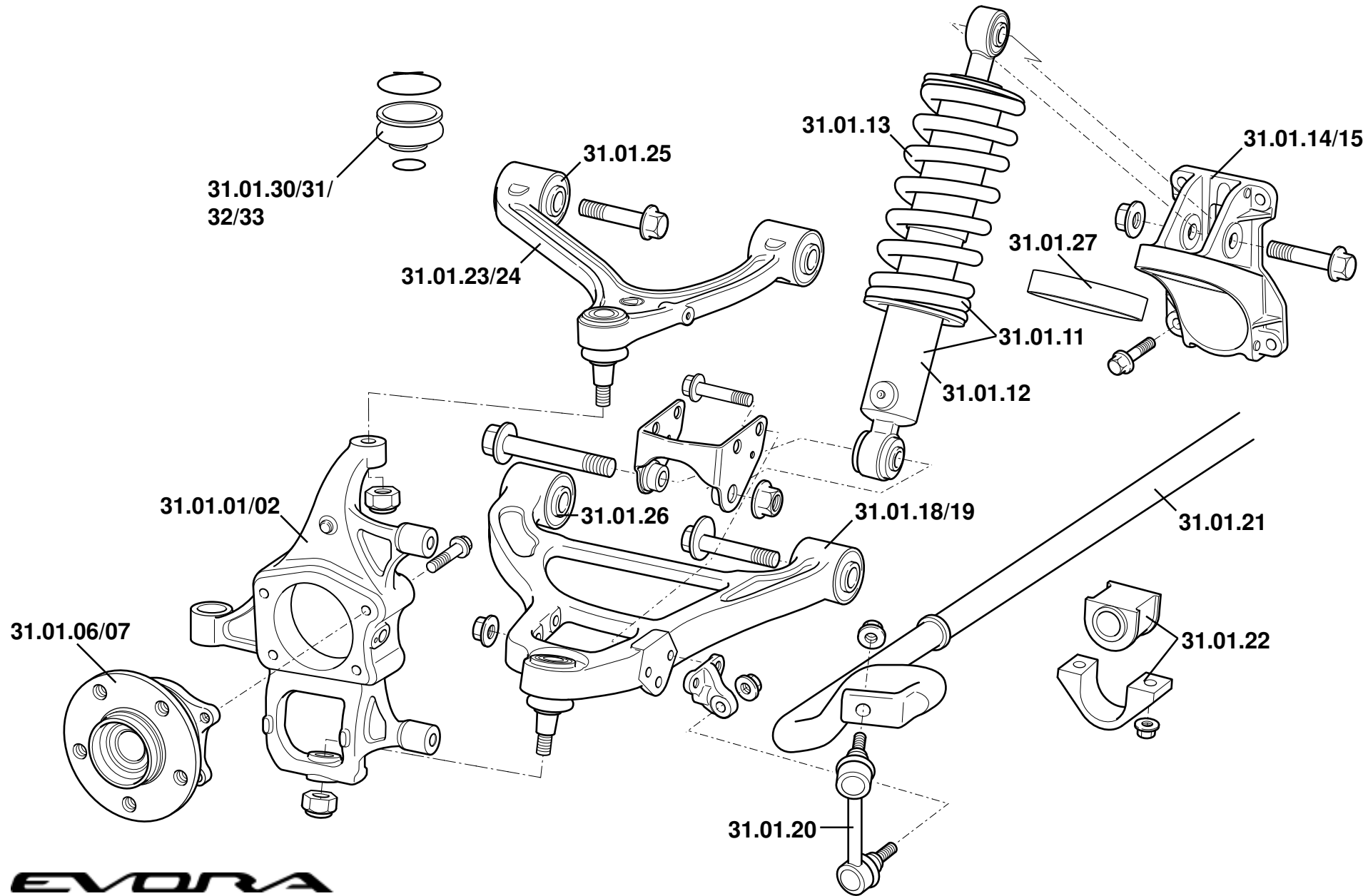
Function Area: 31.00 Suspension

Function Code: 31.01 Front Suspension, Incl. Hubs

Operation Code	Description	Op Type	Hours	Derivative
31.01.01-01	Hub Carrier, LH	r&r	1.4	
31.01.01-02	Hub Carrier, LH	Renew	1.4	
31.01.02-01	Hub Carrier, RH	r&r	1.4	
31.01.02-02	Hub Carrier, RH	Renew	1.4	
31.01.06-01	Wheel hub/bearing Assembly, LH	r&r	1.0	
31.01.06-02	Wheel hub/bearing Assembly, LH	Renew	1.0	
31.01.07-01	Wheel hub/bearing Assembly, RH	r&r	1.0	
31.01.07-02	Wheel hub/bearing Assembly, RH	Renew	1.0	
31.01.11-01	Spring and damper assembly (one)	r&r	0.9	
31.01.11-02	Spring and damper assembly (one)	Renew	0.9	
31.01.12-01	Damper (one)	r&r	1.0	
31.01.12-02	Damper (one)	Renew	1.0	
31.01.13-01	Road spring (one)	r&r	1.0	
31.01.13-02	Road spring (one)	Renew	1.0	
31.01.14-02	Bracket, damper top, LH	Renew	0.9	
31.01.15-02	Bracket, damper top, RH	Renew	0.9	
31.01.18-01	Wishbone assembly, lower, LH	r&r	0.9	
31.01.18-02	Wishbone assembly, lower, LH	Renew	0.9	
31.01.19-01	Wishbone assembly, lower, RH	r&r	0.9	
31.01.19-02	Wishbone assembly, lower, RH	Renew	0.9	
31.01.20-02	Anti-roll bar drop link (one)	Renew	0.3	
31.01.21-01	Anti-roll bar	r&r	1.0	
31.01.21-02	Anti-roll bar	Renew	1.0	
31.01.22-01	Anti-roll bar clamp/bush (one or both)	r&r	0.3	
31.01.22-02	Anti-roll bar clamp/bush (one or both)	Renew	0.3	

Function Code: 31.01, Page: 1

Updated 6th June 2012



EVORA
31.01

Updated 6th June 2012



LOTUS EVORA STANDARD LABOUR TIMES.

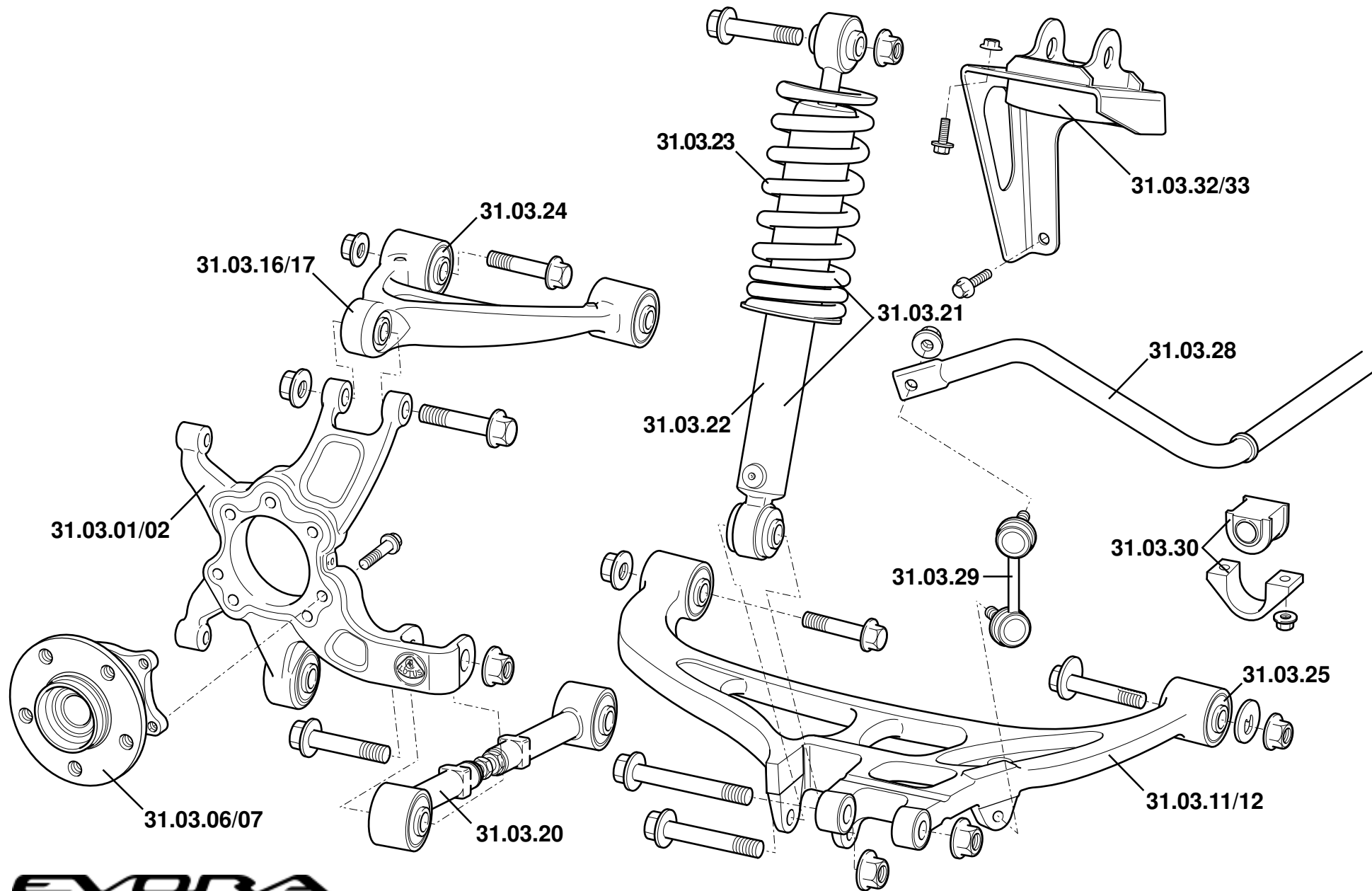
Function Area: 31.00 Suspension

Function Code: 31.01 Front Suspension, Incl. Hubs

Operation Code	Description	Op Type	Hours	Derivative
31.01.23-01	Wishbone assembly, upper, LH	r&r	0.8	
31.01.23-02	Wishbone assembly, upper, LH	Renew	0.8	
31.01.24-01	Wishbone assembly, upper, RH	r&r	0.8	
31.01.24-02	Wishbone assembly, upper, RH	Renew	0.8	
31.01.25-02	Wishbone pivot bush, upper (one or both)	Renew	1.0	
31.01.26-02	Wishbone pivot bush, lower (one or both)	Renew	1.1	
31.01.27-02	Spring seat, rubber top (one)	Renew	1.0	
31.01.28-00	Check and adjust full geometry	Adjust	1.0	
31.01.30-02	Gaiter, wishone ball joint, LH (one only)	Renew	0.7	
31.01.31-02	Gaiter, wishone ball joint, LH (both)	Renew	1.0	
31.01.32-02	Gaiter, wishone ball joint, RH (one only)	Renew	0.7	
31.01.33-02	Gaiter, wishone ball joint, RH (both)	Renew	1.0	

Function Code: 31.01, Page: 2

Updated 6th June 2012



EVORA
31.03



LOTUS EVORA STANDARD LABOUR TIMES.

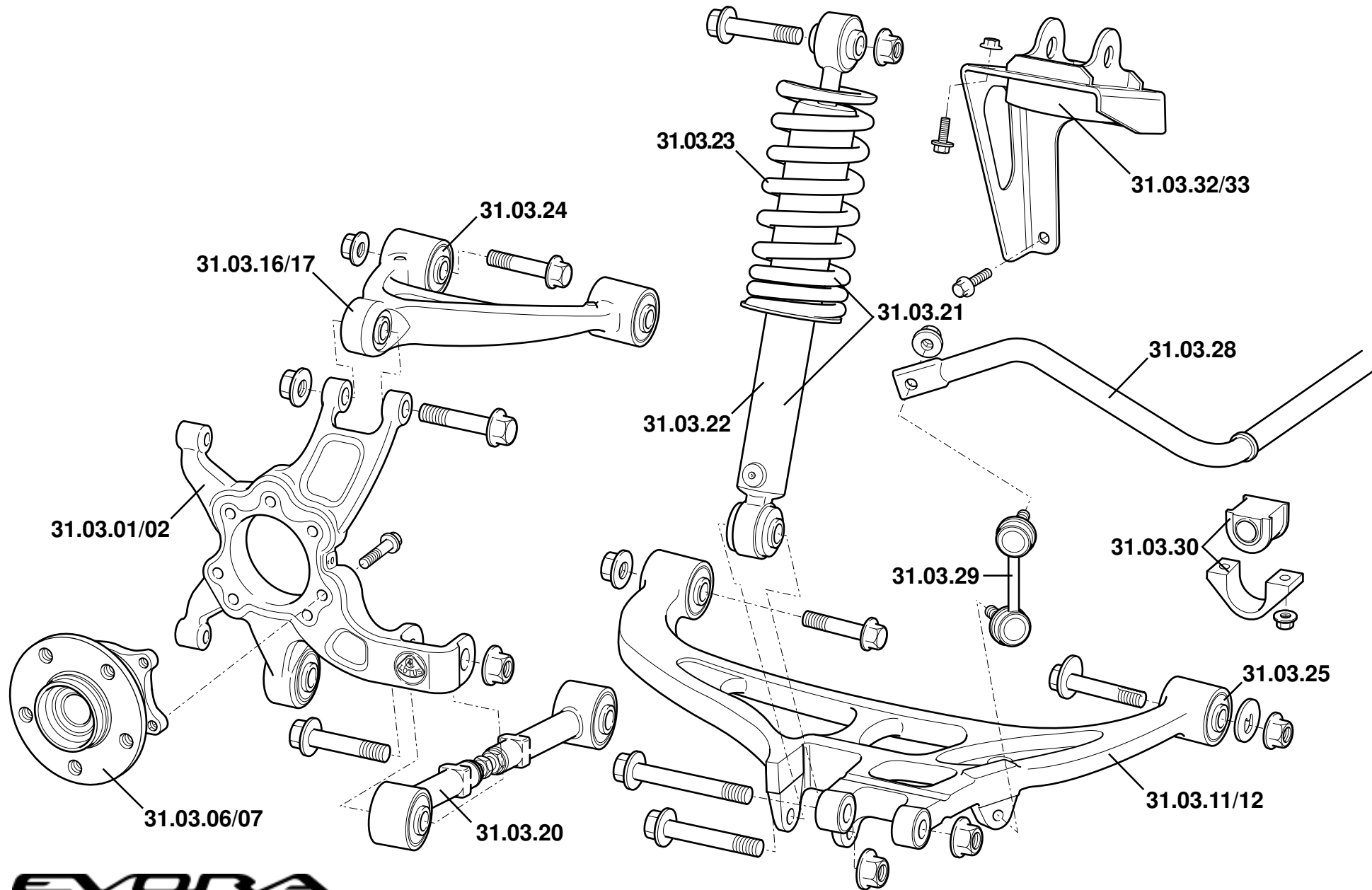
Function Area: 31.00 Suspension

Function Code: 31.03 Rear Suspension, Incl. Hubs

Operation Code	Description	Op Type	Hours	Derivative
31.03.01-01	Hub carrier, LH	r&r	1.6	
31.03.01-02	Hub carrier, LH	Renew	1.6	
31.03.02-01	Hub carrier, RH	r&r	1.6	
31.03.02-02	Hub carrier, RH	Renew	1.6	
31.03.06-01	Wheel hub/bearing assembly, LH	r&r	1.2	
31.03.06-02	Wheel hub/bearing assembly, LH	Renew	1.2	
31.03.07-01	Wheel hub/bearing assembly, RH	r&r	1.2	
31.03.07-02	Wheel hub/bearing assembly, RH	Renew	1.2	
31.03.11-01	Wishbone assembly, lower, LH	r&r	1.0	
31.03.11-02	Wishbone assembly, lower, LH	Renew	1.0	
31.03.12-01	Wishbone assembly, lower, RH	r&r	1.0	
31.03.12-02	Wishbone assembly, lower, RH	Renew	1.0	
31.03.16-01	Wishbone assembly, upper, LH	r&r	0.8	
31.03.16-02	Wishbone assembly, upper, LH	Renew	0.8	
31.03.17-01	Wishbone assembly, upper, RH	r&r	0.8	
31.03.17-02	Wishbone assembly, upper, RH	Renew	0.8	
31.03.20-00	Toe-link assembly (one)	Adjust	0.5	
31.03.20-02	Toe-link assembly (one)	Renew	0.6	
31.03.21-01	Spring and damper assembly (one)	r&r	0.5	
31.03.21-02	Spring and damper assembly (one)	Renew	0.5	
31.03.22-01	Damper (one)	r&r	0.6	
31.03.22-02	Damper (one)	Renew	0.6	
31.03.23-01	Road spring (one)	r&r	0.6	
31.03.23-02	Road spring (one)	Renew	0.6	
31.03.24-01	Wishbone pivot bush, upper (one or both)	Renew	1.0	

Function Code: 31.03, Page: 1

Updated 5th July 2010



EVORA
31.03

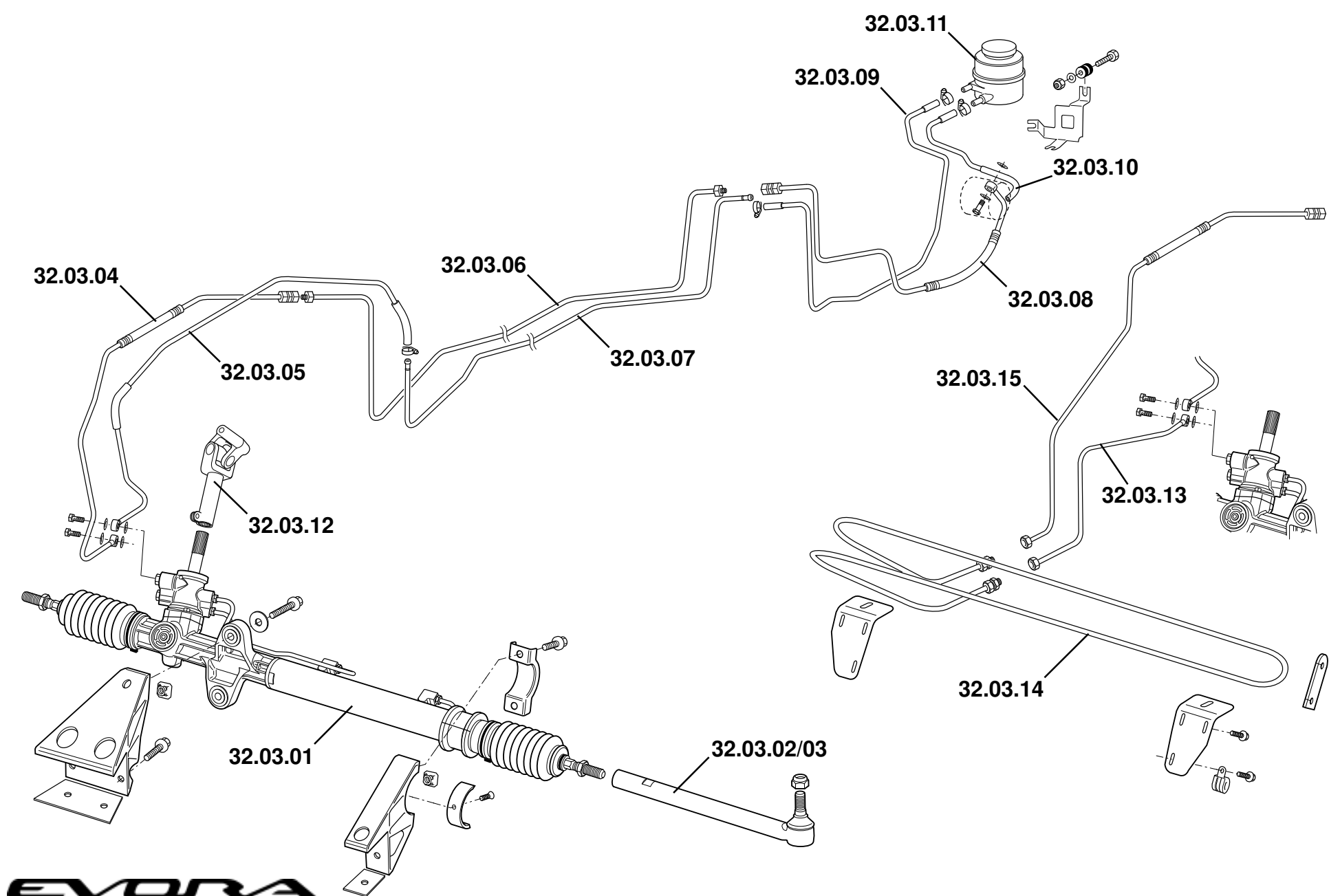


LOTUS EVORA STANDARD LABOUR TIMES.

Function Area: 31.00 Suspension

Function Code: 31.03 Rear Suspension, Incl. Hubs

Operation Code	Description	Op Type	Hours	Derivative
31.03.25-01	Wishbone pivot bush, lower (one or both)	Renew	1.2	
31.03.26-00	Check and adjust full geometry	Adjust	1.0	
31.03.28-01	Anti-roll bar	r&r	0.6	
31.03.28-02	Anti-roll bar	Renew	0.6	
31.03.29-02	Anti-roll bar drop link (one)	Renew	0.3	
31.03.30-01	Anti-roll bar clamp/bush (one or both)	r&r	0.3	
31.03.30-02	Anti-roll bar clamp/bush (one or both)	Renew	0.3	
31.03.32-02	Bracket, upper spring mounting, LH	Renew	0.5	
31.03.33-02	Bracket, upper spring mounting, RH	Renew	0.5	



EVORA
32.03

Updated 28th February 2011



LOTUS EVORA STANDARD LABOUR TIMES.

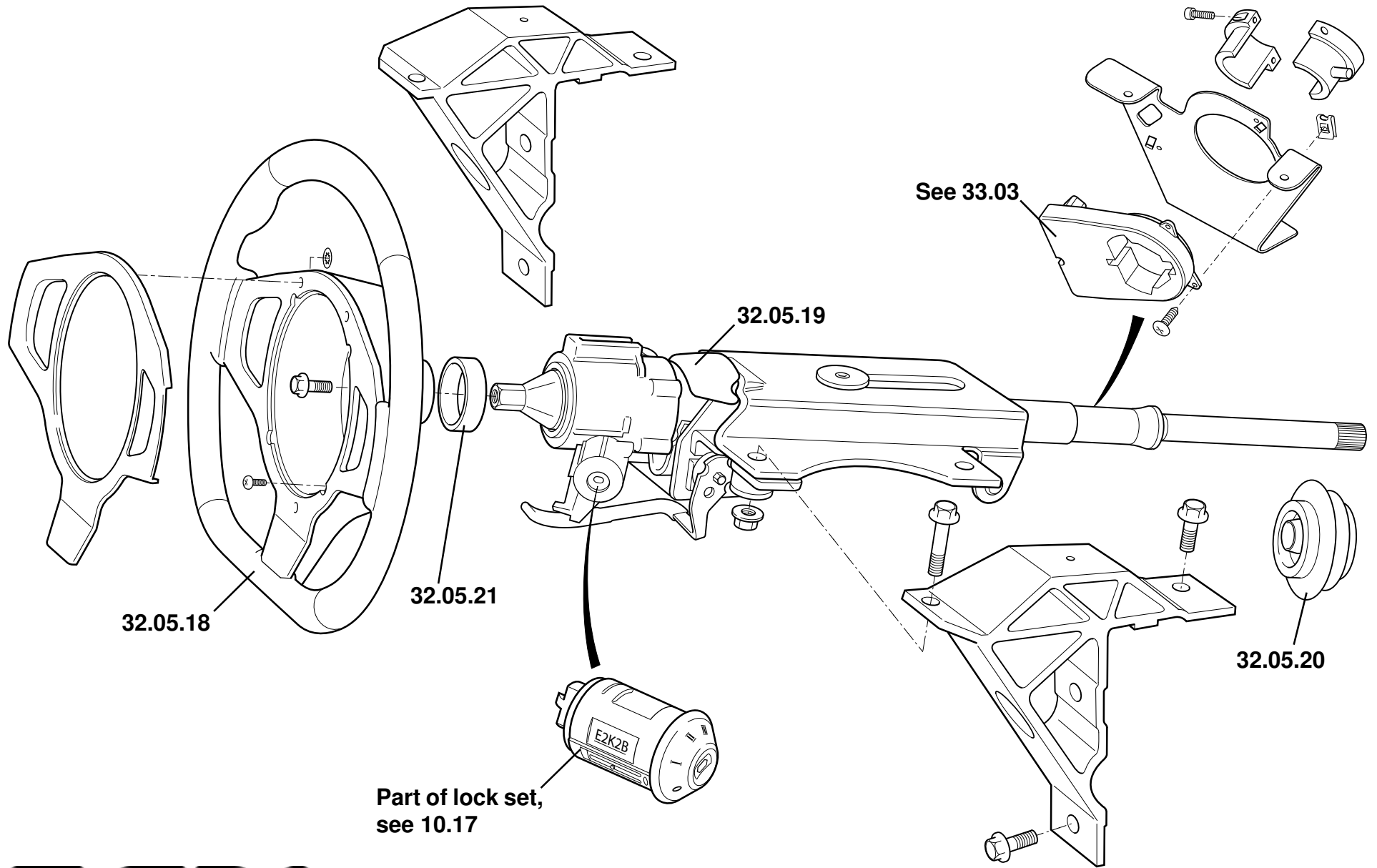
Function Area: 32.00 Steering

Function Code: 32.03 Power Steering unit, Reservoir, Plumbing

Operation Code	Description	Op Type	Hours	Derivative
32.03.01-01	Steering rack assembly (includes wheel alignment)	r&r	2.0	
32.03.01-02	Steering rack assmebly (includes wheel alignment)	Renew	2.0	
32.03.02-00	Wheel alignment (not to be used with any other 32.03 codes)	Adjust	0.5	
32.03.02-02	Track rod end/ball joint assy (one side, inc. wheel alignment)	Renew	0.7	
32.03.03-02	Track rod end/ball joint assy (both sides, inc. wheel alignment)	Renew	0.9	
32.03.04-02	Hose assembly, pressure, front	Renew	2.8	
32.03.05-02	Hose assembly, return, front	Renew	2.8	
32.03.06-02	Sill body pipe, pressure (sill removed)	Renew	0.7	
32.03.07-02	Sill body pipe, return (sill removed)	Renew	0.7	
32.03.08-02	Hose assembly, pressure, rear	Renew	0.9	
32.03.09-02	Hose assembly. return, rear	Renew	0.8	
32.03.10-02	Hose assembly, reservoir to pump	Renew	0.8	
32.03.11-02	Reservoir, power steering fluid	Renew	0.5	
32.03.12-01	Universal joint, steering column to rack	r&r	2.1	
32.03.12-02	Universal joint, steering column to rack	Renew	2.1	
32.03.13-02	Pipe, rack to cooler	Renew	0.8	
32.03.14-02	Pipe, cooler assembly	Renew	1.5	
32.03.15-02	Pipe, cooler to pump	Renew	2.0	

Function Code: 32.03, Page: 1

Updated 4th April 2013



EVORA
32.05

Updated 9th June 2011

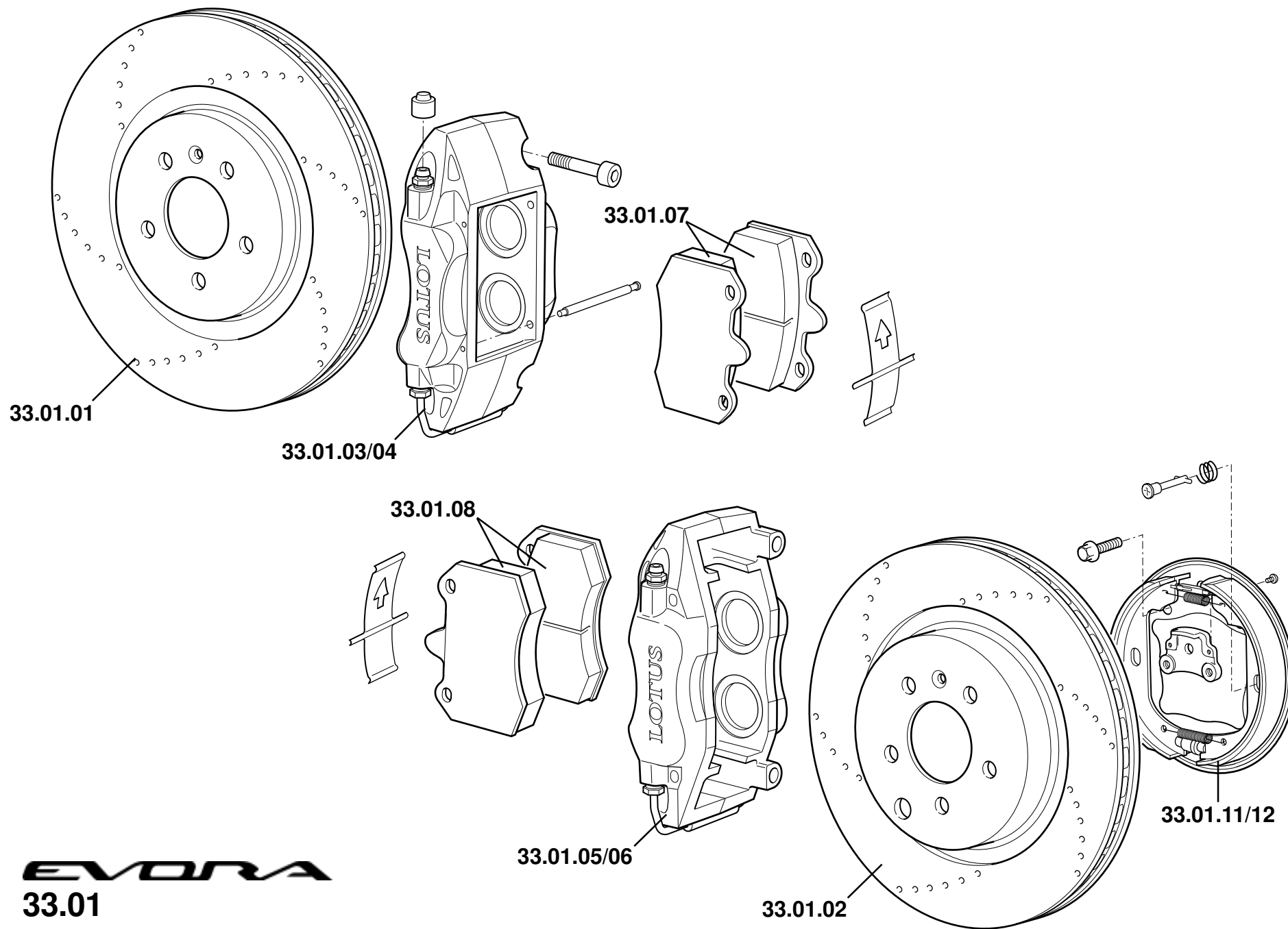


LOTUS EVORA STANDARD LABOUR TIMES.

Function Area: 32.00 Steering

Function Code: 32.05 Upper Column, Steering Wheel

Operation Code	Description	Op Type	Hours	Derivative
32.05.18-01	Steering wheel	r&r	0.6	
32.05.18-02	Steering wheel	Renew	0.6	
32.05.19-01	Steering column assembly	r&r	1.8	
32.05.19-02	Steering column assembly	Renew	1.9	
32.05.20-01	Gaiter, column through bulkhead	r&r	1.8	
32.05.20-02	Gaiter, column through bulkhead	Renew	1.8	
32.05.21-02	Spacer, steering wheel to column	Renew	0.7	



EVORA

33.01

33.01.02



LOTUS EVORA STANDARD LABOUR TIMES.

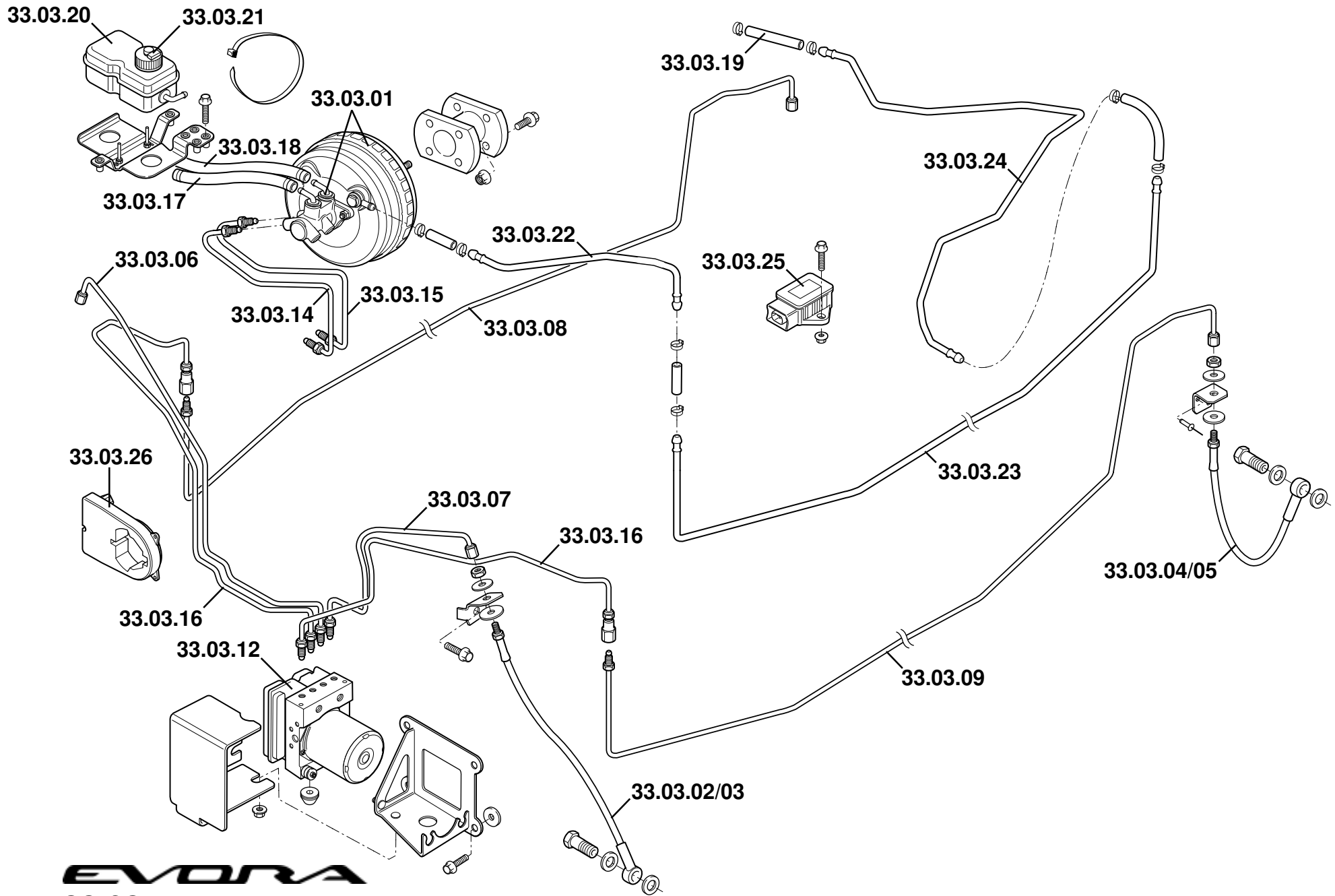
Function Area: 33.00 Brakes

Function Code: 33.01 Brake Discs, Calipers, & Parking Brake Assembly

Operation Code	Description	Op Type	Hours	Derivative
33.01.01-02	Brake disc, front (one)	Renew	0.5	
33.01.02-02	Brake disc, rear (one, incl. shoe adjustment)	Renew	0.6	
33.01.03-01	Caliper, front, RH (includes bleed)	r&r	0.7	
33.01.03-02	Caliper, front, RH (includes bleed)	Renew	0.7	
33.01.04-01	Caliper, front, LH (includes bleed)	r&r	0.7	
33.01.04-02	Caliper, front, LH (includes bleed)	Renew	0.7	
33.01.05-01	Caliper, rear, RH (includes bleed)	r&r	0.7	
33.01.05-02	Caliper, rear, RH (includes bleed)	Renew	0.7	
33.01.06-01	Caliper, rear, LH (includes bleed)	r&r	0.7	
33.01.06-02	Caliper, rear, LH (includes bleed)	Renew	0.7	
33.01.07-02	Brake pad set, front (both sides)	Renew	0.6	
33.01.08-02	Brake pad set, rear (both sides)	Renew	0.6	
33.01.11-01	Parking brake assembly, LH	r&r	1.0	
33.01.11-02	Parking brake assembly, LH	Renew	1.0	
33.01.12-01	Parking brake assembly, RH	r&r	1.0	
33.01.12-02	Parking brake assembly, RH	Renew	1.0	

Function Code: 33.01, Page: 1

Updated 6th June 2012



EVORA

33.03

Updated 4th April 2013



LOTUS EVORA STANDARD LABOUR TIMES.

Function Area: 33.00 Brakes

Function Code: 33.03 Master Cylinder, Servo, ABS Controller, Pipes & Hoses

Operation Code	Description	Op Type	Hours	Derivative
33.03.00-02	Brake system bleed (single repair only, not to be added with below)	Renew	0.6	
33.03.01-01	Master cylinder/servo assembly (includes bleed & clam R&R)	r&r	3.4	
33.03.01-02	Master cylinder/servo assembly (includes bleed & clam R&R)	Renew	3.4	
33.03.02-02	Hose, front, RH (includes bleed)	Renew	0.6	
33.03.03-02	Hose, front, LH (includes bleed)	Renew	0.6	
33.03.04-02	Hose, rear, RH (includes bleed)	Renew	0.6	
33.03.05-02	Hose, rear, LH (includes bleed)	Renew	0.6	
33.03.06-02	Brake pipe, front, RH (includes bleed & clam R&R)	Renew	2.7	
33.03.07-02	Brake pipe, front, LH (includes bleed & clam R&R)	Renew	2.7	
33.03.08-02	Brake pipe, front to rear sill, RH (includes bleed) (sill removed)	Renew	1.0	
33.03.09-02	Brake pipe, front to rear sill, LH (includes bleed) (sill removed)	Renew	1.0	
33.03.12-01	ABS module (includes bleed)	r&r	1.7	
33.03.12-02	ABS module (includes bleed)	Renew	1.7	
33.03.14-02	Brake pipe, ABS to master cyl, front port (incl. bleed & clam R&R)	Renew	3.0	
33.03.15-02	Brake pipe, ABS to master cyl, rear port (incl. bleed & clam R&R)	Renew	3.0	
33.03.16-02	Brake pipe, ABS to sill (includes bleed & clam R&R)	Renew	2.7	
33.03.17-02	Hose, reservoir to master cylinder, front port (includes clam R&R)	Renew	2.3	
33.03.18-02	Hose, reservoir to master cylinder, rear port (includes clam R&R)	Renew	2.3	
33.03.19-02	Hose, vacuum servo to engine	Renew	0.2	
33.03.20-02	Reservoir, master cylinder	Renew	0.2	
33.03.21-02	Reservoir cap, master cylinder	Renew	0.1	
33.03.22-02	Pipe, vacuum servo to engine, front (includes clam R&R)	Renew	2.3	
33.03.23-02	Sill body pipe, vacuum servo to engine (sill removed)	Renew	0.5	
33.03.24-02	Pipe, vacuum servo to engine, rear	Renew	0.8	
33.03.25-01	Yaw rate sensor	r&r	0.8	

Function Code: 33.03, Page: 1

Updated 1st December 2013

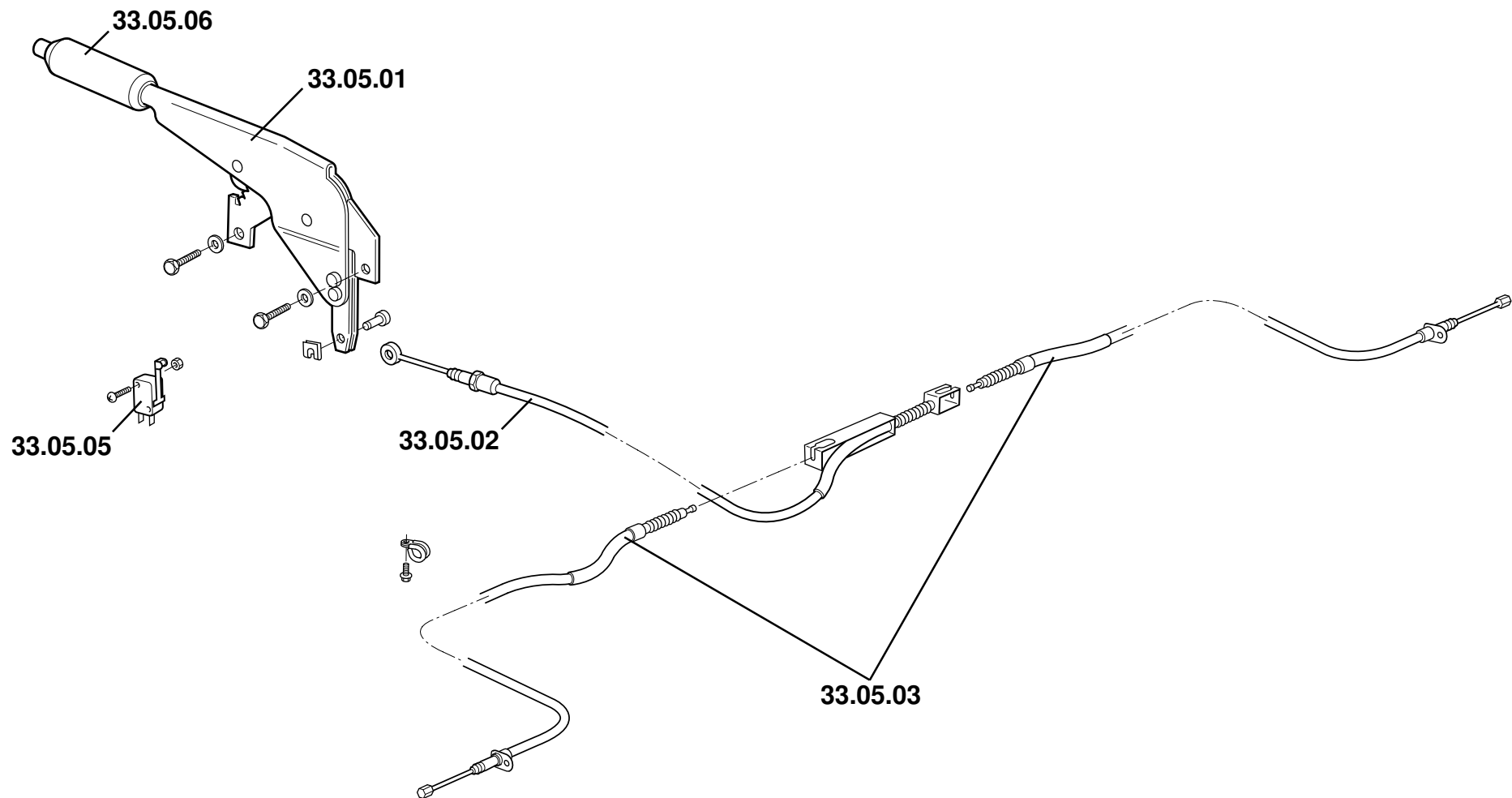


LOTUS EVORA STANDARD LABOUR TIMES.

Function Area: 33.00 Brakes

Function Code: 33.03 Master Cylinder, Servo, ABS Controller, Pipes & Hoses

Operation Code	Description	Op Type	Hours	Derivative
33.03.25-02	Yaw rate sensor	Renew	0.8	
33.03.26-01	Steering angle sensor	r&r	1.8	
33.03.26-02	Steering angle sensor	Renew	1.8	



EVORA
33.05

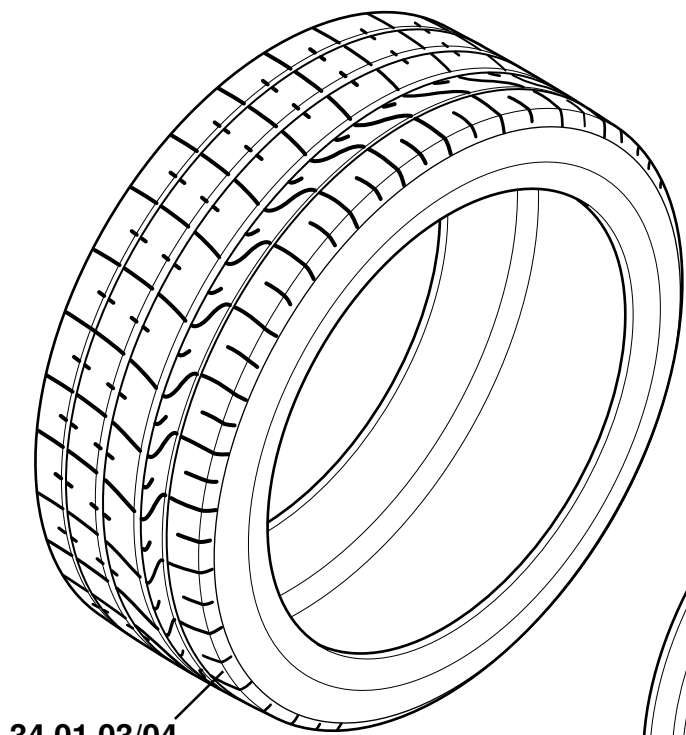


LOTUS EVORA STANDARD LABOUR TIMES.

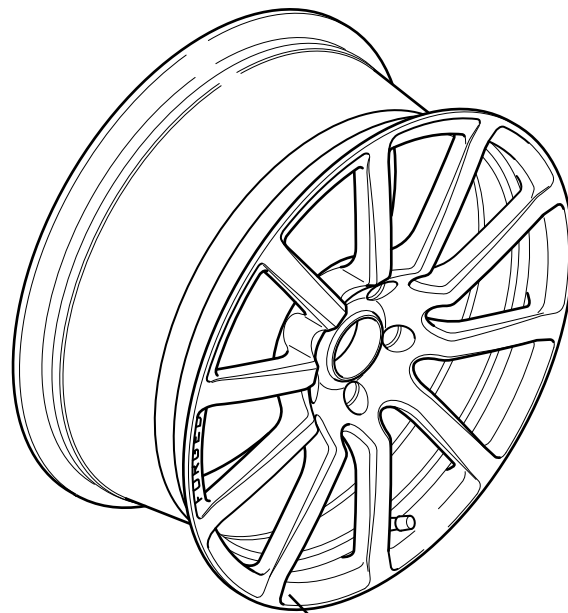
Function Area: 33.00 Brakes

Function Code: 33.05 Parking Brake Mechanism

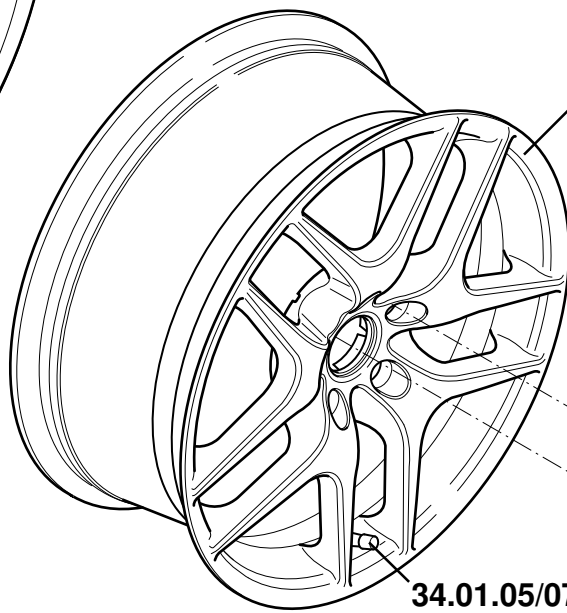
Operation Code	Description	Op Type	Hours	Derivative
33.05.01-01	Parking brake lever assembly	r&r	0.8	
33.05.01-02	Parking brake lever assembly	Renew	0.8	
33.05.02-02	Parking brake cable, front	Renew	1.2	
33.05.03-02	Parking brake cable, rear	Renew	0.6	
33.05.05-01	Switch, parking brake tell-tale	r&r	0.8	
33.05.05-02	Switch, parking brake tell-tale	Renew	0.8	
33.05.06-02	Hand grip, parking brake lever	Renew	0.1	



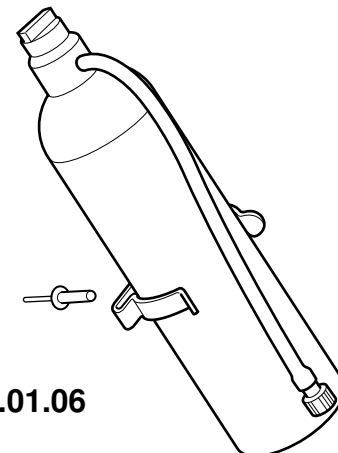
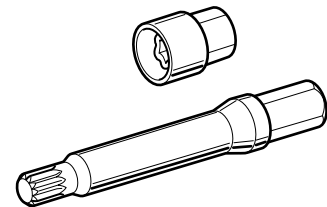
34.01.03/04



34.01.01/02



34.01.05/07



34.01.06

34.01.08

EVORA

34.01

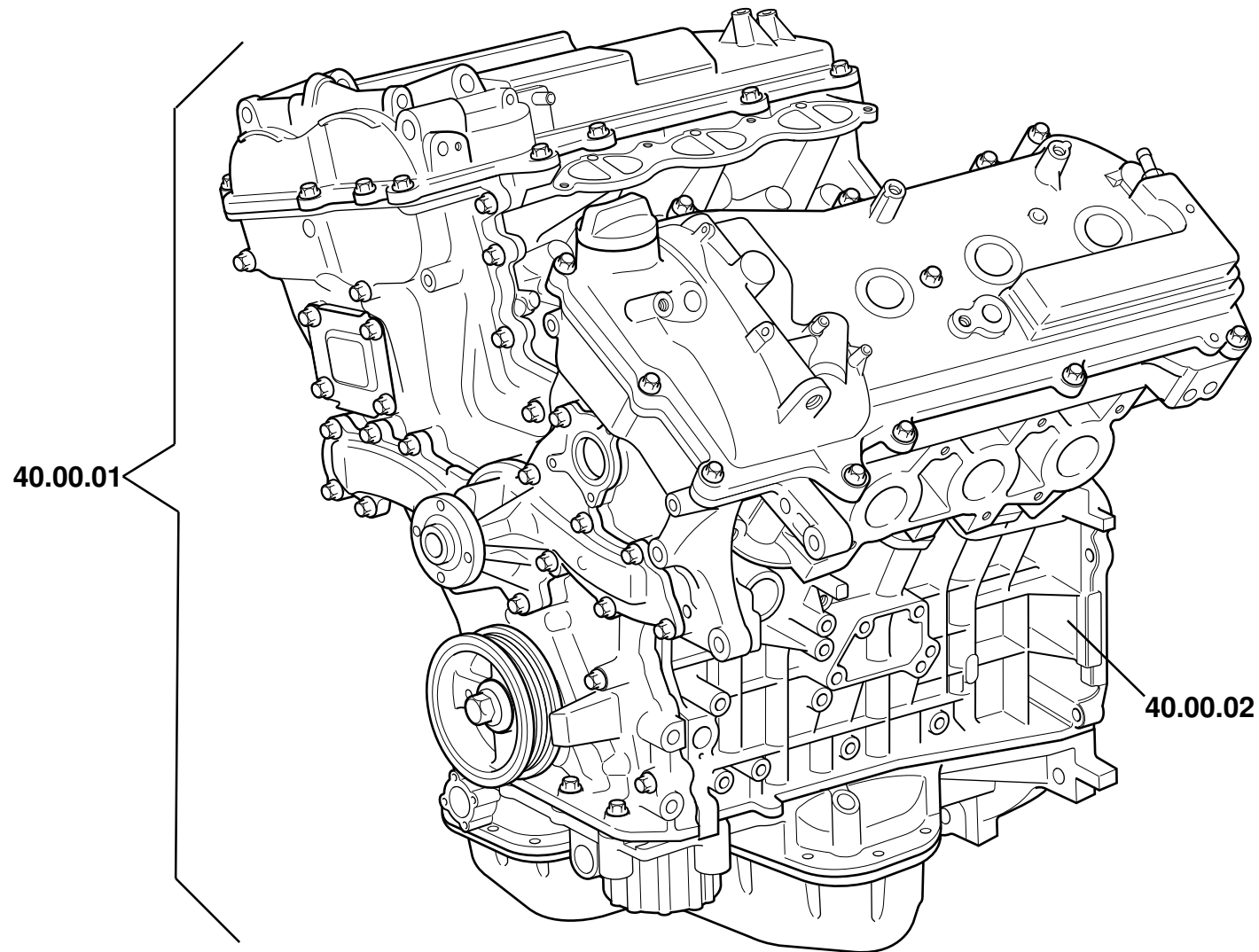


LOTUS EVORA STANDARD LABOUR TIMES.

Function Area: 34.00 Wheels & Tyres

Function Code: 34.01 Wheels, Tyres & Valves

Operation Code	Description	Op Type	Hours	Derivative
34.01.01-02	Road wheel, front (one, including balance)	Renew	0.4	
34.01.02-02	Road wheel, rear (one, including balance)	Renew	0.4	
34.01.03-02	Tyre, front (one, including balance)	Renew	0.4	
34.01.04-02	Tyre, rear (one, including balance)	Renew	0.4	
34.01.05-02	Tyre valve (one, including balance)	Renew	0.4	
34.01.06-02	Wheelbolts (whole vehicle set)	Renew	0.4	
34.01.07-02	Tyre valve/TPMS transmitter (one, including balance)	Renew	0.4	
34.01.08-02	Wheel centre cover, (one)	Renew	0.2	



EVORA
40.00

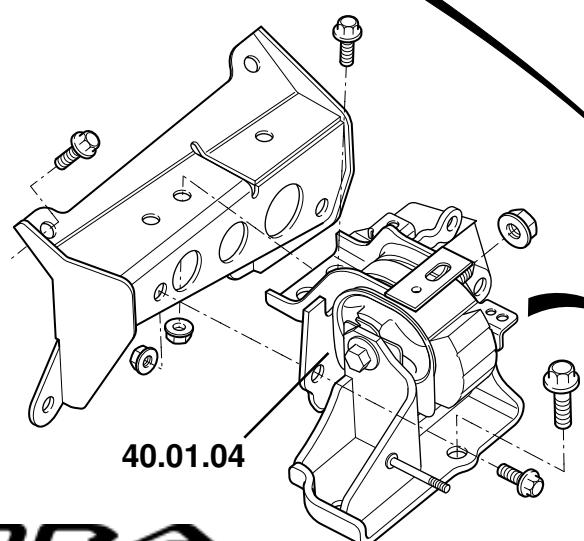
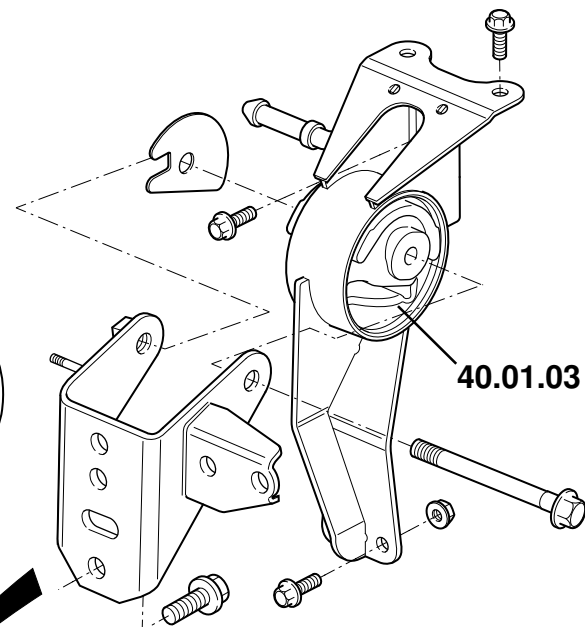
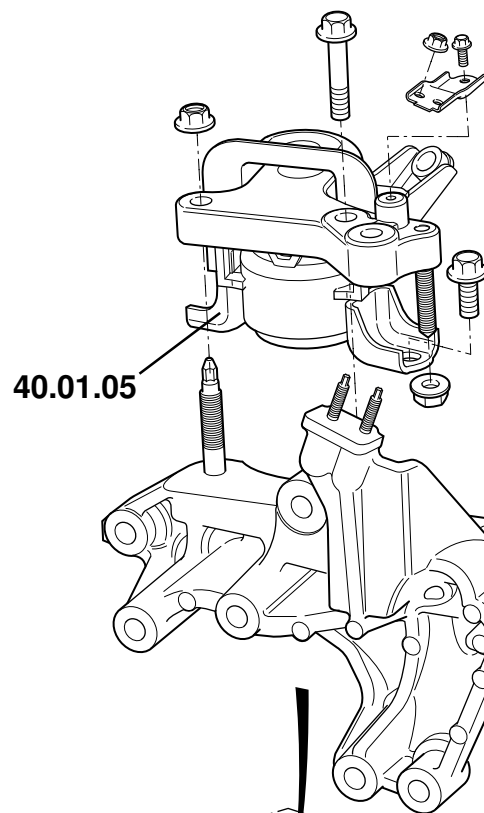
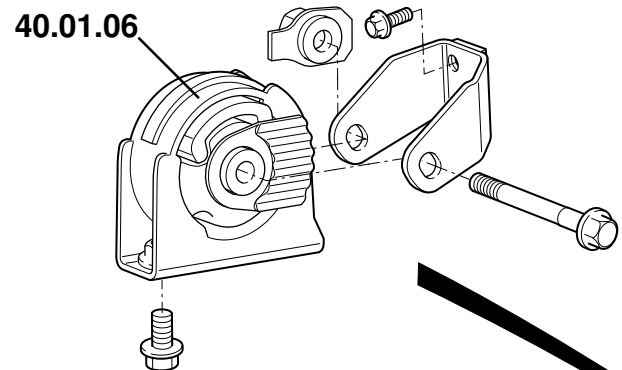


LOTUS EVORA STANDARD LABOUR TIMES.

Function Area: 40.00 Engine

Function Code: 40.00 Engine Assemblies

Operation Code	Description	Op Type	Hours	Derivative
40.00.01-01	Engine assembly (includes seperation from gearbox)	r&r	29.5	
40.00.01-02	Engine assembly	Renew	31.6	
40.00.02-02	Short engine block assembly	Renew	39.5	



EVORA
40.01

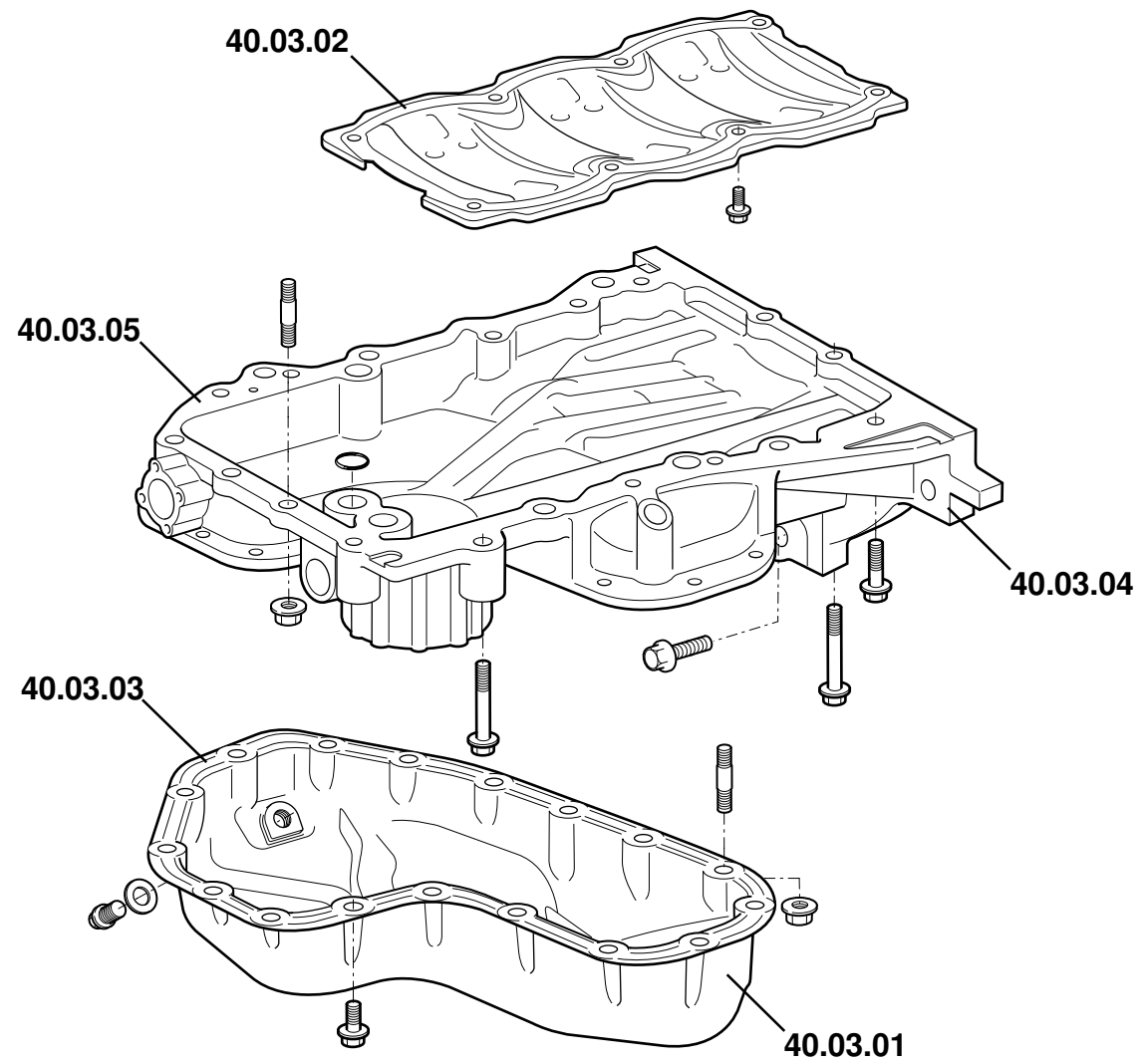


LOTUS EVORA STANDARD LABOUR TIMES.

Function Area: 40.00 Engine

Function Code: 40.01 Engine Mounts

Operation Code	Description	Op Type	Hours	Derivative
40.01.03-01	Engine mounting, rear	r&r	1.0	
40.01.03-02	Engine mounting, rear	Renew	1.0	
40.01.04-01	Engine mounting, LH	r&r	0.6	
40.01.04-02	Engine mounting, LH	Renew	0.6	
40.01.05-01	Engine mounting, RH	r&r	0.6	
40.01.05-02	Engine mounting, RH	Renew	0.6	
40.01.06-01	Engine mounting, front	r&r	0.8	
40.01.06-02	Engine mounting, front	Renew	0.8	



EVORA
40.03

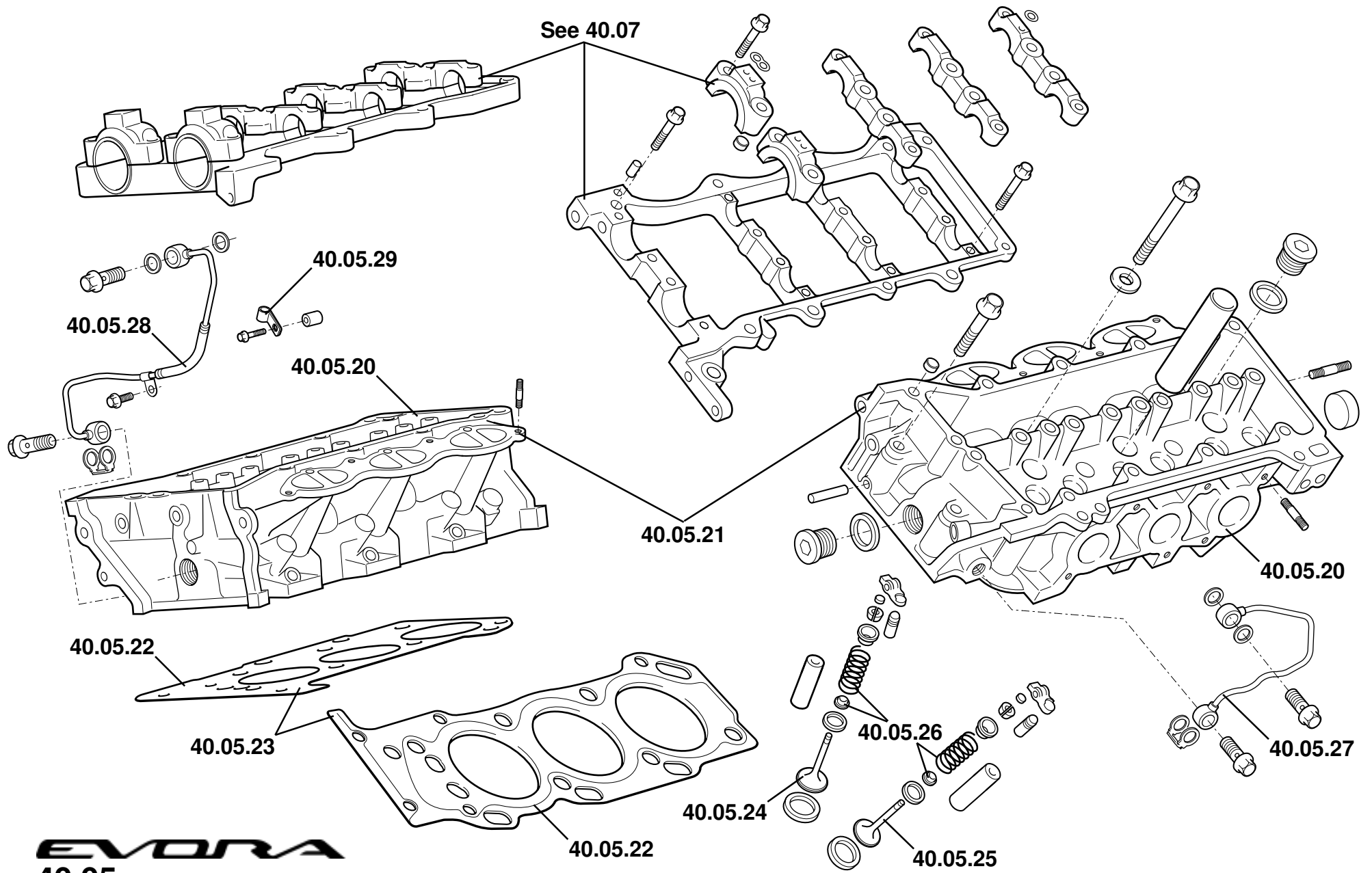


LOTUS EVORA STANDARD LABOUR TIMES.

Function Area: 40.00 Engine

Function Code: 40.03 Sump Assembly

Operation Code	Description	Op Type	Hours	Derivative
40.03.01-01	Oil sump, lower	r&r	1.8	
40.03.01-02	Oil sump, lower	Renew	1.8	
40.03.02-01	Baffle pan (engine removed)	r&r	2.5	
40.03.02-02	Baffle pan (engine removed)	Renew	2.5	
40.03.03-02	Oil sump gasket, lower to upper	Renew	2.1	
40.03.04-02	Oil sump, upper (engine removed)	Renew	2.1	
40.03.05-02	Oil sump gasket, upper to block (engine removed)	Renew	2.4	



EVORA
40.05

Updated 4th April 2013

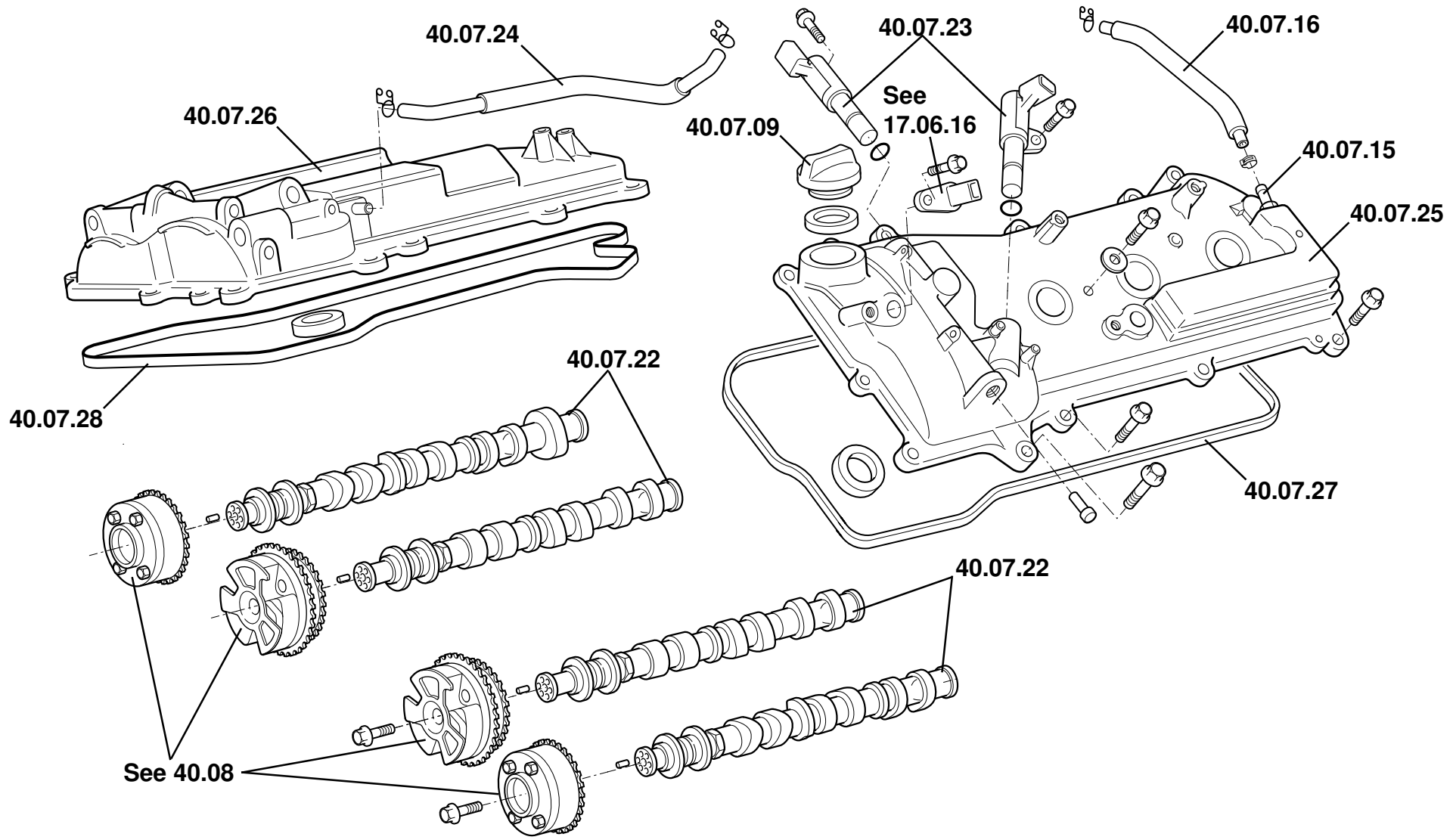


LOTUS EVORA STANDARD LABOUR TIMES.

Function Area: 40.00 Engine

Function Code: 40.05 Cylinder Head , Valves, Springs

Operation Code	Description	Op Type	Hours	Derivative
40.05.20-01	Cylinder head (one side) (left built up) (engine removed)	r&r	6.9	
40.05.20-02	Cylinder head (one side) (incl. R & R valves etc.) (engine removed)	Renew	10.3	
40.05.21-01	Cylinder head (both sides) (left built up) (engine removed)	r&r	9.0	
40.05.21-02	Cylinder head (both sides) (incl. R & R valves etc.) (engine removed)	Renew	15.8	
40.05.22-02	Cylinder head gasket (one side) (engine removed)	Renew	6.9	
40.05.23-02	Cylinder head gasket (both sides) (engine removed)	Renew	9.0	
40.05.24-02	Inlet valve (each) (also claim 40052001 or 40052101)	Renew	0.2	
40.05.25-02	Exhaust valve (each) (also claim 40052001 or 40052101)	Renew	0.2	
40.05.26-02	Valve spring/oil seal (each) (also claim 40052001 or 40052101)	Renew	0.1	
40.05.27-02	Oil control valve pipe, LH	Renew	1.1	
40.05.28-02	Oil control valve pipe, RH	Renew	2.5	
40.05.29-02	Oil control pipe, 'P' clip	Renew	0.6	



EVORA
40.07

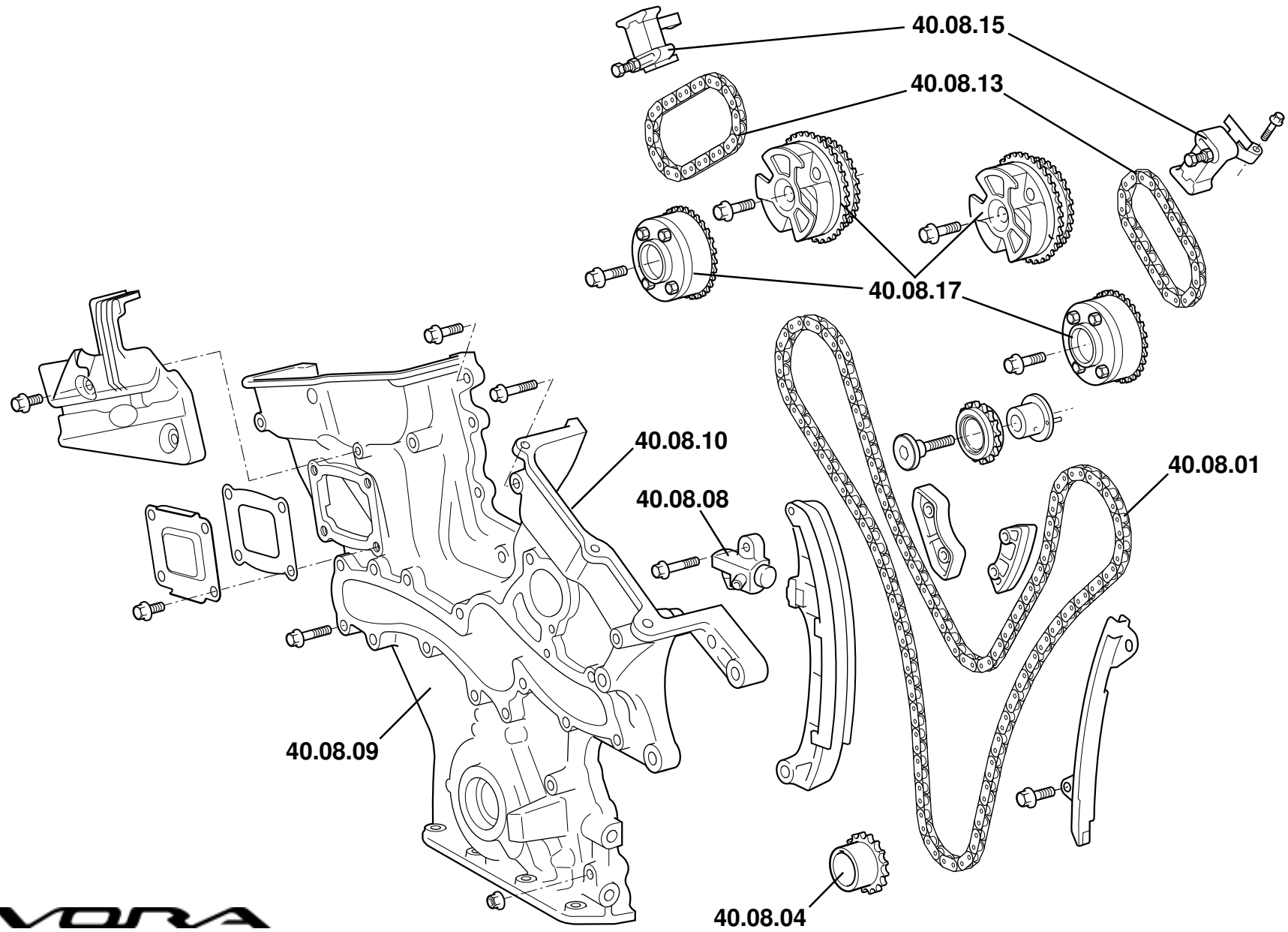


LOTUS EVORA STANDARD LABOUR TIMES.

Function Area: 40.00 Engine

Function Code: 40.07 Camshafts, Tappets, Cam Cover

Operation Code	Description	Op Type	Hours	Derivative
40.07.09-02	Oil filler cap	Renew	0.1	
40.07.15-02	PCV Valve	Renew	0.2	
40.07.16-02	Hose, PCV Valve to inlet tank	Renew	0.1	
40.07.22-02	Camshaft/housing (all) (engine removed)	Renew	7.3	
40.07.23-02	Valve assembly, cam timing control (one)	Renew	0.2	
40.07.24-02	Ventilation hose, RH cam cover to intake plenum	Renew	0.4	
40.07.25-02	Cam cover, LH	Renew	0.7	
40.07.26-02	Cam cover, RH	Renew	1.2	
40.07.27-02	Gasket, cam cover, LH	Renew	0.8	
40.07.28-02	Gasket, cam cover, RH	Renew	1.3	



EVORA
40.08

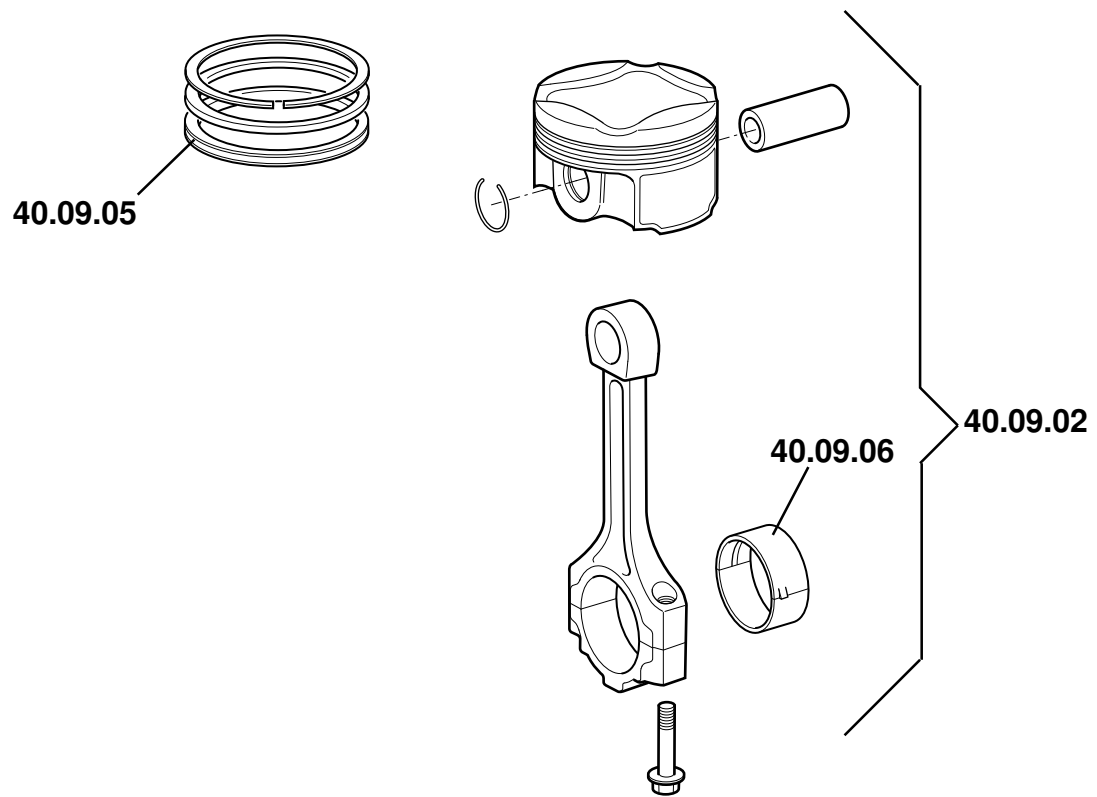


LOTUS EVORA STANDARD LABOUR TIMES.

Function Area: 40.00 Engine

Function Code: 40.08 Camshaft Drive Chain & Sprockets

Operation Code	Description	Op Type	Hours	Derivative
40.08.01-02	Timing chain No.1 (engine removed)	Renew	4.8	
40.08.04-02	Sprocket, crankshaft (engine removed)	Renew	4.7	
40.08.08-02	Timing chain No.1 tensioner (engine removed)	Renew	4.8	
40.08.09-01	Timing chain cover (engine removed)	r&r	4.3	
40.08.09-02	Timing chain cover (engine removed)	Renew	4.3	
40.08.10-02	Timing chain cover gasket (engine removed)	Renew	4.3	
40.08.13-02	Timing chain No.2 (one or both) (engine removed)	Renew	5.3	
40.08.15-02	Timing chain No.2 tensioner (one or both) (engine removed)	Renew	5.3	
40.08.17-02	Sprocket, inlet and/or exhaust (one or both) (engine removed)	Renew	5.2	



EVORA
40.09

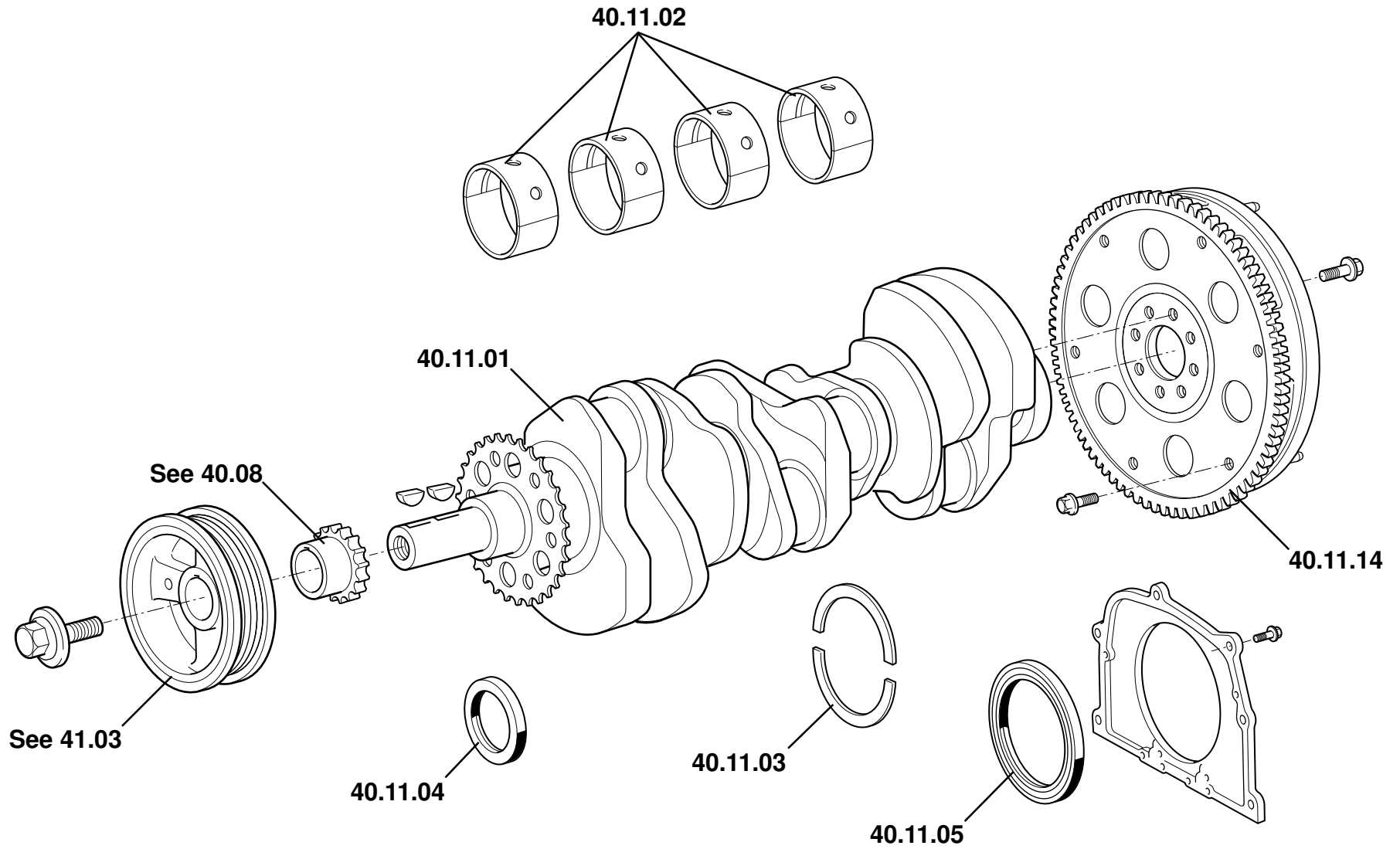


LOTUS EVORA STANDARD LABOUR TIMES.

Function Area: 40.00 Engine

Function Code: 40.09 Pistons, Con-rods, Liners

Operation Code	Description	Op Type	Hours	Derivative
40.09.02-02	Piston & con-rod assembly (all) (engine removed)	Renew	11.1	
40.09.05-02	Piston ring set (engine removed)	Renew	11.4	
40.09.06-02	Big end bearing set (engine removed)	Renew	11.1	



EVORA

40.11

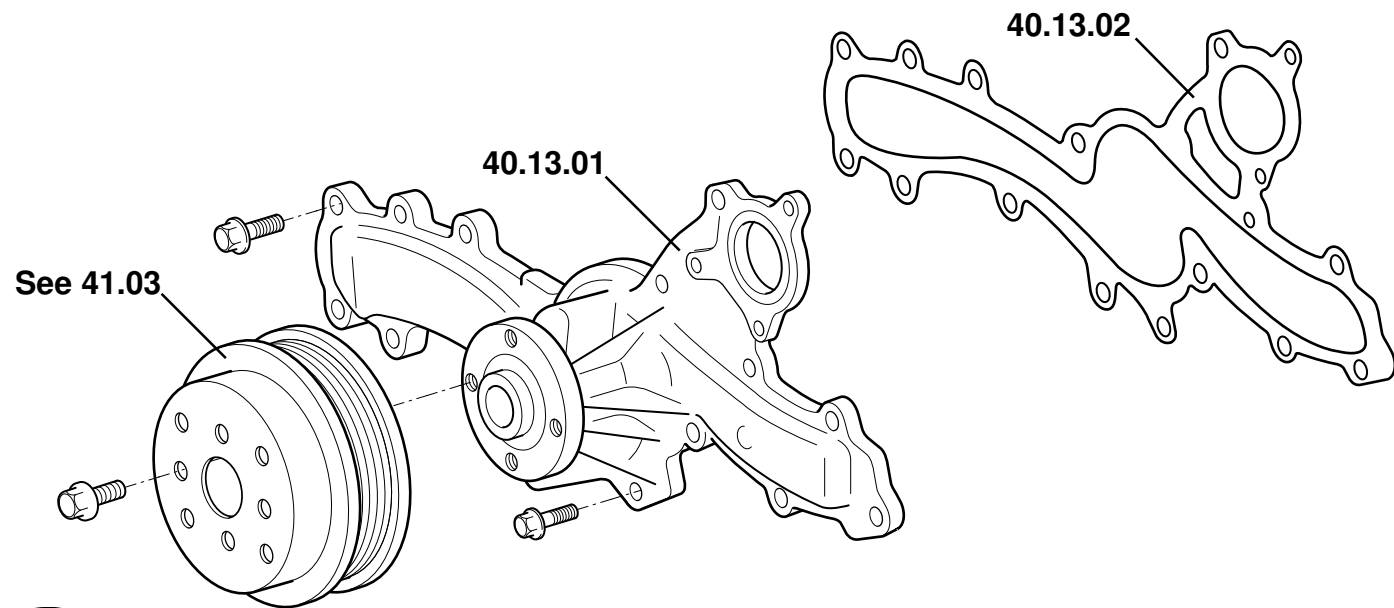
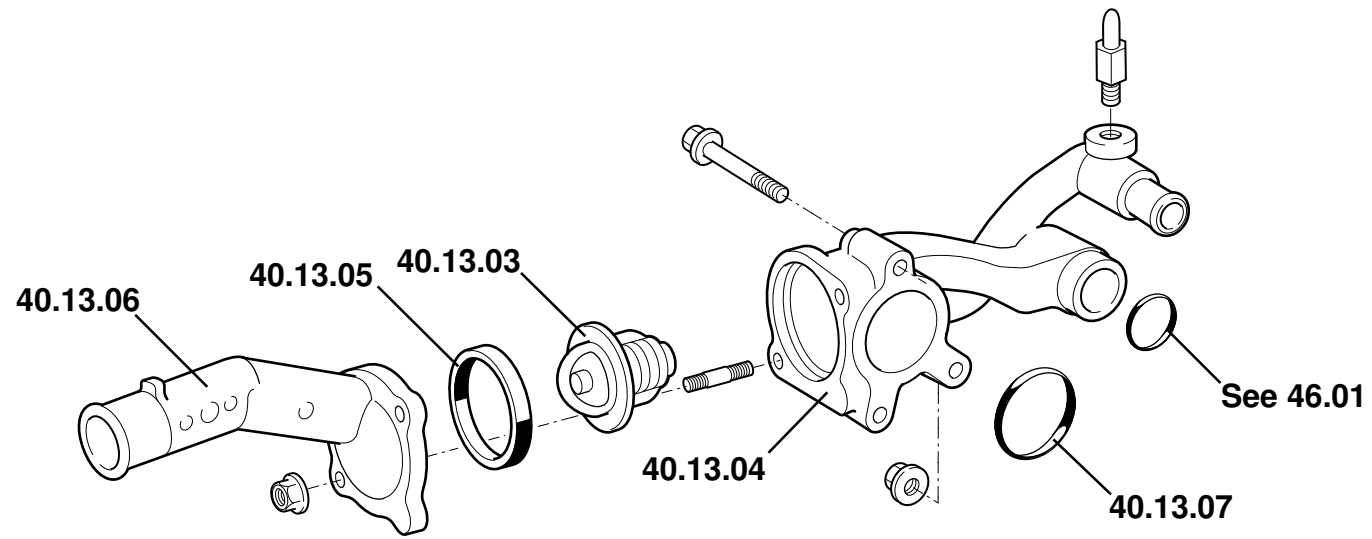


LOTUS EVORA STANDARD LABOUR TIMES.

Function Area: 40.00 Engine

Function Code: 40.11 Crankshaft, Bearings, Flywheel

Operation Code	Description	Op Type	Hours	Derivative
40.11.01-01	Crankshaft (engine removed)	r&r	11.1	
40.11.01-02	Crankshaft (engine removed)	Renew	11.1	
40.11.02-02	Main bearing set (engine removed)	Renew	11.1	
40.11.03-02	Thrust washers (engine removed)	Renew	11.1	
40.11.04-02	Crankshaft oil seal, front	Renew	0.8	
40.11.05-02	Crankshaft oil seal, rear (engine removed)	Renew	0.9	
40.11.14-02	Flywheel (engine removed)	Renew	0.7	



EVORA
40.13

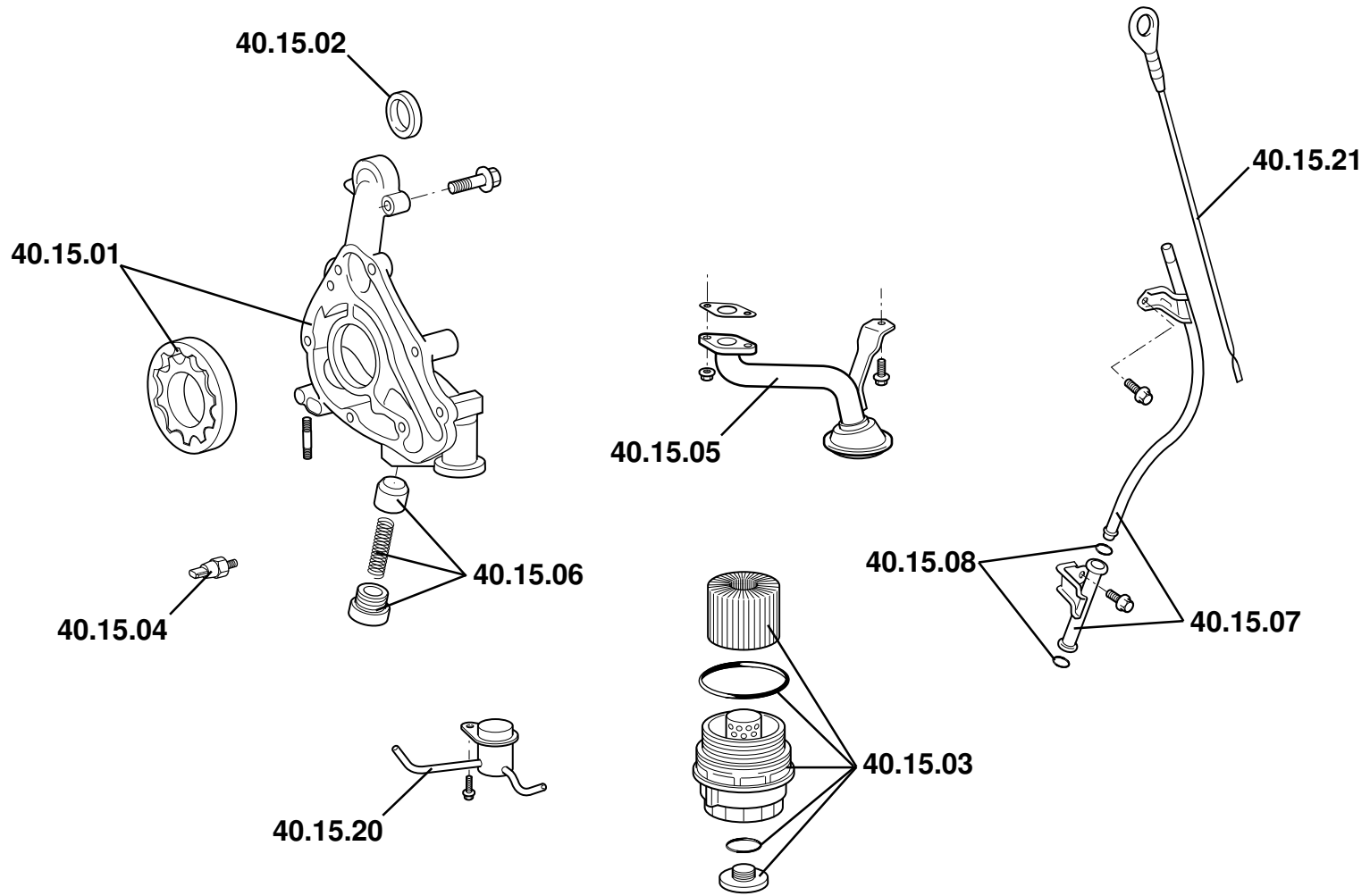


LOTUS EVORA STANDARD LABOUR TIMES.

Function Area: 40.00 Engine

Function Code: 40.13 Water Pump Assembly, Thermostat

Operation Code	Description	Op Type	Hours	Derivative
40.13.01-01	Water pump assembly	r&r	3.0	
40.13.01-02	Water pump assembly	Renew	3.0	
40.13.02-02	Water pump assembly gasket	Renew	3.0	
40.13.03-01	Thermostat	r&r	2.5	
40.13.03-02	Thermostat	Renew	2.5	
40.13.04-02	Thermostat housing	Renew	2.7	
40.13.05-02	Thermostat gasket	Renew	2.5	
40.13.06-02	Water inlet	Renew	2.5	
40.13.07-02	'O' ring, bypass water inlet housing	Renew	2.7	



EVORA
40.15

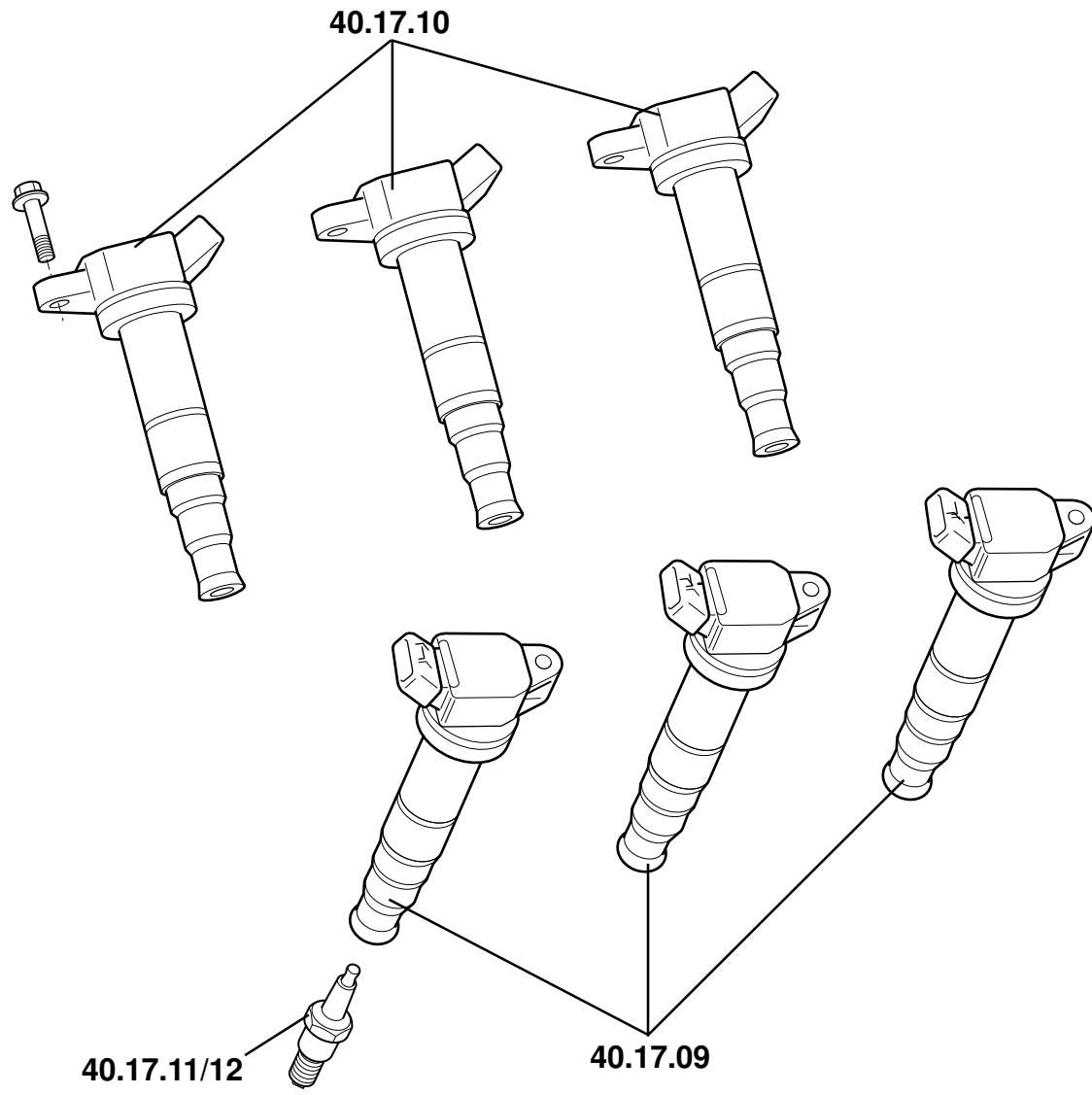


LOTUS EVORA STANDARD LABOUR TIMES.

Function Area: 40.00 Engine

Function Code: 40.15 Lubrication System

Operation Code	Description	Op Type	Hours	Derivative
40.15.01-01	Oil pump assembly (engine removed)	r&r	4.9	
40.15.01-02	Oil pump assembly (engine removed)	Renew	4.9	
40.15.02-02	Gasket, oil pump to block (engine removed)	Renew	4.9	
40.15.03-02	Oil filter	Renew	0.6	
40.15.04-01	Oil pressure sensor	r&r	0.6	
40.15.04-02	Oil pressure sensor	Renew	0.6	
40.15.05-02	Oil pick-up and strainer	Renew	2.1	
40.15.06-01	Oil pressure relief valve (engine removed)	r&r	5.0	
40.15.06-02	Oil pressure relief valve (engine removed)	Renew	5.0	
40.15.07-02	Oil dipstick tube	Renew	0.5	
40.15.08-02	Oil dipstick tube, 'O' ring	Renew	0.5	
40.15.20-02	Nozzle, oil feed (engine removed)	Renew	11.1	
40.15.21-02	Dipstick	Renew	0.1	



EVORA
40.17

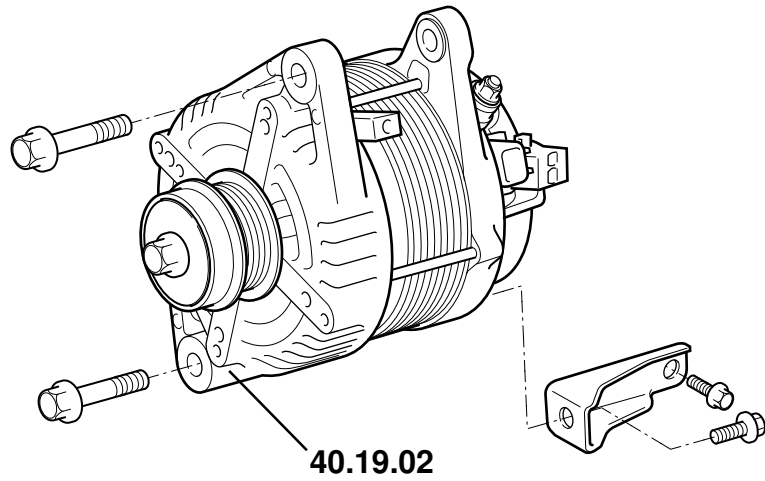


LOTUS EVORA STANDARD LABOUR TIMES.

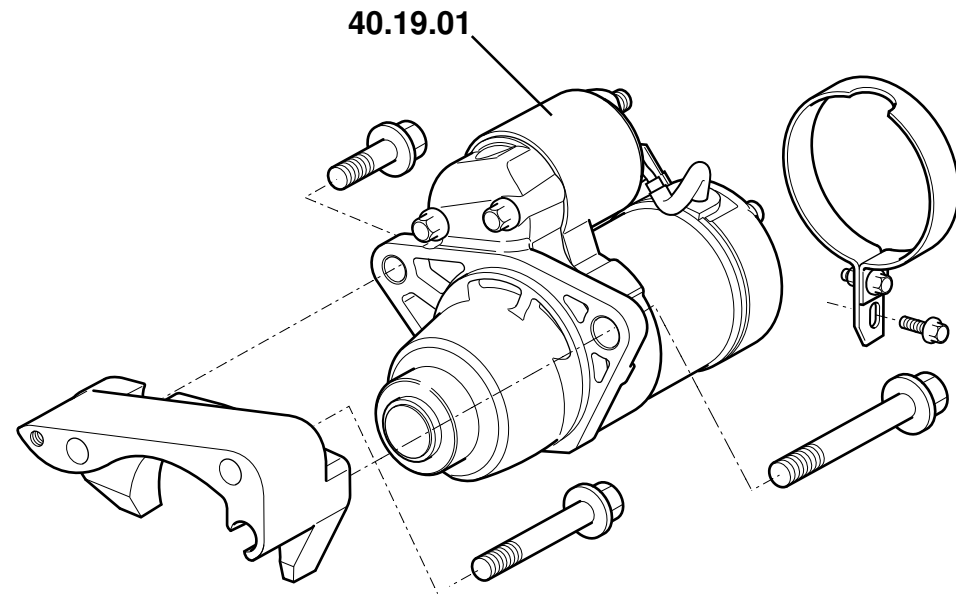
Function Area: 40.00 Engine

Function Code: 40.17 Ignition System, Spark plugs & Plug Top Coils

Operation Code	Description	Op Type	Hours	Derivative
40.17.09-01	Ignition coil, LH bank (one or all)	r&r	0.2	
40.17.09-02	Ignition coil, LH bank (one or all)	Renew	0.2	
40.17.10-01	Ignition coil, RH bank (one or all)	r&r	0.4	
40.17.10-02	Ignition coil, RH bank (one or all)	Renew	0.4	
40.17.11-01	Spark plug, LH bank (one or all)	r&r	0.3	
40.17.11-02	Spark plug, LH bank (one or all)	Renew	0.3	
40.17.12-01	Spark plug, RH bank (one or all)	r&r	0.5	
40.17.12-02	Spark plug, RH bank (one or all)	Renew	0.5	



40.19.02



40.19.01

EVORA

40.19

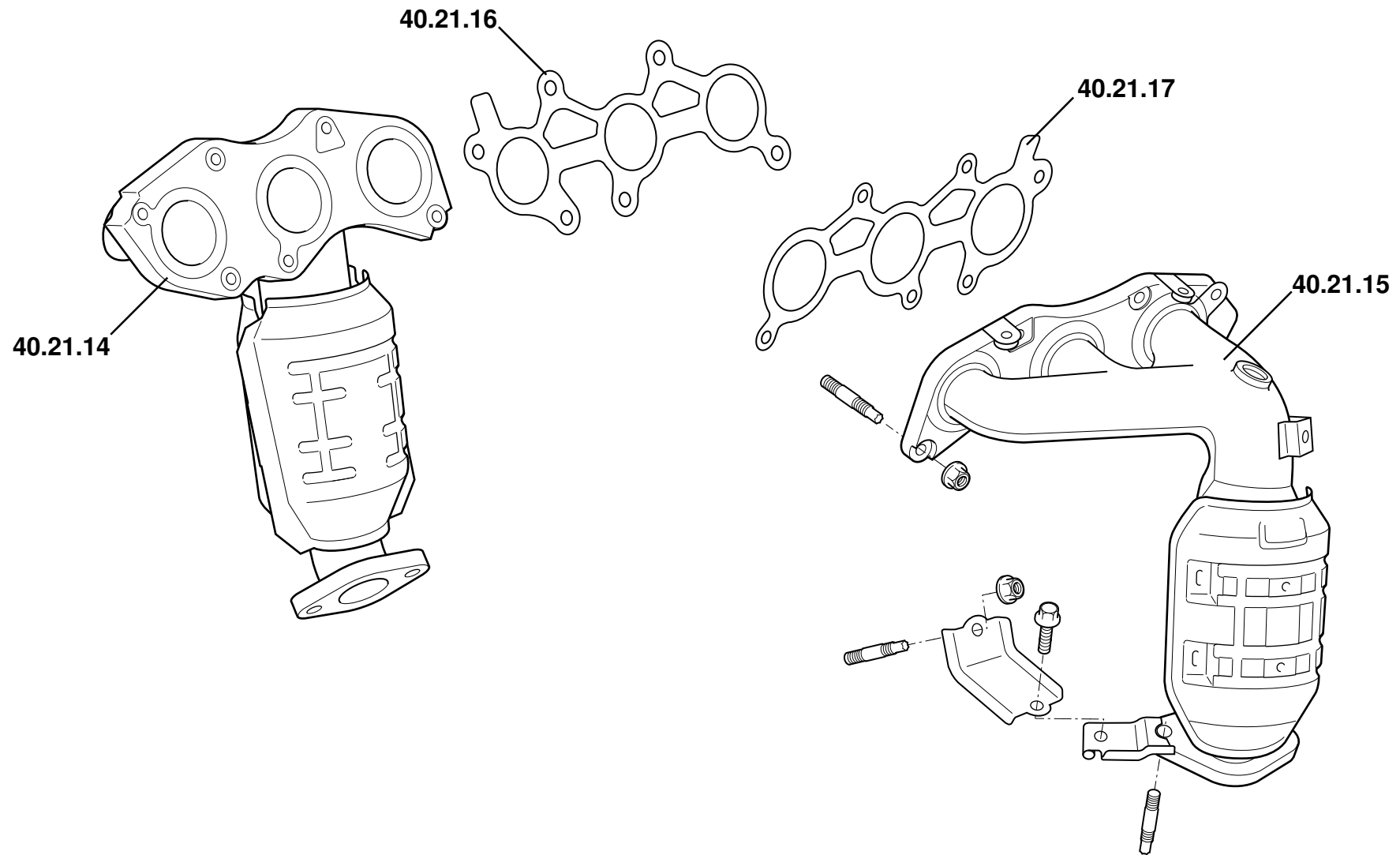


LOTUS EVORA STANDARD LABOUR TIMES.

Function Area: 40.00 Engine

Function Code: 40.19 Alternator and Starter Motor

Operation Code	Description	Op Type	Hours	Derivative
40.19.01-01	Starter motor	r&r	0.8	
40.19.01-02	Starter motor	Renew	0.8	
40.19.02-00	Test alternator charge rate	Test	0.1	
40.19.02-01	Alternator	r&r	1.0	
40.19.02-02	Alternator	Renew	1.0	



EVORA
40.21

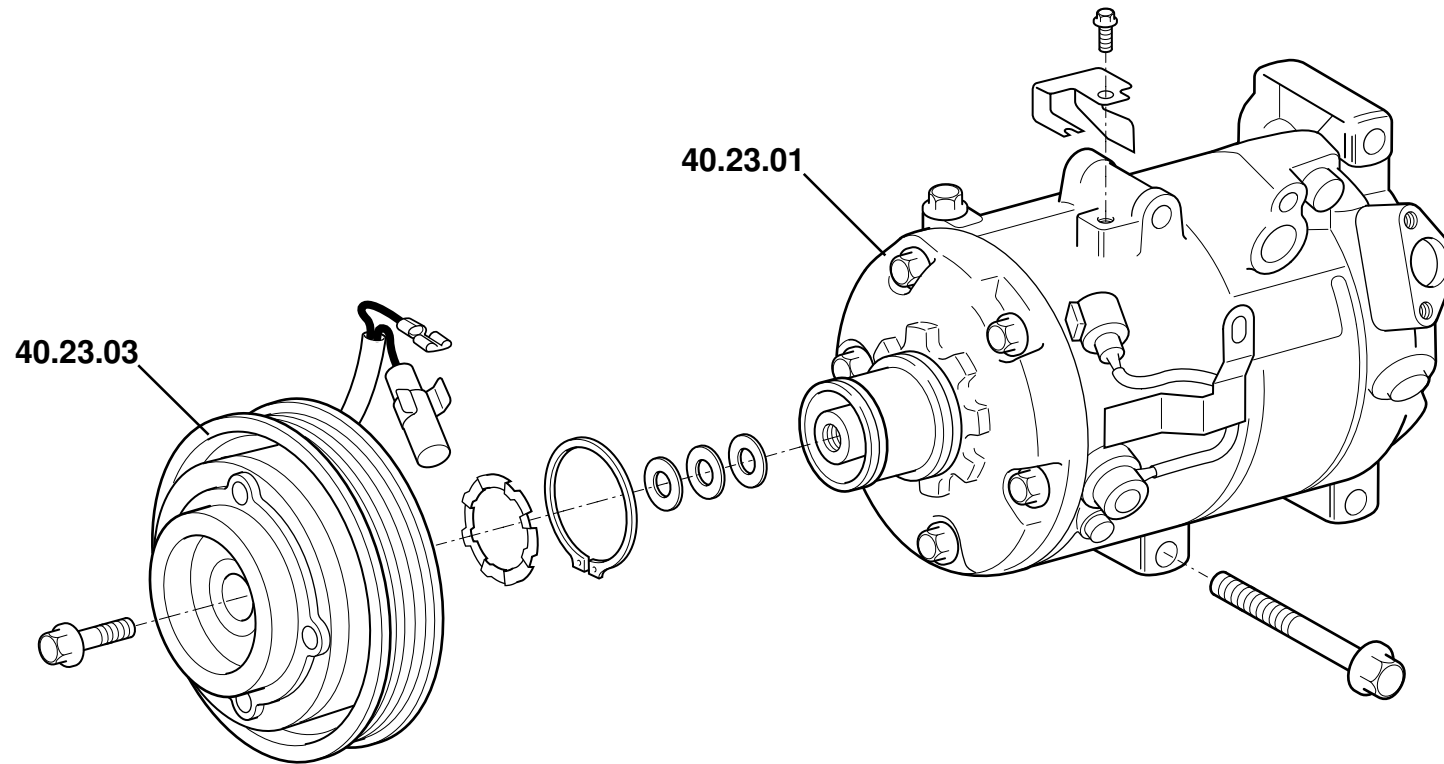


LOTUS EVORA STANDARD LABOUR TIMES.

Function Area: 40.00 Engine

Function Code: 40.21 Exhaust Manifold

Operation Code	Description	Op Type	Hours	Derivative
40.21.14-01	Exhaust manifold/primary catalyst assy, RH	r&r	3.5	
40.21.14-02	Exhaust manifold/primary catalyst assy, RH	Renew	3.5	
40.21.15-01	Exhaust manifold/primary catalyst assy, LH	r&r	4.0	
40.21.15-02	Exhaust manifold/primary catalyst assy, LH	Renew	4.0	
40.21.16-02	Exhaust manifold to engine gasket, RH	Renew	3.5	
40.21.17-02	Exhaust manifold to engine gasket, LH	Renew	4.0	



EVORA
40.23

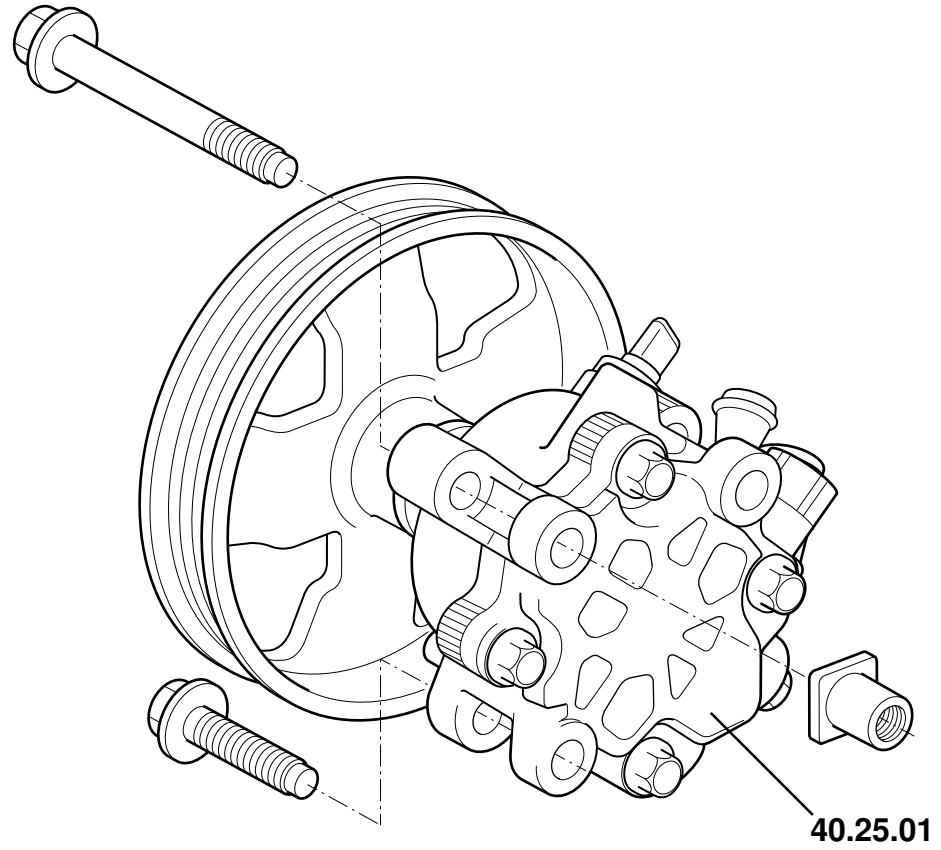


LOTUS EVORA STANDARD LABOUR TIMES.

Function Area: 40.00 Engine

Function Code: 40.23 AC Compressor

Operation Code	Description	Op Type	Hours	Derivative
40.23.01-01	Compressor (including charge)	r&r	2.5	
40.23.01-02	Compressor (including charge)	Renew	2.5	
40.23.02-01	AC system, evacuate and recharge system (single operation)	r&r	0.9	
40.23.03-02	Clutch assy, AC compressor (including charge)	Renew	2.7	



EVORA
40.25

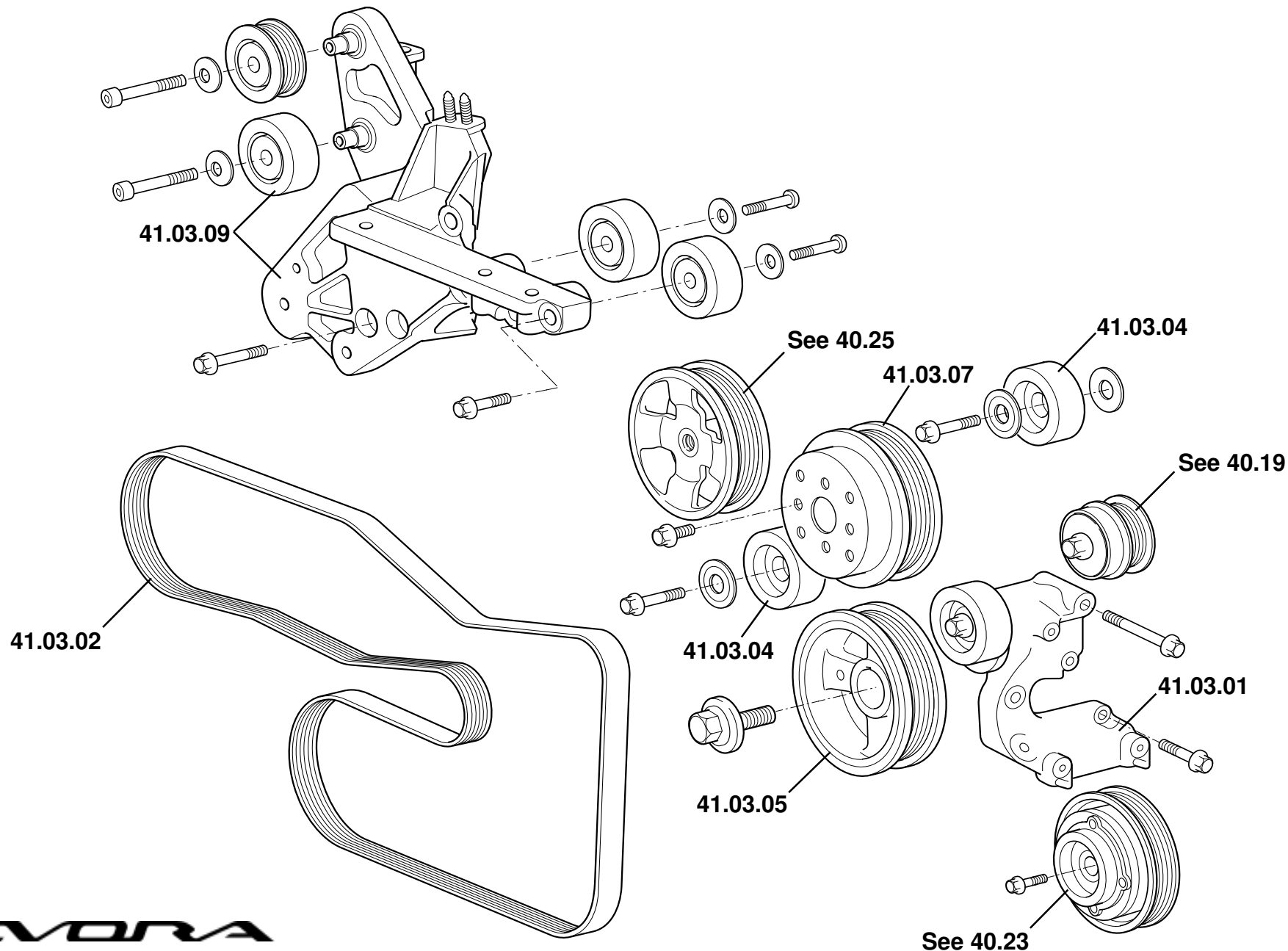


LOTUS EVORA STANDARD LABOUR TIMES.

Function Area: 40.00 Engine

Function Code: 40.25 Power Steering Pump, Pulley, Mounts & Fixings

Operation Code	Description	Op Type	Hours	Derivative
40.25.01-01	PAS pump (includes R/H driveshaft R&R)	r&r	2.4	
40.25.01-02	PAS pump (includes R/H driveshaft R&R)	Renew	2.4	



EVORA
41.03

Updated 28th February 2011

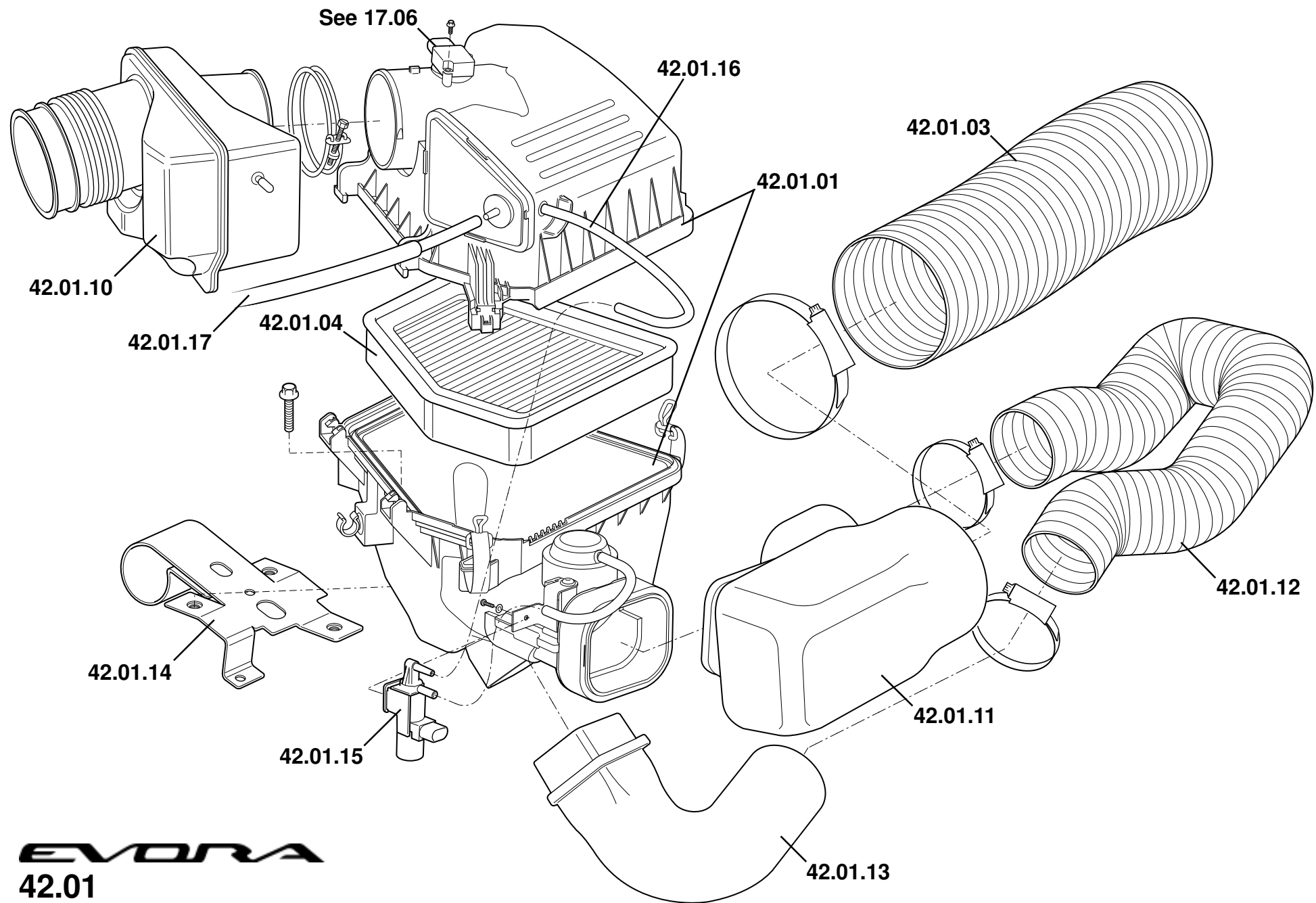


LOTUS EVORA STANDARD LABOUR TIMES.

Function Area: 41.00 Belts and Pulleys

Function Code: 41.03 Auxiliary Drive Belts & Pulleys

Operation Code	Description	Op Type	Hours	Derivative
41.03.01-01	Pulley/arm assembly, belt tensioner	r&r	1.9	
41.03.01-02	Pulley/arm assembly, belt tensioner	Renew	1.9	
41.03.02-02	Auxiliary drive belt	Renew	0.5	
41.03.04-02	Idler assembly (one or both)	Renew	0.6	
41.03.05-02	Crankshaft pulley	Renew	0.6	
41.03.07-02	Pulley, water pump	Renew	0.6	
41.03.09-02	Bracket and idler assembly	Renew	1.2	S



EVORA
42.01

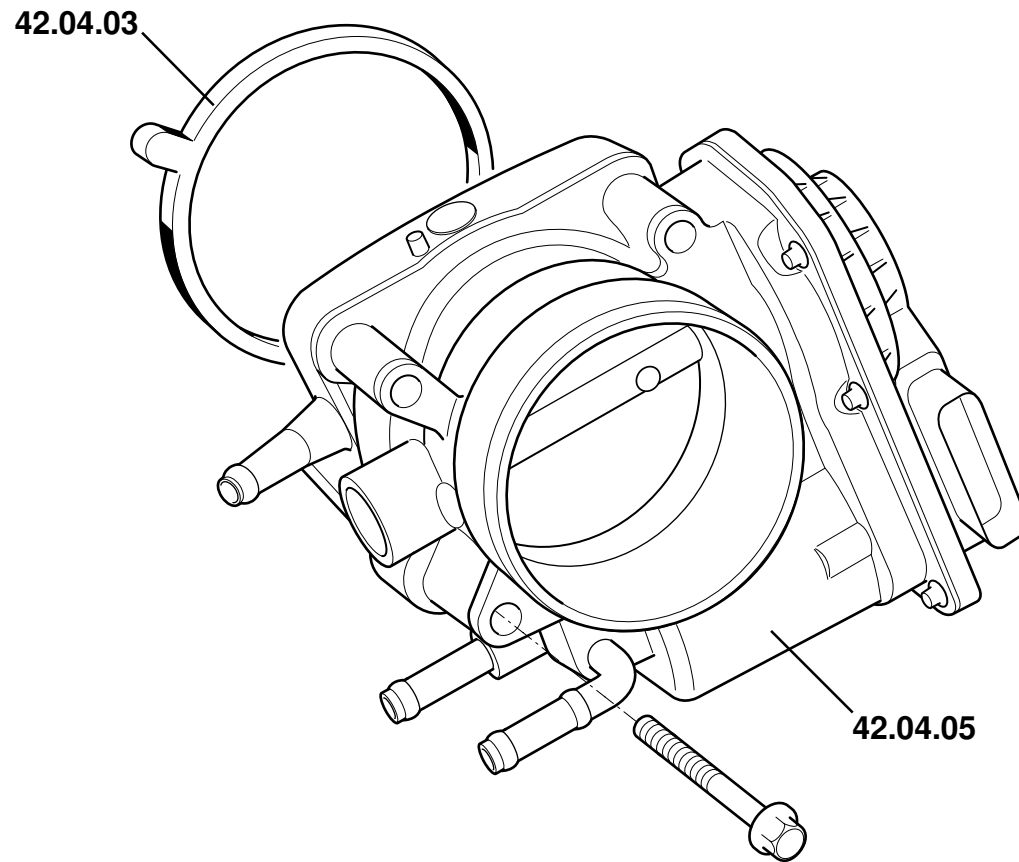


LOTUS EVORA STANDARD LABOUR TIMES.

Function Area: 42.00 Induction Systems

Function Code: 42.01 Airboxes, Trunking & Air Filters

Operation Code	Description	Op Type	Hours	Derivative
42.01.01-01	Airbox assembly	r&r	0.4	
42.01.01-02	Airbox assembly	Renew	0.4	
42.01.03-01	Hose, air intake	r&r	0.4	
42.01.03-02	Hose, air intake	Renew	0.4	
42.01.04-01	Air filter element	r&r	0.4	
42.01.04-02	Air filter element	Renew	0.4	
42.01.10-01	Hose and plenum assy	r&r	0.1	
42.01.10-02	Hose and plenum assy	Renew	0.2	
42.01.11-01	Adaptor, main airbox	r&r	0.4	
42.01.11-02	Adaptor, main airbox	Renew	0.4	
42.01.12-01	Hose, intake snorkel bypass	r&r	0.4	
42.01.12-02	Hose, intake snorkel bypass	Renew	0.4	
42.01.13-01	Adapter, bypass hose	r&r	0.4	
42.01.13-02	Adapter, bypass hose	Renew	0.4	
42.01.14-02	Bracket, airbox mounting	Renew	0.4	
42.01.15-01	Valve, vacuum switching, intake bypass	r&r	0.1	
42.01.15-02	Valve, vacuum switching, intake bypass	Renew	0.2	
42.01.16-02	Vacuum hose, valve to airbox	Renew	0.1	
42.01.17-02	Vacuum hose, airbox to inlet plenum	Renew	0.1	



EVORA
42.04

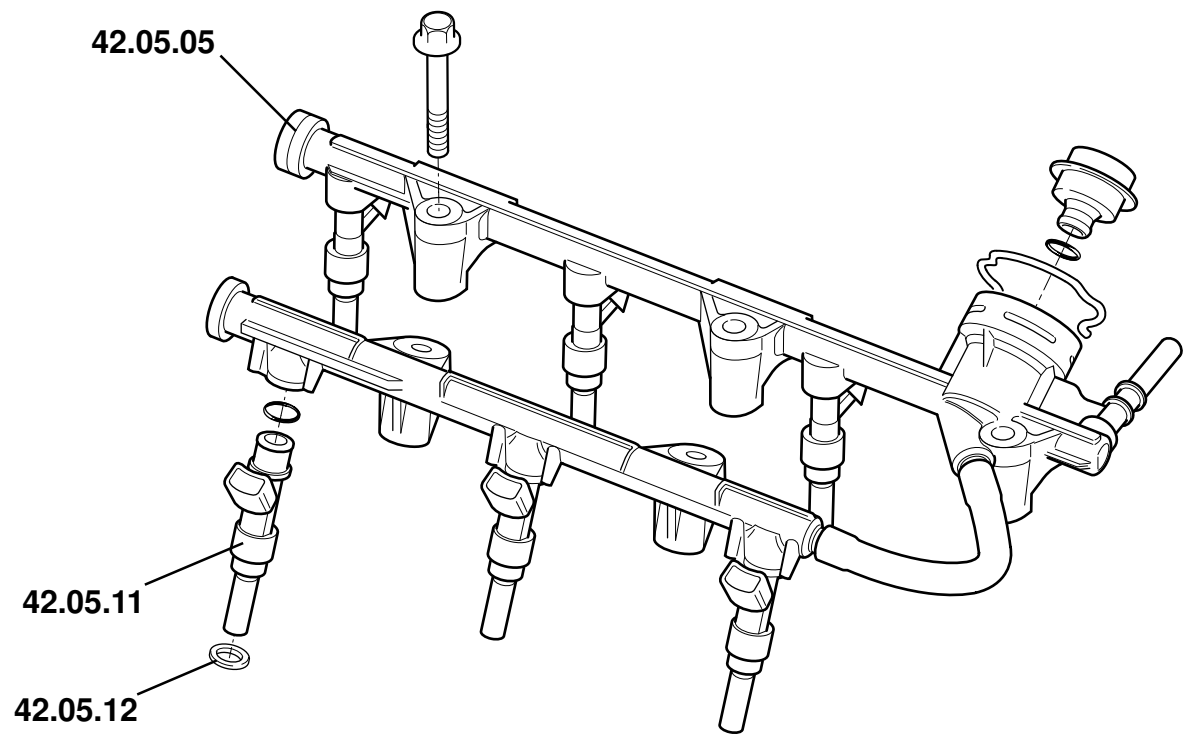


LOTUS EVORA STANDARD LABOUR TIMES.

Function Area: 42.00 Induction Systems

Function Code: 42.04 Throttle Body, Mechanism & IAC Valve

Operation Code	Description	Op Type	Hours	Derivative
42.04.03-02	Gasket, throttle body	Renew	0.3	
42.04.05-01	Throttle body	r&r	0.3	
42.04.05-02	Throttle body	Renew	0.3	



EVORA
42.05

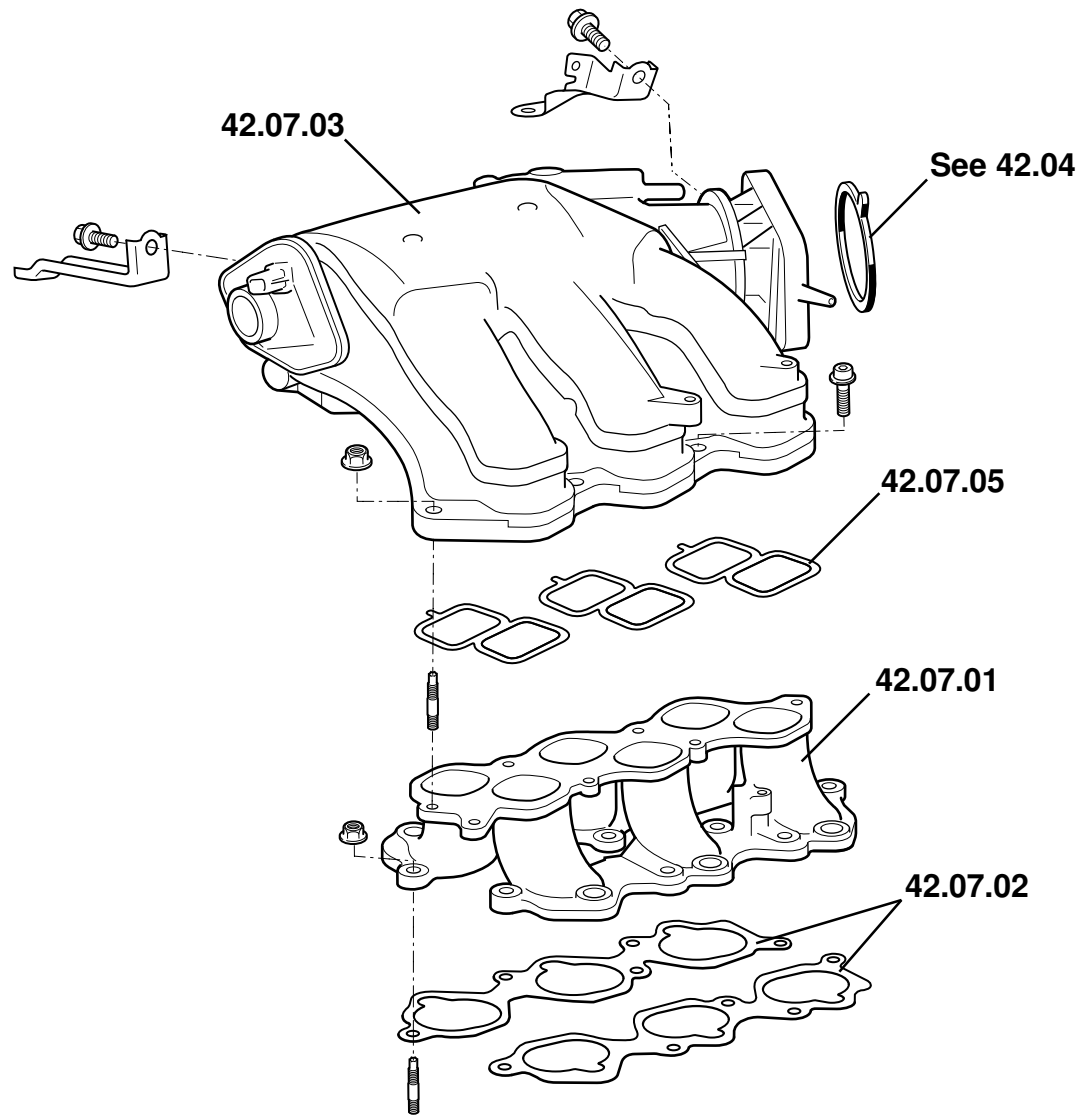


LOTUS EVORA STANDARD LABOUR TIMES.

Function Area: 42.00 Induction Systems

Function Code: 42.05 Fuel Injection System

Operation Code	Description	Op Type	Hours	Derivative
42.05.05-01	Fuel rail assembly	r&r	1.1	
42.05.05-02	Fuel rail assembly	Renew	1.1	
42.05.11-01	Fuel injector (one or all)	r&r	1.1	
42.05.11-02	Fuel injector (one or all)	Renew	1.1	
42.05.12-01	Fuel injector, O-ring (one or all)	r&r	1.1	
42.05.12-02	Fuel injector, O-ring (one or all)	Renew	1.1	



EVORA
42.07

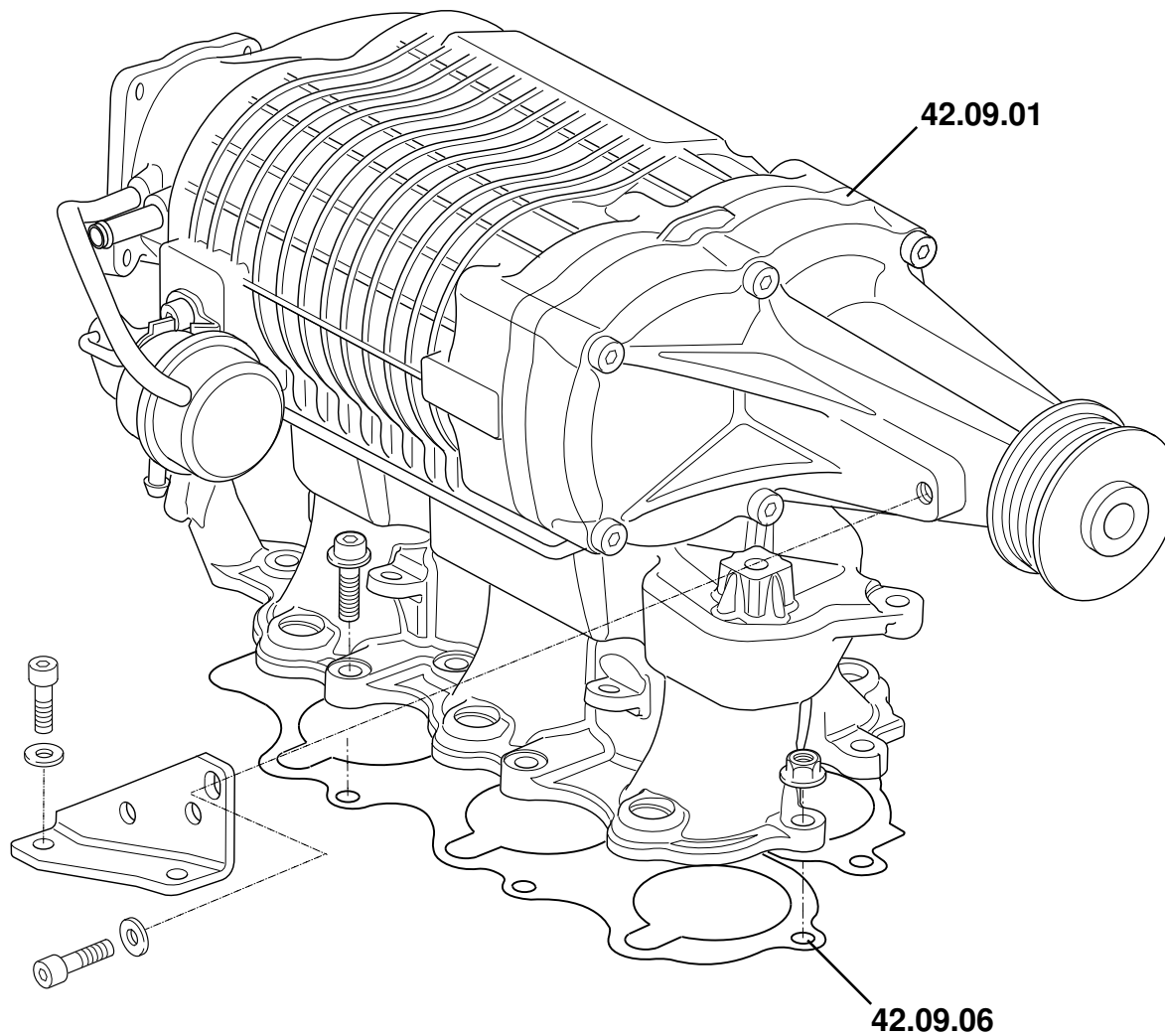


LOTUS EVORA STANDARD LABOUR TIMES.

Function Area: 42.00 Induction Systems

Function Code: 42.07 Inlet Manifold, Plenum & gaskets

Operation Code	Description	Op Type	Hours	Derivative
42.07.01-01	Inlet manifold	r&r	1.3	
42.07.01-02	Inlet manifold	Renew	1.3	
42.07.02-02	Gasket, manifold to engine	Renew	1.3	
42.07.03-01	Plenum	r&r	0.4	
42.07.03-02	Plenum	Renew	0.4	
42.07.05-02	Gasket, plenum to manifold	Renew	0.4	



EVORA

42.09

Updated 11th January 2011

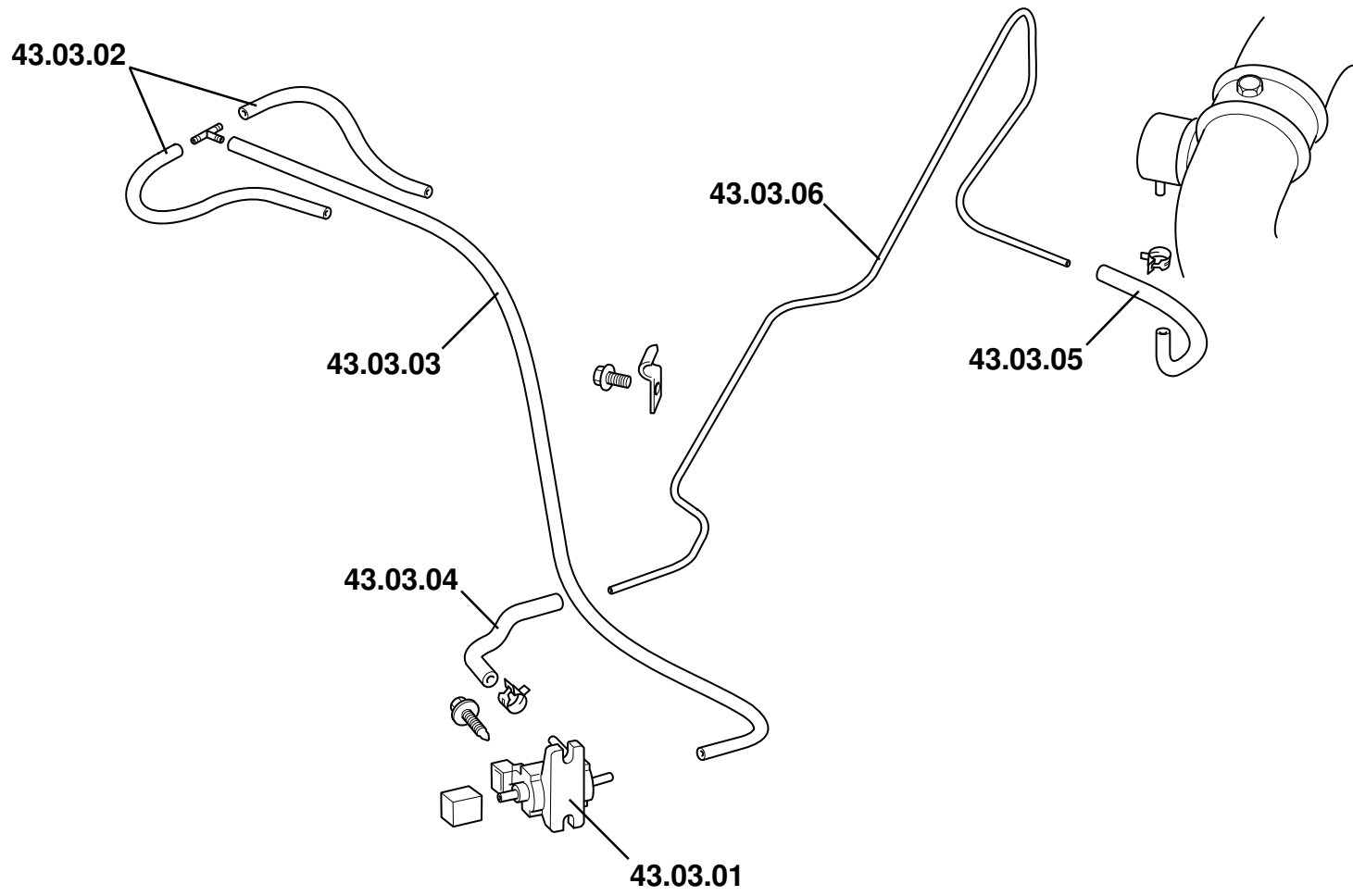


LOTUS EVORA STANDARD LABOUR TIMES.

Function Area: 42.00 Induction Systems

Function Code: 42.09 Supercharger

Operation Code	Description	Op Type	Hours	Derivative
42.09.01-01	Supercharger assembly	r&r	2.3	S
42.09.01-02	Supercharger assembly	Renew	2.3	S
42.09.06-02	Gasket, supercharger/manifold to engine	Renew	2.3	S



EVORA
43.03

Updated 6th June 2012

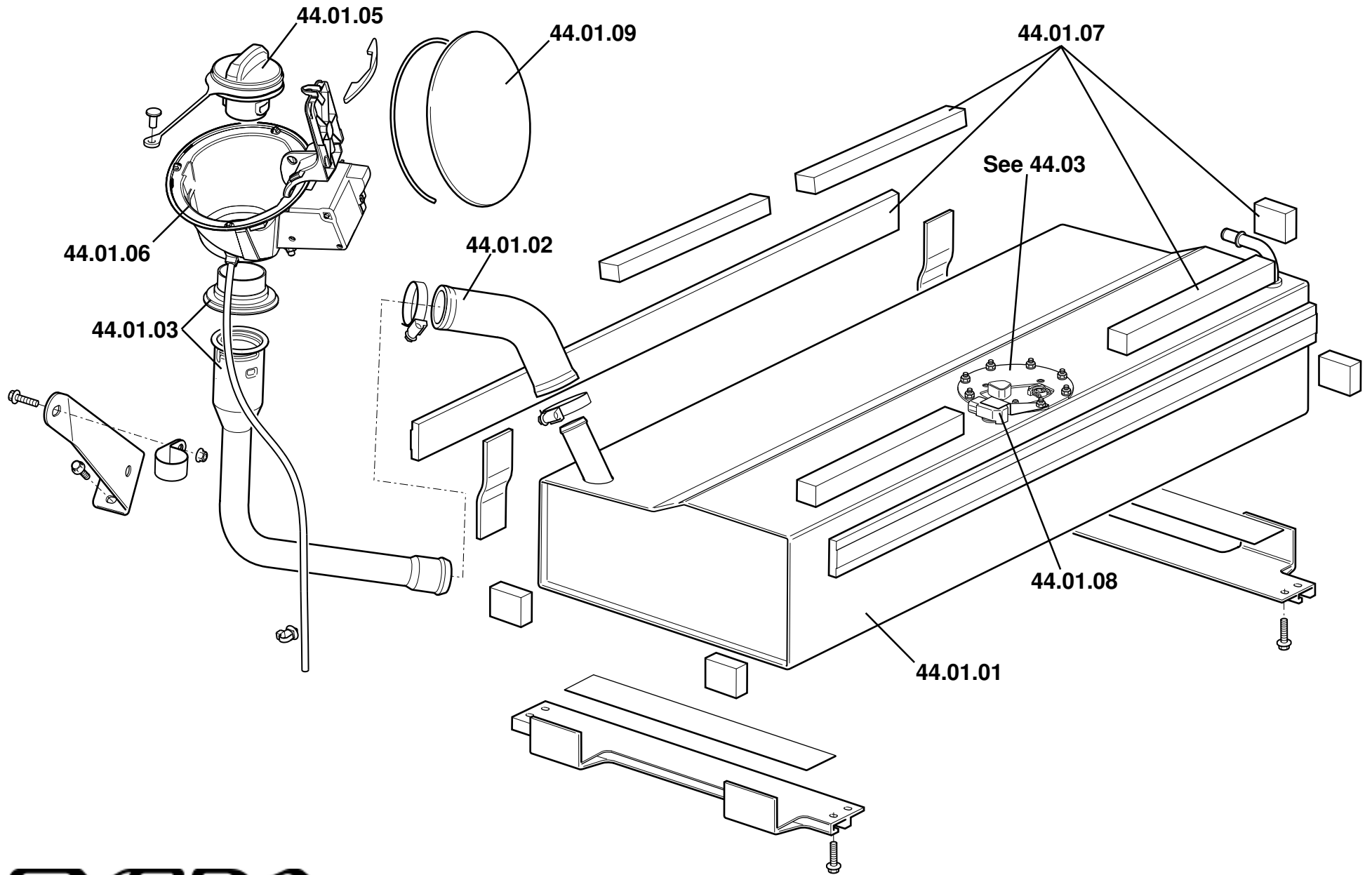


LOTUS EVORA STANDARD LABOUR TIMES.

Function Area: 43.00 Emission Equipment

Function Code: 43.03 Vacuum System, Hoses, Pipes & Fittings

Operation Code	Description	Op Type	Hours	Derivative
43.03.01-01	Solenoid valve, exhaust flap (rear clam removed)	r&r	0.5	
43.03.01-02	Solenoid valve, exhaust flap (rear clam removed)	Renew	0.5	
43.03.02-02	Vacuum hose, air box end (one)	Renew	0.1	
43.03.03-02	Vacuum hose, T-piece to solenoid valve (rear clam removed)	Renew	0.6	
43.03.04-02	Vacuum hose, solenoid to pipe (rear clam removed)	Renew	0.5	
43.03.05-02	Vacuum hose, pipe to exhaust	Renew	0.4	
43.03.06-02	Vacuum pipe (rear clam removed)	Renew	0.7	



EVORA
44.01

Updated 28th February 2011



LOTUS EVORA STANDARD LABOUR TIMES.

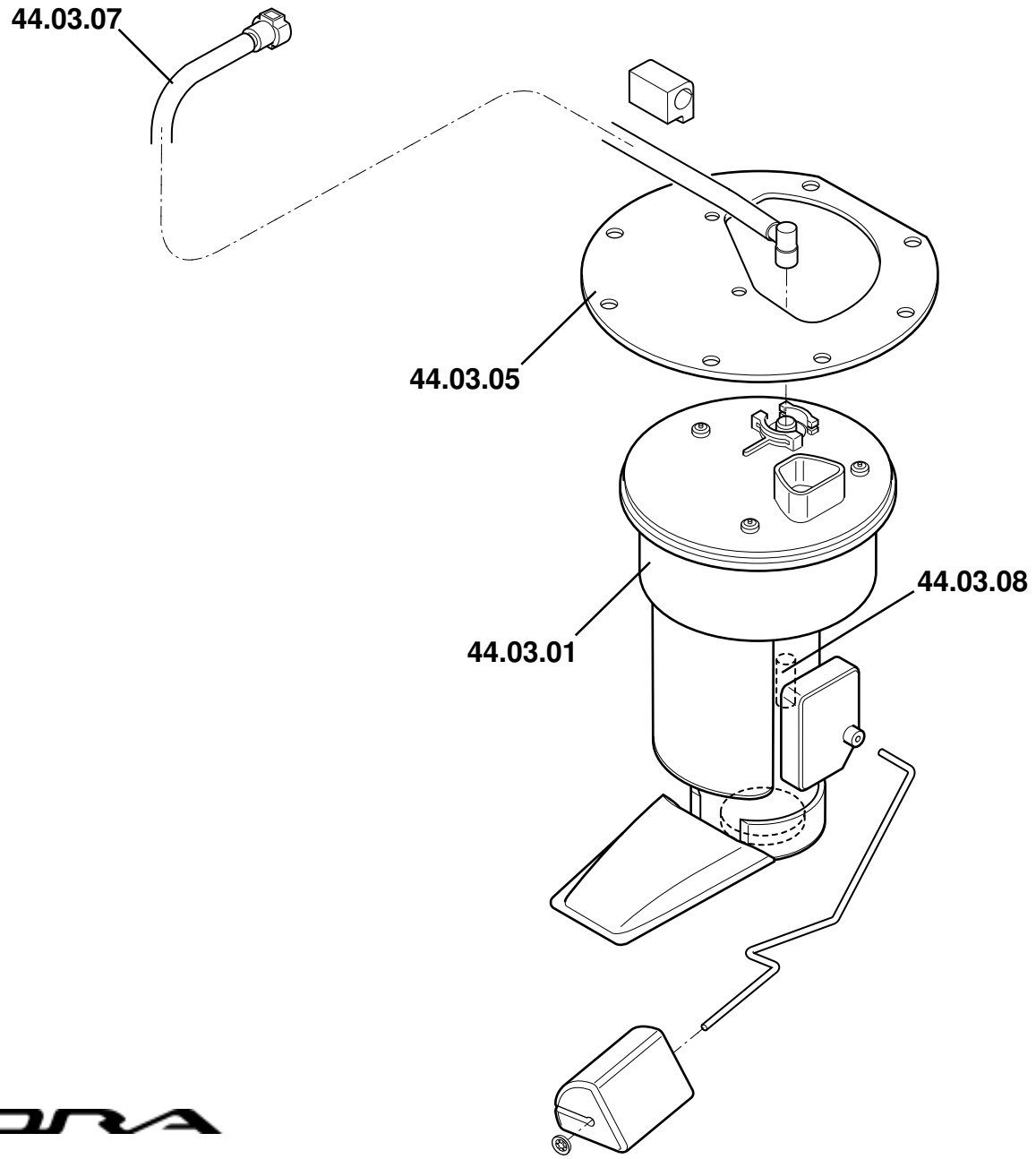
Function Area: 44.00 Fuel System

Function Code: 44.01 Fuel Tanks, Filler

Operation Code	Description	Op Type	Hours	Derivative
44.01.01-01	Fuel tank	r&r	3.5	
44.01.01-02	Fuel tank	Renew	3.5	
44.01.02-01	Hose, fuel filler	r&r	3.5	
44.01.02-02	Hose, fuel filler	Renew	3.5	
44.01.03-01	Hose/fuel filler neck assembly (add 10021101 if oil cooler fitted)	r&r	0.5	
44.01.03-02	Hose/fuel filler neck assembly (add 10021101 if oil cooler fitted)	Renew	0.5	
44.01.05-02	Fuel filler cap	Renew	0.1	
44.01.06-01	Bowl assembly, fuel filler	r&r	0.6	
44.01.06-02	Bowl assembly, fuel filler	Renew	0.6	
44.01.07-02	Fuel tank pad (one or more)	Renew	3.5	
44.01.08-01	Sensor, fuel pressure	r&r	0.4	
44.01.08-02	Sensor, fuel pressure	Renew	0.4	
44.01.09-02	Fuel flap	Renew	0.1	

Function Code: 44.01, Page: 1

Updated 22nd March 2011



EVORA
44.03

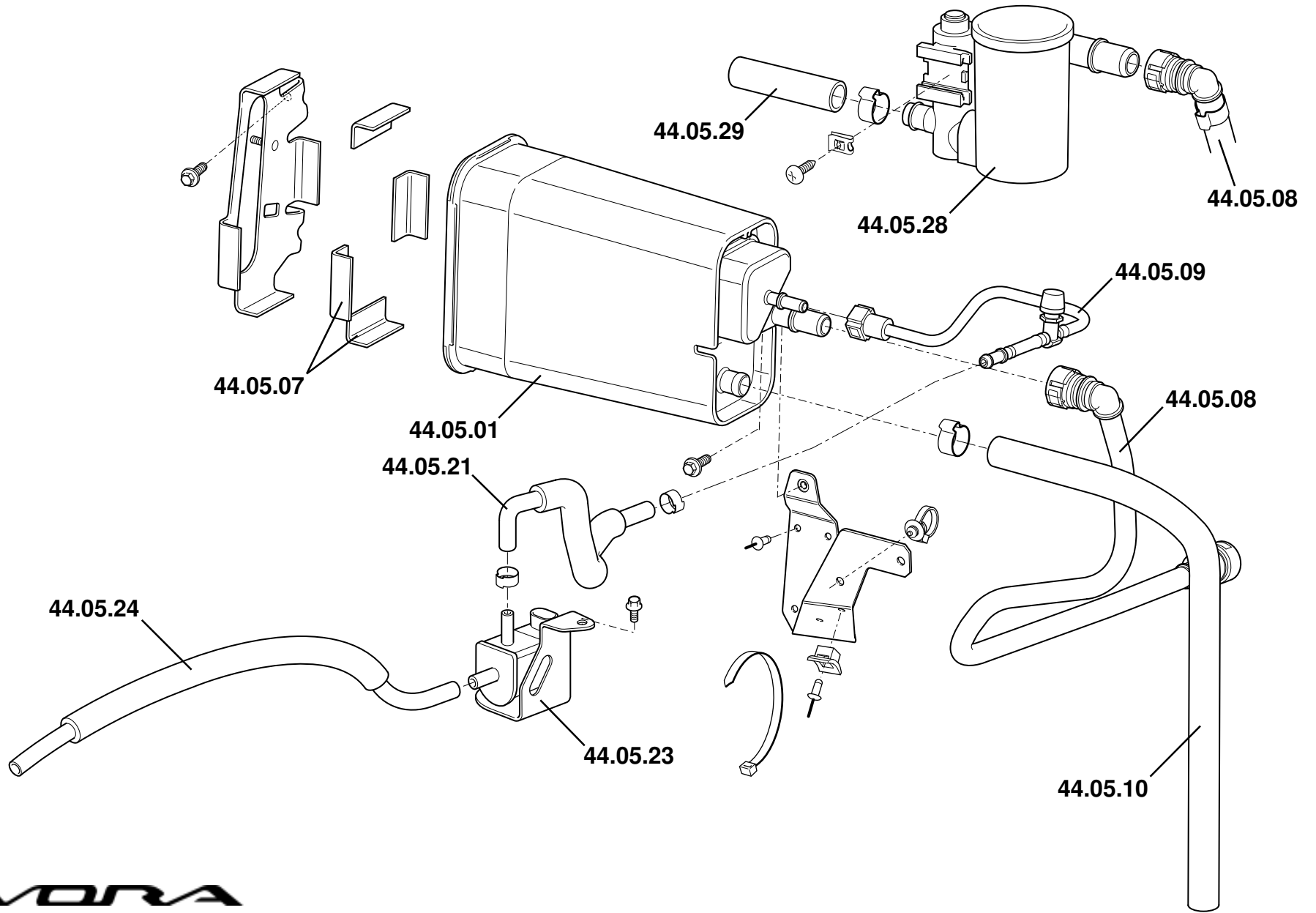


LOTUS EVORA STANDARD LABOUR TIMES.

Function Area: 44.00 Fuel System

Function Code: 44.03 Fuel Pump; Filter, Pipes

Operation Code	Description	Op Type	Hours	Derivative
44.03.01-01	Fuel pump and sender unit assembly	r&r	0.4	
44.03.01-02	Fuel pump/sender unit components	Renew	0.5	
44.03.05-01	Clamp plate	r&r	0.4	
44.03.05-02	Clamp plate	Renew	0.4	
44.03.07-02	Pipe assembly, fuel feed	Renew	3.9	
44.03.08-02	Fuel pressure regulator	Renew	0.5	



EVORA
44.05

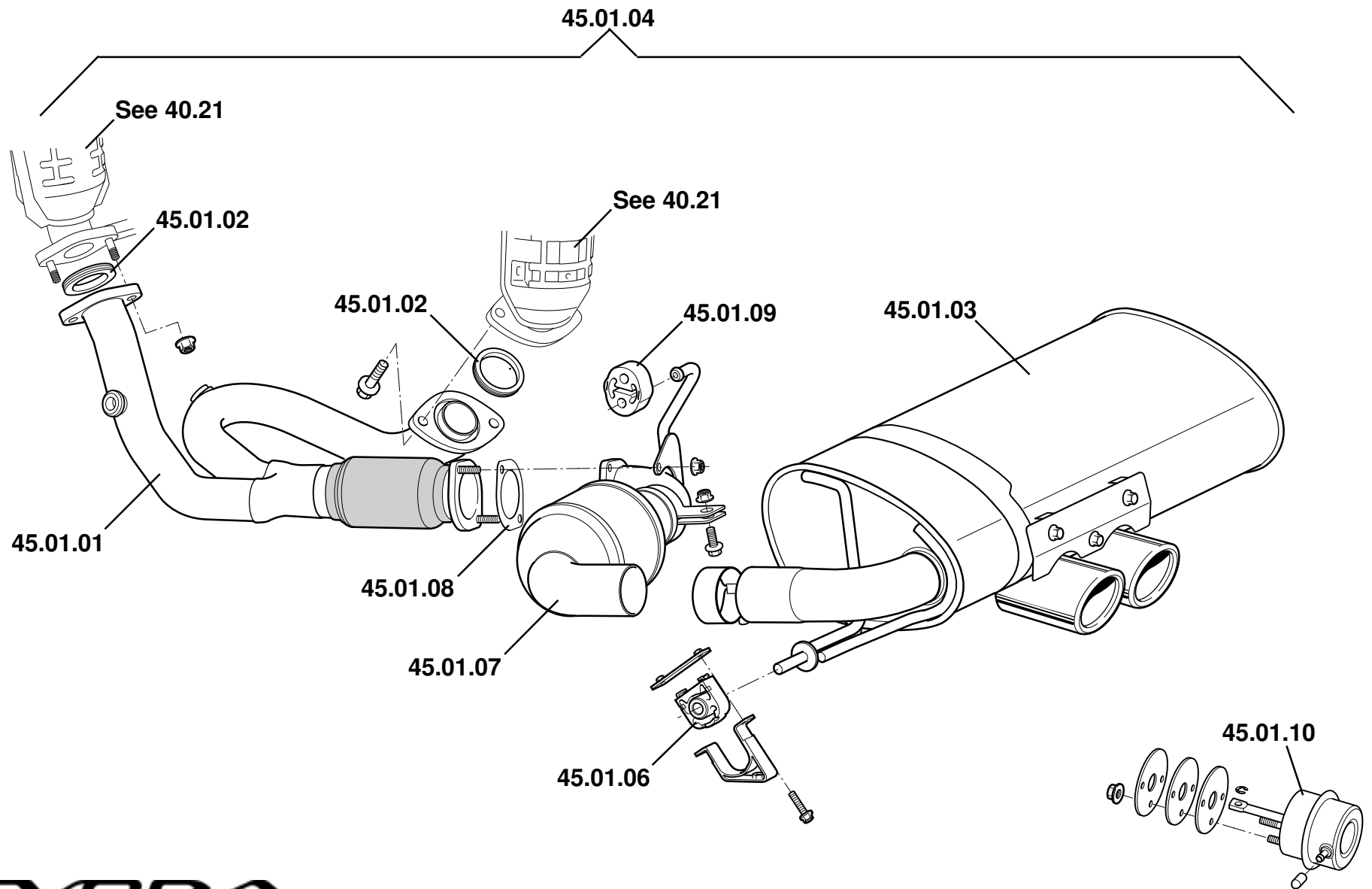


LOTUS EVORA STANDARD LABOUR TIMES.

Function Area: 44.00 Fuel System

Function Code: 44.05 Charcoal Canister & Evaporative Loss System.

Operation Code	Description	Op Type	Hours	Derivative
44.05.01-01	Charcoal canister assembly	r&r	0.5	
44.05.01-02	Charcoal canister assembly	Renew	0.5	
44.05.07-02	Mounting plate pads (one or more)	Renew	0.6	
44.05.08-02	Pipe assembly, tank to canister	Renew	1.2	
44.05.09-02	Pipe assembly, canister to purge valve	Renew	0.5	
44.05.10-02	Hose, canister vent	Renew	0.5	
44.05.21-02	Hose, charcoal canister to purge valve	Renew	0.2	
44.05.23-02	Purge solenoid valve	Renew	0.2	
44.05.24-02	Hose, purge valve to inlet plenum	Renew	0.2	
44.05.28-02	Canister close valve	Renew	0.5	
44.05.29-02	Hose, canister close valve to canister	Renew	0.5	



EVORA
45.01

Updated 12th September 2011



LOTUS EVORA STANDARD LABOUR TIMES.

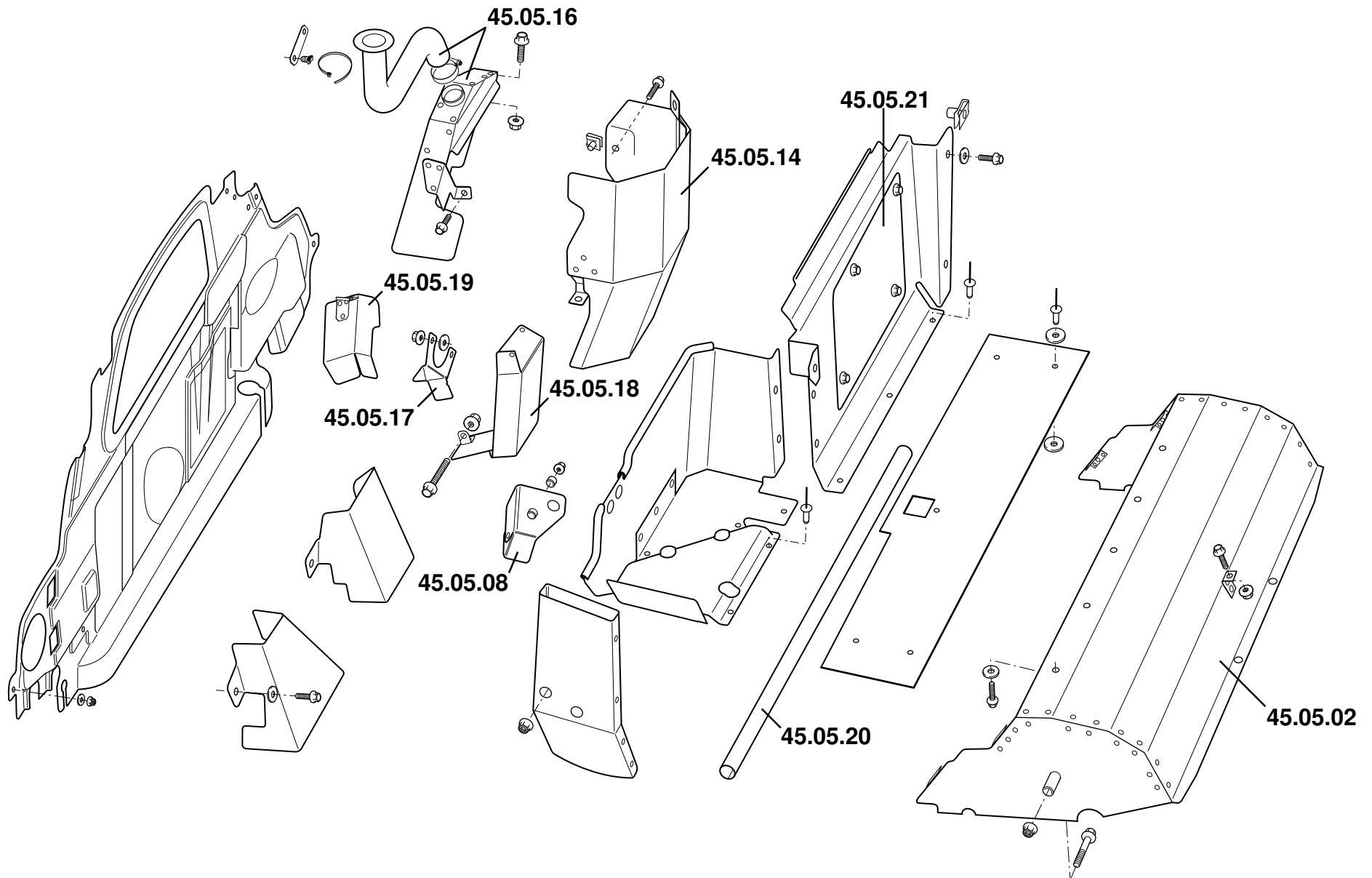
Function Area: 45.00 Exhaust

Function Code: 45.01 Exhaust System

Operation Code	Description	Op Type	Hours	Derivative
45.01.01-01	Downpipe assembly	r&r	1.8	
45.01.01-02	Downpipe assembly	Renew	1.8	
45.01.02-02	Gasket, manifold to downpipe	Renew	1.8	
45.01.03-01	Silencer assembly	r&r	1.0	
45.01.03-02	Silencer assembly	Renew	1.0	
45.01.04-01	Complete exhaust system	r&r	1.8	
45.01.04-02	Complete exhaust system	Renew	1.8	
45.01.06-02	Exhaust hanger, silencer mounting (one or both)	Renew	0.5	
45.01.07-01	Secondary catalyst assembly	r&r	1.2	
45.01.07-02	Secondary catalyst assembly	Renew	1.2	
45.01.08-02	Gasket, downpipe to catalyst	Renew	1.2	
45.01.09-02	Exhaust hanger, catalyst mounting	Renew	0.3	
45.01.10-02	Valve actuator	Renew	0.8	
45.01.11-02	Pipe, downpipe to silencer (not illustrated. Inplace of catalyst)	Renew	1.2	Optional '12MY

Function Code: 45.01, Page: 1

Updated 12th September 2011



EVORA

45.05



LOTUS EVORA STANDARD LABOUR TIMES.

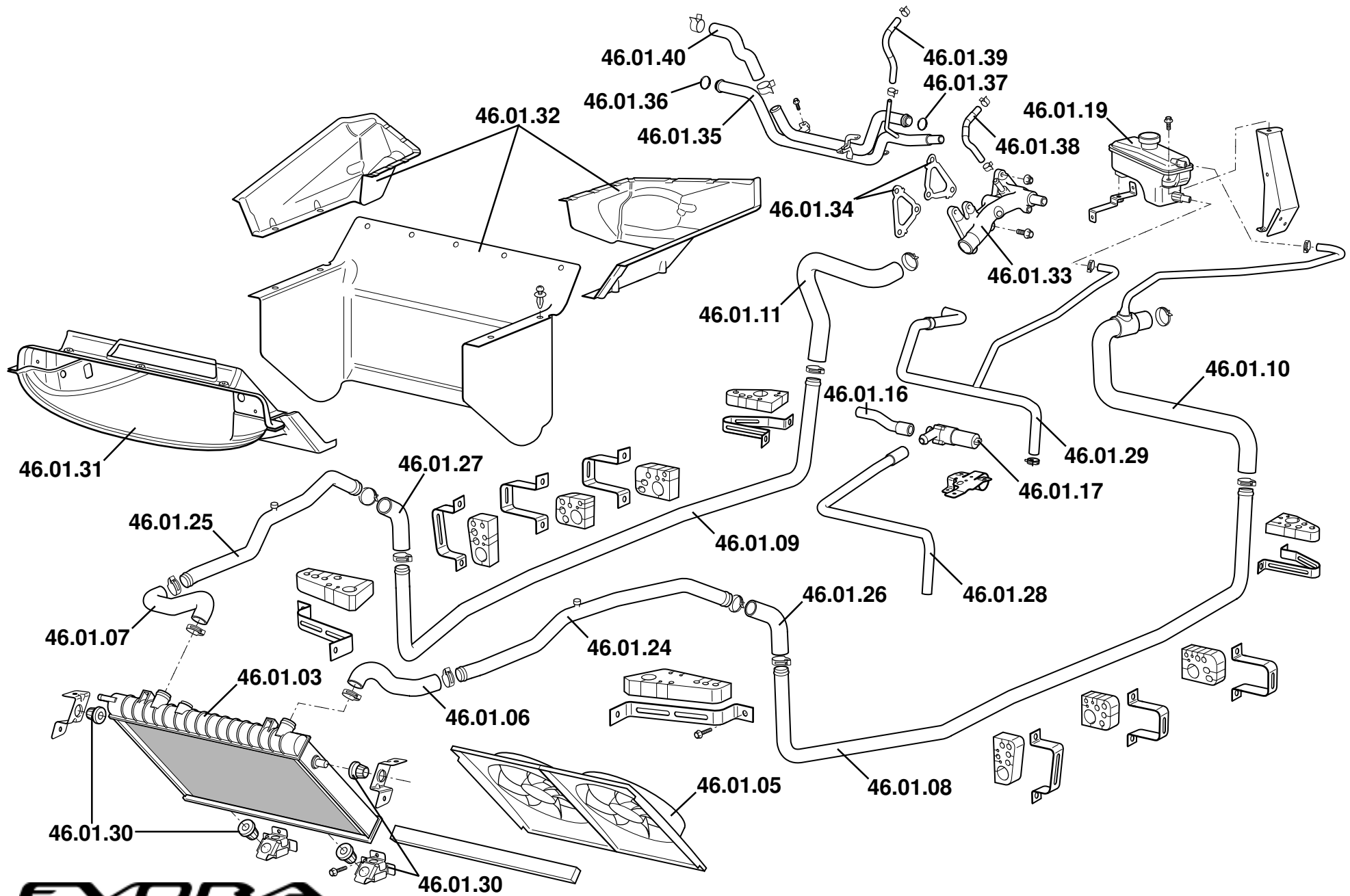
Function Area: 45.00 Exhaust

Function Code: 45.05 Heatshields

Operation Code	Description	Op Type	Hours	Derivative
45.05.02-01	Heatshield, silencer	r&r	1.1	
45.05.02-02	Heatshield, silencer	Renew	1.1	
45.05.08-01	Heatshield, rear engine mount	r&r	0.4	
45.05.08-02	Heatshield, rear engine mount	Renew	0.4	
45.05.14-01	Heatshield, front catalyst	r&r	1.0	
45.05.14-02	Heatshield, front catalyst	Renew	1.0	
45.05.16-01	Vent, heatshield duct	r&r	0.2	
45.05.16-02	Vent, heatshield duct	Renew	0.2	
45.05.17-01	Heatshield, PAS pump	r&r	0.3	
45.05.17-02	Heatshield, PAS pump	Renew	0.3	
45.05.18-01	Heatshield, driveshaft bearing	r&r	0.4	
45.05.18-02	Heatshield, driveshaft bearing	Renew	0.4	
45.05.19-01	Heatshield, alternator	r&r	0.3	
45.05.19-02	Heatshield, alternator	Renew	0.3	
45.05.20-01	Heatshield, ARB sleeve	r&r	0.4	
45.05.20-02	Heatshield, ARB sleeve	Renew	0.4	
45.05.21-01	Heatshield, bootbox access panel	r&r	0.2	
45.05.21-02	Heatshield, bootbox access panel	Renew	0.2	

Function Code: 45.05, Page: 1

Updated 5th July 2010



EVORA

46.01



LOTUS EVORA STANDARD LABOUR TIMES.

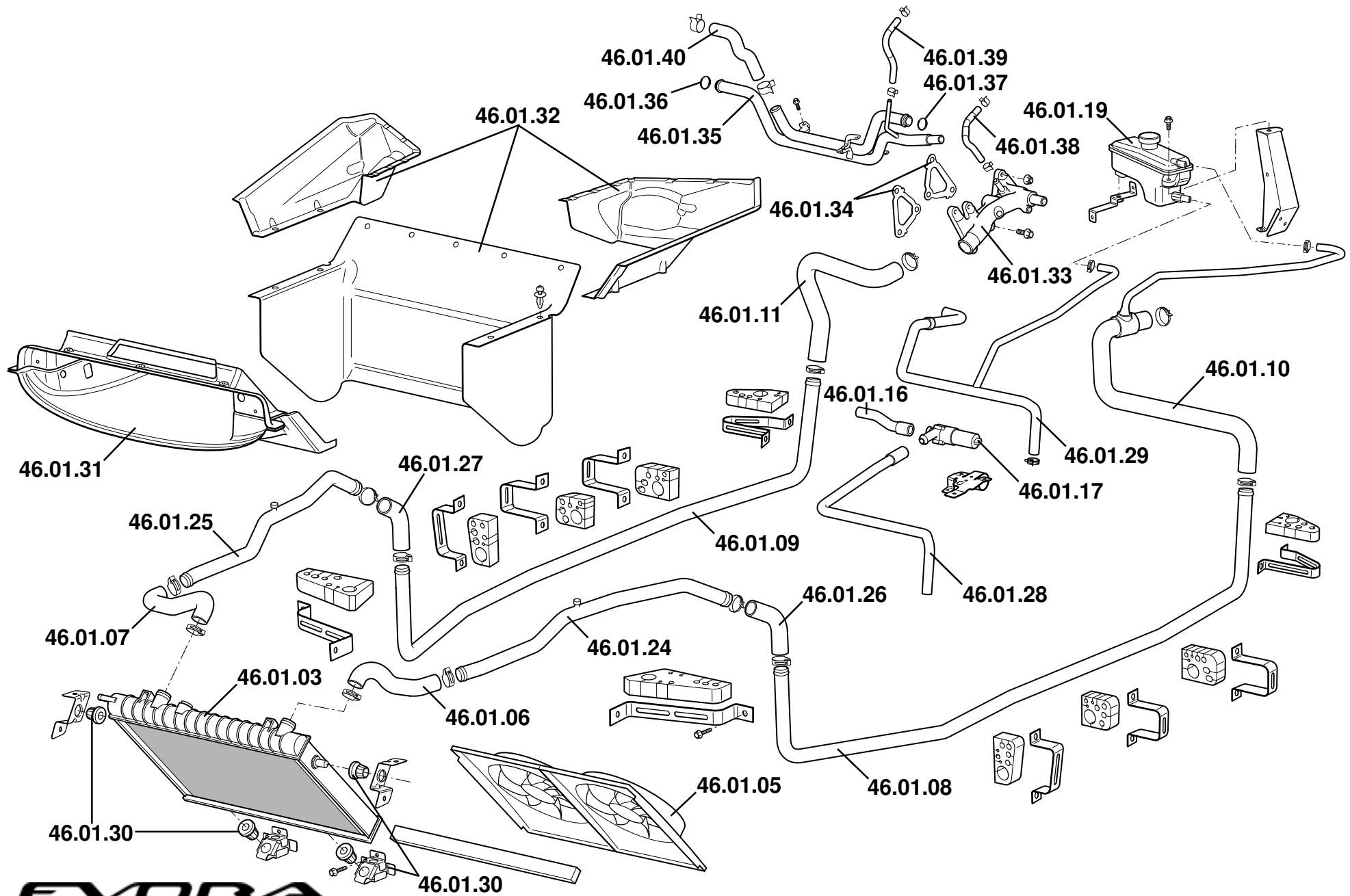
Function Area: 46.00 Cooling

Function Code: 46.01 Engine Cooling System & Fan

Operation Code	Description	Op Type	Hours	Derivative
46.01.00-02	Coolant renew (only as a single operation, not to be used with below)	Renew	1.0	
46.01.03-01	Radiator	r&r	3.0	
46.01.03-02	Radiator	Renew	3.0	
46.01.05-01	Fan assembly, radiator cooling	r&r	1.5	
46.01.05-02	Fan assembly, radiator cooling	Renew	1.5	
46.01.06-01	Hose, radiator inlet, LH	r&r	2.0	
46.01.06-02	Hose, radiator inlet, LH	Renew	2.0	
46.01.07-01	Hose, radiator outlet, RH	r&r	2.0	
46.01.07-02	Hose, radiator outlet, RH	Renew	2.0	
46.01.08-02	Sill body pipe, engine outlet, LH (sill removed)	Renew	1.0	
46.01.09-02	Sill body pipe, engine inlet, RH (sill removed)	Renew	1.0	
46.01.10-02	Hose, engine outlet to body pipe	Renew	1.1	
46.01.11-02	Hose, engine inlet to body pipe	Renew	1.1	
46.01.16-02	Hose, heater feed, engine to recirculation pump	Renew	0.9	
46.01.17-02	Recirculation pump	Renew	0.9	
46.01.19-02	Header tank assembly	Renew	0.9	
46.01.24-02	Pipe, radiator inlet, LH	Renew	2.0	
46.01.25-02	Pipe, radiator outlet, RH	Renew	2.0	
46.01.26-02	Hose, body pipe to radiator inlet, LH	Renew	0.9	
46.01.27-02	Hose, body pipe to radiator outlet, RH	Renew	0.9	
46.01.28-02	Hose, recirculation pump to heater	Renew	1.1	
46.01.29-02	Hose, heater return	Renew	1.1	
46.01.30-02	Radiator mounting/bracket (one or more)	Renew	3.0	
46.01.31-02	Duct, radiator intake	Renew	1.3	
46.01.32-02	Duct, radiator outlet (one or all)	Renew	1.3	

Function Code: 46.01, Page: 1

Updated 5th July 2010



EVORA

46.01

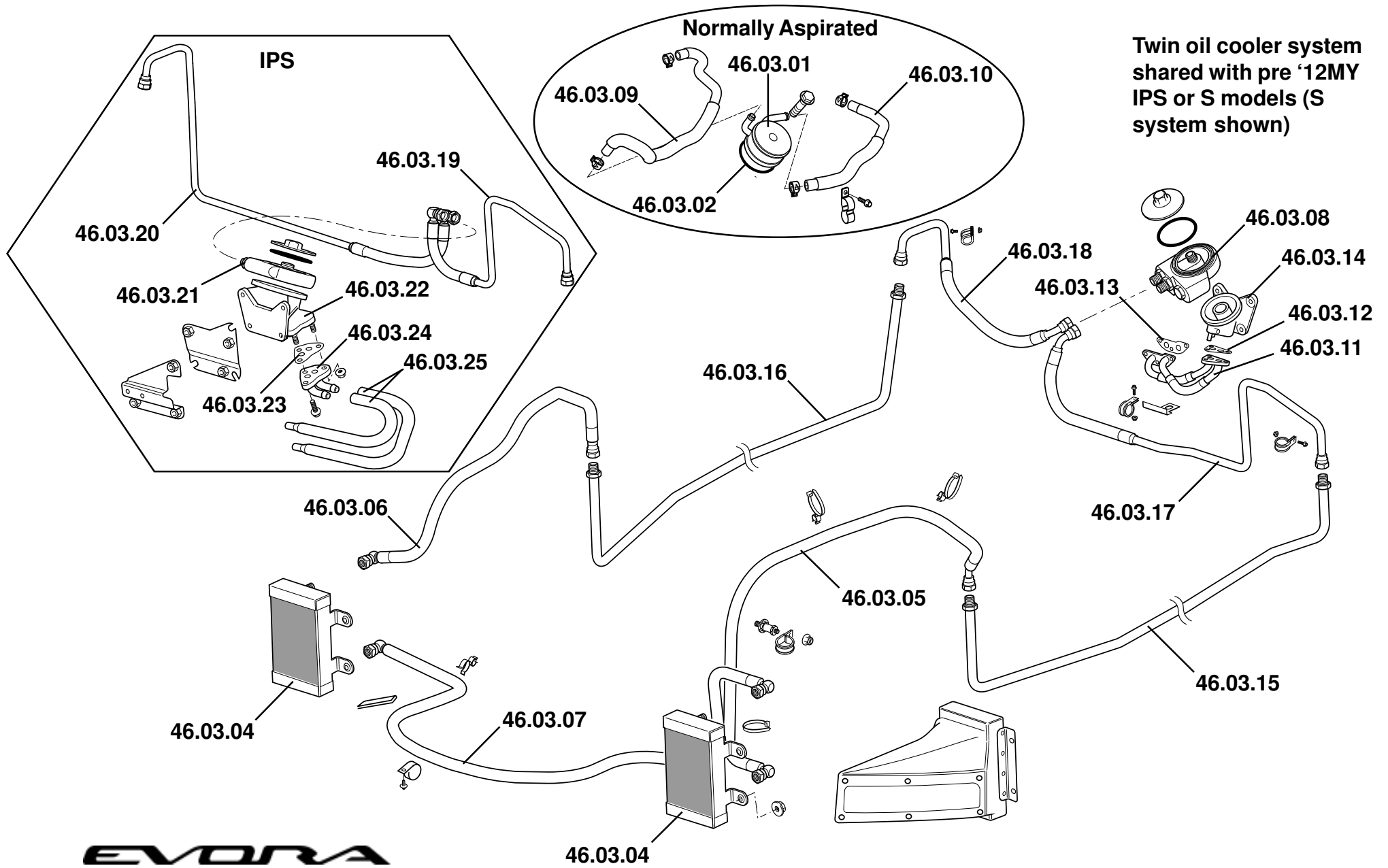


LOTUS EVORA STANDARD LABOUR TIMES.

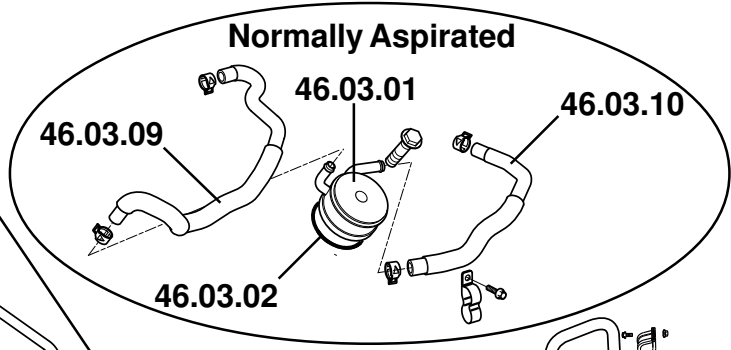
Function Area: 46.00 Cooling

Function Code: 46.01 Engine Cooling System & Fan

Operation Code	Description	Op Type	Hours	Derivative
46.01.33-02	Water outlet	Renew	1.0	
46.01.34-02	Gasket, water outlet to cylinder head (both)	Renew	1.0	
46.01.35-02	Pipe assy, water inlet	Renew	2.0	
46.01.36-02	'O' ring, water inlet pipe to water inlet housing	Renew	2.0	
46.01.37-02	'O' ring, water outlet housing to bypass pipe	Renew	1.0	
46.01.38-02	Hose, water bypass, outlet to throttle body	Renew	0.6	
46.01.39-02	Hose, water bypass, throttle body to water inlet	Renew	0.6	
46.01.40-02	Hose, water bypass, water outlet to water inlet	Renew	1.8	
46.01.99-99	Note: all times include air bleed cooling system where applicable			



Twin oil cooler system shared with pre '12MY IPS or S models (S system shown)



EVORA

46.03

Updated 1st December 2013



LOTUS EVORA STANDARD LABOUR TIMES.

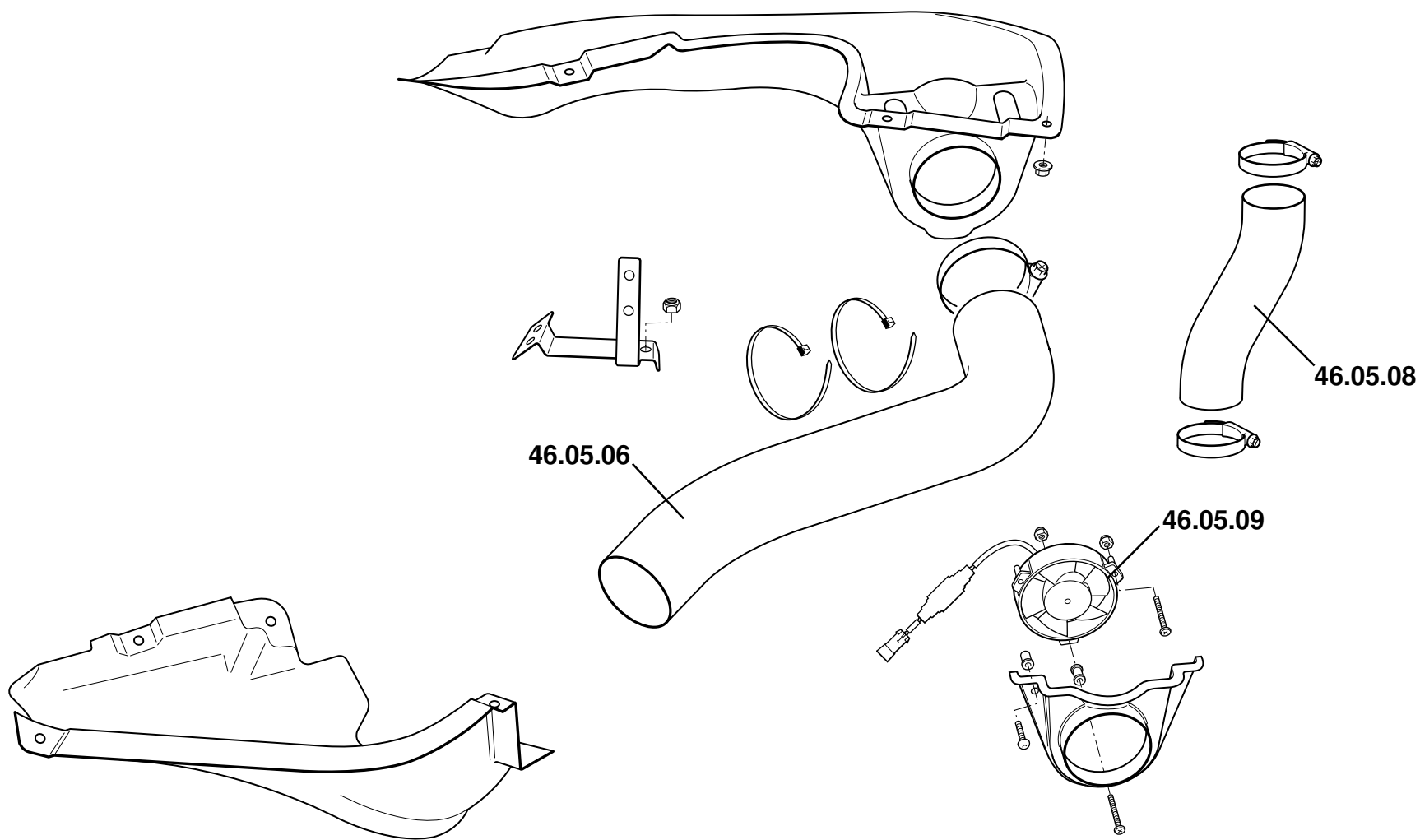
Function Area: 46.00 Cooling

Function Code: 46.03 Oil Cooler/Heat Exchanger & Pipes

Operation Code	Description	Op Type	Hours	Derivative
46.03.01-01	Heat exchanger, oil cooling	r&r	4.5	
46.03.01-02	Heat exchanger, oil cooling	Renew	4.5	
46.03.02-02	'O' ring, exchanger to housing	Renew	4.5	
46.03.04-02	Oil cooler, forward mounted	Renew	1.0	
46.03.05-02	Hose, oil cooler feed	Renew	0.9	
46.03.06-02	Hose, oil cooler return	Renew	0.9	
46.03.07-02	Hose, oil cooler transfer pipe	Renew	1.4	
46.03.08-02	Sandwich plate assembly	Renew	4.5	
46.03.09-02	Hose, coolant feed	Renew	5.0	
46.03.10-02	Hose, coolant return	Renew	5.0	
46.03.11-02	Hose assembly, oil feed and return	Renew	1.7	
46.03.12-02	Gasket, heat exchanger to oil hose assembly	Renew	1.7	
46.03.13-02	Gasket, oil hose assembly to sump	Renew	1.7	
46.03.14-02	Housing, heat exchanger	Renew	4.5	
46.03.15-02	Hose, oil cooler feed, sill pipe (sill removed)	Renew	0.3	
46.03.16-02	Hose, oil cooler return, sill pipe (sill removed)	Renew	0.3	
46.03.17-02	Hose, oil cooler feed (engine end)	Renew	3.1	S
46.03.18-02	Hose, oil cooler return (engine end)	Renew	1.8	S
46.03.19-02	Hose, oil cooler feed (gearbox end)	Renew	1.9	IPS (Auto)
46.03.20-02	Hose, oil cooler return (gearbox end)	Renew	2.7	IPS (Auto)
46.03.21-02	Sandwich plate assembly	Renew	1.2	IPS (Auto)
46.03.22-02	Housing, sandwich plate	Renew	1.2	IPS (Auto)
46.03.23-02	Gasket, sandwich plate to oil hose assembly	Renew	1.2	IPS (Auto)
46.03.24-02	Pipe assembly, oil feed and return	Renew	1.2	IPS (Auto)
46.03.25-02	Hose, oil feed and return (one or both)	Renew	1.3	IPS (Auto)

Function Code: 46.03, Page: 1

Updated 12th September 2011



EVORA

46.05



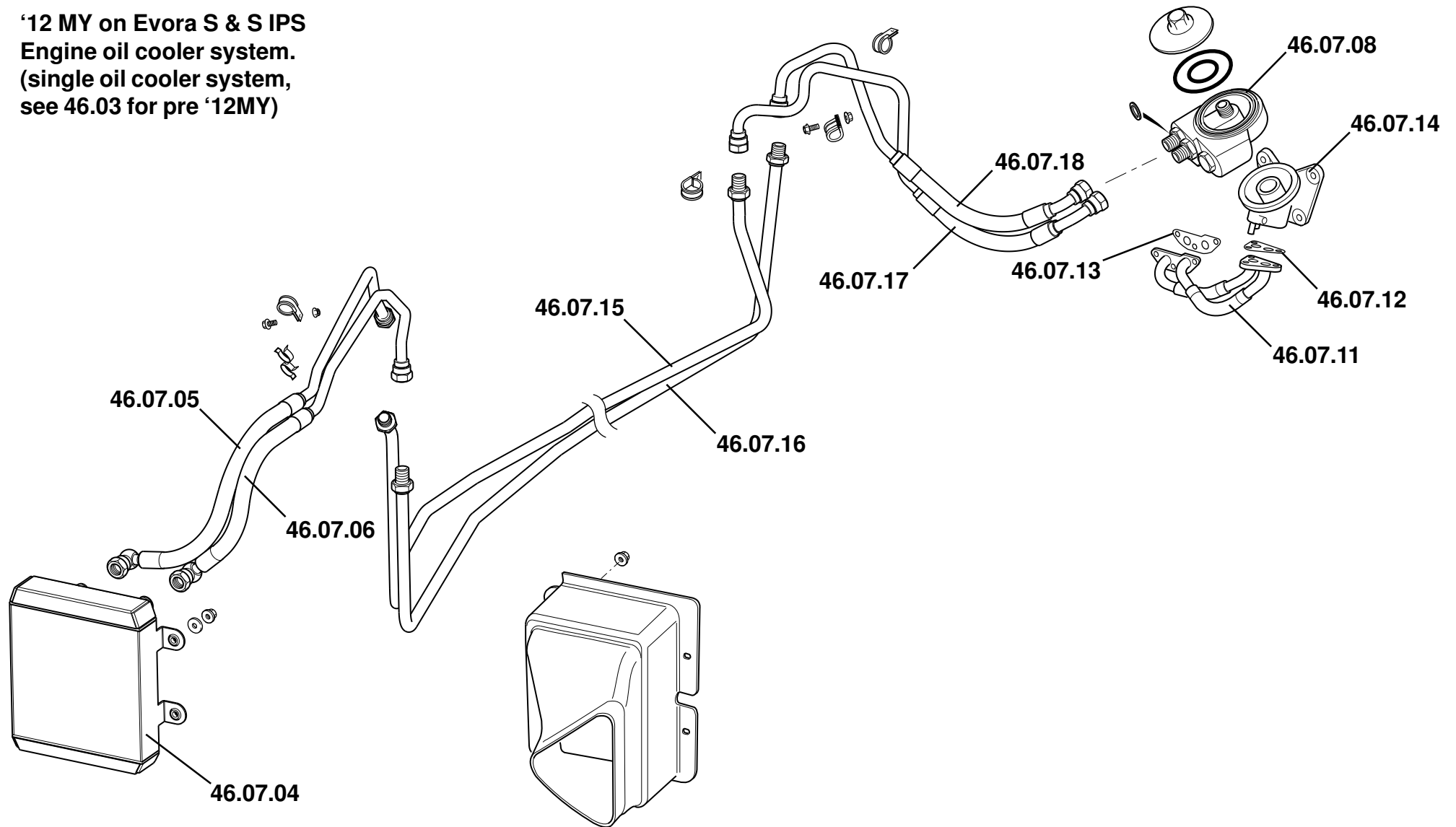
LOTUS EVORA STANDARD LABOUR TIMES.

Function Area: 46.00 Cooling

Function Code: 46.05 Engine Bay Cooling, Ducts & Trunking

Operation Code	Description	Op Type	Hours	Derivative
46.05.06-02	Duct, engine bay cooling	Renew	0.2	
46.05.08-02	Duct, subframe vent to exit grille, RH	Renew	0.2	
46.05.09-01	Fan, engine bay cooling	r&r	0.3	
46.05.09-02	Fan, engine bay cooling	Renew	0.3	

'12 MY on Evora S & S IPS
Engine oil cooler system.
(single oil cooler system,
see 46.03 for pre '12MY)



EVORA
46.07

Updated 1st December 2013



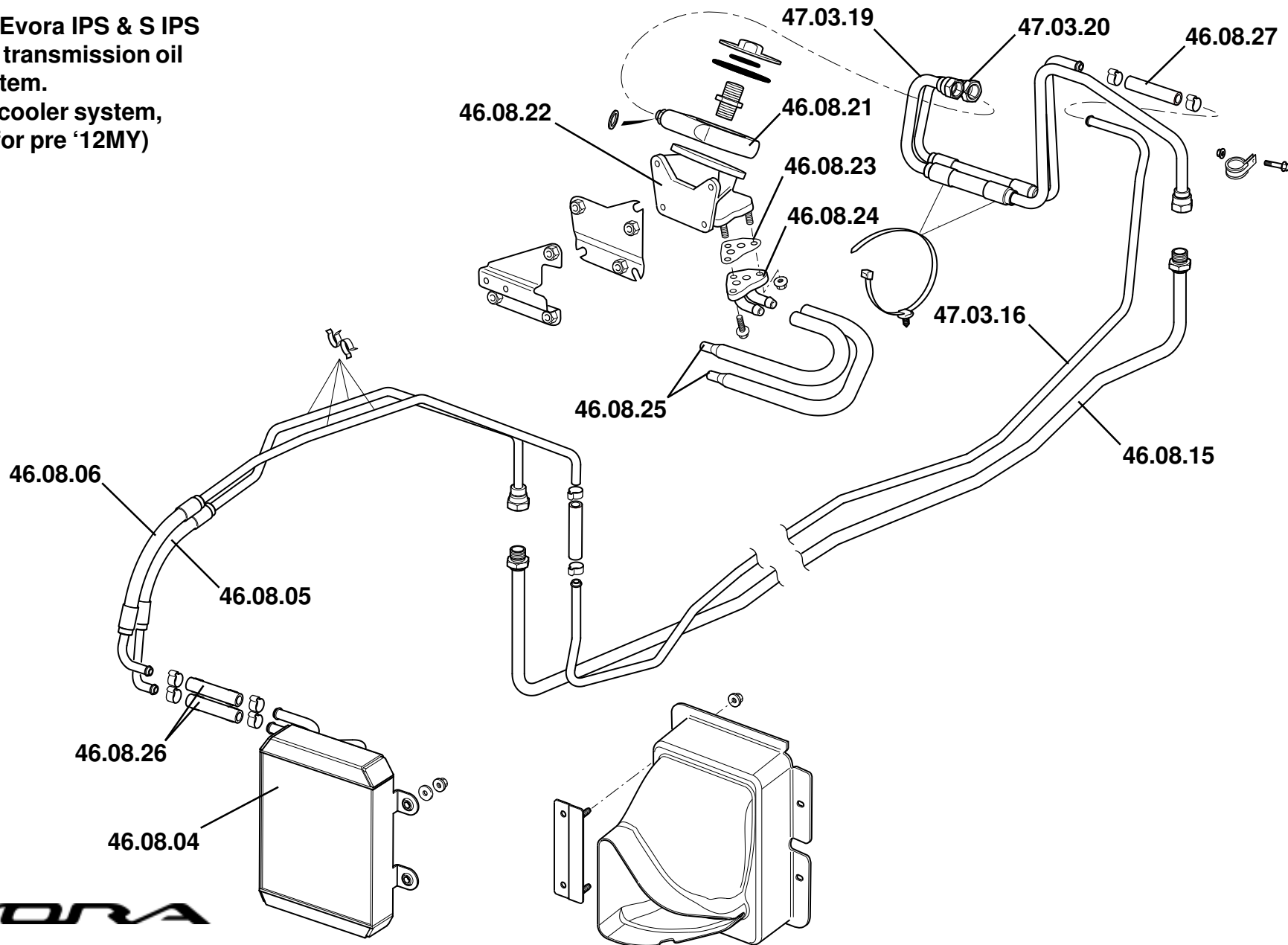
LOTUS EVORA STANDARD LABOUR TIMES.

Function Area: 46.00 Cooling

Function Code: 46.07 Single Oil Cooler System Engine

Operation Code	Description	Op Type	Hours	Derivative
46.07.04-02	Oil cooler, front mounted	Renew	1.0	S
46.07.05-02	Hose, oil cooler feed, front	Renew	0.9	S
46.07.06-02	Hose, oil cooler return, front	Renew	0.9	S
46.07.08-02	Sandwich plate assembly	Renew	4.5	S
46.07.11-02	Hose assembly, oil feed and return	Renew	1.7	S
46.07.12-02	Gasket, housing to oil hose assembly	Renew	1.7	S
46.07.13-02	Gasket, oil hose assembly to sump	Renew	1.7	S
46.07.14-02	Housing, sandwich plate	Renew	4.5	S
46.07.15-02	Hose, oil cooler feed, sill pipe (sill removed)	Renew	0.3	S
46.07.16-02	Hose, oil cooler return, sill pipe (sill removed)	Renew	0.3	S
46.07.17-02	Hose, oil cooler feed, rear	Renew	1.8	S
46.07.18-02	Hose, oil cooler return, rear	Renew	1.8	S

'12 MY on Evora IPS & S IPS
Automatic transmission oil
cooler system.
(single oil cooler system,
see 46.03 for pre '12MY)



EVORA
46.08

Updated 1st December 2013



LOTUS EVORA STANDARD LABOUR TIMES.

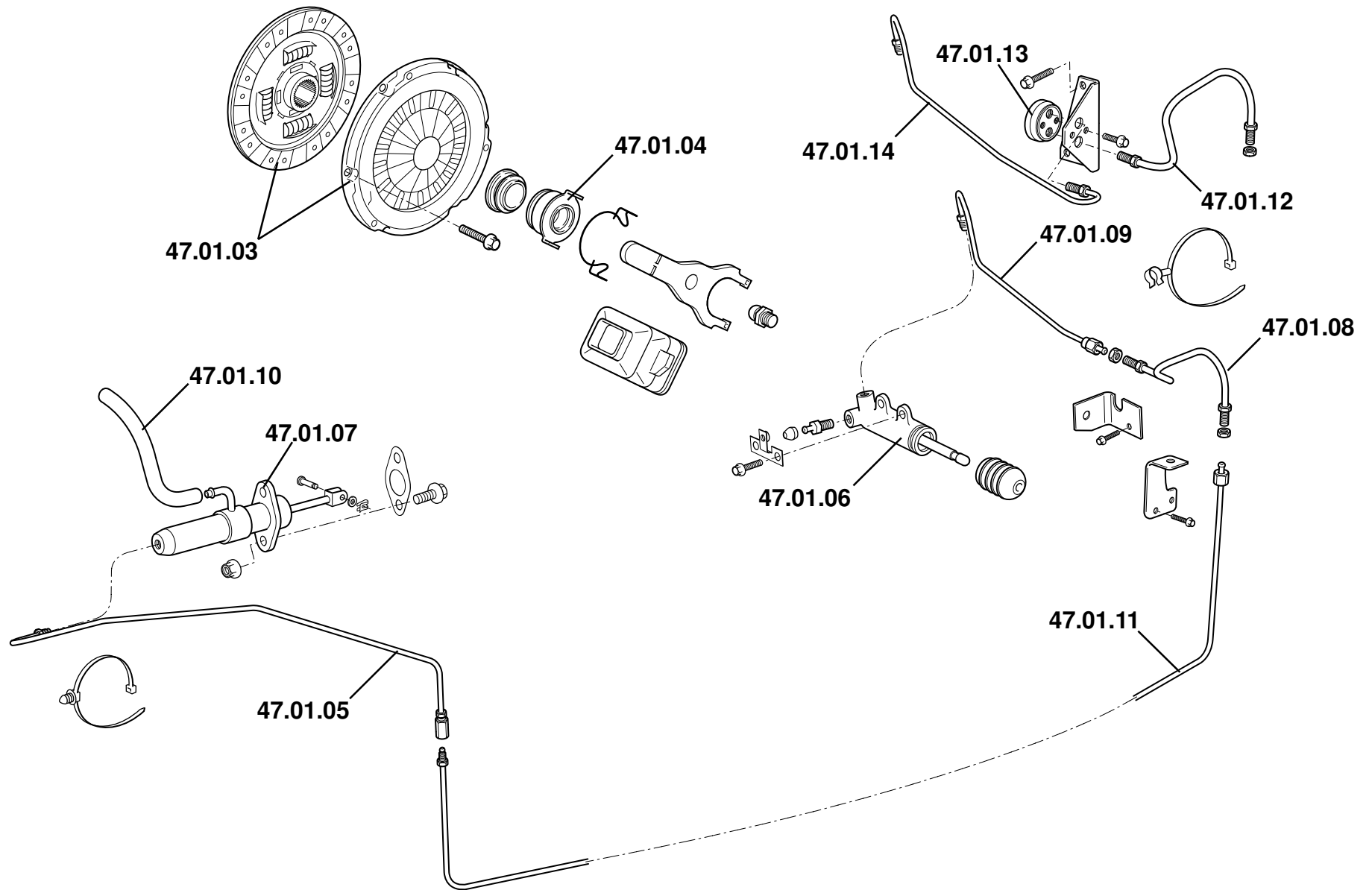
Function Area: 46.00 Cooling

Function Code: 46.08 Single Oil Cooler System Transmission

Operation Code	Description	Op Type	Hours	Derivative
46.08.04-02	Oil cooler, front mounted	Renew	1.0	IPS (Auto)
46.08.05-02	Hose, oil cooler feed, front	Renew	0.9	IPS (Auto)
46.08.06-02	Hose, oil cooler return, front	Renew	0.9	IPS (Auto)
46.08.15-02	Hose, oil cooler feed, sill pipe (sill removed)	Renew	0.3	IPS (Auto)
46.08.16-02	Hose, oil cooler return, sill pipe (sill removed)	Renew	0.3	IPS (Auto)
46.08.19-02	Hose, oil cooler feed, rear	Renew	1.9	IPS (Auto)
46.08.20-02	Hose, oil cooler return, rear	Renew	1.9	IPS (Auto)
46.08.21-02	Sandwich plate assembly	Renew	1.2	IPS (Auto)
46.08.22-02	Housing, sandwich plate	Renew	1.2	IPS (Auto)
46.08.23-02	Gasket, sandwich plate to oil hose assembly	Renew	1.2	IPS (Auto)
46.08.24-02	Pipe assembly, oil feed and return	Renew	1.2	IPS (Auto)
46.08.25-02	Hose, oil feed and return (one or both)	Renew	1.3	IPS (Auto)
46.08.26-02	Link hose, front (one or both)	Renew	0.9	IPS (Auto)
46.08.27-02	Link hose, rear	Renew	1.3	IPS (Auto)

Function Code: 46.08, Page: 1

Updated 1st December 2013



EVORA
47.01

Updated 28th February 2011



LOTUS EVORA STANDARD LABOUR TIMES.

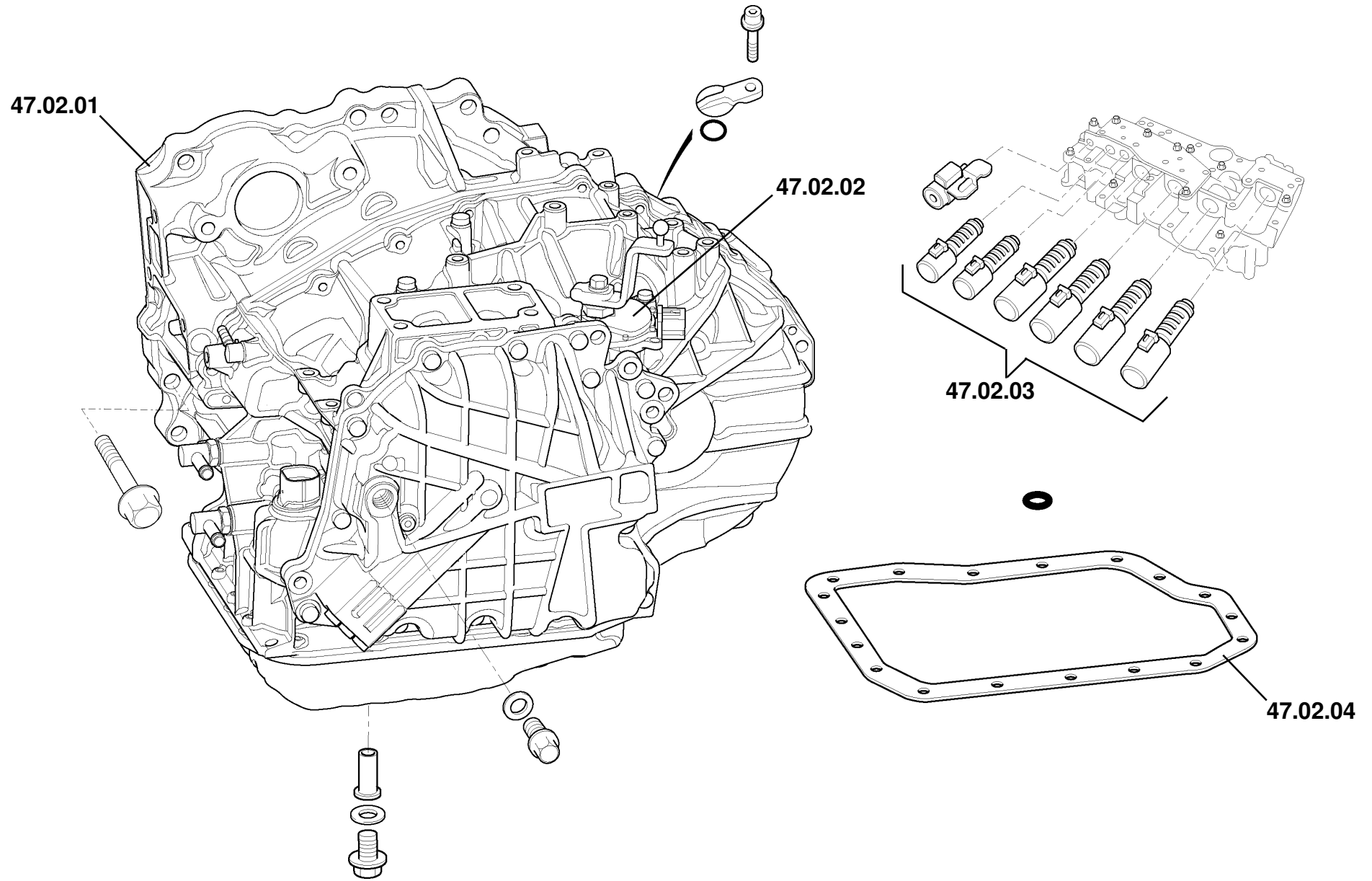
Function Area: 47.00 Transmission

Function Code: 47.01 Clutch & Release Mechanism

Operation Code	Description	Op Type	Hours	Derivative
47.01.03-02	Clutch assembly (gearbox removed)	Renew	0.5	
47.01.04-02	Release bearing, clutch (gearbox removed)	Renew	0.1	
47.01.05-01	Pipe, front from master cylinder (RHD add 47018001)	r&r	2.6	
47.01.05-02	Pipe, front from master cylinder (RHD add 47018001)	Renew	2.6	
47.01.06-02	Clutch slave cylinder	Renew	0.8	
47.01.07-02	Clutch master cylinder (Incl. clam R&R)	Renew	4.0	
47.01.08-01	Hose, side pipe to rear pipe (incl. A/C & coolant drain/refill)	r&r	1.8	
47.01.08-02	Hose, side pipe to rear pipe (incl. A/C & coolant drain/refill)	Renew	1.8	
47.01.09-01	Pipe, rear to slave cylinder	r&r	0.7	
47.01.09-02	Pipe, rear to slave cylinder	Renew	0.7	
47.01.10-01	Pipe, reservoir to master cylinder	r&r	2.6	
47.01.10-02	Pipe, reservoir to master cylinder	Renew	2.6	
47.01.11-02	Pipe, side (sill removed)	Renew	0.5	
47.01.12-02	Pipe, side to damper	Renew	1.8	
47.01.13-02	Damper, clutch actuation	Renew	0.6	
47.01.14-02	Pipe, damper to slave cylinder	Renew	0.7	
47.01.80-01	Additional time for RHD cars when claiming 47010501/02	r&r	0.2	

Function Code: 47.01, Page: 1

Updated 4th April 2013



EVORA
47.02

Updated 1st December 2013



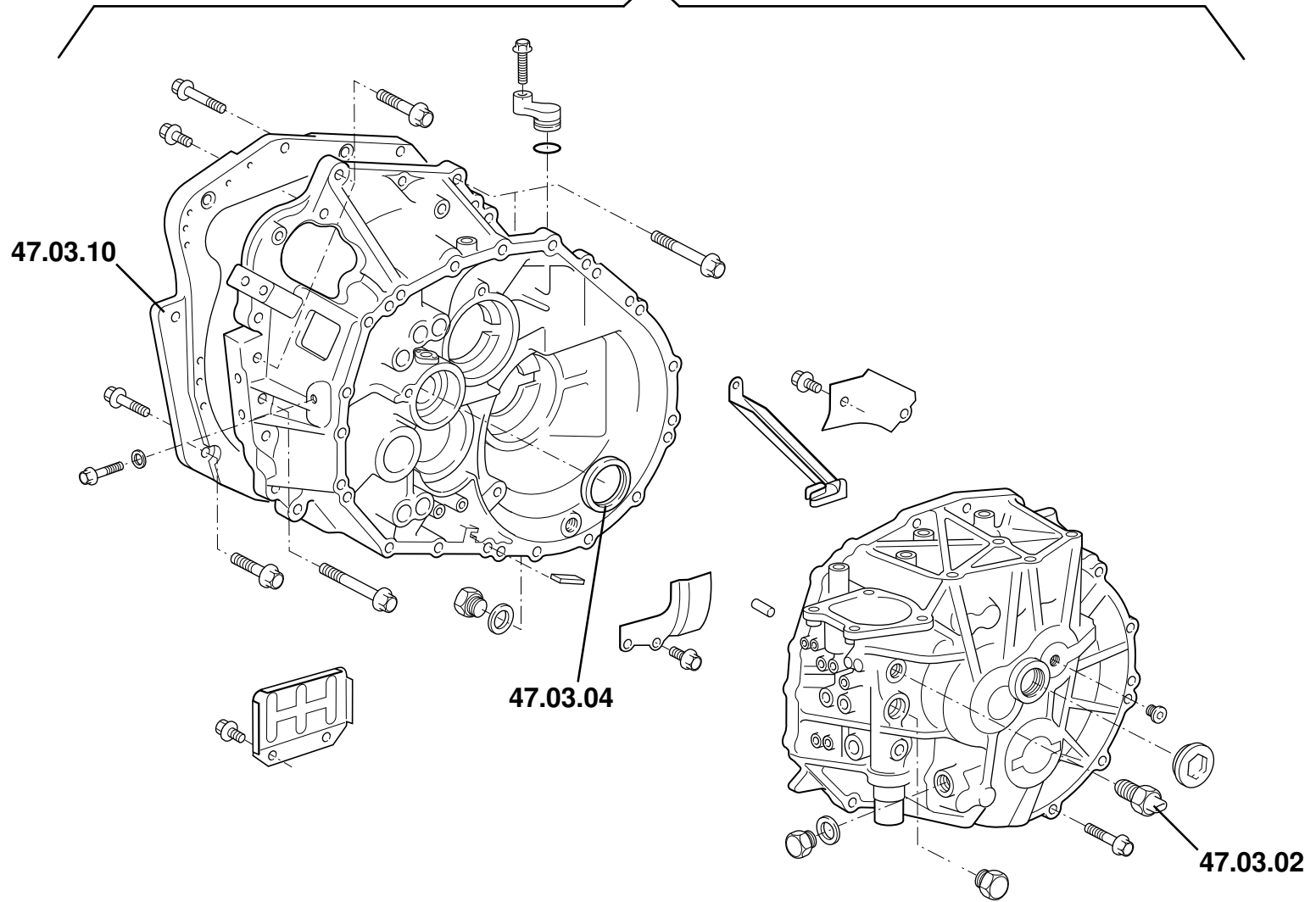
LOTUS EVORA STANDARD LABOUR TIMES.

Function Area: 47.00 Transmission

Function Code: 47.02 Automatic Transmission

Operation Code	Description	Op Type	Hours	Derivative
47.02.01-01	Transmission assembly (incl. seperate from engine, bleed & level ch	r&r	30.5	IPS (Auto)
47.02.01-02	Transmission assembly (incl. bleed & level check procedure)	Renew	31.0	IPS (Auto)
47.02.02-01	Switch, neutral start	r&r	0.7	IPS (Auto)
47.02.02-02	Switch, neutral start	Renew	0.7	IPS (Auto)
47.02.03-02	Shift solenoid valve (one or all)	Renew	1.7	IPS (Auto)
47.02.04-02	Gasket, oil pan	Renew	1.3	IPS (Auto)

47.03.01



EVORA

47.03

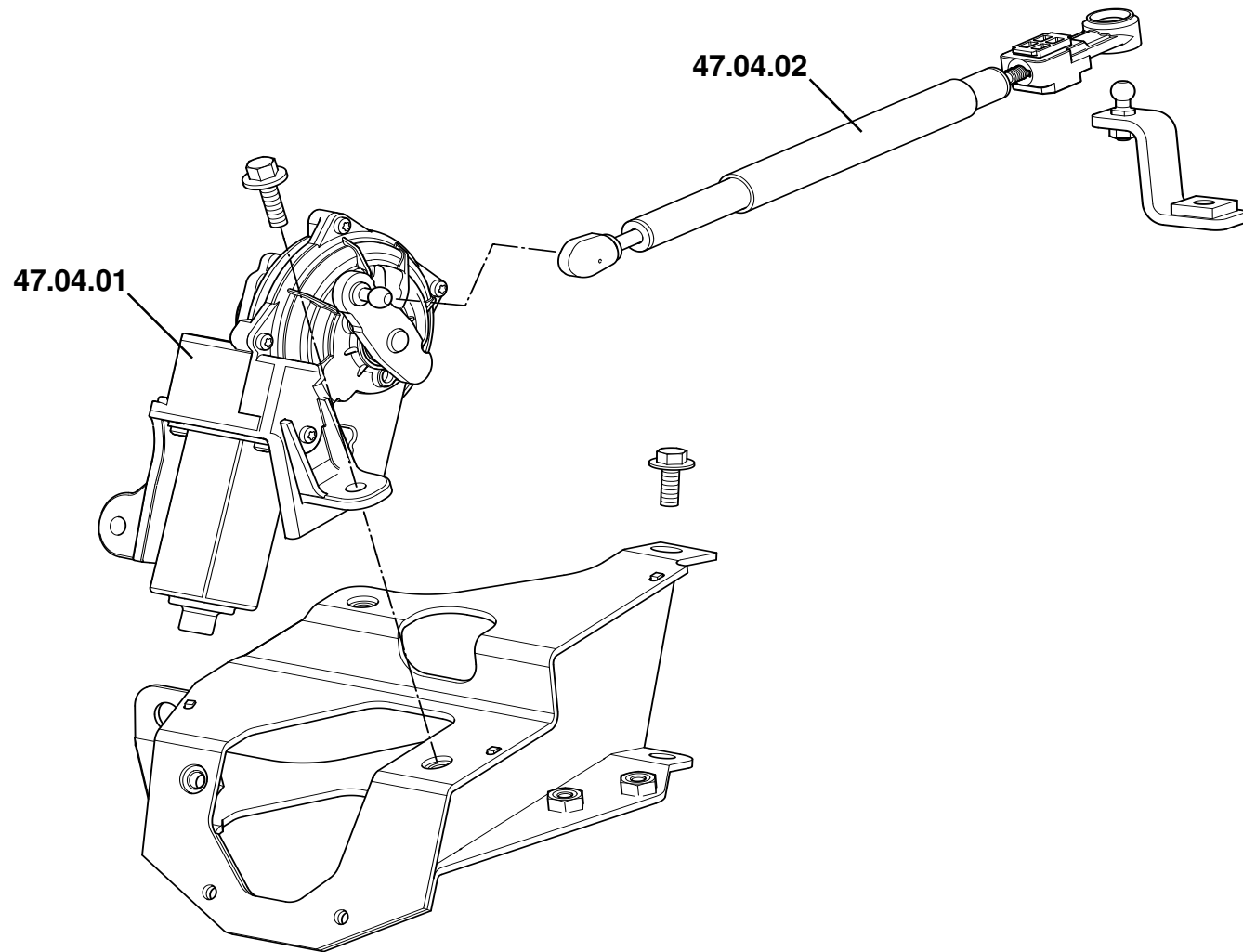


LOTUS EVORA STANDARD LABOUR TIMES.

Function Area: 47.00 Transmission

Function Code: 47.03 Transmission Assembly

Operation Code	Description	Op Type	Hours	Derivative
47.03.01-01	Transmission assembly (includes seperation from engine)	r&r	29.5	
47.03.01-02	Transmission assembly	Renew	30.0	
47.03.01-04	Transmission assembly	Overhaul	36.9	
47.03.02-02	Reverse lamp switch	Renew	0.6	
47.03.04-02	Oil seal, input shaft (gearbox removed)	Renew	1.6	
47.03.10-02	Adapter plate (gearbox removed)	Renew	0.3	
47.03.99-98	Use 470301-04 only when complete overhaul undertaken, for			
47.03.99-99	minor repairs use the relevant codes from 47.06, 47.07 or 47.11			



EVORA

47.04

Updated 9th June 2011

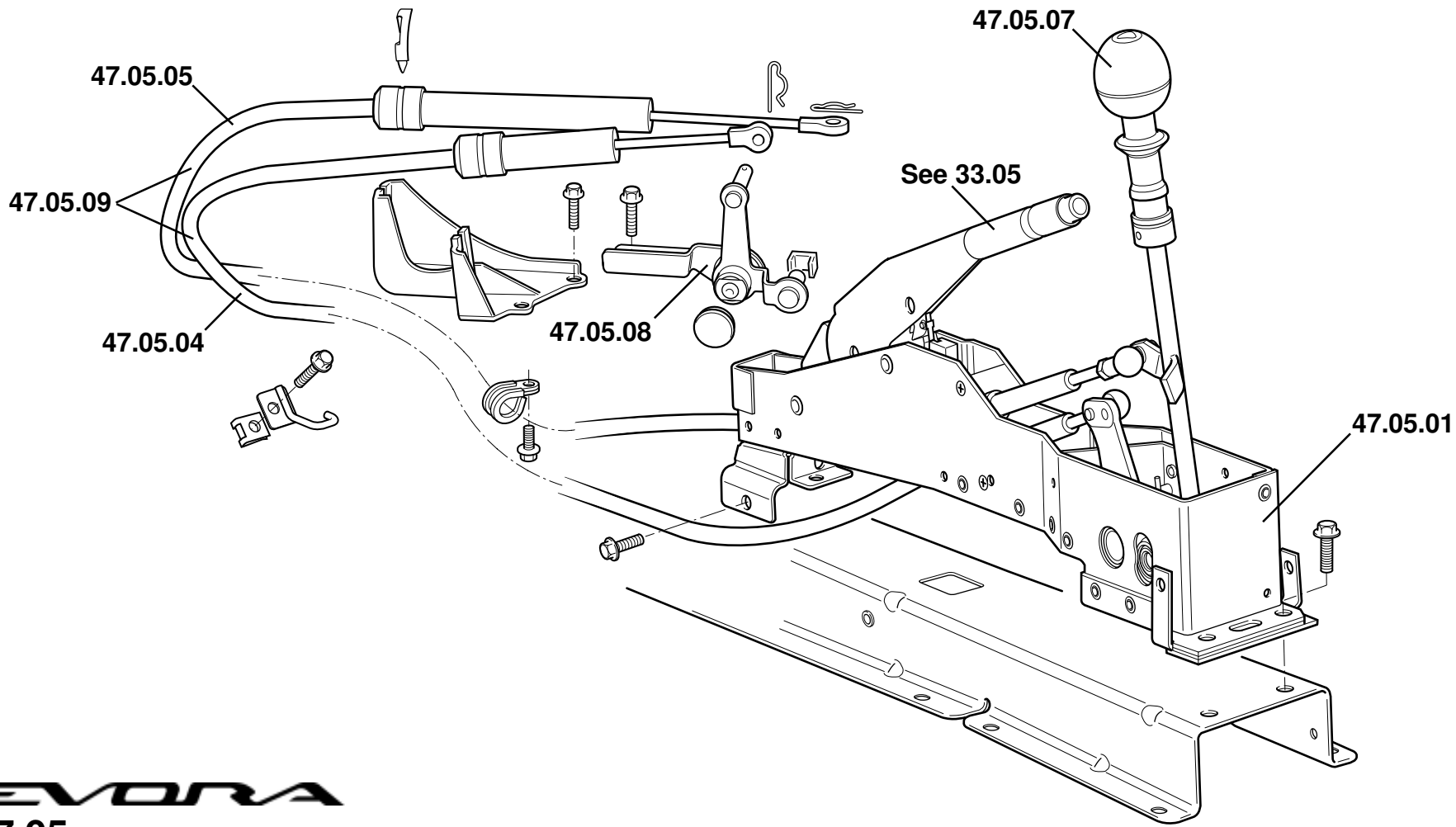


LOTUS EVORA STANDARD LABOUR TIMES.

Function Area: 47.00 Transmission

Function Code: 47.04 Gearchange Mechanism, External Auto

Operation Code	Description	Op Type	Hours	Derivative
47.04.01-01	Actuator, gear shift	r&r	0.6	
47.04.01-02	Actuator, gear shift	Renew	0.6	
47.04.02-00	Rod assembly, shift actuator	Adjust	0.6	
47.04.02-02	Rod assembly, shift actuator	Renew	0.6	



EVORA
47.05

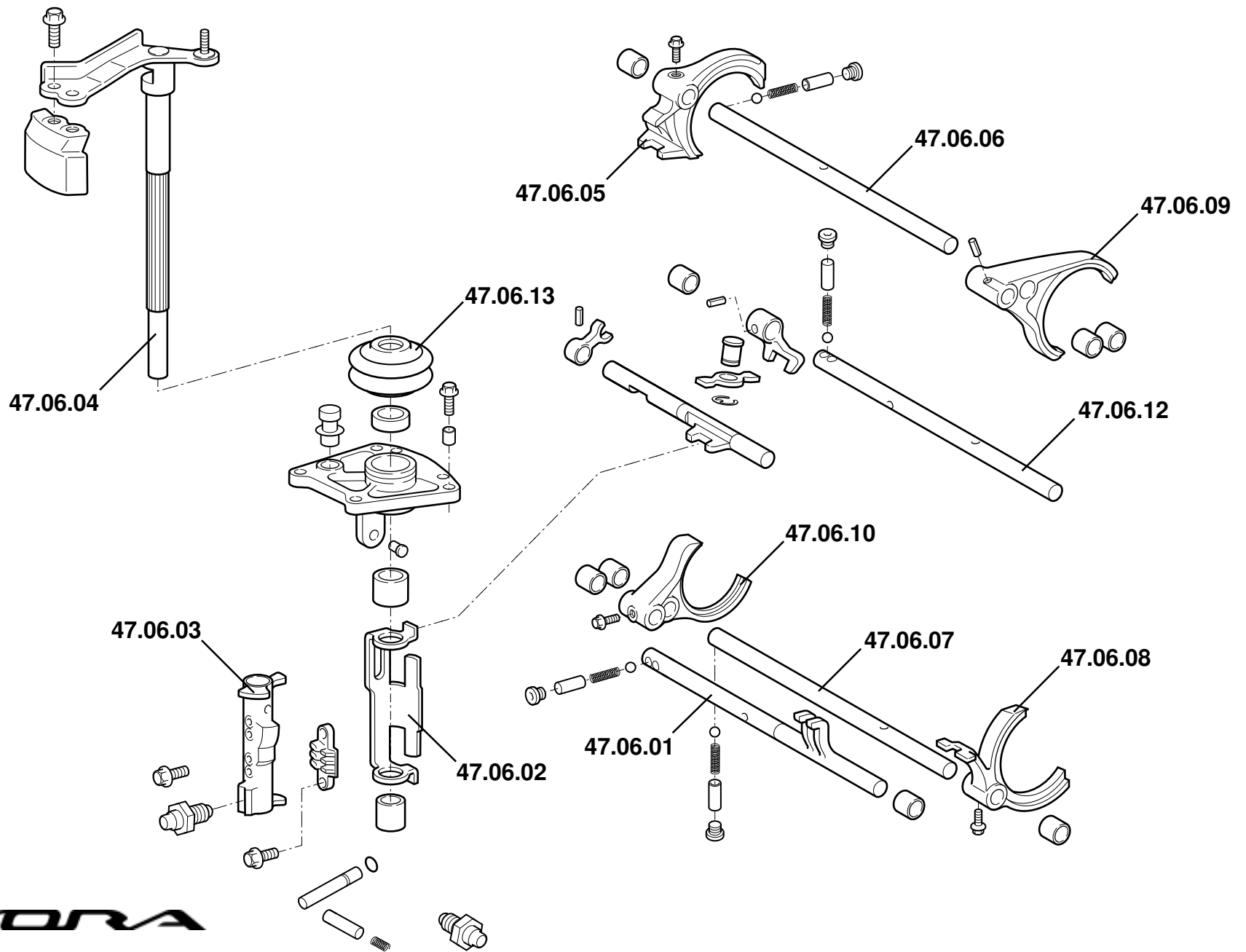


LOTUS EVORA STANDARD LABOUR TIMES.

Function Area: 47.00 Transmission

Function Code: 47.05 Gearchange Mechanism, External

Operation Code	Description	Op Type	Hours	Derivative
47.05.01-01	Gearshift/parking brake lever assembly	r&r	3.7	
47.05.01-02	Gearshift/parking brake lever assembly	Renew	3.9	
47.05.04-00	Cable, crossgate (adjusting single cable only)	Adjust	0.5	
47.05.04-02	Cable, crossgate (replacing single cable only)	Renew	3.7	
47.05.05-00	Cable, gearshift (adjusting single cable only)	Adjust	0.5	
47.05.05-02	Cable, gearshift (replacing single cable only)	Renew	3.7	
47.05.07-02	Gear knob (see Service Bulletin 2009/07)	Renew	0.2	
47.05.08-01	Crank assembly, shift & select	r&r	0.4	
47.05.08-02	Crank assembly, shift & select	Renew	0.5	
47.05.09-00	Both gearshift and crossgate cables	Adjust	0.7	
47.05.09-02	Both gearshift and crossgate cables	Renew	3.8	
47.05.10-00	Additional 0.1 for 12MY cable(s) claim qty 2 if both cables replaced	General	0.1	



EVORA
47.06

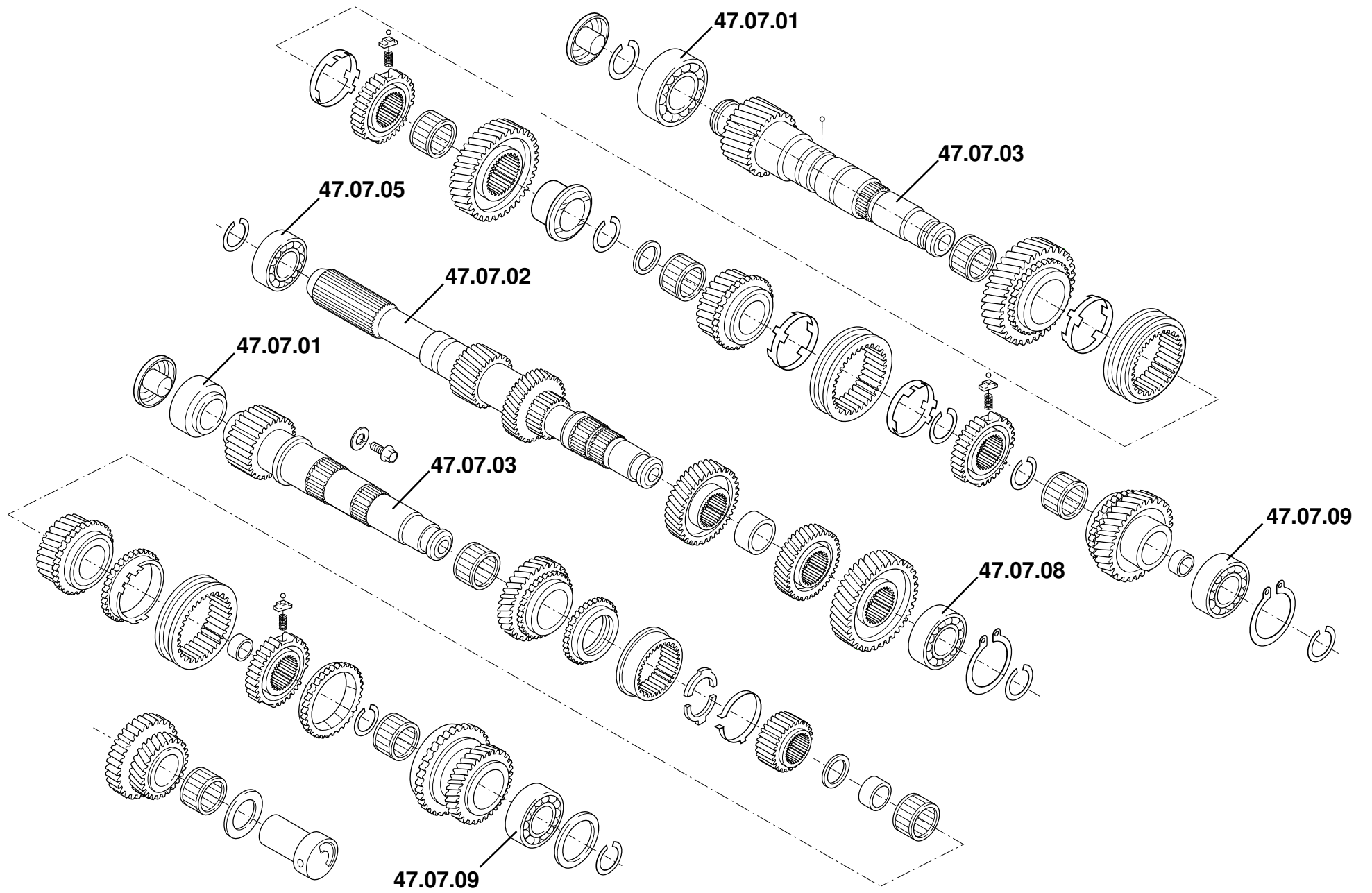


LOTUS EVORA STANDARD LABOUR TIMES.

Function Area: 47.00 Transmission

Function Code: 47.06 Gear Selector Mechanism, Internal

Operation Code	Description	Op Type	Hours	Derivative
47.06.01-02	Selector fork, reverse shift (gearbox removed)	Renew	1.5	
47.06.02-02	Plate, shift interlock (gearbox removed)	Renew	1.5	
47.06.03-02	Lever, shift inner (gearbox removed)	Renew	1.5	
47.06.04-02	Shaft, shift & select (gearbox removed)	Renew	1.5	
47.06.05-02	Gear shift fork, 1st/2nd gears (gearbox removed)	Renew	1.5	
47.06.06-02	Shaft, gear shift fork, 1st/2nd gears (gearbox removed)	Renew	1.5	
47.06.07-02	Shaft, gear shift fork, 5th/6th gears (gearbox removed)	Renew	1.5	
47.06.08-02	Gear shift fork, 5th/6th gears (gearbox removed)	Renew	1.5	
47.06.09-02	Gear shift fork, 3rd/4th gears (gearbox removed)	Renew	1.5	
47.06.10-02	Gear shift fork, reverse (gearbox removed)	Renew	1.5	
47.06.12-02	Shaft, gear shift fork, 3rd/4th gears (gearbox removed)	Renew	1.5	
47.06.13-02	Cover assembly, control shaft	Renew	0.5	
47.06.99-99	Claim only 1 code for primary failed part. additional to gearbox r&r			



EVORA
47.07

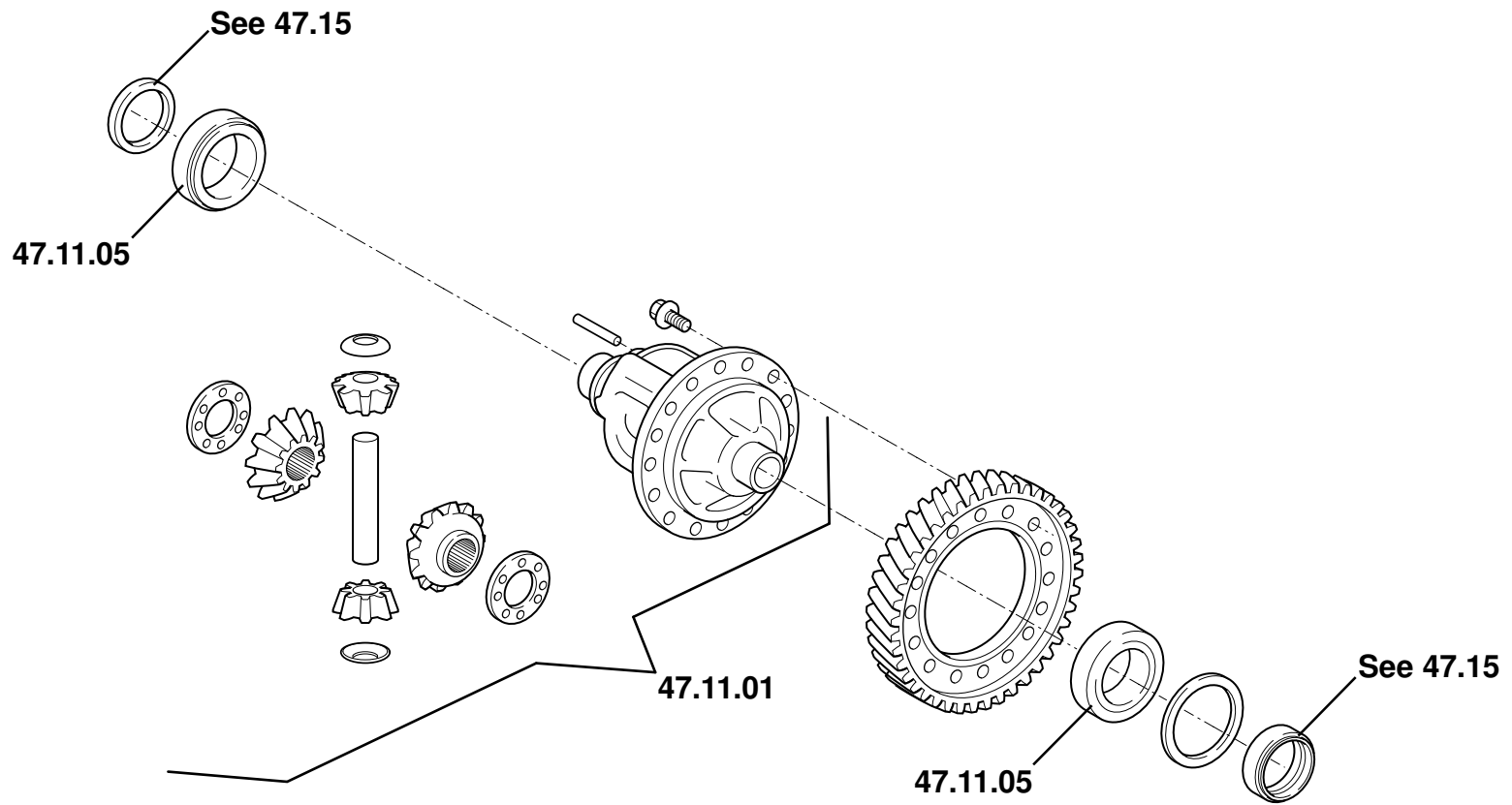


LOTUS EVORA STANDARD LABOUR TIMES.

Function Area: 47.00 Transmission

Function Code: 47.07 Gears, Shafts & Bearings

Operation Code	Description	Op Type	Hours	Derivative
47.07.01-02	Bearing, output shaft, front (gearbox removed)	Renew	2.3	
47.07.02-02	Input shaft/gears (gearbox removed)	Renew	2.2	
47.07.03-02	Output shaft/gears (gearbox removed)	Renew	2.3	
47.07.05-02	Bearing, input shaft, front (gearbox removed)	Renew	1.7	
47.07.08-02	Bearing, input shaft, rear (gearbox removed)	Renew	2.1	
47.07.09-02	Bearing, output shaft, rear (gearbox removed)	Renew	2.2	
47.07.99-99	Claim only 1 code for primary failed part, additional to gearbox r&r			



EVORA
47.11

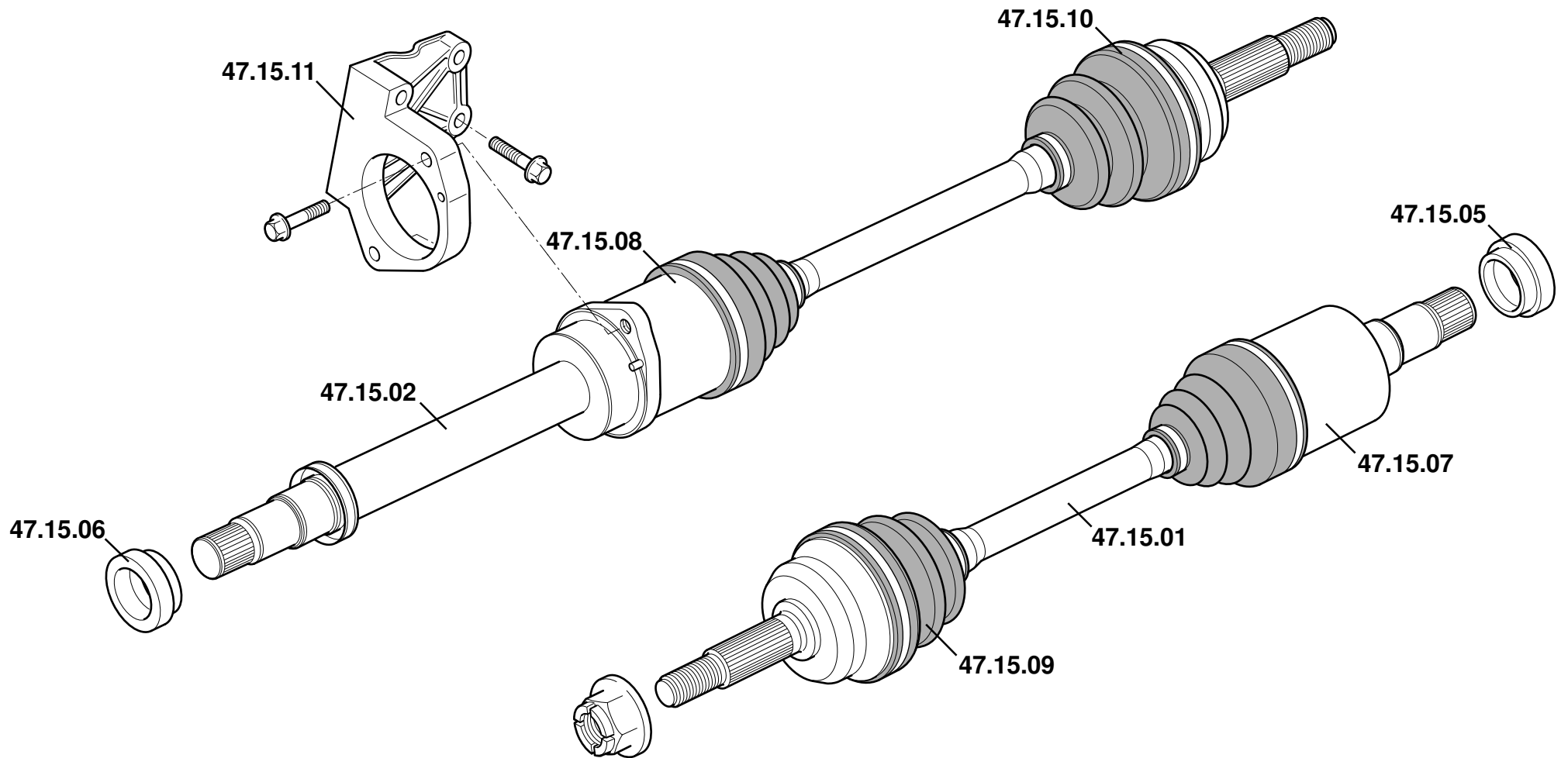


LOTUS EVORA STANDARD LABOUR TIMES.

Function Area: 47.00 Transmission

Function Code: 47.11 Final Drive & Bearings

Operation Code	Description	Op Type	Hours	Derivative
47.11.01-02	Differential case assy (gearbox removed)	Renew	2.5	
47.11.05-02	Bearing, differential side (gearbox removed)	Renew	2.2	



EVORA
47.15



LOTUS EVORA STANDARD LABOUR TIMES.

Function Area: 47.00 Transmission

Function Code: 47.15 Driveshafts & Seals

Operation Code	Description	Op Type	Hours	Derivative
47.15.01-01	Driveshaft assembly, LH	r&r	1.0	
47.15.01-02	Driveshaft assembly, LH	Renew	1.0	
47.15.02-01	Driveshaft assembly, RH	r&r	1.0	
47.15.02-02	Driveshaft assembly, RH	Renew	1.0	
47.15.05-02	Oil seal, differential to driveshaft assembly, LH	Renew	1.0	
47.15.06-02	Oil seal, differential to driveshaft assembly, RH	Renew	1.0	
47.15.07-02	CV joint assembly/gaiter, inboard, LH	Renew	1.5	
47.15.08-02	CV joint assembly/gaiter, inboard, RH	Renew	1.5	
47.15.09-02	CV joint assembly/gaiter, outboard, LH	Renew	1.5	
47.15.10-02	CV joint assembly/gaiter, outboard, RH	Renew	1.5	
47.15.11-01	Driveshaft bearing bracket	r&r	1.0	
47.15.11-02	Driveshaft bearing bracket	Renew	1.0	

SUGGESTED LABOUR TIME AMENDMENT

Operation No; _____ Model/Year; _____

Reasons for time amendment to existing operation code;

.....
.....
.....
.....
.....
.....
.....
.....
.....
.....
.....
.....
.....
.....

Existing labour time;.....Suggested labour time;.....

Dealer print name;.....Dealer signature;.....

Date; ___/___/___ Dealer stamp;

SUGGESTED LABOUR TIME AMENDMENT

Operation No; _____ Model/Year; _____

Reasons for time amendment to existing operation code;

.....
.....
.....
.....
.....
.....
.....
.....
.....
.....
.....
.....
.....
.....

Existing labour time;.....Suggested labour time;.....

Dealer print name;.....Dealer signature;.....

Date; ___/___/___ Dealer stamp;