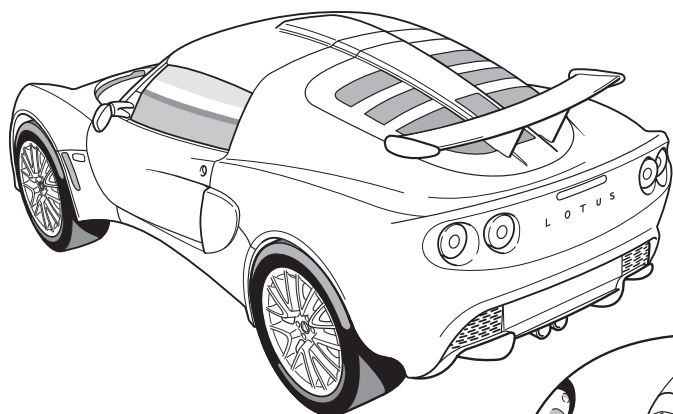


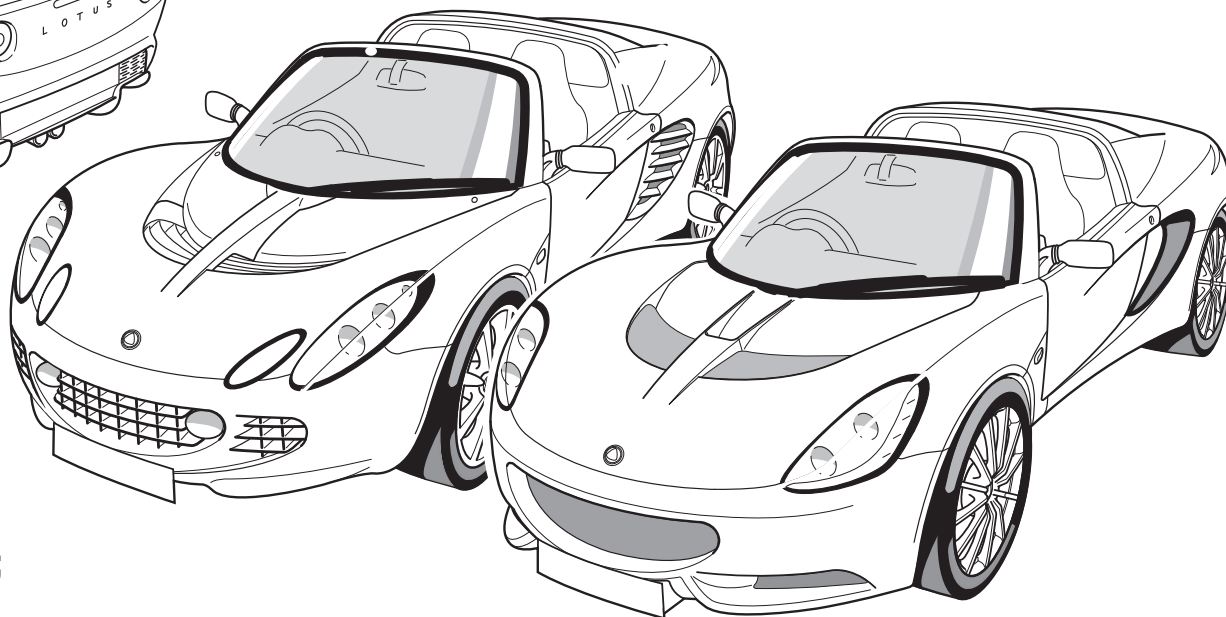


ELISE & EXIGE LABOUR TIME SCHEDULE



**ELISE
EXIGE**

**2004 Model Year
Onwards with
1ZZ/2ZZ & 1ZR/2ZR engines;
+2-Eleven supplement**



Technical Publications, Lotus Cars Ltd, Hethel, Norwich, Norfolk, NR14 8EZ. England.

Tel: +44 (0)1953 608000 www.lotuscars.com

© Lotus Cars Ltd. 2009

Part Number B120T0328D/09/01

Updated 25th July 2013

LABOUR TIME SCHEDULE

This labour time schedule is compiled to assist Lotus Dealers when submitting warranty claims via the warranty dealer connect system and also when estimating job times.

The manual is arranged in 'component code' order in common with the Service Parts List, and allocates an operation code to each of the principal operations, with a corresponding labour time

Component Code

For the purposes of part identification, the components of the vehicle are split into function groups, such as front suspension, glazing, etc., and allocated a 'component code', as listed in the index pages, and is in common with the Service Parts List. The first two digits of the function code refer to the major function group, the second two digits to a medium, and the third pair of digits to a specific part. The six figure group identifies a particular component, and is the 'component code'. If the particular part is not listed, then please contact the warranty department for prior authorisation. Please see criteria for pre authorisation from the policy and procedures manual.

Failure Codes

The failure codes consist of A and B codes, and is entered onto the warranty claim. The A code denotes the fault with the applicable component, and the B code denotes the symptoms that led up to discovering the component fault. A full list of A and B types are at the beginning of the labour time schedule.

Operation Code

An operation code is used to identify the type of operation that has been applied to the component, and the subsequent labour time allowance, and is entered onto the warranty claim. The operation codes consist of the six digit component code in conjunction with a two digit work code, These work codes include:

- 00 Test / adjust
- 01 Remove and Refit (R & R)
- 02 Renew
- 03 Renew including paint
- 04 Overhaul
- 05 Renew - unit out of car
- 06 Retrofit
- 07 Modify

Unless otherwise stated the operation codes listed are 'stand alone' times. Only where reference is made to another operation code, i.e. (gearbox removed) should multiple operation times be claimed for.

Labour Time

The times listed against each of the operations are those required by a suitably skilled technician provided with appropriate facilities and special tools (when applicable) working at normal speed and using procedures detailed in the Service Notes manual. The decimal clock system is split into 100 minutes so that the resultant labour time can be calculated through your labour rate in order to obtain a monetary value.

Example: 15 minutes=0.25
1/2 hour =0.50
3/4 hour =0.75
1 hour =1.00

Suggested Labour Time Changes

Forms are provided at the back of the book for use by the dealers if a listed labour time is considered to be incorrect. When using this form, the exact work procedure should be detailed, together with the reasoning and other factors to enable the report to be accurately analysed.

Diagnosis and Testing

As a general rule, diagnosis and testing both before and after an operation should be considered an operating expense and are not reclaimable under warranty unless prior authority has been granted.

FAULT A-CODES

01	MECHANICAL DISTORTED / WARPED / BENT	26	INTERMITTENT
02	POORLY FITTED	27	OVER / UNDER SENSITIVE
03	FOULING	28	INCORRECT ROUTING
04	BROKEN / CRACKED / DAMAGED	29	WIRE INCORRECT PIN POSITION
05	SEIZED / STIFF / STICKING / BINDING		TRIM
06	LOOSE	30	TORN / SCORED / SCRATCHED
07	PREMATURELY WORN	31	DISCOLOURED / STAINED / FADED
08	BURNT / MELTED BY HEAT	32	POOR ADHESION (MECH / TRIM PART)
09	CONTAMINATED	33	FABRIC FRAYING / POOR STITCHING
10	CORRODED		PAINT
11	GASKET FAILURE	34	CAVITY PINHOLE
12	'O' RING / SEALANT FAILURE	35	OVERSPRAY
13	EXCESSIVE PLAY	36	DIRT INCLUSION IN COLOUR COAT
14	MISSING PARTS	37	PAINT RUNS
15	INCORRECT ADJUSTMENT	38	SINKAGE
16	INCORRECT ALIGNMENT	39	THIN PAINT
17	IMPROPER CAULKING	40	GEL CRACKS
18	INCORRECT BONDING	41	CHIPPING
19	LACK OF LUBRICATION	42	PIN HOLES
	ELECTRICAL	43	FLAKING
20	OPEN CIRCUIT / POOR OR NO CONNECTION	44	COLOUR MISMATCH
21	CLOSED CIRCUIT / SHORT CIRCUIT	45	MICRO BLISTERING
22	INTERFERENCE	46	ROUGH SURFACE
23	INCORRECT READING	47	ORANGE PEEL
24	BATTERY FAULT	48	POOR SEAM
25	INOOPERATIVE	49	DULL FINISH
		50	MISCELLANEOUS

SYMPTOM B-CODES

01	ENGINE STALLING	24	POOR GEAR SELECTION
02	NON OR HARD TO START	25	DIFFICULTY CHANGING UP
03	POOR TICKOVER	26	DIFFICULTY CHANGING DOWN
04	POOR ACCELERATION / POWER	27	NO GEAR SELECTION
05	POOR COLD START	28	EXCESSIVE NOISE FROM GEARBOX
06	POOR HOT START	29	GEAR SHIFT (SHOCK) EXCESSIVE
07	ENGINE KNOCK	30	PULLING TO ONE SIDE (STEERING)
08	OVER HEATING	31	PULLING TO ONE SIDE (BRAKING)
09	RUNNING COLD	32	INCORRECT RIDE HEIGHT
10	HIGH FUEL CONSUMPTION	33	BODY LEANING TO ONE SIDE
11	HIGH OIL CONSUMPTION	34	ABNORMAL SOUND
12	EXCESSIVE EXHAUST SMOKE	35	WATER INGRESS
13	INCORRECT CHARGING	36	POOR APPEARANCE
14	OIL LEAK	37	FAULTY ACTUATION
15	COOLANT LEAK	38	IMPROPER INDICATION
16	FUEL LEAK	39	POOR OR NO LIGHTING
17	GREASE LEAK	40	MISCELLANEOUS
18	VACUUM LEAK	80	WIND NOISE
19	HYDRAULIC FLUID LEAK	82	IMPROPER WIPING
20	REFRIGERANT LEAK	85	VIBRATION / JUDDER
21	INCORRECT PRESSURE	87	CONTAMINATION
22	CLUTCH SLIPPING / DRAGGING	89	ILL FITTING
23	JUMPING OUT OF GEAR	90	INOPERATIVE

ELISE, EXIGE Contents

10.00 Body

- 10.01 Body: Front & Rear Clamshells & Fixings
- 10.02 Body: Bodysides, Windscreen Frame & Rear Bulkhead
- 10.04 Crash Structures
- 10.09 Front Access Hatch & Release Mechanism
- 10.11 Engine Cover Lid/Tailgate & Release Mechanism
- 10.15 Door Shells, Beams, Hinges
- 10.17 Door Latch Mechanism
- 10.20 Rear Window Shroud & Fixings
- 10.23 Spoilers & Aerofoils
- 10.25 Undertray & Diffuser
- 10.31 Towing Strut/Hook

11.00 Glazing and Seals

- 11.01 Windscreen, Door Glass, Seals & Weather Strips
- 11.02 Door Window Lift Mechanism

12.00 Exterior Fittings

- 12.01 Wheelarch Liners
- 12.02 Soft Top Roof, Cant Rails & Stays
- 12.03 Grilles & Louvres
- 12.04 Hard Top Roof Panel, Seals & Fittings
- 12.05 Decals, Badges & Protective Film
- 12.09 Exterior Driving Mirrors

13.00 Seats & Seat Belts

- 13.01 Seat Runners
- 13.02 Seat Assemblies, Lumbar Support
- 13.27 Seat Belts

14.00 Pedal Box & Fascia

- 14.01 Pedal Box, Pedals, Throttle Control
- 14.05 Fascia Structure & Supporting Hardware
- 14.10 Instrument Cowling

15.00 Interior Trim

- 15.05 Interior Driving Mirror & Sunvisors
- 15.11 Interior Trim & Stowage Provision
- 15.13 Front Door Trims
- 15.18 Interior Trims, Chassis Trim Panels
- 15.19 Centre Tunnel Trim, Gear Lever Gaiters/Shrouds
- 15.24 Luggage Compartment Carpet
- 15.30 Carpeting & Mats

17.00 Electrical

- 17.01 Harnesses, Leads
- 17.03 Horn, Inertia Switch, Modules, Fuses & Relays
- 17.05 Interior Switches, Auxiliary Power Socket
- 17.06 Engine Management, Sensors & SIR Modules
- 17.07 Instruments, Tell tales & Displays
- 17.11 Exterior Lamps, Except Headlamps
- 17.13 Headlamps
- 17.17 Interior Lamps
- 17.21 Windscreen Wiper Motor, Wipers & Washers
- 17.27 In Car Entertainment
- 17.31 Battery, Clamps & Cables
- 17.33 Security Alarm System

18.00 Heating, Ventilation, Air Conditioning

- 18.01 Heater/Air Conditioning Assemblies, Housings
- 18.03 AC Components, Pipes & Hoses
- 18.05 Heater, Pipes, Hoses
- 18.07 Interior Blower Motor
- 18.09 Driver Operated Controls
- 18.12 AC/Heater Air Distribution Plenum
- 18.13 Air trunking, Ducts & Ventilators
- 18.14 AC Air Recirculation System

19.00 Labels

- 19.01 Labels

ELISE, EXIGE Contents

30.00 Chassis

- 30.01 Chassis, Subframes
 - 30.02 Seat Belt Mounting Frames, Stays
-

31.00 Suspension

- 31.01 Front Suspension, Incl. Hubs
 - 31.03 Rear Suspension, Incl. Hubs
-

32.00 Steering

- 32.03 Rack & Pinion & Lower Column
 - 32.05 Upper Column, Wheel, Steering Lock
-

33.00 Brakes

- 33.01 Brake Discs & Calipers
 - 33.03 Master Cylinder, Servo, ABS Controller, Pipes & Hoses
 - 33.05 Parking Brake Mechanism
-

34.00 Wheels & Tyres

- 34.01 Wheels, Tyres & Valves
-

40.00 Engine

- 40.01 Engine Block & Mounts
 - 40.03 Sump Assembly
 - 40.05 Cylinder Head, Valves, Springs
 - 40.07 Camshafts, Tappets, Cam Cover
 - 40.08 Camshaft Drive Chain & Sprockets
 - 40.09 Pistons, Con-Rods, Liners
 - 40.11 Crankshaft, Bearings, Flywheel
 - 40.13 Water Pump Assembly, Thermostat
 - 40.15 Lubrication System
 - 40.17 Ignition System, Spark Plugs, Plug Top Coils
 - 40.19 Alternator & Starter Motor
 - 40.21 Exhaust Manifold
 - 40.23 AC Compressor
-

41.00 Belts and Pulleys

- 41.03 Auxiliary Drive Belts & Pulleys
-

42.00 Induction Systems

- 42.01 Airboxes, Trunking & Air Filters
 - 42.04 Throttle Body, Mechanism & IAC Valve
 - 42.05 Fuel Injection System
 - 42.07 Inlet Manifolds, Plenum & Gaskets
 - 42.09 Supercharger
-

43.00 Vacuum System

- 43.03 Vacuum System, Hoses, Pipes & Fittings
-

44.00 Fuel System

- 44.01 Fuel Tanks, Filler
 - 44.03 Fuel Pump, Filter, Pipes
 - 44.05 Charcoal Canister & Evaporative Loss System
-

45.00 Exhaust

- 45.01 Exhaust System
 - 45.05 Heatshields
-

46.00 Cooling

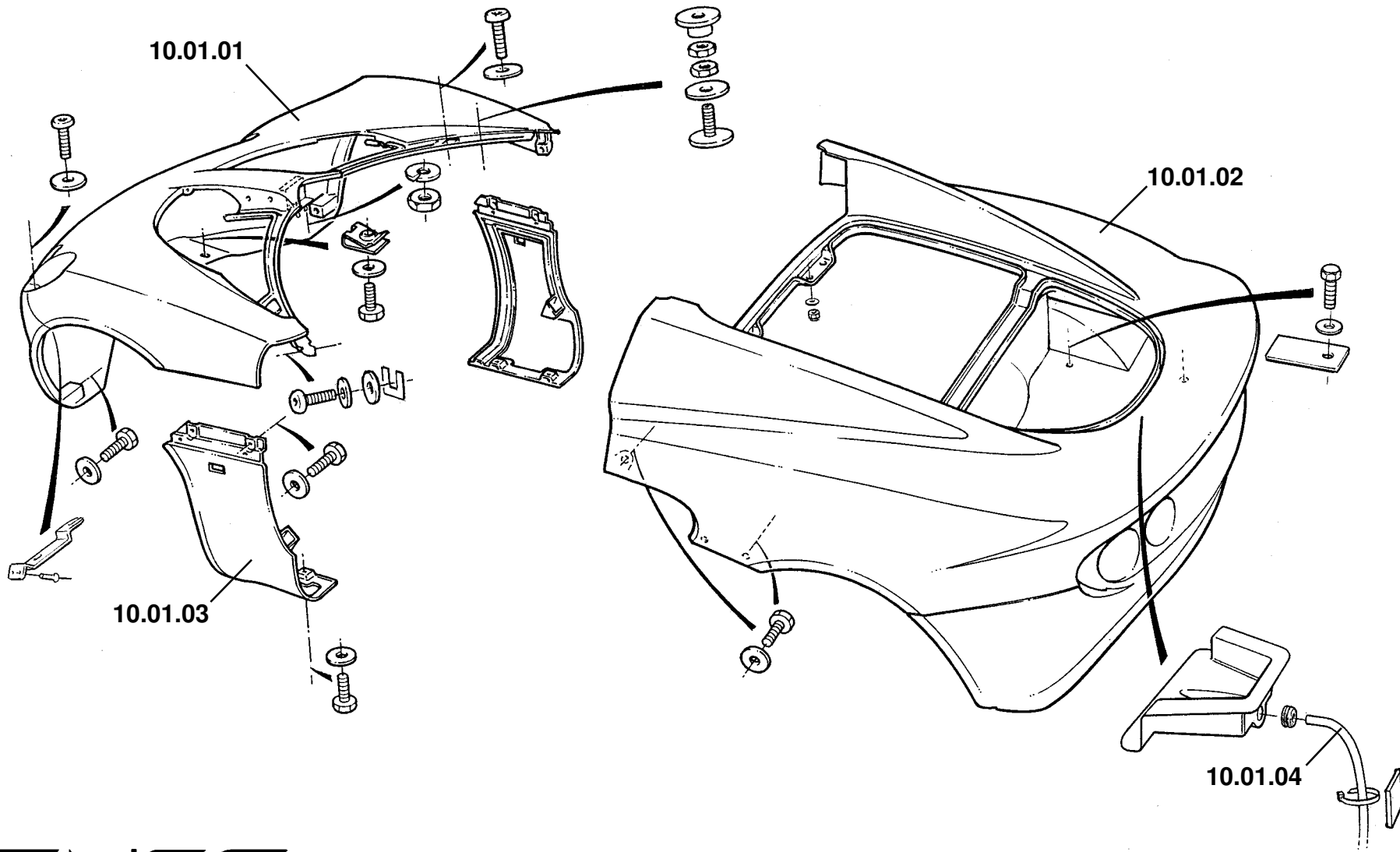
- 46.01 Engine Cooling System & Fan
 - 46.03 Oil Cooler & Pipes
 - 46.07 Single oil cooler system
 - 46.10 Chargecooler & Ducting
 - 46.11 Intercooler, Pipes & Hoses
-

47.00 Transmission

- 47.01 Clutch & Release Mechanism
 - 47.03 Transmission Assembly
 - 47.05 Gearchange Mechanism, External
 - 47.06 Gearchange Mechanism, Internal
 - 47.07 Gears, Shafts & Bearings
 - 47.11 Final Drive & Bearings
 - 47.15 Driveshafts & Seals
-

Function Code List: Page 2 of 2

Updated 25th July 2013



ELISE
10.01

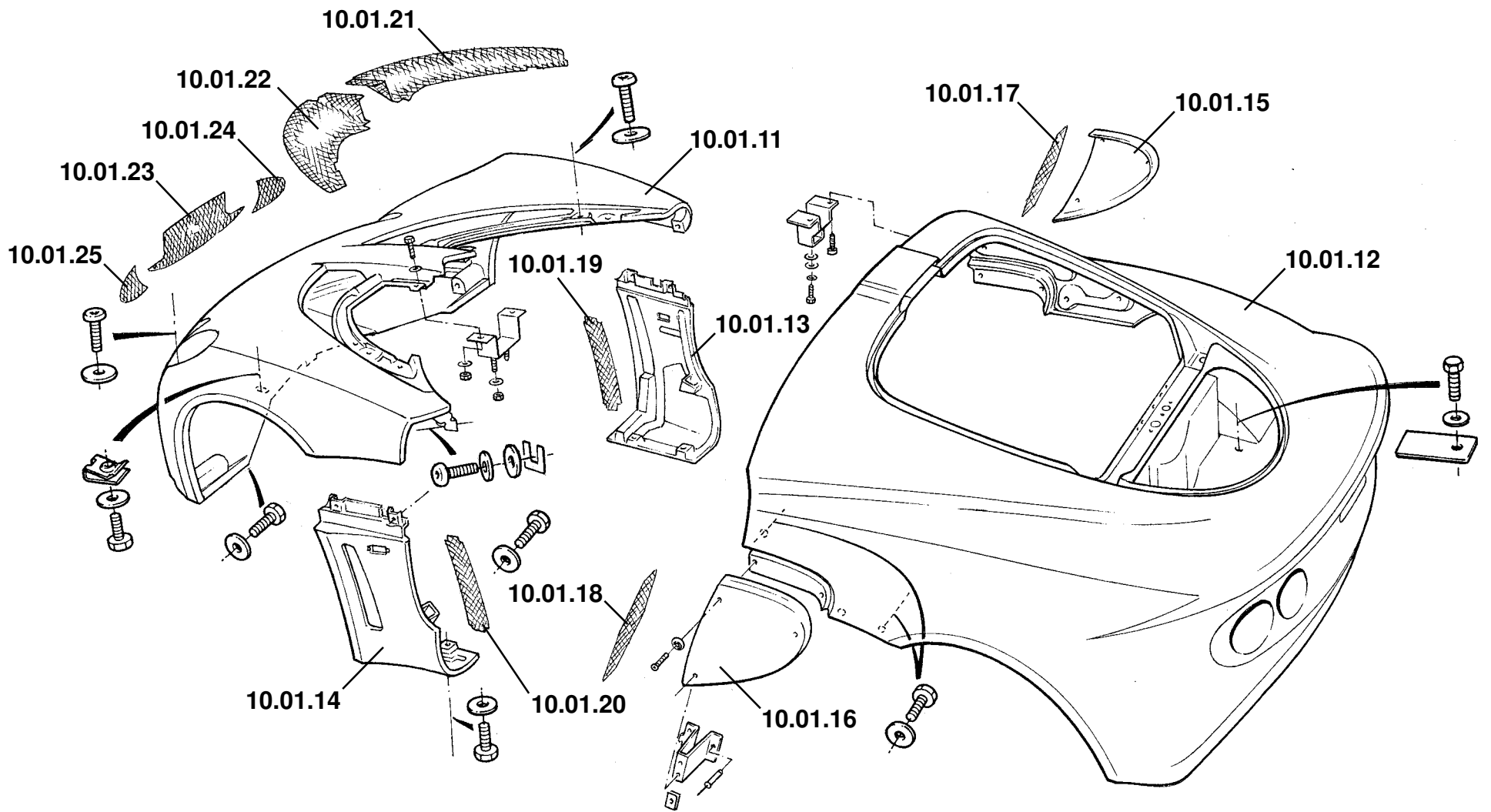


LOTUS ELISE 2004 TMC STANDARD LABOUR TIMES.

Function Area: 10.00 Body

Function Code: 10.01 Body: Front & Rear Clamshells & Fixings

Operation Code	Description	Op Type	Hours	Derivative
10.01.01-01	Front clamshell	r&r	2.0	Elise only
10.01.01-02	Front clamshell (excl. paint)	Renew	3.2	Elise only
10.01.02-01	Rear clamshell	r&r	3.3	Elise only
10.01.02-02	Rear clamshell (excl. paint)	Renew	4.5	Elise only
10.01.03-01	Door hinge cover panel	r&r	0.3	Elise only
10.01.03-02	Door hinge cover panel (excl. paint)	Renew	0.3	Elise only
10.01.04.01	Drain tube	r&r	0.2	Elise only
10.01.04.02	Drain tube	Renew	0.2	Elise only



EXIGE

10.01

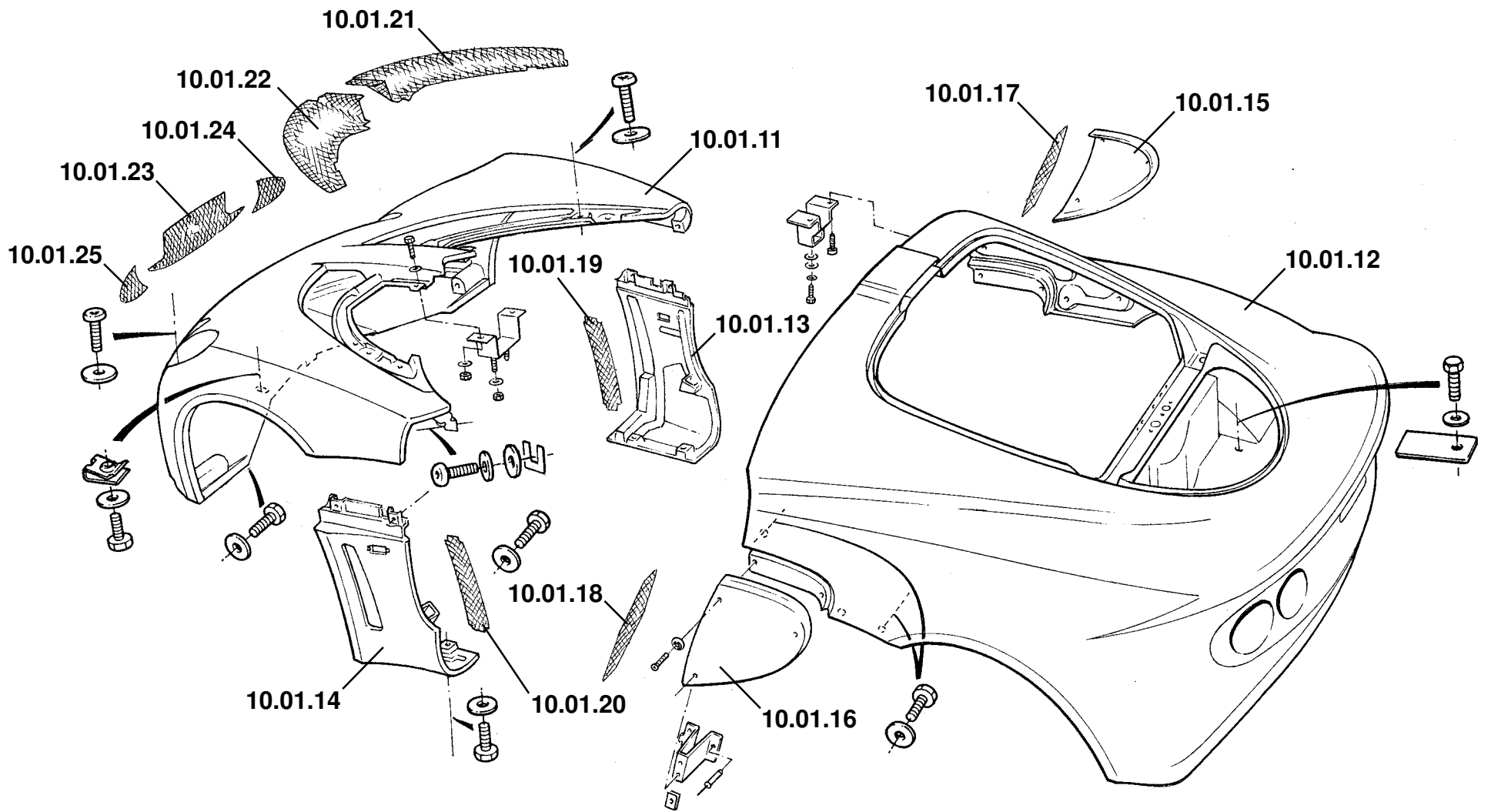


LOTUS EXIGE 2004 STANDARD LABOUR TIMES.

Function Area: 10.00 Body

Function Code: 10.01 Body: Front & Rear Clamshells & Fixings

Operation Code	Description	Op Type	Hours	Derivative
10.01.11-01	Front clamshell	r&r	2.0	Exige only
10.01.11-02	Front clamshell (excl. paint, including ancillary part fitment)	Renew	4.5	Exige only
10.01.12-01	Rear clamshell	r&r	3.3	Exige only
10.01.12-02	Rear clamshell (excl. paint, including ancillary part fitment)	Renew	4.5	Exige only
10.01.13-01	Hinge panel, RH	r&r	0.3	Exige only
10.01.13-02	Hinge panel, RH (excl. paint, including grille fitment)	Renew	1.0	Exige only
10.01.14-01	Hinge panel, LH	r&r	0.3	Exige only
10.01.14-02	Hinge panel, LH (excl. paint, including grille fitment)	Renew	1.0	Exige only
10.01.15-01	Housing side duct, RH	r&r	0.2	Exige only
10.01.15-02	Housing side duct, RH (excl. paint, including grille fitment)	Renew	0.7	Exige only
10.01.16-01	Housing side duct, LH	r&r	0.2	Exige only
10.01.16-02	Housing side duct, LH (excl. paint, including grille fitment)	Renew	0.7	Exige only
10.01.17-01	Housing side duct grille, RH	r&r	0.7	Exige only
10.01.17-02	Housing side duct grille, RH	Renew	0.7	Exige only
10.01.18-01	Housing side duct grille, LH	r&r	0.7	Exige only
10.01.18-02	Housing side duct grille, LH	Renew	0.7	Exige only
10.01.19-01	Door hinge cover panel grille, RH	r&r	1.0	Exige only
10.01.19-02	Door hinge cover panel grille, RH	Renew	1.0	Exige only
10.01.20-01	Door hinge cover panel grille, LH	r&r	1.0	Exige only
10.01.20-02	Door hinge cover panel grille, LH	Renew	1.0	Exige only
10.01.21-01	Upper clamshell grille, RH (add time to r&r front clamshell)	r&r	1.0	Exige only
10.01.21-02	Upper clamshell grille, RH (add time to r&r front clamshell)	Renew	1.0	Exige only
10.01.22-01	Upper clamshell grille, LH (add time to r&r front clamshell)	r&r	1.0	Exige only
10.01.22-02	Upper clamshell grille, LH (add time to r&r front clamshell)	Renew	1.0	Exige only
10.01.23-01	Lower grill clamshell, centre (add time to r&r front clamshell)	r&r	1.0	Exige only



EXIGE

10.01

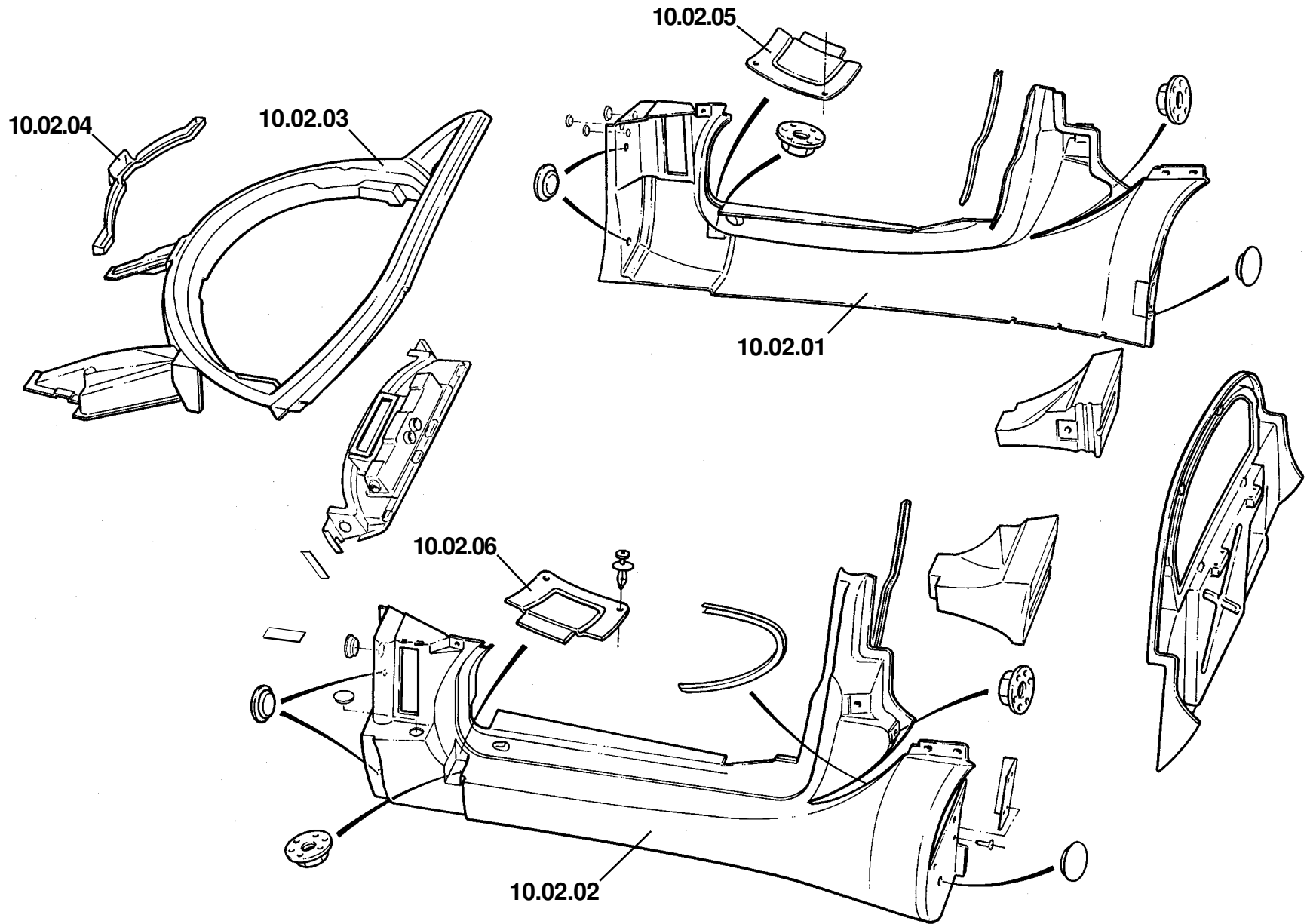


LOTUS EXIGE 2004 STANDARD LABOUR TIMES.

Function Area: 10.00 Body

Function Code: 10.01 Body: Front & Rear Clamshells & Fixings

Operation Code	Description	Op Type	Hours	Derivative
10.01.23-02	Lower grill clamshell, centre (add time to r&r front clamshell)	Renew	1.0	Exige only
10.01.24-01	Lower grill clamshell, RH (add time to r&r front clamshell)	r&r	1.0	Exige only
10.01.24-02	Lower grill clamshell, RH (add time to r&r front clamshell)	Renew	1.0	Exige only
10.01.25-01	Lower grill clamshell, LH (add time to r&r front clamshell)	r&r	1.0	Exige only
10.01.25-02	Lower grill clamshell, LH (add time to r&r front clamshell)	Renew	1.0	Exige only



ELISE
10.02

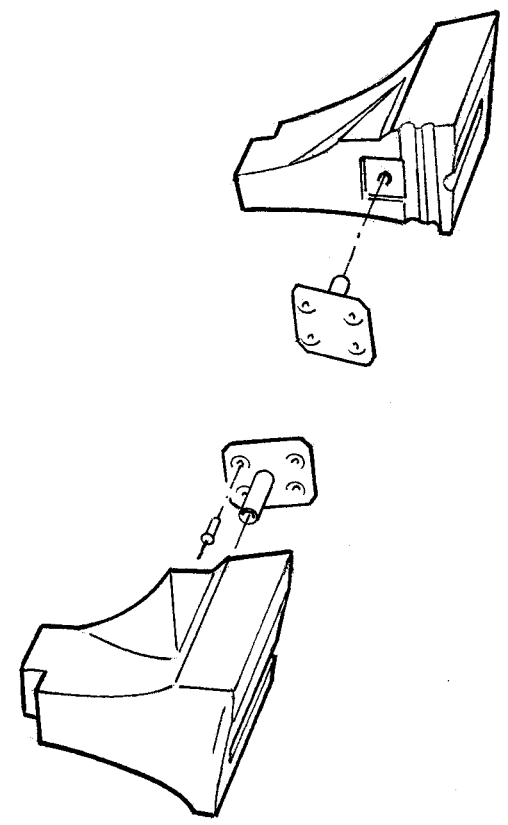
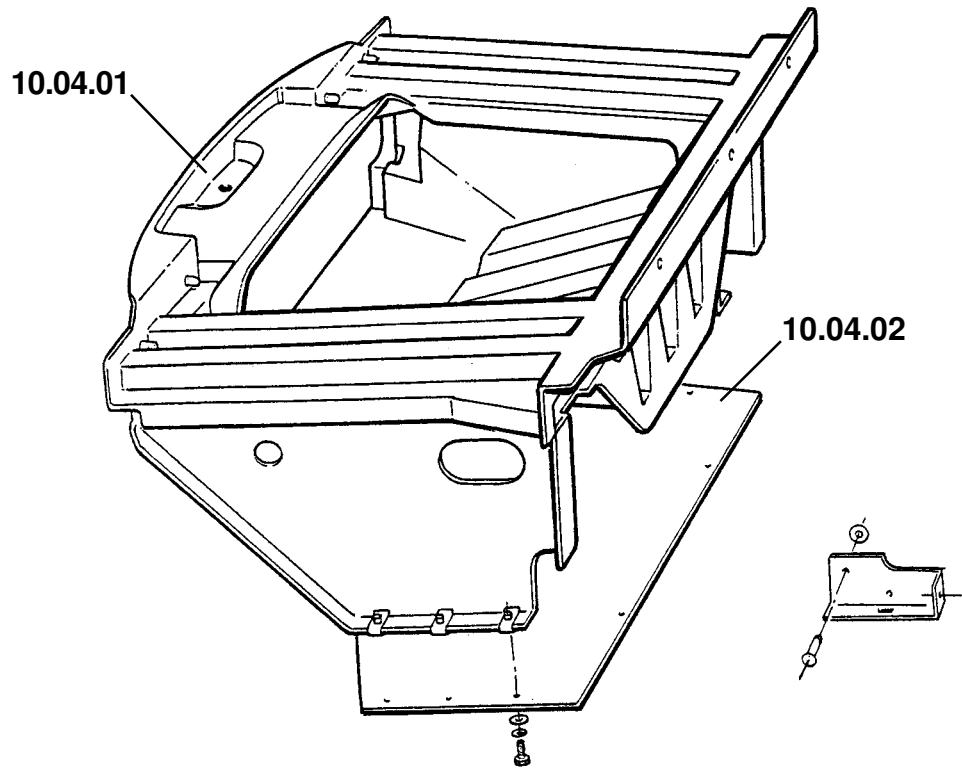


LOTUS ELISE 2004 TMC STANDARD LABOUR TIMES.

Function Area: 10.00 Body

Function Code: 10.02 Body: Bodysides, Windscreen Frame & Rear Bulkhead

Operation Code	Description	Op Type	Hours	Derivative
10.02.01-02	Sill panel, RH (excl. paint)	Renew	9.1	Common
10.02.02-02	Sill panel, LH (excl. paint)	Renew	9.1	Common
10.02.03-02	Windscreen frame (incl. new windscreen)	Renew	10.0	Common
10.02.04-02	Gutter, windscreen surround	Renew	0.5	Common
10.02.05-02	Sill finisher panel, RH	Renew	0.2	Common
10.02.06-02	Sill finisher panel, LH	Renew	0.2	Common



ELISE
10.04

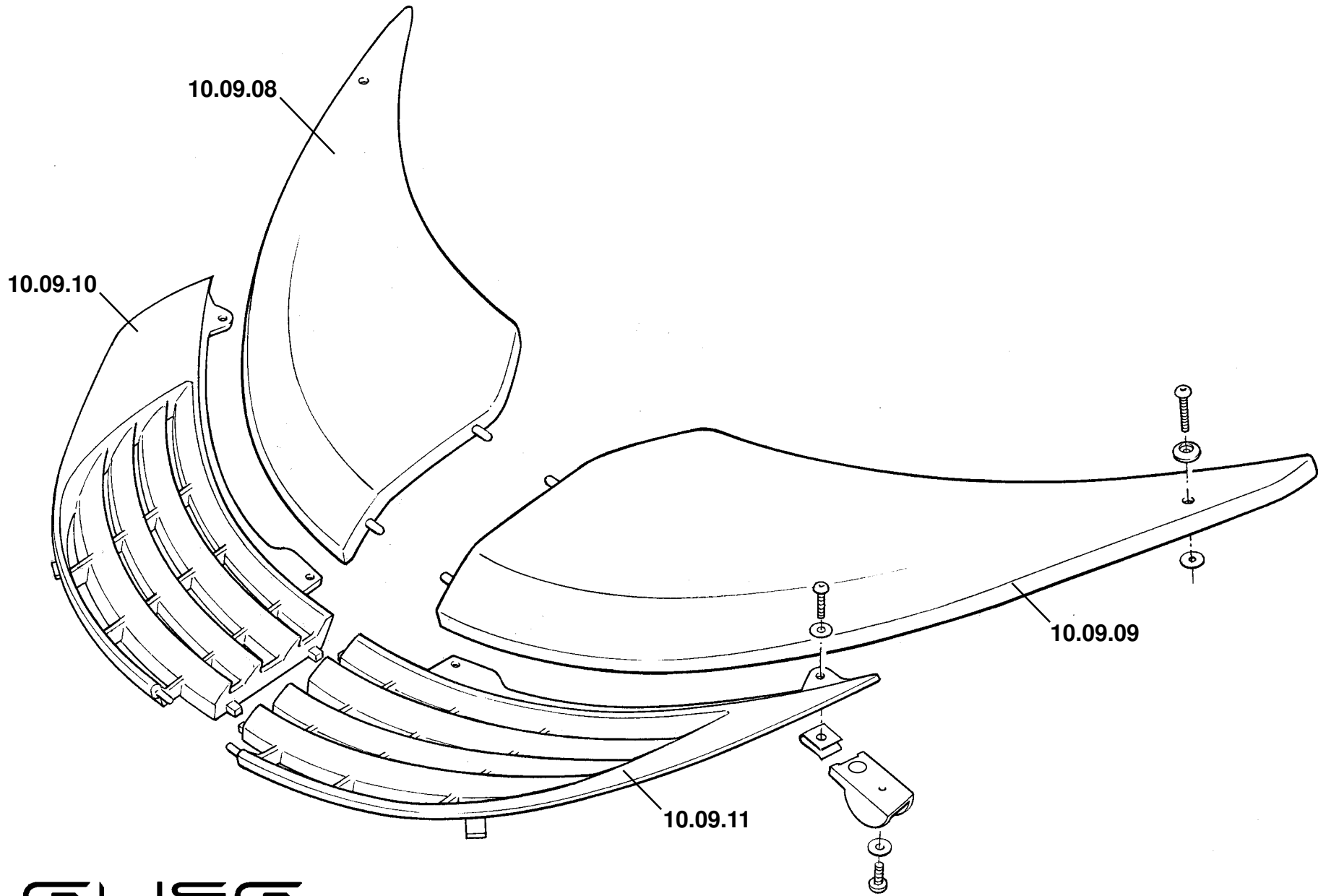


LOTUS ELISE 2004 TMC STANDARD LABOUR TIMES.

Function Area: 10.00 Body

Function Code: 10.04 Crash Structures

Operation Code	Description	Op Type	Hours	Derivative
10.04.01-02	Crash structure (including clam & ancillary componets r&r)	Renew	10.0	Common
10.04.02-01	Front undershield	r&r	0.2	Common
10.04.02-02	Front undershield	Renew	0.2	Common



ELISE
10.09

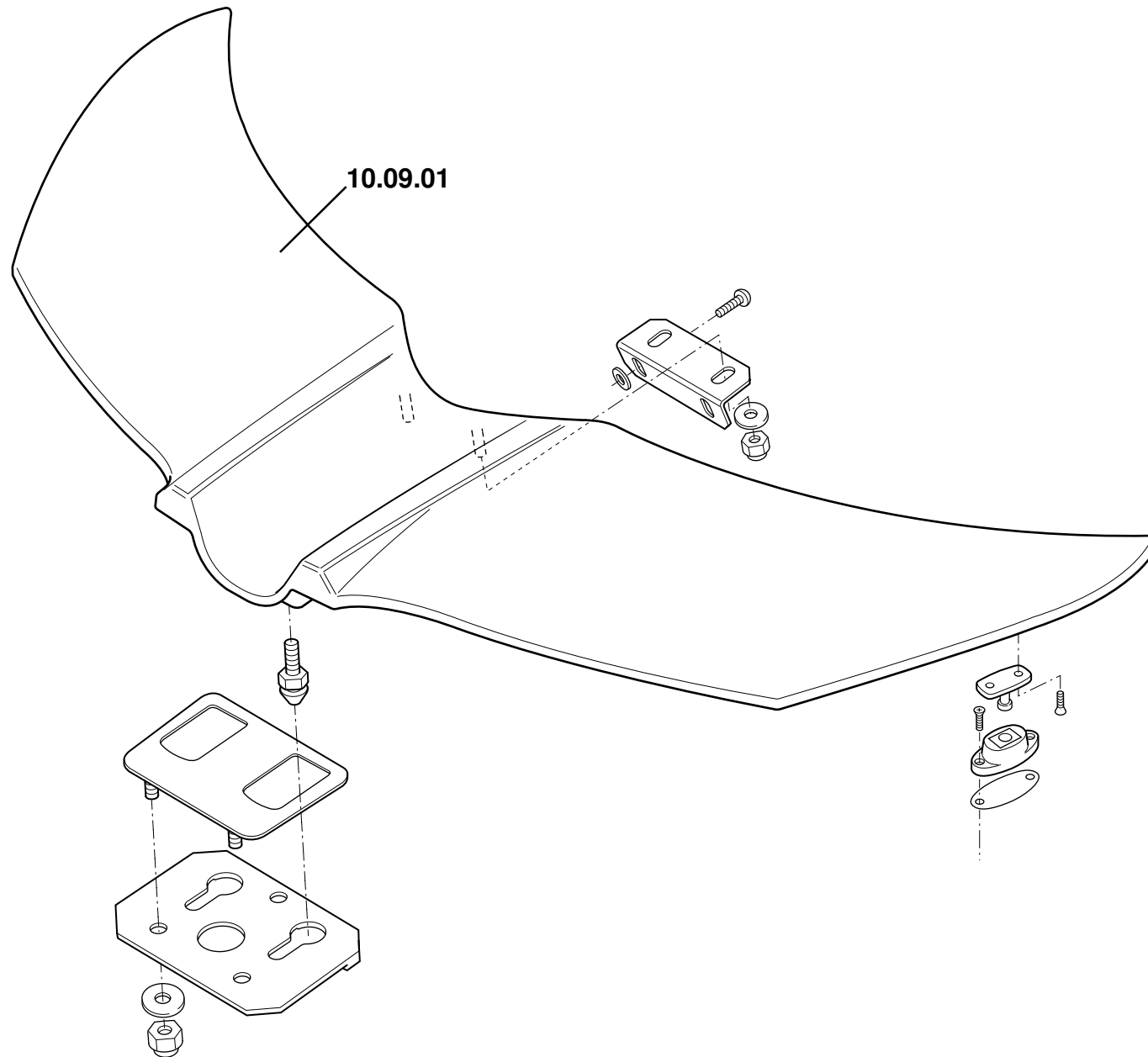


LOTUS ELISE 2004 TMC STANDARD LABOUR TIMES.

Function Area: 10.00 Body

Function Code: 10.09 Front Services Access Panels

Operation Code	Description	Op Type	Hours	Derivative
10.09.08-01	Front access panel, RH	r&r	0.1	Common
10.09.08-02	Front access panel, RH (excl. paint)	Renew	0.2	Common
10.09.09-01	Front access panel, LH	r&r	0.1	Common
10.09.09-02	Front access panel, LH (excl. paint)	Renew	0.2	Common
10.09.10-01	Grille, front access panel, RH	r&r	0.2	Elise only
10.09.10-02	Grille, front access panel, RH	Renew	0.2	Elise only
10.09.11-01	Grille, front access panel, LH	r&r	0.2	Elise only
10.09.11-02	Grille, front access panel, LH	Renew	0.2	Elise only



ELISE

10.09

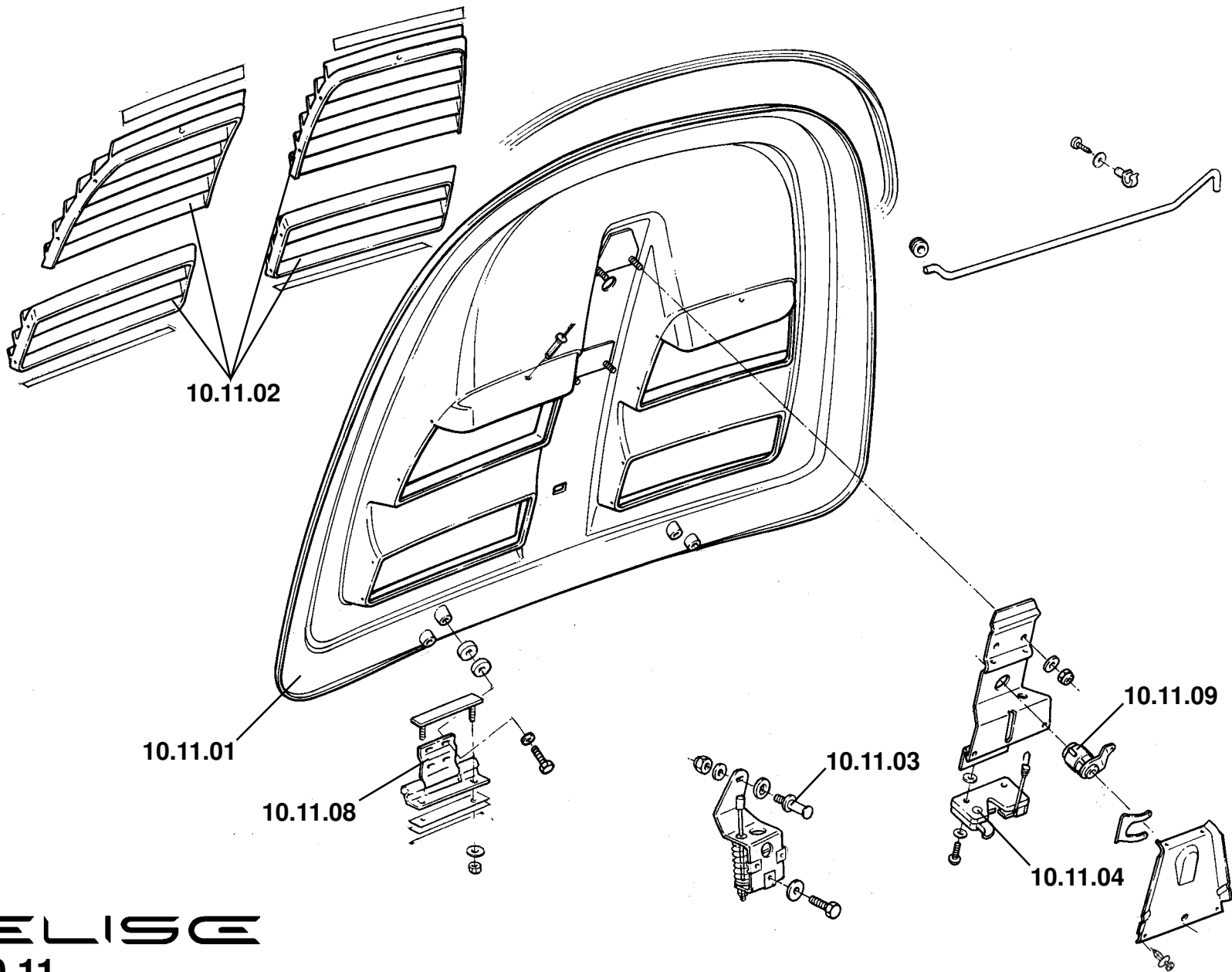


LOTUS ELISE 2011 MY STANDARD LABOUR TIMES.

Function Area: 10.00 Body

Function Code: 10.09 Front Services Access Panels

Operation Code	Description	Op Type	Hours	Derivative
10.09.01-01	Front access panel	r&r	0.1	
10.09.01-02	Front access panel (excl. paint)	Renew	0.2	



ELISE
10.11

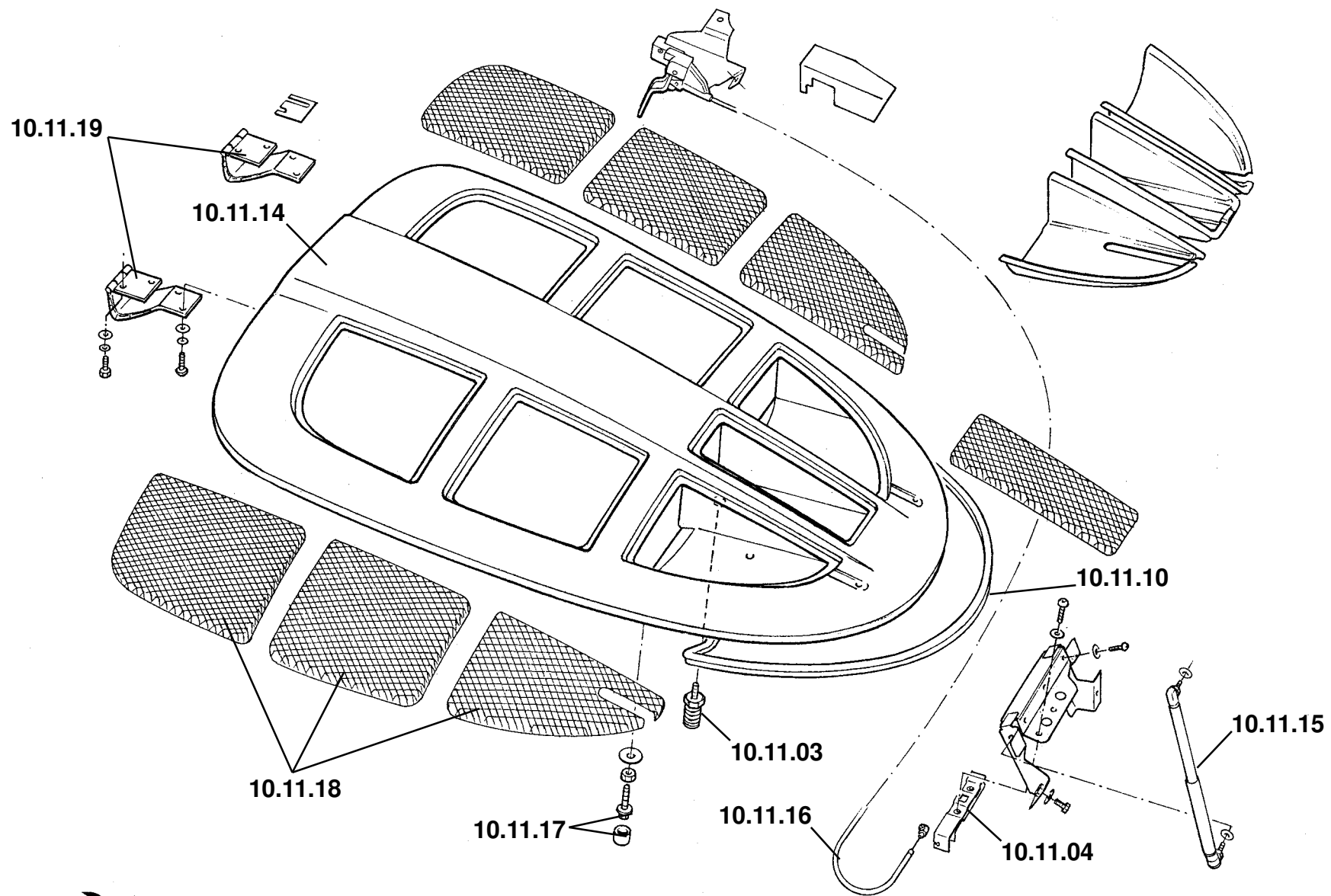


LOTUS ELISE 2004 TMC STANDARD LABOUR TIMES.

Function Area: 10.00 Body

Function Code: 10.11 Tailgate & Release Mechanism

Operation Code	Description	Op Type	Hours	Derivative
10.11.01-01	Engine cover lid	r&r	0.5	Elise only
10.11.01-02	Engine cover lid (excl. paint)	Renew	1.0	Elise only
10.11.02-02	Outlet grille, engine cover (each)	Renew	0.2	Elise only
10.11.03-01	Striker pin	r&r	0.2	Elise only
10.11.03-02	Striker pin	Renew	0.2	Elise only
10.11.04-01	Latch mechanism	r&r	0.2	Elise only
10.11.04-02	Latch mechanism	Renew	0.3	Elise only
10.11.08-01	Hinge assembly	r&r	0.2	Elise only
10.11.08-02	Hinge assembly	Renew	0.3	Elise only
10.11.09-01	Lock barrel	r&r	0.2	Elise only
10.11.09-02	Lock barrel	Renew	0.2	Elise only



EXIGE

10.11



LOTUS EXIGE 2004 STANDARD LABOUR TIMES.

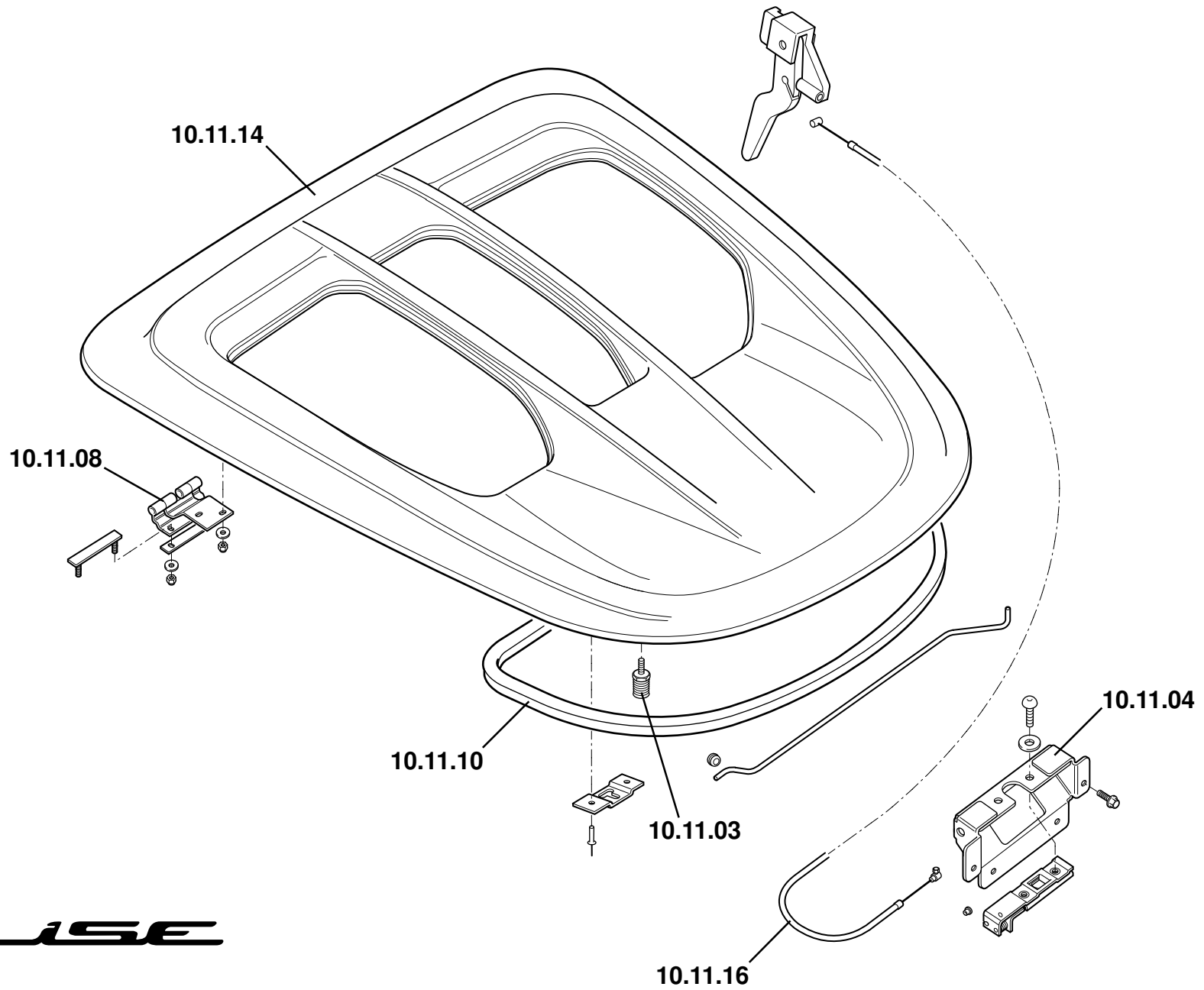
Function Area: 10.00 Body

Function Code: 10.11 Tailgate & Release Mechanism

Operation Code	Description	Op Type	Hours	Derivative
10.11.03-01	Striker	r&r	0.2	Exige only
10.11.03-02	Striker	Renew	0.2	Exige only
10.11.04-01	Latch mechanism	r&r	0.2	Exige only
10.11.04-02	Latch mechanism	Renew	0.3	Exige only
10.11.10-01	Weatherseal	r&r	0.1	Exige only
10.11.10-02	Weatherseal	Renew	0.2	Exige only
10.11.14-01	Tailgate	r&r	0.5	Exige only
10.11.14-02	Tailgate (excl. paint, including grille replacement)	Renew	2.0	Exige only
10.11.15-01	Tailgate strut	r&r	0.1	Exige only
10.11.15-02	Tailgate strut	Renew	0.1	Exige only
10.11.16-01	Release cable, tailgate	r&r	0.8	Exige only
10.11.16-02	Release cable, tailgate	Renew	0.8	Exige only
10.11.17-00	Tailgate bump stops	Adjust	0.1	Exige only
10.11.17-02	Tailgate bump stops	Renew	0.1	Exige only
10.11.18-01	Engine cover lid grille (any)	r&r	0.5	Exige only
10.11.18-02	Engine cover lid grille (any)	Renew	0.5	Exige only
10.11.19-01	Engine cover lid hinge (each)	r&r	0.2	Exige only
10.11.19-02	Engine cover lid hinge (each)	Renew	0.3	Exige only

Function Code: 10.11, Page: 1

Updated 24/09/2010



ELISE

10.11

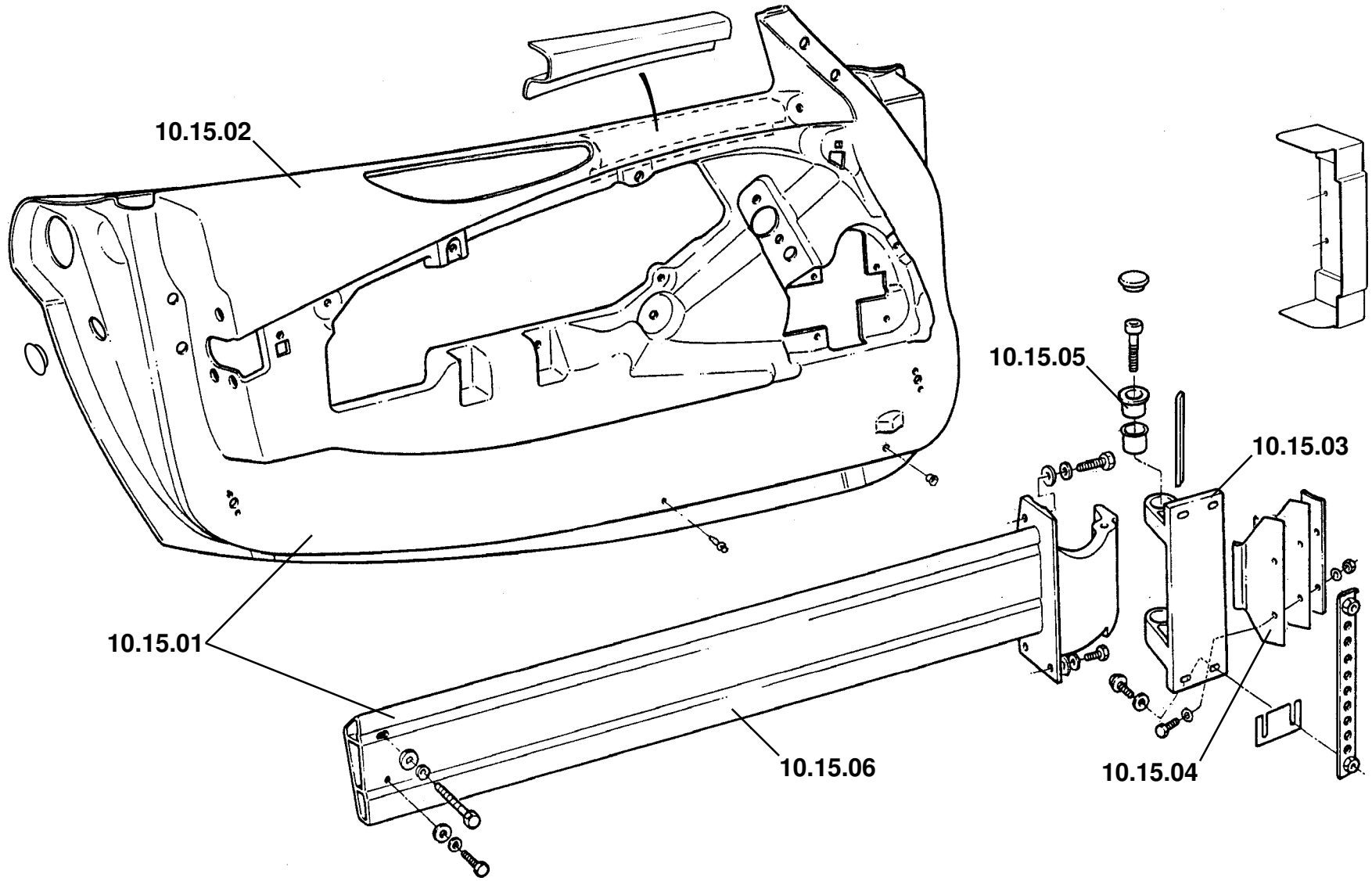


LOTUS ELISE 2011 MY STANDARD LABOUR TIMES.

Function Area: 10.00 Body

Function Code: 10.11 Tailgate & Release Mechanism

Operation Code	Description	Op Type	Hours	Derivative
10.11.03-00	Striker	Adjust	0.2	
10.11.03-02	Striker	Renew	0.2	
10.11.04-01	Latch mechanism	r&r	0.2	
10.11.04-02	Latch mechanism	Renew	0.3	
10.11.08-01	Hinge assembly (one)	r&r	0.2	
10.11.08-02	Hinge assembly (one)	Renew	0.3	
10.11.10-01	Weatherseal	r&r	0.1	
10.11.10-02	Weatherseal	Renew	0.2	
10.11.14-01	Engine cover lid	r&r	0.5	
10.11.14-02	Engine cover lid (excl. paint, incl. grille replacement)	Renew	1.5	
10.11.16-01	Release cable	r&r	0.8	
10.11.16-02	Release cable	Renew	0.8	



ELISE
10.15

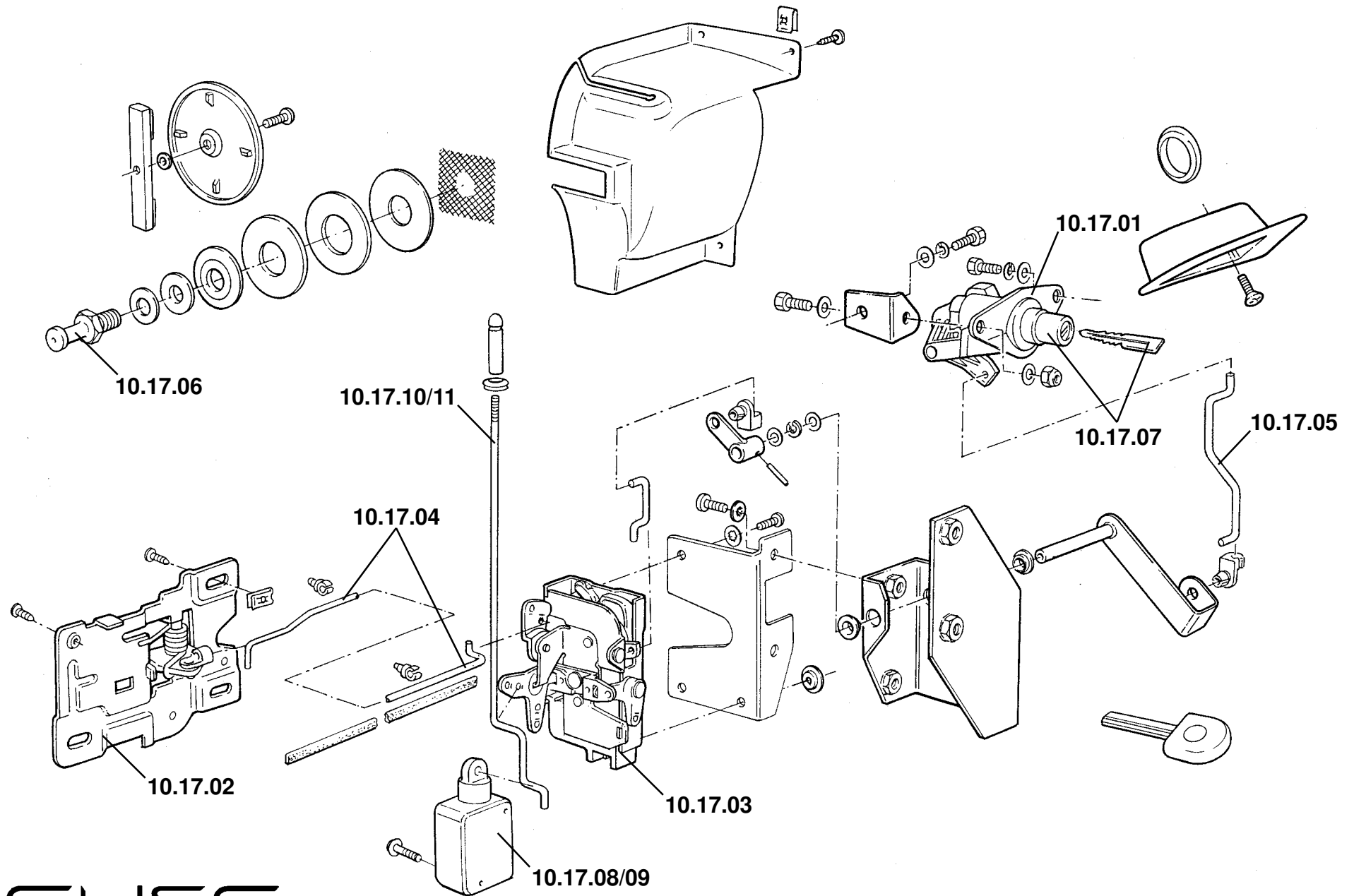


LOTUS ELISE 2004 TMC STANDARD LABOUR TIMES.

Function Area: 10.00 Body

Function Code: 10.15 Door Shells, Beams, Hinges

Operation Code	Description	Op Type	Hours	Derivative
10.15.01-01	Door complete	r&r	0.7	Common
10.15.02-02	Door shell (excl. paint)	Renew	2.5	Common
10.15.03-00	Door hinge	Adjust	0.3	Common
10.15.03-01	Door hinge	r&r	0.7	Common
10.15.03-02	Door hinge	Renew	0.9	Common
10.15.04-02	Spring plate, door check	Renew	0.8	Common
10.15.05-02	Door hinge bushes	Renew	0.6	Common
10.15.06-01	Door beam	r&r	1.4	Common
10.15.06-02	Door beam	Renew	1.5	Common



ELISE
10.17

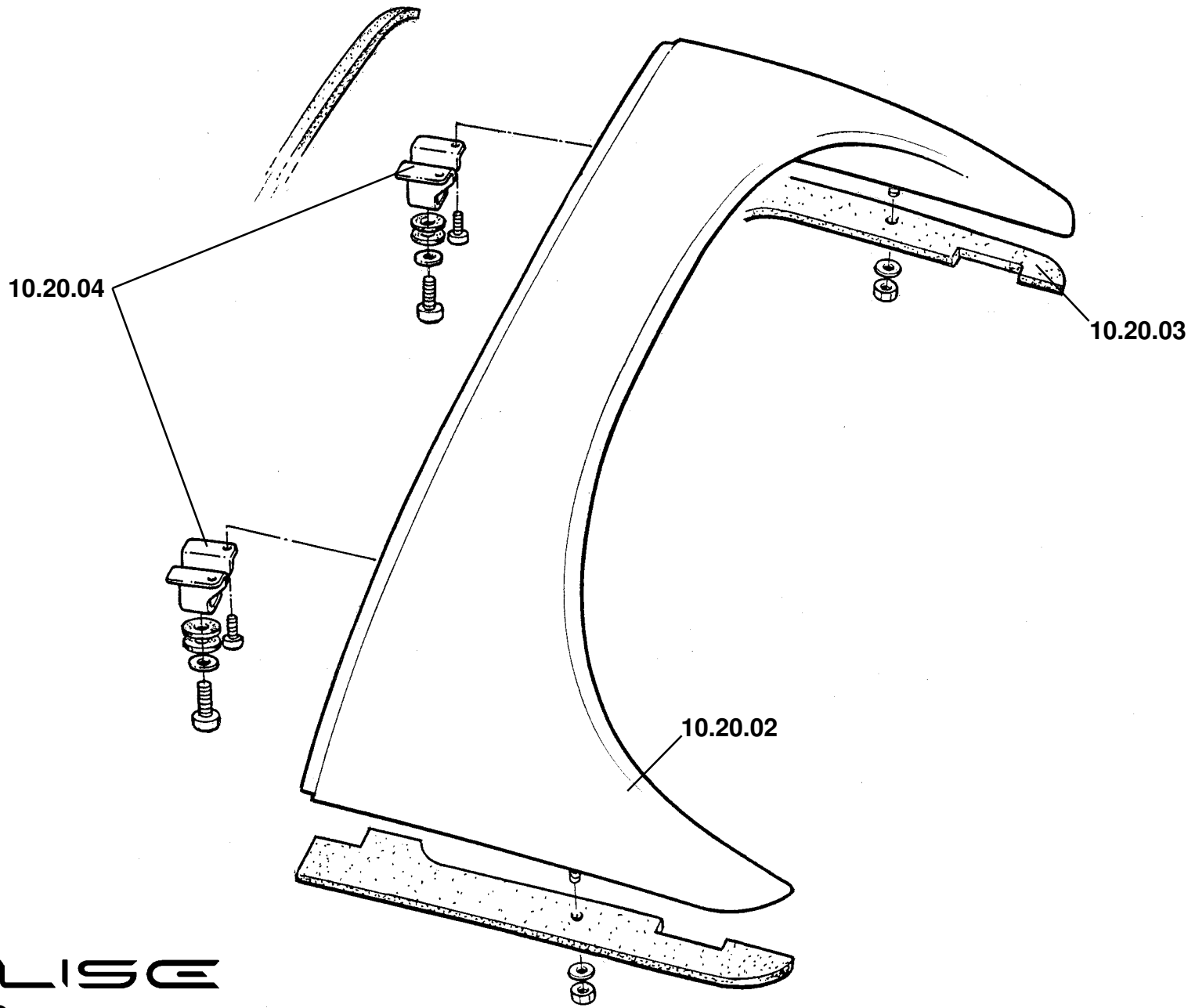


LOTUS ELISE 2004 TMC STANDARD LABOUR TIMES.

Function Area: 10.00 Body

Function Code: 10.17 Door Latch Mechanism

Operation Code	Description	Op Type	Hours	Derivative
10.17.01-01	Door lock button	r&r	0.4	Common
10.17.01-02	Door lock button	Renew	0.4	Common
10.17.02-01	Interior release handle	r&r	0.3	Common
10.17.02-02	Interior release handle	Renew	0.3	Common
10.17.03-01	Door latch mechanism	r&r	0.7	Common
10.17.03-02	Door latch mechanism	Renew	0.7	Common
10.17.04-01	Link rod, door latch release	r&r	0.4	Common
10.17.04-02	Link rod, door latch release	Renew	0.4	Common
10.17.05-01	Link rod, latch to release button	r&r	0.4	Common
10.17.05-02	Link rod, latch to release button	Renew	0.4	Common
10.17.06-01	Striker pin	r&r	0.5	Common
10.17.06-02	Striker pin	Renew	0.5	Common
10.17.07-02	Lock set, doors x 2 plus steering lock, engine cover & fuel cap	Renew	2.0	Common
10.17.08-01	Actuator, CDL, RH	r&r	0.5	Common
10.17.08-02	Actuator, CDL, RH	Renew	0.5	Common
10.17.09-01	Actuator, CDL, LH	r&r	0.5	Common
10.17.09-02	Actuator, CDL, LH	Renew	0.5	Common
10.17.10-01	Door lock rod, RH (CDL only)	r&r	0.7	Common
10.17.10-02	Door lock rod, RH (CDL only)	Renew	0.7	Common
10.17.11-01	Door lock rod, LH (CDL only)	r&r	0.7	Common
10.17.11-02	Door lock rod, LH (CDL only)	Renew	0.7	Common



ELISE
10.20

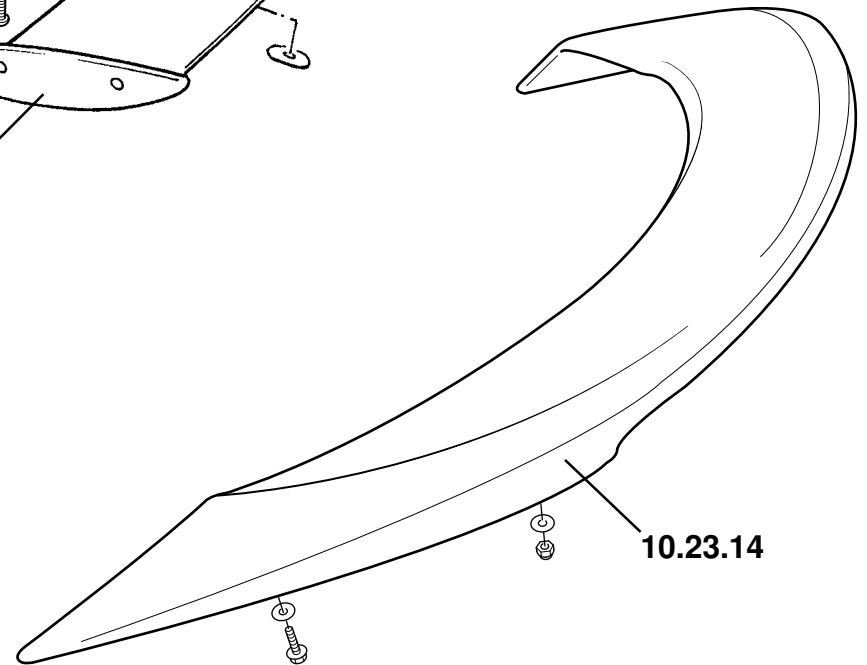
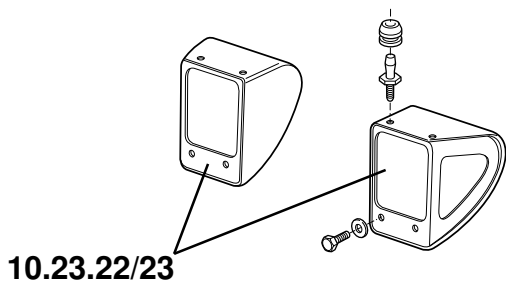
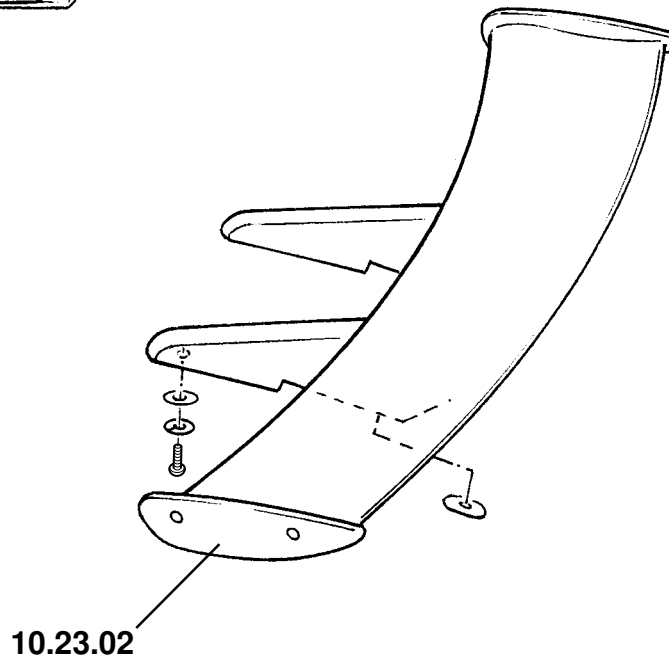
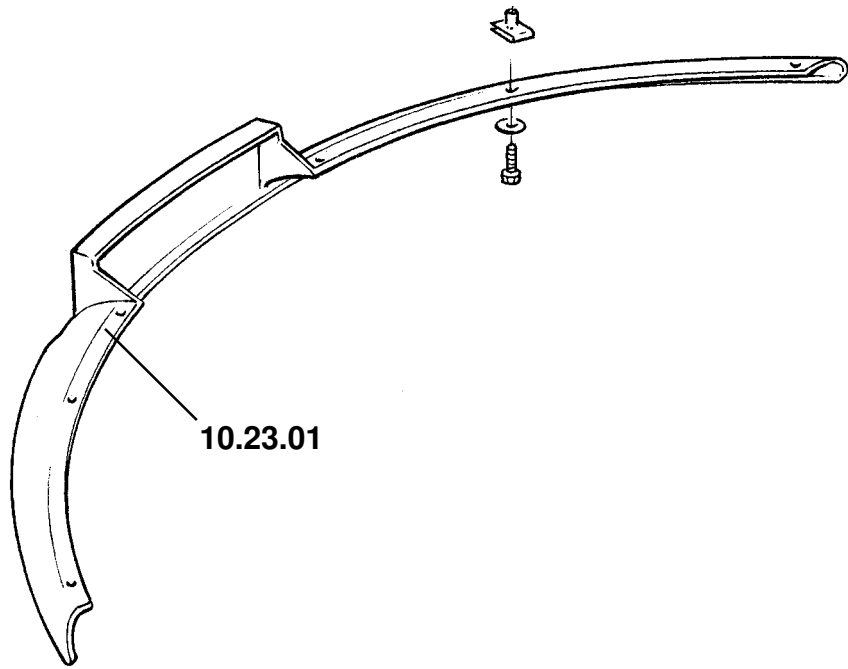


LOTUS ELISE 2004 TMC STANDARD LABOUR TIMES.

Function Area: 10.00 Body

Function Code: 10.20 Rear Window Shroud & Fixings

Operation Code	Description	Op Type	Hours	Derivative
10.20.02-01	Rear window shroud assembly	r&r	0.3	Elise only
10.20.02-02	Rear window shroud assembly (excl. paint)	Renew	0.5	Elise only
10.20.03-02	Foam gasket, shroud to clamshell one or both	r&r	0.4	Elise only
10.20.04-01	Bracket, shroud to bulkhead one or both	r&r	0.4	Elise only
10.20.04-02	Bracket, shroud to bulkhead one or both	Renew	0.4	Elise only



ELISE
10.23

Updated 6th June 2012

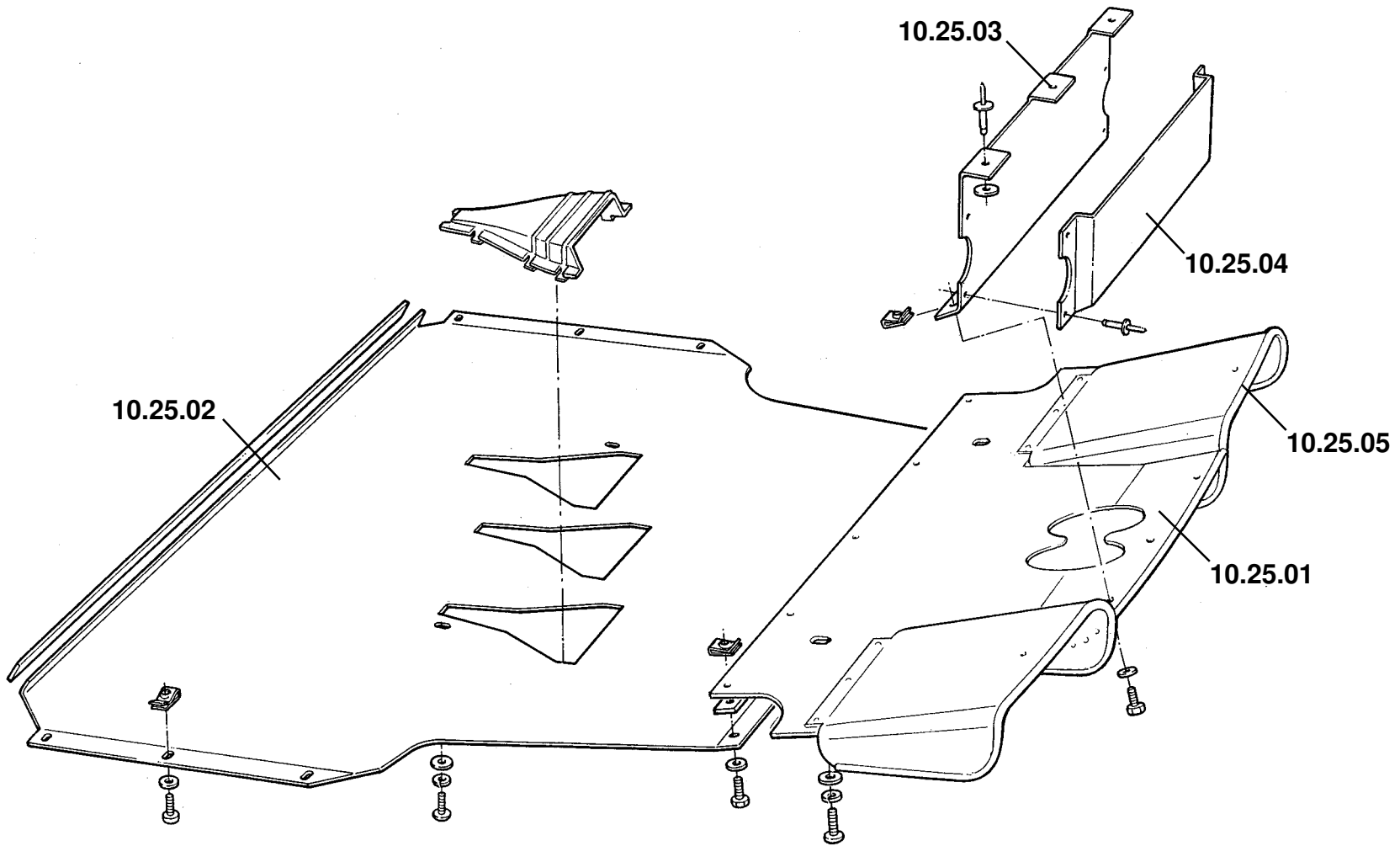


LOTUS ELISE 2004 TMC STANDARD LABOUR TIMES.

Function Area: 10.00 Body

Function Code: 10.23 Bumpers, Valences Spoilers & Aerofoils

Operation Code	Description	Op Type	Hours	Derivative
10.23.01-01	Front splitter panel	r&r	0.7	Exige only
10.23.01-02	Front splitter panel (excl. paint)	Renew	0.7	Exige only
10.23.02-01	Rear areofoil	r&r	0.4	Exige only
10.23.02-02	Rear areofoil (excl. paint)	Renew	0.4	Exige only
10.23.14-01	Rear spoiler	r&r	0.4	Elise only
10.23.14-02	Rear spoiler (excl. paint)	Renew	0.4	Elise only
10.23.22-02	Bumper overrider (one)	Renew	1.2	USA/Canada
10.23.23-02	Bumper overrider (both)	Renew	2.0	USA/Canada



ELISE
10.25

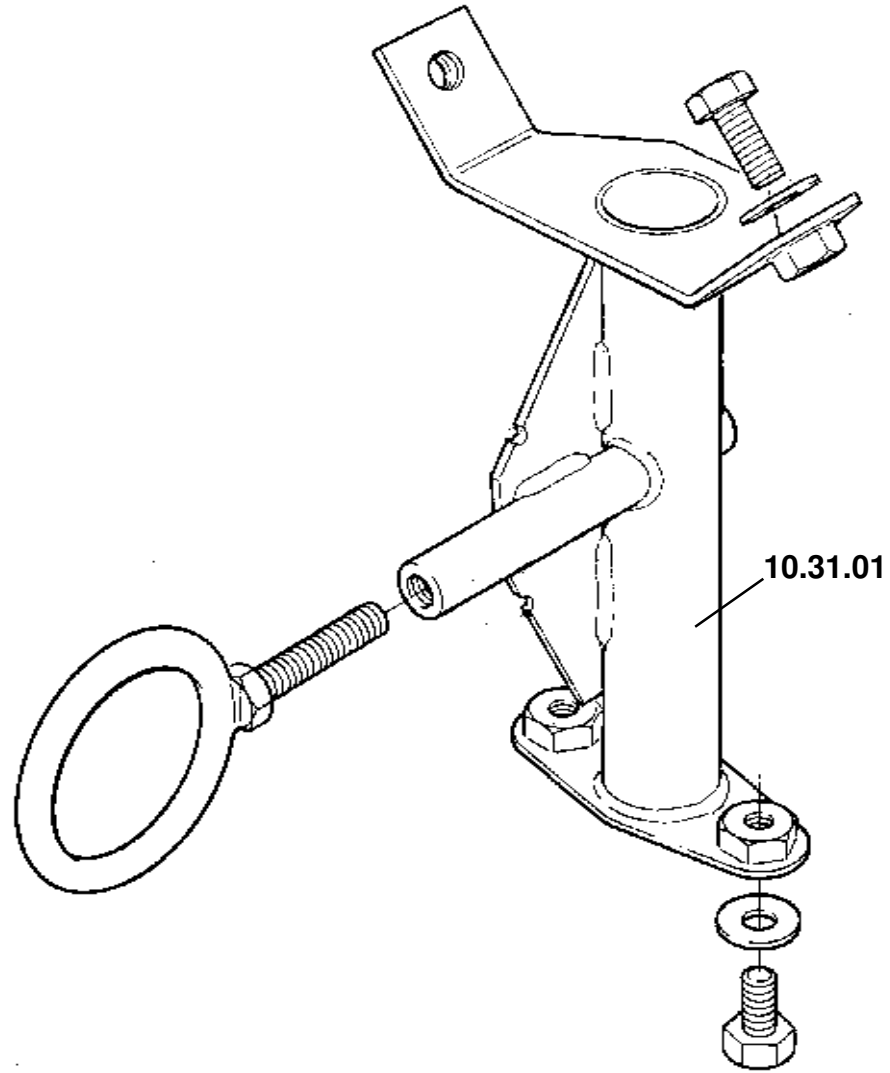


LOTUS ELISE 2004 TMC STANDARD LABOUR TIMES.

Function Area: 10.00 Body

Function Code: 10.25 Undertray & Diffuser

Operation Code	Description	Op Type	Hours	Derivative
10.25.01-01	Diffuser	r&r	0.3	Common
10.25.01-02	Diffuser	Renew	0.3	Common
10.25.02-01	Undertray	r&r	0.2	Common
10.25.02-02	Undertray	Renew	0.3	Common
10.25.03-01	Support plate, diffuser	r&r	0.4	Common
10.25.03-02	Support plate, diffuser	Renew	0.4	Common
10.25.04-01	Panel, License plate mounting	r&r	0.2	Common
10.25.04-02	Panel, License plate mounting	Renew	0.2	Common
10.25.05-01	Diffuser trim	r&r	0.2	Common
10.25.05-02	Diffuser trim	Renew	0.2	Common



ELISE
10.31

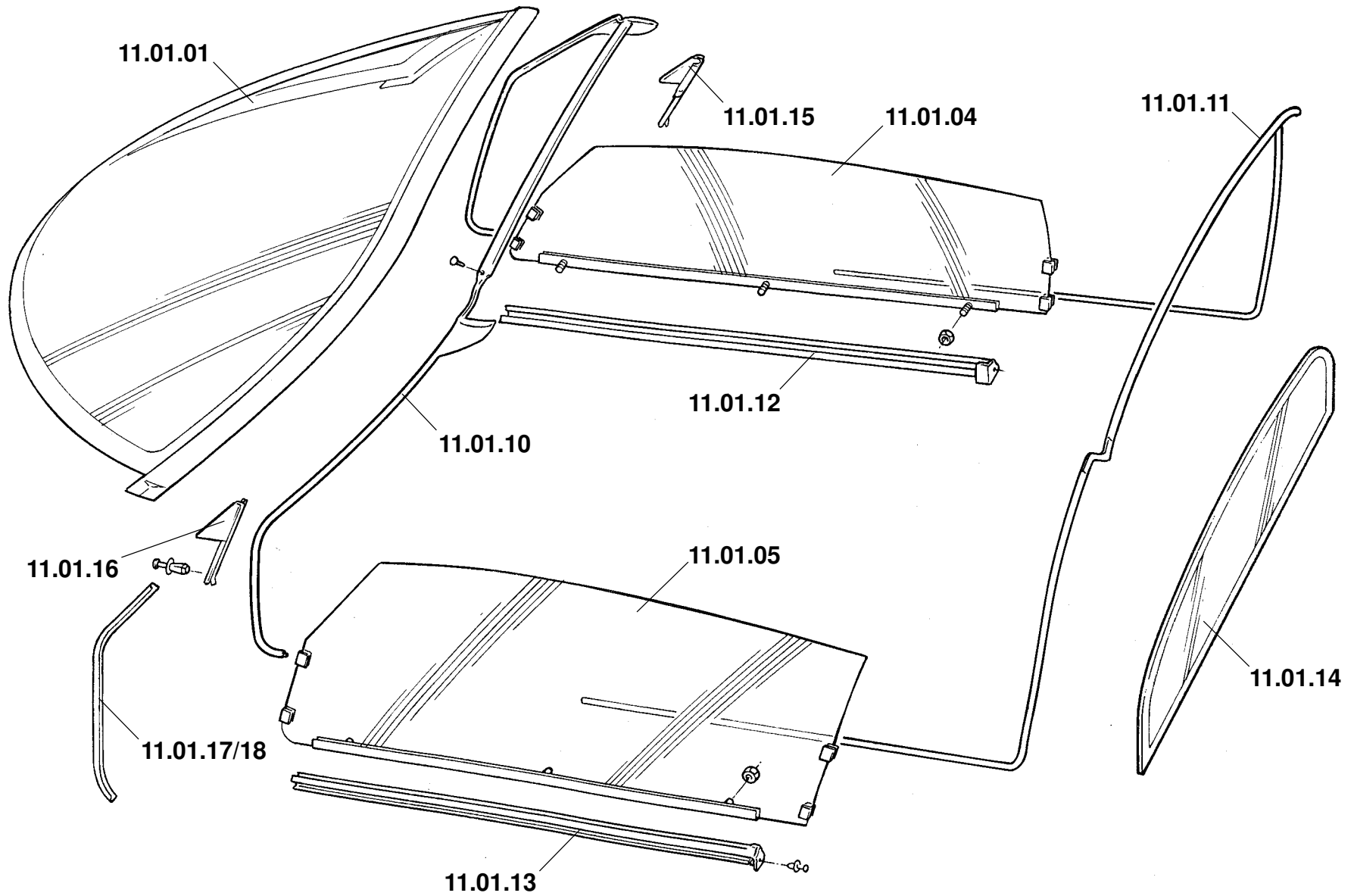


LOTUS ELISE 2004 TMC STANDARD LABOUR TIMES.

Function Area: 10.00 Body

Function Code: 10.31 Towing Strut/ Hook

Operation Code	Description	Op Type	Hours	Derivative
10.31.01-01	Towing strut	r&r	1.1	Common
10.31.01-02	Towing strut	Renew	1.1	Common



ELISE
11.01



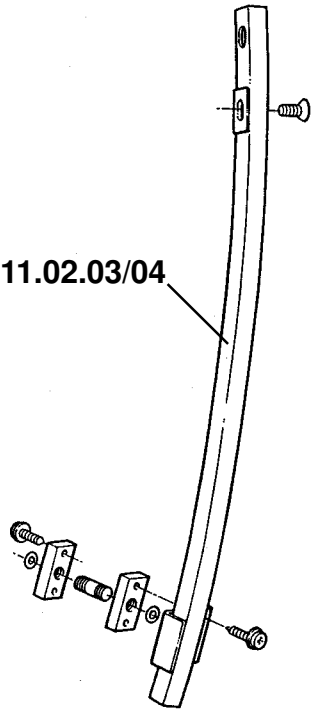
LOTUS ELISE 2004 TMC STANDARD LABOUR TIMES.

Function Area: 11.00 Glazing and Seals

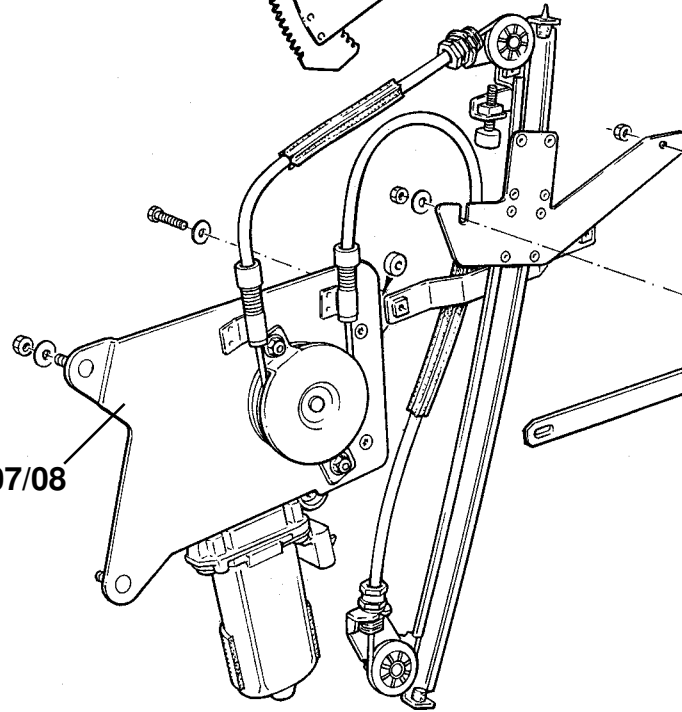
Function Code: 11.01 Windscreen, Door Glass, Seals & Weather Strips

Operation Code	Description	Op Type	Hours	Derivative
11.01.01-02	Windscreen & finisher	Renew	2.5	Common
11.01.04-00	Door window, RH	Adjust	0.5	Common
11.01.04-01	Door window, RH	r&r	1.0	Common
11.01.04-02	Door window, RH	Renew	1.0	Common
11.01.05-00	Door window, LH	Adjust	0.5	Common
11.01.05-01	Door window, LH	r&r	1.0	Common
11.01.05-02	Door window, LH	Renew	1.0	Common
11.01.10-02	Front door/roof seal assy.	Renew	0.8	Common
11.01.11-02	Rear door/roof seal assy.	Renew	0.9	Common
11.01.12-01	Waist seal, door glass, RH	r&r	0.3	Common
11.01.12-02	Waist seal, door glass, RH	Renew	0.5	Common
11.01.13-01	Waist seal, door glass, LH	r&r	0.3	Common
11.01.13-02	Waist seal, door glass, LH	Renew	0.5	Common
11.01.14-02	Rear window glass (includes rear clam r&r & bulkhead panel r&r)	Renew	6.0	Common
11.01.15-01	Door cheater seal, RH	r&r	0.3	Common
11.01.15-02	Door cheater seal, RH	Renew	0.3	Common
11.01.16-01	Door cheater seal, LH	r&r	0.3	Common
11.01.16-02	Door cheater seal, LH	Renew	0.3	Common
11.01.17-01	Secondary door seal, RH	r&r	0.2	Common
11.01.17-02	Secondary door seal, RH	Renew	0.2	Common
11.01.18-01	Secondary door seal, LH	r&r	0.2	Common
11.01.18-02	Secondary door seal, LH	Renew	0.2	Common

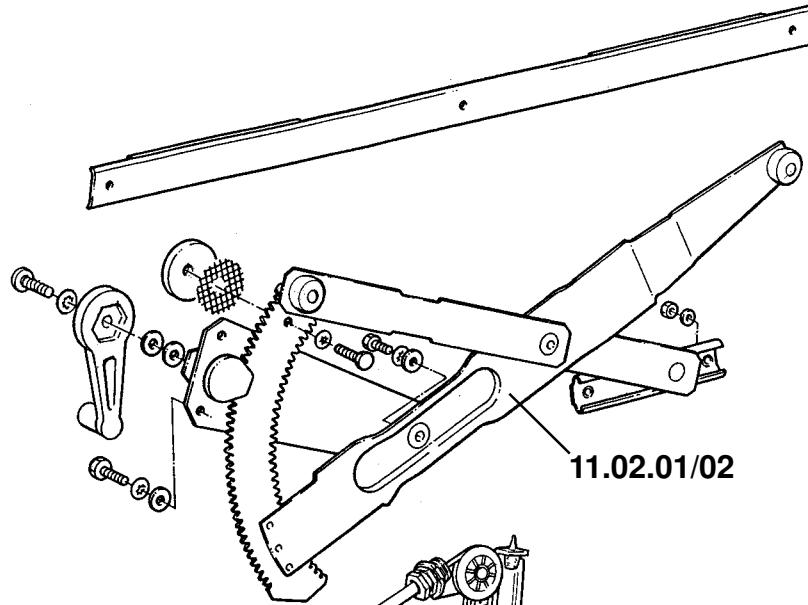
11.02.03/04



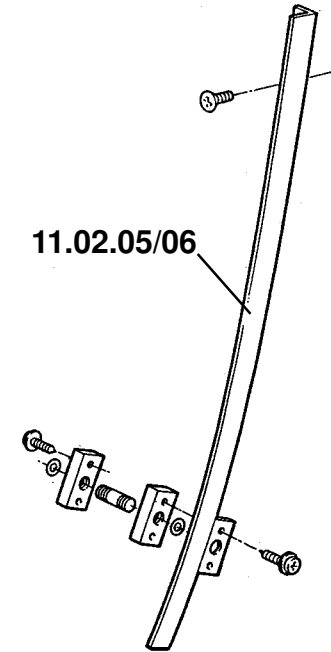
11.02.07/08



11.02.01/02



11.02.05/06



ELISE

11.02

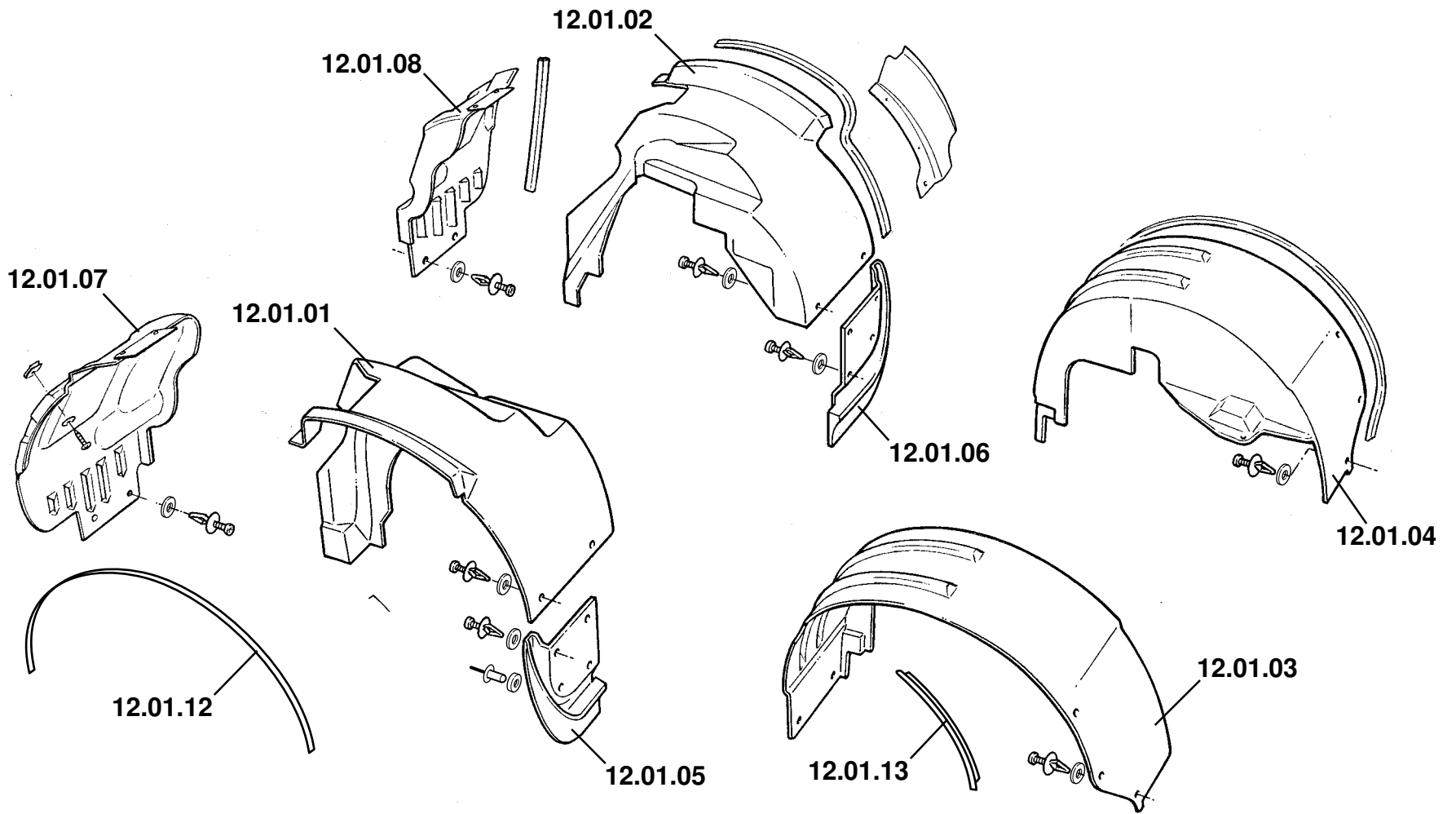


LOTUS ELISE 2004 TMC STANDARD LABOUR TIMES.

Function Area: 11.00 Glazing and Seals

Function Code: 11.02 Door Window Lift Mechanism

Operation Code	Description	Op Type	Hours	Derivative
11.02.01-00	Regulator assembly, window lift, LH	Adjust	0.2	Common
11.02.01-01	Regulator assembly, window lift, LH	r&r	0.5	Common
11.02.01-02	Regulator assembly, window lift, LH	Renew	0.5	Common
11.02.02-00	Regulator assembly, window lift, RH	Adjust	0.2	Common
11.02.02-01	Regulator assembly, window lift, RH	r&r	0.5	Common
11.02.02-02	Regulator assembly, window lift, RH	Renew	0.5	Common
11.02.03-00	Window guide rail, front, LH	Adjust	0.3	Common
11.02.03-01	Window guide rail, front, LH	r&r	1.0	Common
11.02.03-02	Window guide rail, front, LH	Renew	1.0	Common
11.02.04-00	Window guide rail, front, RH	Adjust	0.3	Common
11.02.04-01	Window guide rail, front, RH	r&r	1.0	Common
11.02.04-02	Window guide rail, front, RH	Renew	1.0	Common
11.02.05-00	Window guide rail, rear, LH	Adjust	0.2	Common
11.02.05-01	Window guide rail, rear, LH	r&r	1.0	Common
11.02.05-02	Window guide rail, rear, LH	Renew	1.0	Common
11.02.06-00	Window guide rail, rear, RH	Adjust	0.2	Common
11.02.06-01	Window guide rail, rear, RH	r&r	1.0	Common
11.02.06-02	Window guide rail, rear, RH	Renew	1.0	Common
11.02.07-01	Electric window lift mechanism, LH	r&r	1.0	Common
11.02.07-02	Electric window lift mechanism, LH	Renew	1.0	Common
11.02.08-01	Electric window lift mechanism, RH	r&r	1.0	Common
11.02.08-02	Electric window lift mechanism, RH	Renew	1.0	Common



ELISE

12.01

Updated 8th April 2011



LOTUS ELISE 2004 TMC STANDARD LABOUR TIMES.

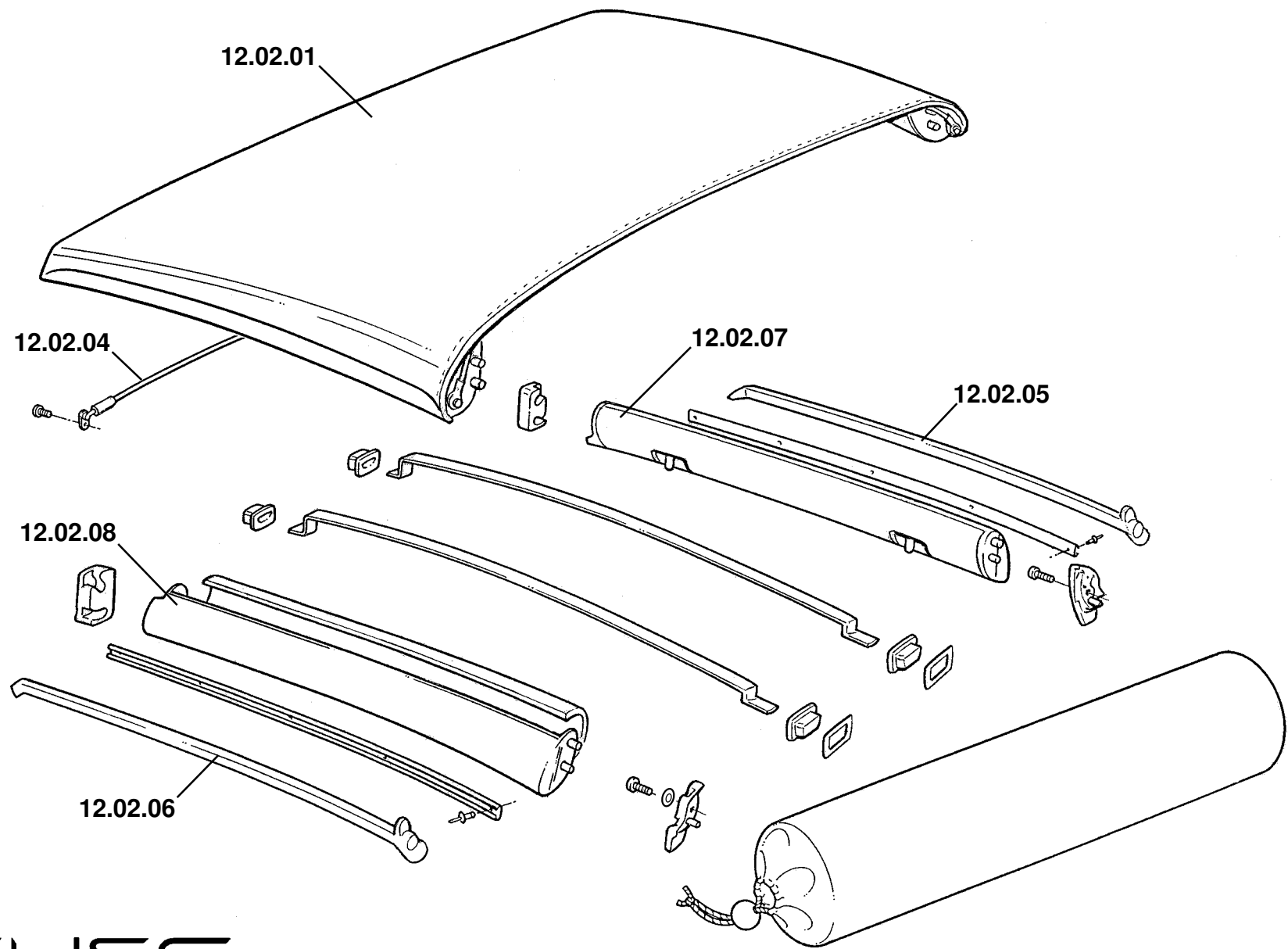
Function Area: 12.00 Exterior Fittings

Function Code: 12.01 Wheelarch Liners

Operation Code	Description	Op Type	Hours	Derivative
12.01.01-01	Wheelarch liner, LHF	r&r	0.2	Common
12.01.01-02	Wheelarch liner, LHF	Renew	0.2	Common
12.01.02-01	Wheelarch liner, RHF	r&r	0.2	Common
12.01.02-02	Wheelarch liner, RHF	Renew	0.2	Common
12.01.03-01	Wheelarch liner, LHR	r&r	0.2	Common
12.01.03-02	Wheelarch liner, LHR	Renew	0.2	Common
12.01.04-01	Wheelarch liner, RHR	r&r	0.2	Common
12.01.04-02	Wheelarch liner, RHR	Renew	0.2	Common
12.01.05-01	Mudflap, LHF	r&r	0.2	Common
12.01.05-02	Mudflap, LHF	Renew	0.2	Common
12.01.06-01	Mudflap, RHF	r&r	0.2	Common
12.01.06-02	Mudflap, RHF	Renew	0.2	Common
12.01.07-01	Access panel, front wheelarch, LH	r&r	0.1	Common
12.01.07-02	Access panel, front wheelarch, LH	Renew	0.1	Common
12.01.08-01	Access panel, front wheelarch, RH	r&r	0.1	Common
12.01.08-02	Access panel, front wheelarch, RH	Renew	0.1	Common
12.01.12-02	Extension lip, front (one)	Renew	0.3	Common
12.01.13-02	Extension lip, rear (one)	Renew	0.2	Common

Function Code: 12.01, Page: 1

Updated 8th April 2011



ELISE

12.02

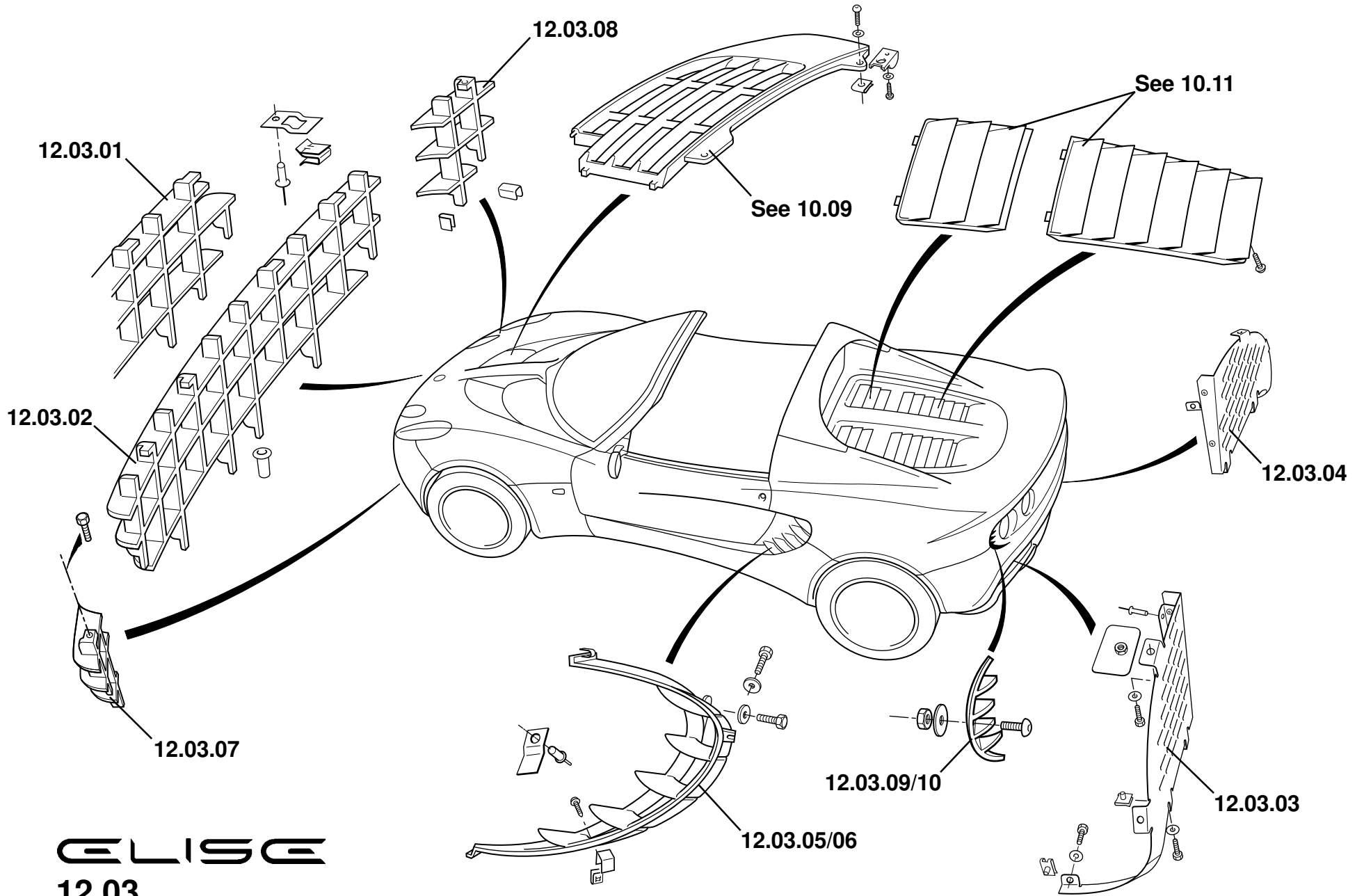


LOTUS ELISE 2004 TMC STANDARD LABOUR TIMES.

Function Area: 12.00 Exterior Fittings

Function Code: 12.02 Soft Top Roof, Cant Rails, Roof Bows

Operation Code	Description	Op Type	Hours	Derivative
12.02.01-02	Soft top roof	Renew	0.2	Elise only
12.02.04-00	Cable, soft top tensioning, front	Adjust	0.2	Elise only
12.02.04-02	Cable, soft top tensioning, front	Renew	0.3	Elise only
12.02.05-01	Cant rail weatherseal, RH	r&r	0.5	Elise only
12.02.05-02	Cant rail weatherseal, RH	Renew	0.5	Elise only
12.02.06-01	Cant rail weatherseal, LH	r&r	0.5	Elise only
12.02.06-02	Cant rail weatherseal, LH	Renew	0.5	Elise only
12.02.07-01	Cant rail trim panel, RH	r&r	0.4	Elise only
12.02.07-02	Cant rail trim panel, RH	Renew	0.4	Elise only
12.02.08-01	Cant rail trim panel, LH	r&r	0.4	Elise only
12.02.08-02	Cant rail trim panel, LH	Renew	0.4	Elise only



ELISE
12.03



LOTUS ELISE 2004 TMC STANDARD LABOUR TIMES.

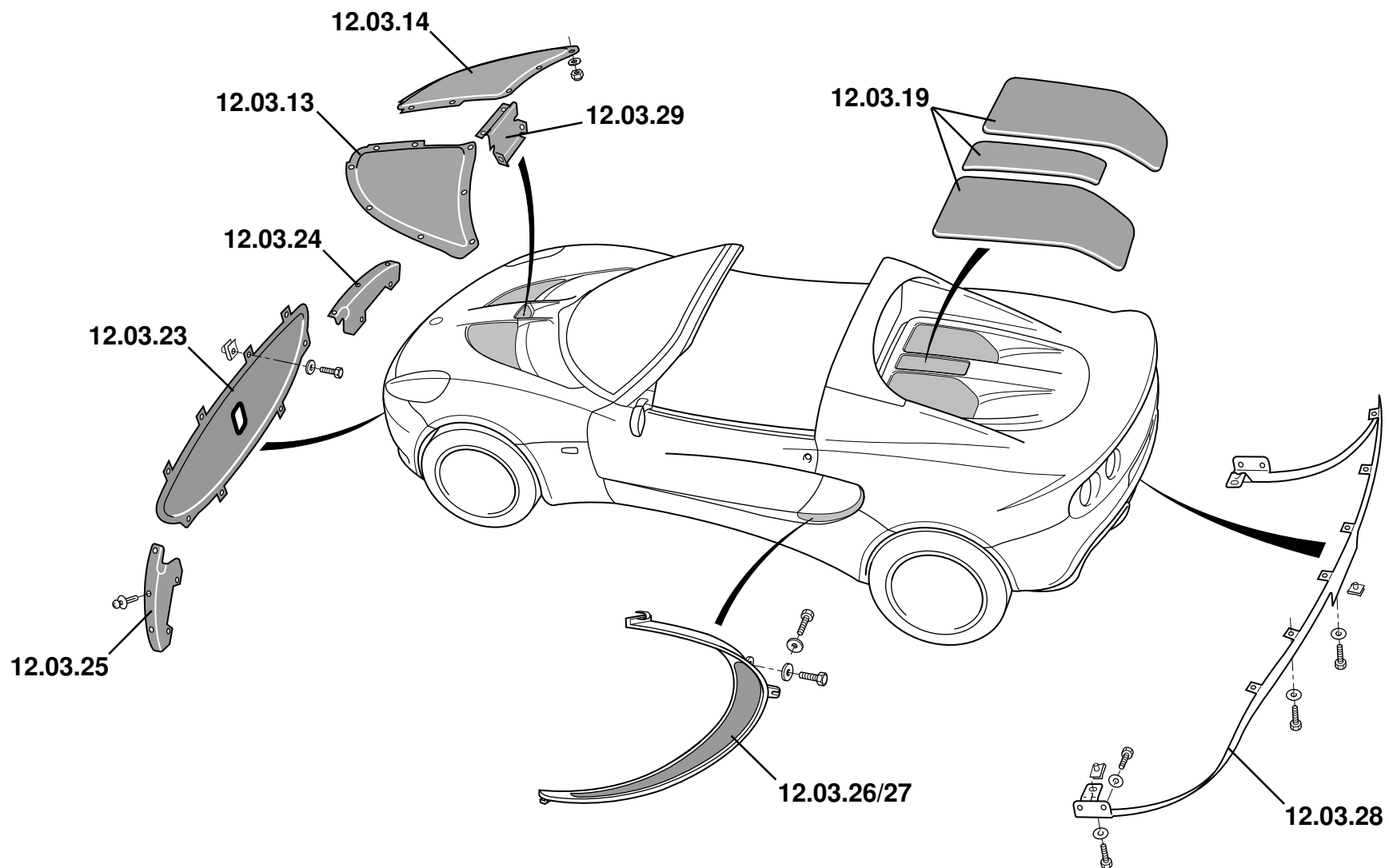
Function Area: 12.00 Exterior Fittings

Function Code: 12.03 Grilles and Louvres

Operation Code	Description	Op Type	Hours	Derivative
12.03.01-01	Grille, front intake (with driving lamps)	r&r	0.2	Elise only
12.03.01-02	Grille, front intake (with driving lamps)	Renew	0.2	Elise only
12.03.02-01	Grille, front intake (without driving lamps)	r&r	0.2	Elise only
12.03.02-02	Grille, front intake (without driving lamps)	Renew	0.2	Elise only
12.03.03-01	Rear valance grille, LH	r&r	0.2	Common
12.03.03-02	Rear valance grille, LH	Renew	0.3	Common
12.03.04-01	Rear valance grille, RH	r&r	0.2	Common
12.03.04-02	Rear valance grille, RH	Renew	0.3	Common
12.03.05-01	Grille, side intake, LH	r&r	0.3	Elise only
12.03.05-02	Grille, side intake, LH	Renew	0.5	Elise only
12.03.06-01	Grille, side intake, RH	r&r	0.3	Elise only
12.03.06-02	Grille, side intake, RH	Renew	0.5	Elise only
12.03.07-01	Grille, front intake, LH	r&r	0.2	Elise only
12.03.07-02	Grille, front intake, LH	Renew	0.2	Elise only
12.03.08-01	Grille, front intake, RH	r&r	0.2	Elise only
12.03.08-02	Grille, front intake, RH	Renew	0.2	Elise only
12.03.09-01	Grille, rear transom, LH	r&r	0.2	Elise only
12.03.09-02	Grille, rear transom, LH	Renew	0.2	Elise only
12.03.10-01	Grille, rear transom, RH	r&r	0.2	Elise only
12.03.10-02	Grille, rear transom, RH	Renew	0.2	Elise only
12.03.99-99	See 10.01 for Exige grilles			

Function Code: 12.03, Page: 1

2009/01



ELISE

12.03

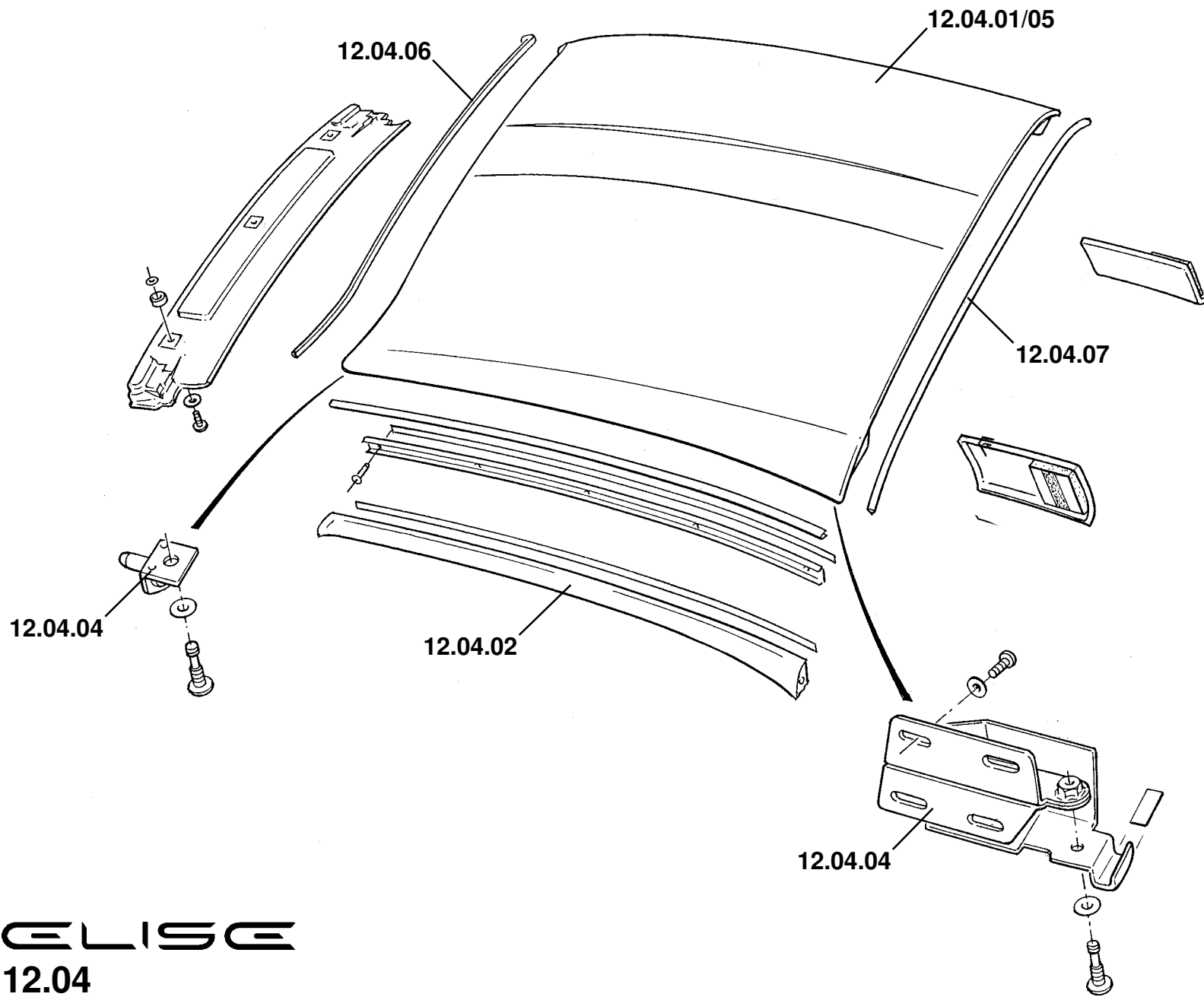


LOTUS ELISE 2011 MY STANDARD LABOUR TIMES.

Function Area: 12.00 Exterior Fittings

Function Code: 12.03 Grilles and Louvres

Operation Code	Description	Op Type	Hours	Derivative
12.03.13-01	Grille, front exit, LH (incl. front clam r&r)	r&r	2.1	
12.03.13-02	Grille, front exit, LH (incl. front clam r&r)	Renew	2.1	
12.03.14-01	Grille, front exit, RH (incl. front clam r&r)	r&r	2.1	
12.03.14-02	Grille, front exit, RH (incl. front clam r&r)	Renew	2.1	
12.03.19-02	Grille, engine cover (one)	Renew	1.0	
12.03.23-01	Grille, front intake, centre (incl. front clam r&r)	r&r	2.1	
12.03.23-02	Grille, front intake, centre (incl. front clam r&r)	Renew	2.1	
12.03.24-01	Grille, front intake, RH (incl. front clam r&r)	r&r	2.1	
12.03.24-02	Grille, front intake, RH (incl. front clam r&r)	Renew	2.1	
12.03.25-01	Grille, front intake, LH (incl. front clam r&r)	r&r	2.1	
12.03.25-02	Grille, front intake, LH (incl. front clam r&r)	Renew	2.1	
12.03.26-01	Grille, side intake, RH	r&r	0.3	
12.03.26-02	Grille, side intake, RH	Renew	0.3	
12.03.27-01	Grille, side intake, LH	r&r	0.3	
12.03.27-02	Grille, side intake, LH	Renew	0.3	
12.03.28-01	Grille, diffuser to body	r&r	0.4	
12.03.28-02	Grille, diffuser to body	Renew	0.4	
12.03.29-01	Grille, front exit, centre (incl. front clam r&r)	r&r	2.1	
12.03.29-02	Grille, front exit, centre (incl. front clam r&r)	Renew	2.1	



ELISE
12.04

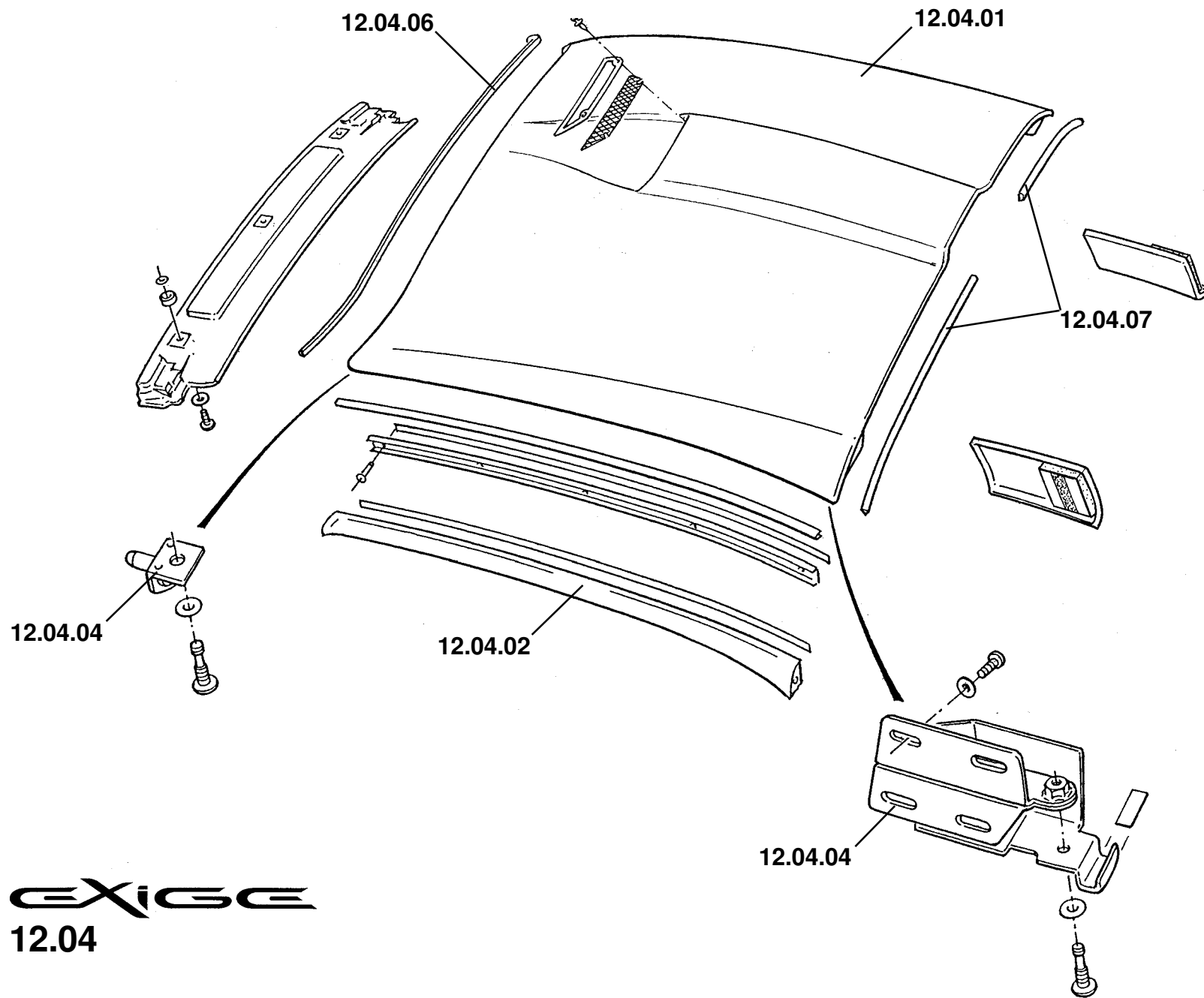


LOTUS ELISE 2004 TMC STANDARD LABOUR TIMES.

Function Area: 12.00 Exterior Fittings

Function Code: 12.04 Roof Panel, Seals & Fixings

Operation Code	Description	Op Type	Hours	Derivative
12.04.01-01	Hardtop roof assembly	r&r	0.3	Elise only
12.04.01-02	Hardtop roof assembly	Renew	0.3	Elise only
12.04.02-02	Weatherstrip, side	Renew	0.5	Elise only
12.04.03-01	Headlining	r&r	0.5	Elise only
12.04.03-02	Headlining	Renew	0.5	Elise only
12.04.04-02	Bracket (each)	Renew	0.2	Elise only
12.04.05-TT	Hardtop roof assembly, paint as necessary	Paint	0.0	Elise only
12.04.06-02	Weatherstrip, front	Renew	0.3	Elise only
12.04.07-02	Weatherstrip, rear	Renew	0.3	Elise only



EXIGE
12.04



LOTUS EXIGE 2004 STANDARD LABOUR TIMES.

Function Area: 12.00 Exterior Fittings

Function Code: 12.04 Roof Panel, Seals & Fixings

Operation Code	Description	Op Type	Hours	Derivative
12.04.01-01	Hardtop roof assembly	r&r	0.3	04 Exige
12.04.01-02	Hardtop roof assembly (excl. paint)	Renew	0.3	04 Exige
12.04.02-02	Weatherstrip, side	Renew	0.5	04 Exige
12.04.03-01	Headlining	r&r	0.5	04 Exige
12.04.03-02	Headlining	Renew	0.5	04 Exige
12.04.04-02	Bracket (each)	Renew	0.2	04 Exige
12.04.06-02	Weatherstrip, front	Renew	0.3	04 Exige
12.04.07-02	Weatherstrip, rear	Renew	0.3	04 Exige

ELISE
SUPERCHARGED

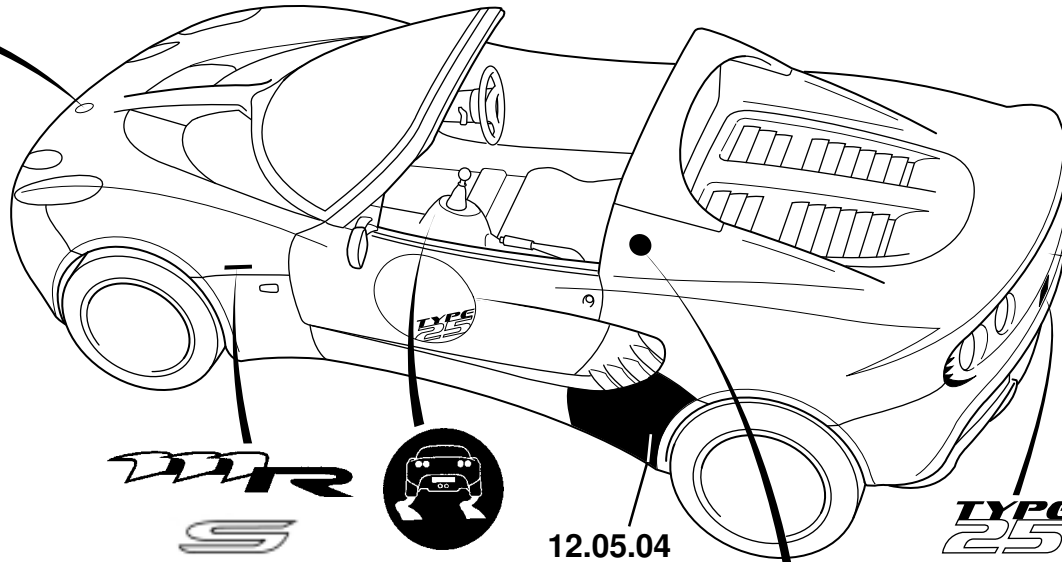
ELISE
Sportscar

ELISE

ELISE
S

ELISE
R

12.05.01



12.05.01

LOTUS

12.05.03

MR
S
R



12.05.04

TYPE
25

Sportscar
ELISE
SUPERCHARGED



ELISE
12.05

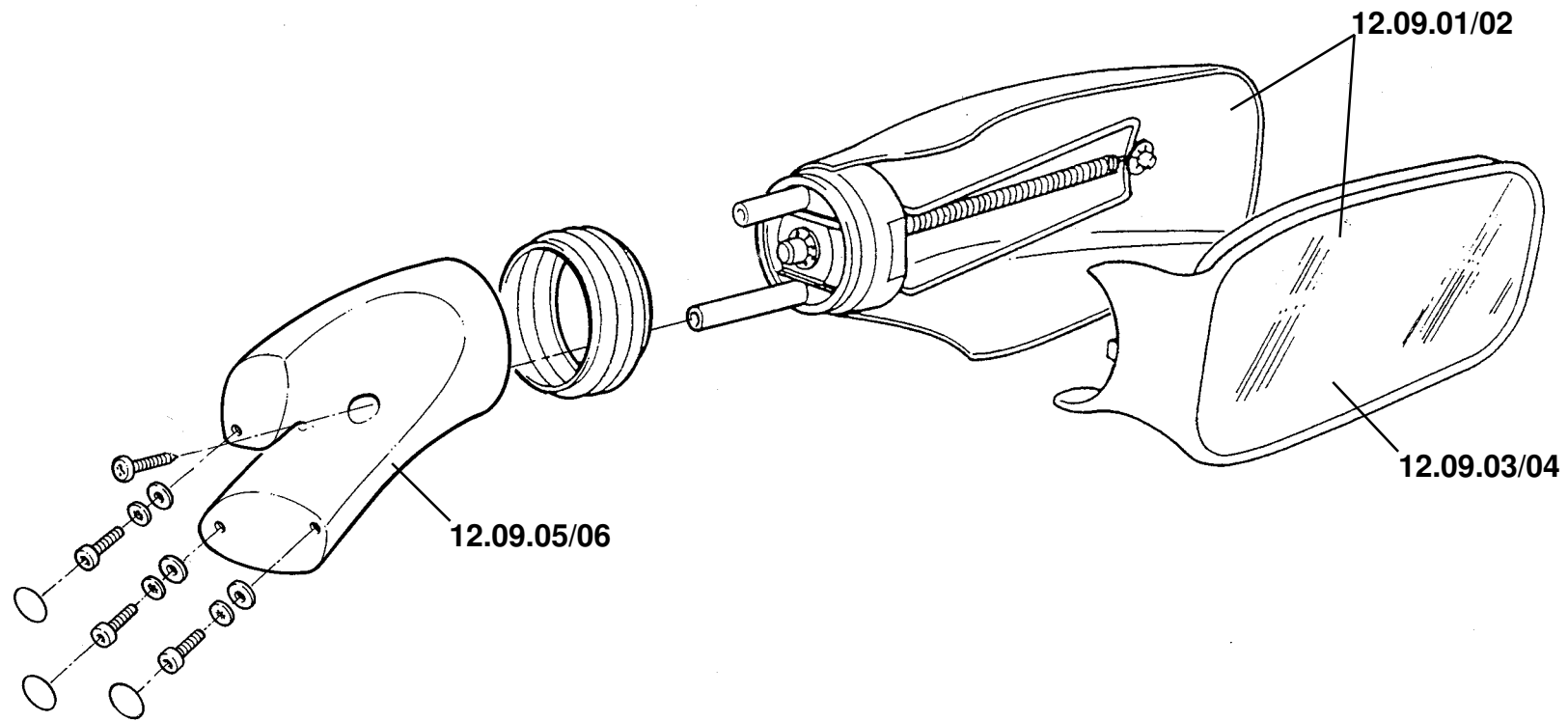


LOTUS ELISE 2004 TMC STANDARD LABOUR TIMES.

Function Area: 12.00 Exterior Fittings

Function Code: 12.05 Decals, Badges & Protective Film

Operation Code	Description	Op Type	Hours	Derivative
12.05.01-02	Nose badge, front or rear	Renew	0.2	Common
12.05.02-02	Decal (any, one)	Renew	0.2	Common
12.05.03-02	Badge (seperate letters)	Renew	0.5	Common
12.05.04-02	Film, paint protection (any, one)	Renew	0.5	Common



ELISE

12.09

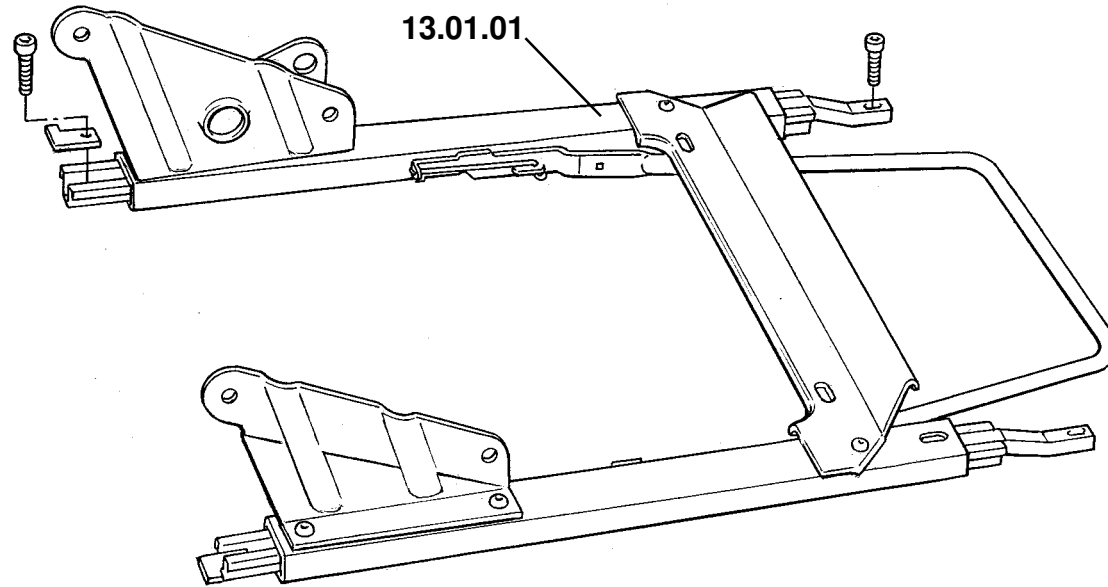
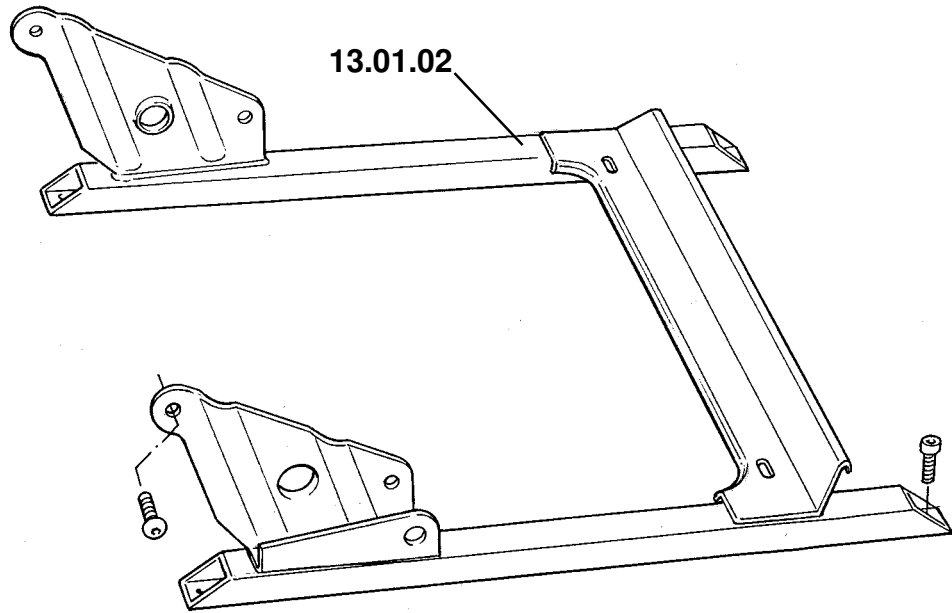


LOTUS ELISE 2004 TMC STANDARD LABOUR TIMES.

Function Area: 12.00 Exterior Fittings

Function Code: 12.09 Exterior Driving Mirrors

Operation Code	Description	Op Type	Hours	Derivative
12.09.01-01	Mirror assembly, RH	r&r	0.2	Common
12.09.01-02	Mirror assembly, RH	Renew	0.2	Common
12.09.02-01	Mirror assembly, LH	r&r	0.2	Common
12.09.02-02	Mirror assembly, LH	Renew	0.2	Common
12.09.03-01	Mirror glass, RH	r&r	0.2	Common
12.09.03-02	Mirror glass, RH	Renew	0.2	Common
12.09.04-01	Mirror glass, LH	r&r	0.2	Common
12.09.04-02	Mirror glass, LH	Renew	0.2	Common
12.09.05-01	Plinth, door mirror, RH	r&r	1.2	Common
12.09.05-02	Plinth, door mirror, RH	Renew	1.2	Common
12.09.06-01	Plinth, door mirror, LH	r&r	1.2	Common
12.09.06-02	Plinth, door mirror, LH	Renew	1.2	Common



ELISE

13.01

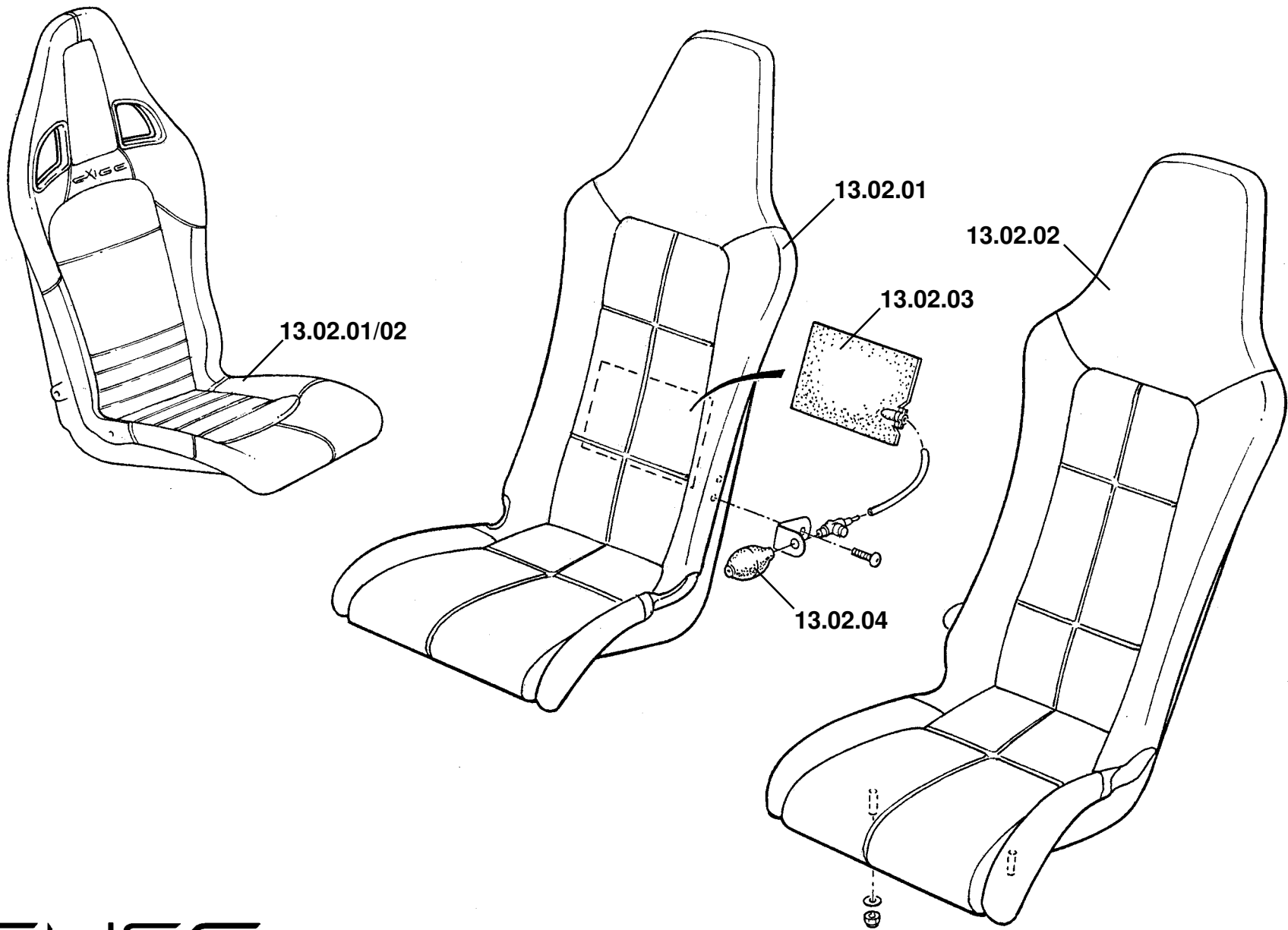


LOTUS ELISE 2004 TMC STANDARD LABOUR TIMES.

Function Area: 13.00 Seats & Seat Belts

Function Code: 13.01 Seat Runners

Operation Code	Description	Op Type	Hours	Derivative
13.01.01-01	Seat runners, driver's	r&r	0.6	Common
13.01.01-02	Seat runners, driver's	Renew	0.6	Common
13.01.02-01	Seat mounting frame, passenger's	r&r	0.6	Common
13.01.02-02	Seat mounting frame, passenger's	Renew	0.6	Common



ELISE

13.02

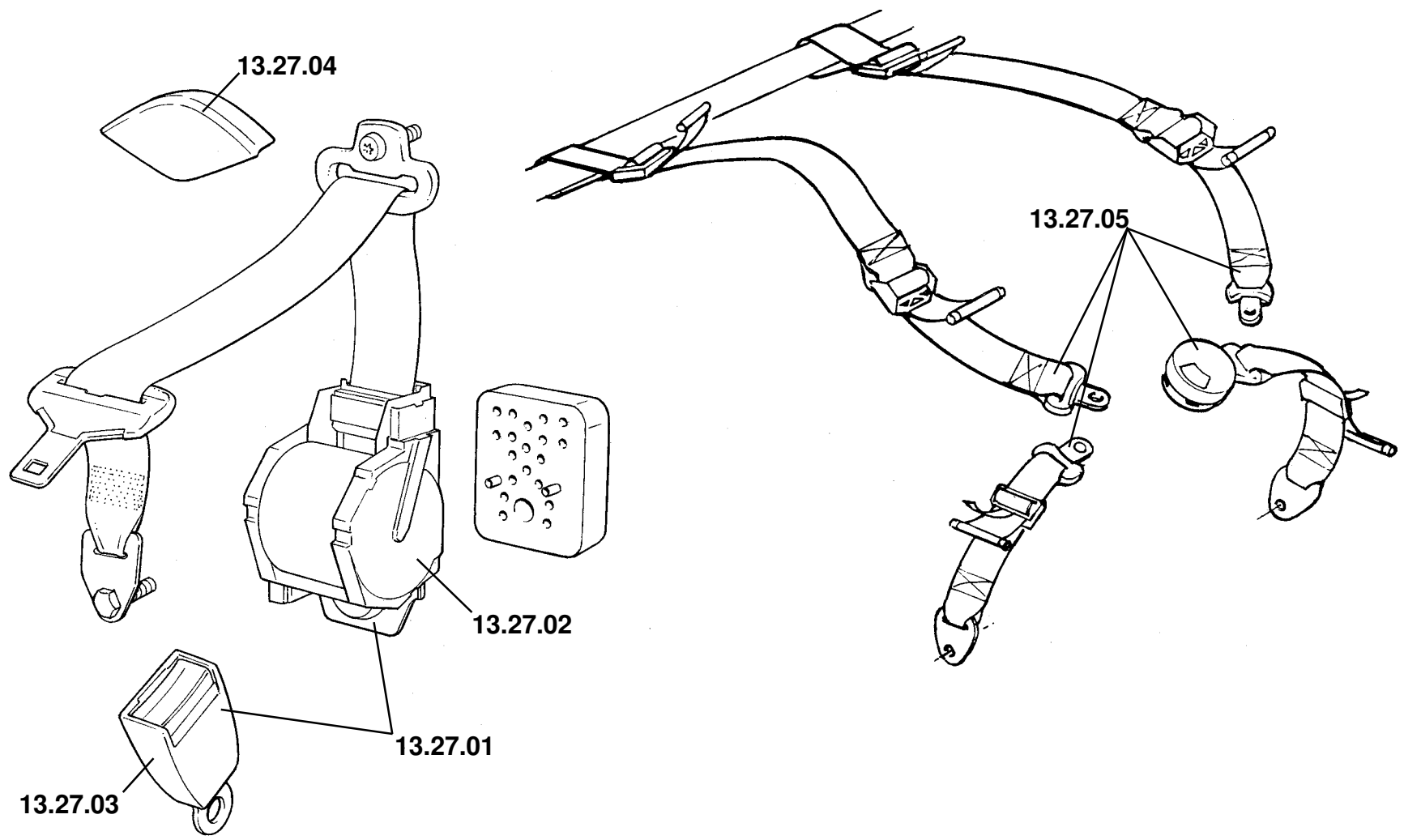


LOTUS ELISE 2004 TMC STANDARD LABOUR TIMES.

Function Area: 13.00 Seats & Seat Belts

Function Code: 13.02 Seat Assemblies, front

Operation Code	Description	Op Type	Hours	Derivative
13.02.01-01	Seat, driver's	r&r	0.6	Common
13.02.01-02	Seat, driver's	Renew	0.6	Common
13.02.02-01	Seat, passenger's	r&r	0.6	Common
13.02.02-02	Seat, passenger's	Renew	0.6	Common
13.02.03-02	Inflatable lumbar support	Renew	3.0	Common
13.02.04-01	Lumbar support pump	r&r	0.6	Common
13.02.04-02	Lumbar support pump	Renew	0.6	Common



ELISE
13.27

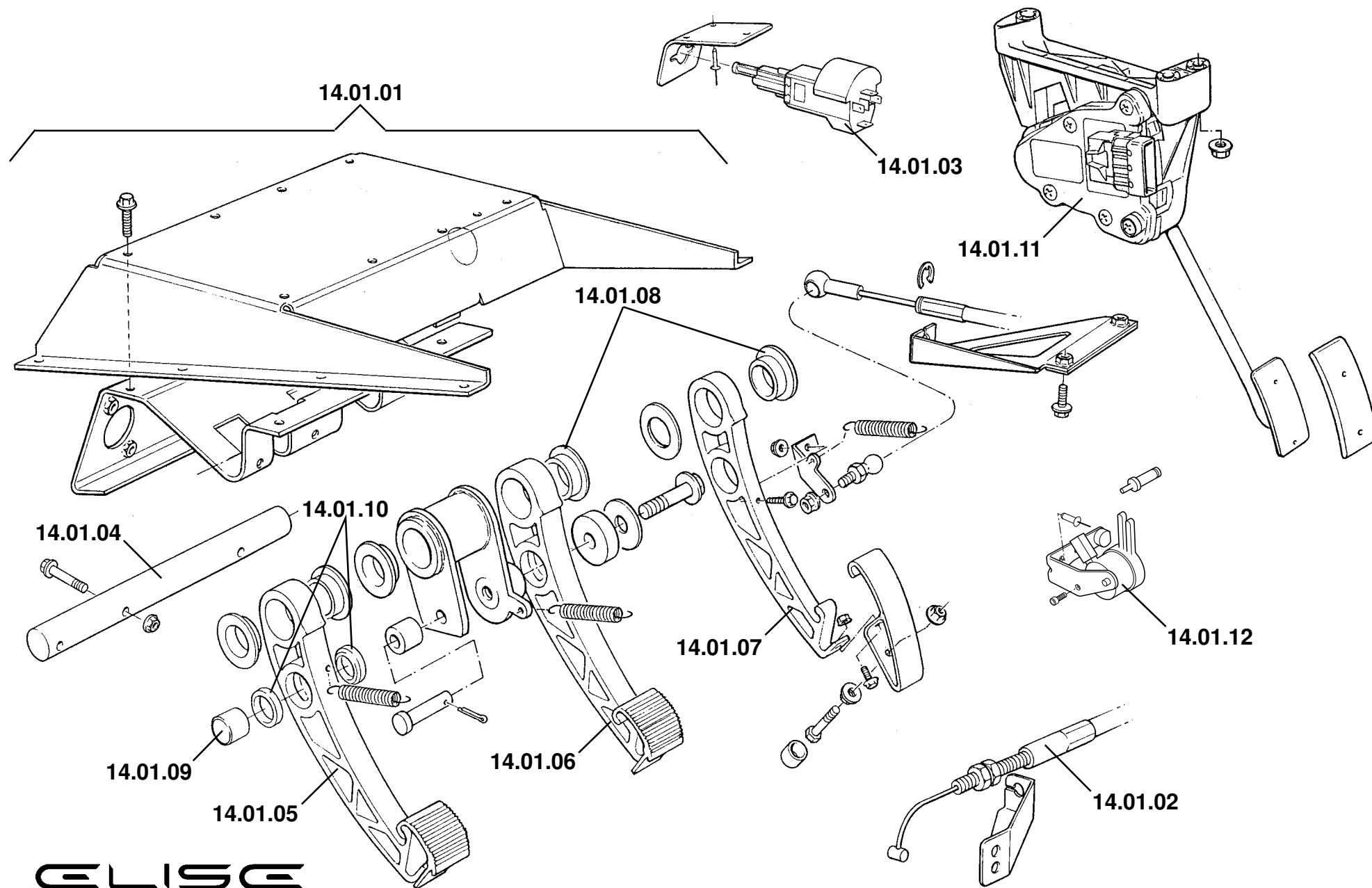


LOTUS ELISE 2004 TMC STANDARD LABOUR TIMES.

Function Area: 13.00 Seats & Seat Belts

Function Code: 13.27 Seat Belts, front

Operation Code	Description	Op Type	Hours	Derivative
13.27.01-01	Seat belt assembly	r&r	0.7	Common
13.27.01-02	Seat belt assembly	Renew	0.7	Common
13.27.02-01	Reel assembly	r&r	0.6	Common
13.27.02-02	Reel assembly	Renew	0.6	Common
13.27.03-01	Seat buckle	r&r	0.2	Common
13.27.03-02	Seat buckle	Renew	0.2	Common
13.27.04-02	Seat belt cover, upper anchorage	Renew	0.1	Common
13.27.05-01	Four point harness	r&r	1.0	Common
13.27.05-02	Four point harness	Renew	1.0	Common



ELISE
14.01



LOTUS ELISE 2004 TMC STANDARD LABOUR TIMES.

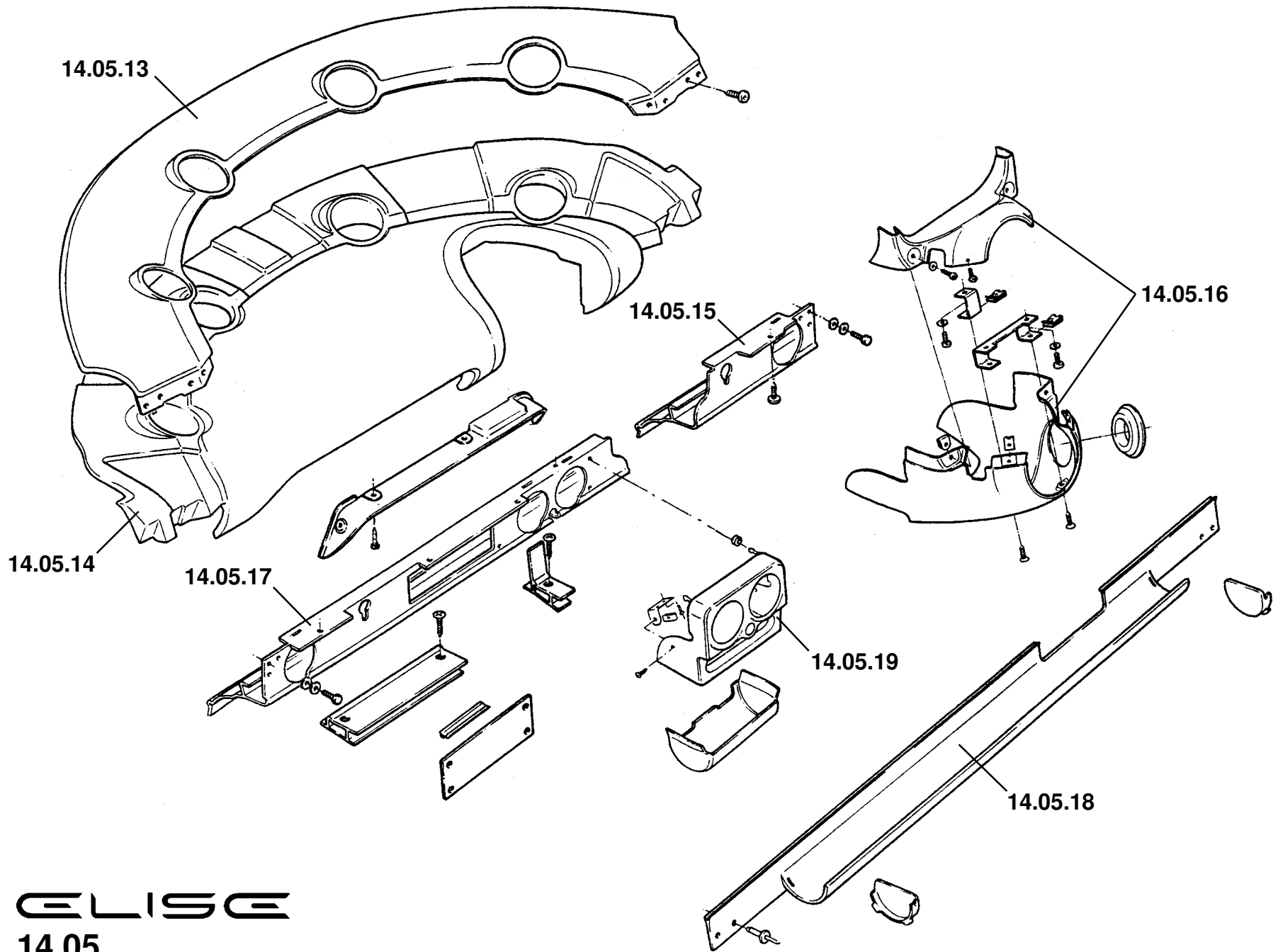
Function Area: 14.00 Pedal Box & Fascia

Function Code: 14.01 Pedal Box, Pedals, Throttle Control

Operation Code	Description	Op Type	Hours	Derivative
14.01.01-01	Pedal box assembly	r&r	4.0	Common
14.01.02-00	Throttle cable	Adjust	0.2	Common, prior '06
14.01.02-02	Throttle cable	Renew	2.3	Common, prior '06
14.01.03-00	Brake light switch	Adjust	0.2	Common
14.01.03-02	Brake light switch	Renew	0.2	Common
14.01.04-01	Pedal shaft	r&r	4.5	Common
14.01.04-02	Pedal shaft	Renew	4.5	Common
14.01.05-00	Clutch pedal	Adjust	0.2	Common
14.01.05-01	Clutch pedal	r&r	4.5	Common
14.01.05-02	Clutch pedal	Renew	4.5	Common
14.01.06-00	Brake pedal	Adjust	0.2	Common
14.01.06-01	Brake pedal	r&r	4.5	Common
14.01.06-02	Brake pedal	Renew	4.5	Common
14.01.07-01	Throttle pedal	r&r	4.5	Common, prior '06
14.01.07-02	Throttle pedal	Renew	4.5	Common, prior '06
14.01.08-02	Bearing, pedal	Renew	4.6	Common
14.01.09-02	Trunnion, pedal to push rod	Renew	0.5	Common
14.01.10-02	Bush, pedal trunnions	Renew	0.5	Common
14.01.11-01	Electronic throttle assembly	r&r	0.5	Common, '06MY on
14.01.11-02	Electronic throttle assembly	Renew	0.5	Common, '06MY on
14.01.12-01	Potentiometer, clutch	r&r	0.2	Optional
14.01.12-02	Potentiometer, clutch	Renew	0.2	Optional

Function Code: 14.01, Page: 1

Updated 24/09/2010



ELISE
14.05

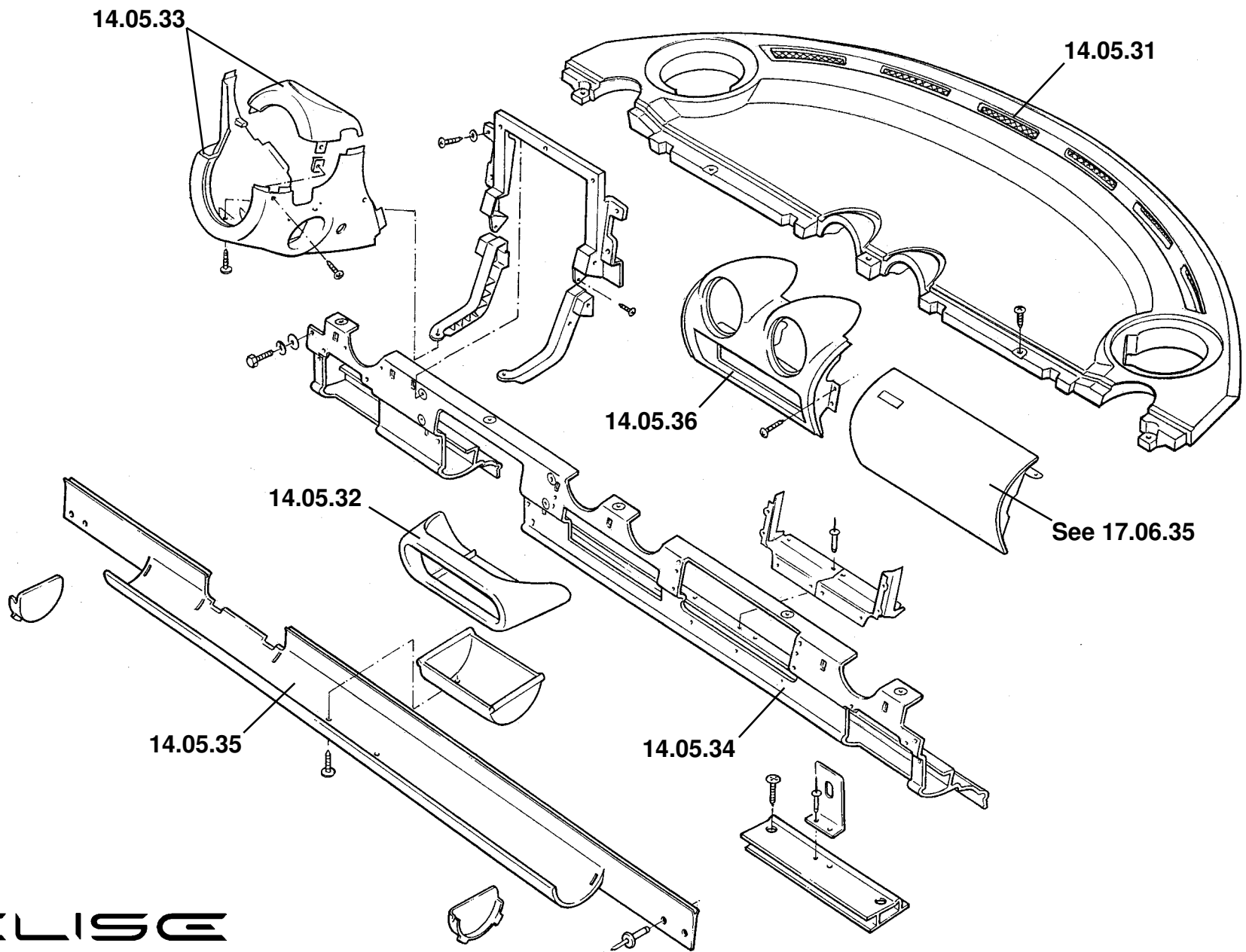


LOTUS ELISE 2004 TMC STANDARD LABOUR TIMES.

Function Area: 14.00 Pedal Box & Fascia

Function Code: 14.05 Fascia Structure & Supporting Hardware

Operation Code	Description	Op Type	Hours	Derivative
14.05.13-01	Capping panel, fascia top	r&r	0.6	Prior 08/exc. Fed
14.05.13-02	Capping panel, fascia top	Renew	0.7	Prior 08/exc. Fed
14.05.14-01	Fascia top panel	r&r	2.5	Prior 08/exc. Fed
14.05.14-02	Fascia top panel	Renew	2.5	Prior 08/exc. Fed
14.05.15-01	Dash panel, driver	r&r	0.1	Prior 08/exc. Fed
14.05.15-02	Dash panel, driver	Renew	0.2	Prior 08/exc. Fed
14.05.16-01	Steering column shroud	r&r	0.7	Prior 08/exc. Fed
14.05.16-02	Steering column shroud	Renew	0.8	Prior 08/exc. Fed
14.05.17-01	Dash panel, passenger	r&r	0.3	Prior 08/exc. Fed
14.05.17-02	Dash panel, passenger	Renew	0.4	Prior 08/exc. Fed
14.05.18-01	Dash panel/stowage shelf	r&r	0.4	Prior 08/exc. Fed
14.05.18-02	Dash panel/stowage shelf	Renew	0.5	Prior 08/exc. Fed
14.05.19-01	Trim, face level vents	r&r	0.1	Prior 08/exc. Fed
14.05.19-02	Trim, face level vents	Renew	0.1	Prior 08/exc. Fed



ELISE
14.05



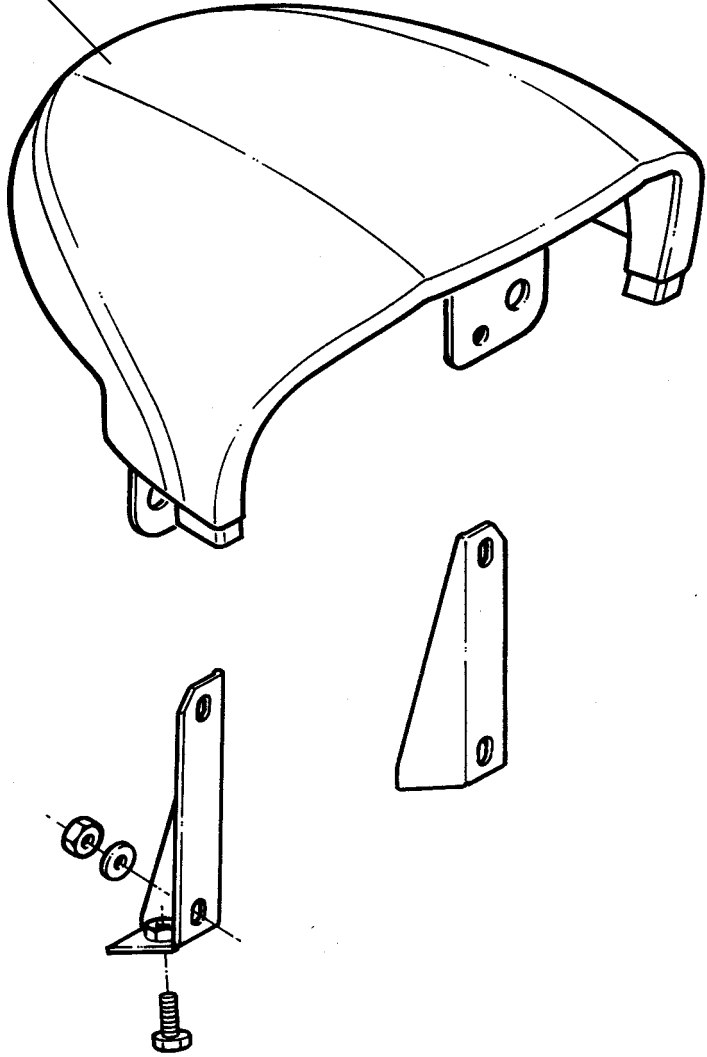
LOTUS ELISE 2004 TMC STANDARD LABOUR TIMES.

Function Area: 14.00 Pedal Box & Fascia

Function Code: 14.05 Fascia Structure & Supporting Hardware

Operation Code	Description	Op Type	Hours	Derivative
14.05.31-01	Fascia top panel	r&r	1.5	'08MY common
14.05.31-02	Fascia top panel	Renew	1.5	'08MY common
14.05.32-01	Heater control housing	r&r	0.6	'08MY common
14.05.32-02	Heater control housing	Renew	0.6	'08MY common
14.05.33-01	Steering column shroud	r&r	0.3	'08MY common
14.05.33-02	Steering column shroud	Renew	0.3	'08MY common
14.05.34-01	Dash panel	r&r	1.0	'08MY common
14.05.34-02	Dash panel	Renew	1.0	'08MY common
14.05.35-01	Lower dash panel/stowage shelf	r&r	0.4	'08MY common
14.05.35-02	Lower dash panel/stowage shelf	Renew	0.5	'08MY common
14.05.36-01	Trim, face level vents/radio	r&r	0.5	'08MY common
14.05.36-02	Trim, face level vents/radio	Renew	0.5	'08MY common

14.10.01



ELISE

14.10

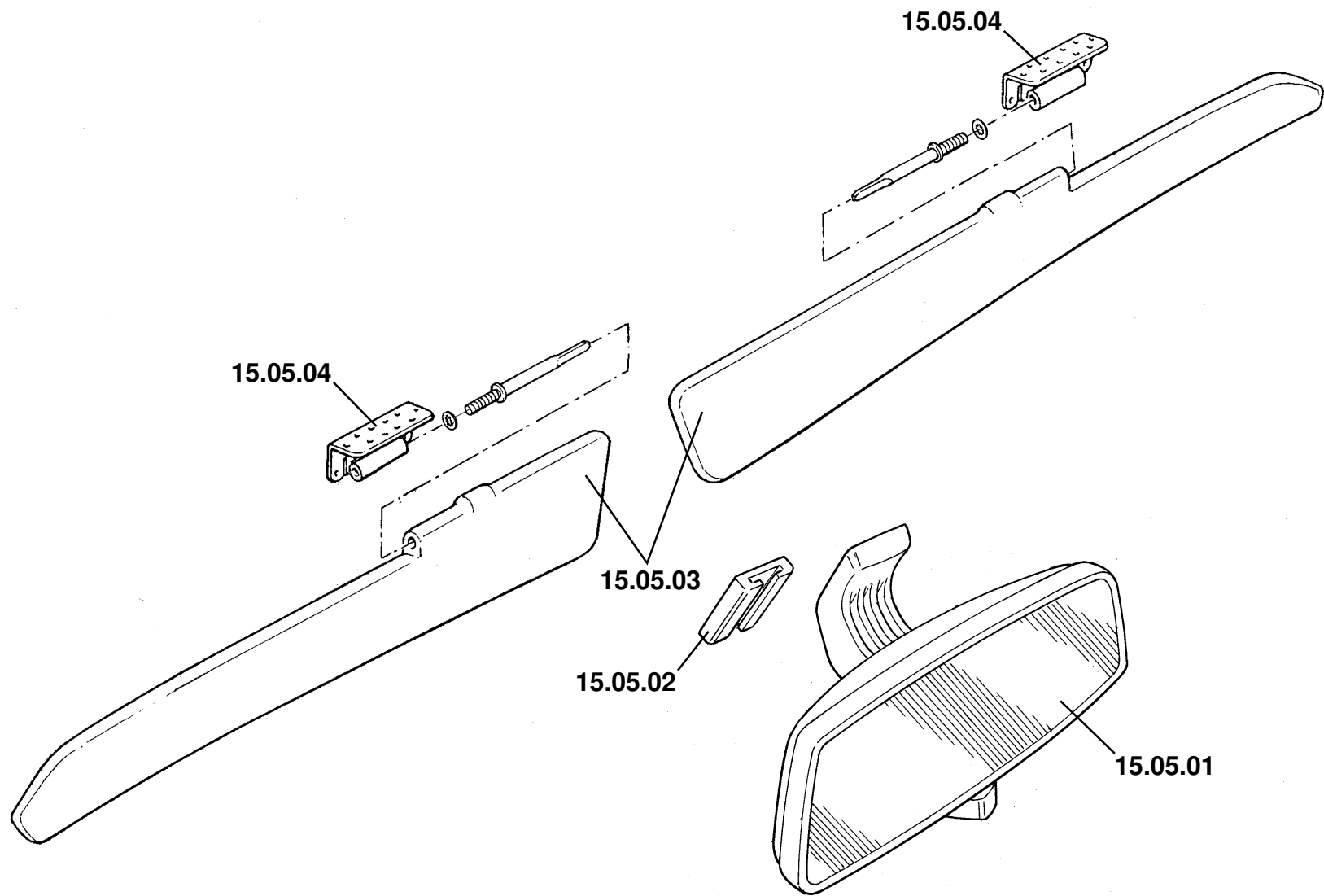


LOTUS ELISE 2004 TMC STANDARD LABOUR TIMES.

Function Area: 14.00 Pedal Box & Fascia

Function Code: 14.10 Instrument Cowling

Operation Code	Description	Op Type	Hours	Derivative
14.10.01-01	Instrument cowl	r&r	0.3	Common
14.10.01-02	Instrument cowl	Renew	0.3	Common



ELISE
15.05

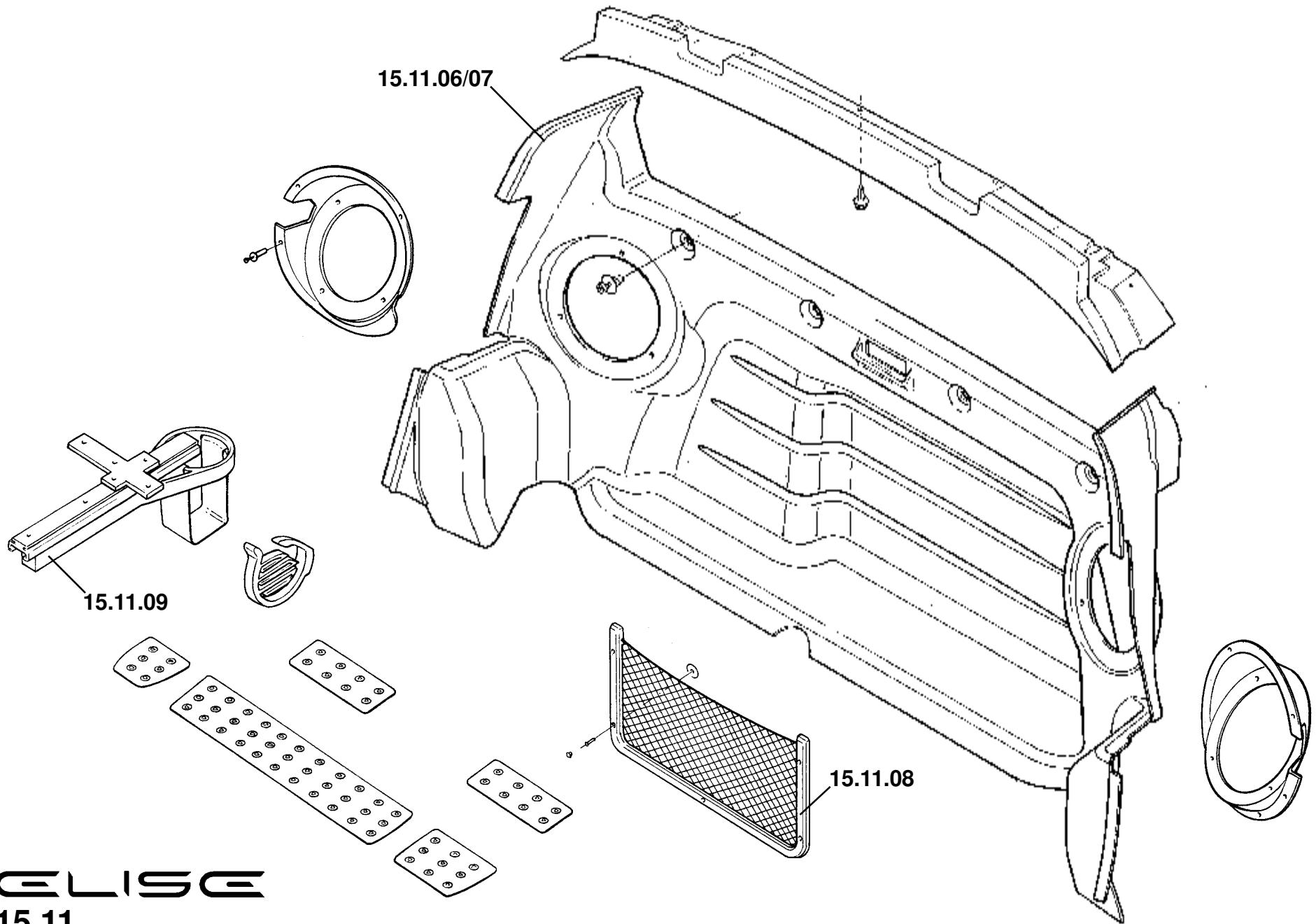


LOTUS ELISE 2004 TMC STANDARD LABOUR TIMES.

Function Area: 15.00 Interior Trim

Function Code: 15.05 Interior Driving Mirror & Sunvisors

Operation Code	Description	Op Type	Hours	Derivative
15.05.01-02	Mirror	Renew	0.1	Common
15.05.02-02	Mirror mount	Renew	0.2	Common
15.05.03-01	Sunvisor (either)	r&r	0.5	Common
15.05.03-02	Sunvisor (either)	Renew	0.5	Common
15.05.04-02	Sunvisor mounting bracket (either or both)	Renew	3.0	Common



ELISE
15.11

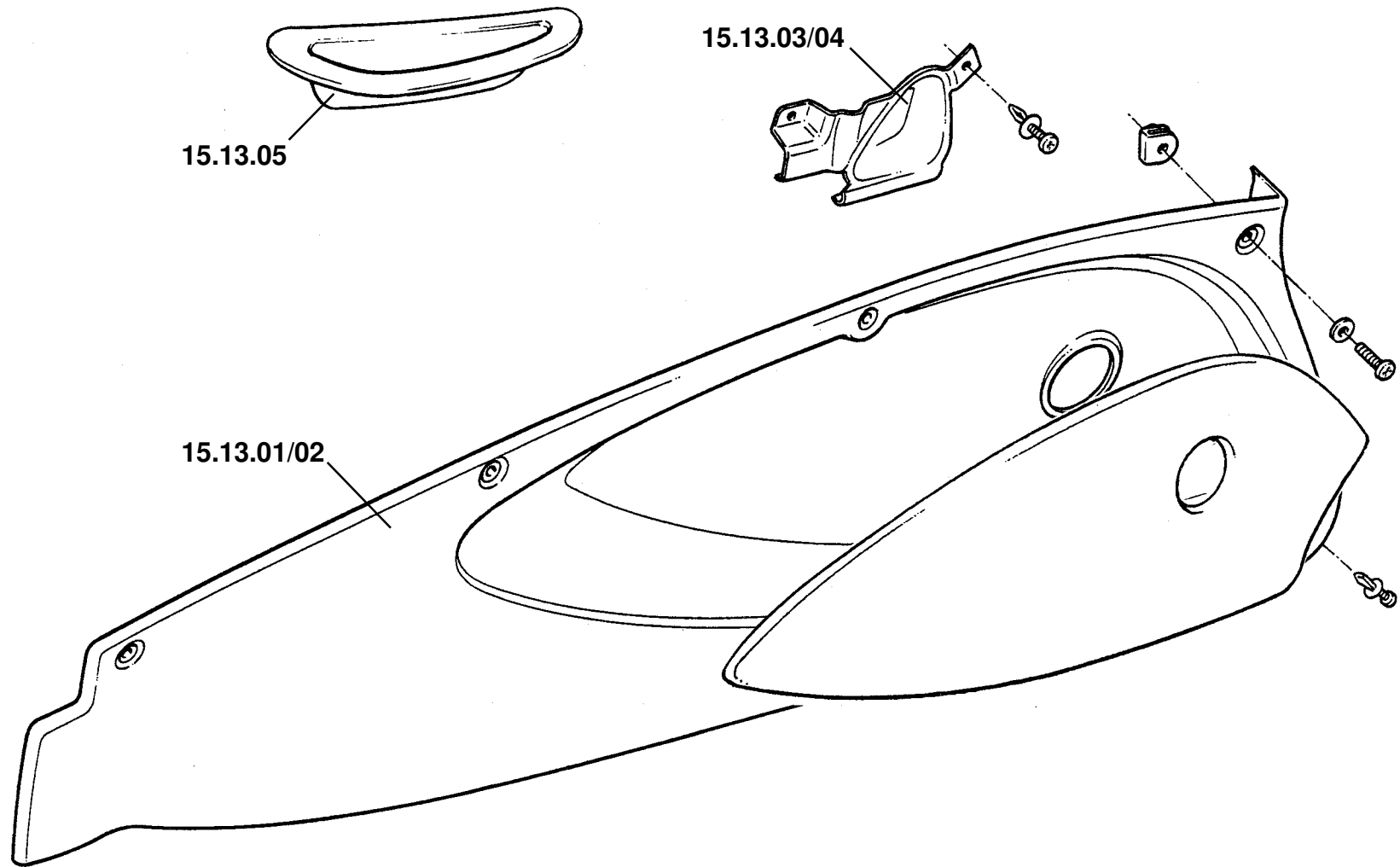


LOTUS ELISE 2004 TMC STANDARD LABOUR TIMES.

Function Area: 15.00 Interior Trim

Function Code: 15.11 Interior Trim & Stowage Provision

Operation Code	Description	Op Type	Hours	Derivative
15.11.06-01	Rear bulkhead trim panel (incl. seat removal)	r&r	0.8	Common
15.11.06-02	Rear bulkhead trim panel (incl. seat removal)	Renew	1.0	Common
15.11.07-01	Rear bulkhead trim panel, with speakers (inc.Seat removal)	r&r	1.0	Common
15.11.07-02	Rear bulkhead trim panel, with speakers (inc.Seat removal)	Renew	1.2	Common
15.11.08-01	Stowage net	r&r	0.2	Common
15.11.08-02	Stowage net	Renew	0.2	Common
15.11.09-02	Cup holder	Renew	0.5	Common



ELISE

15.13

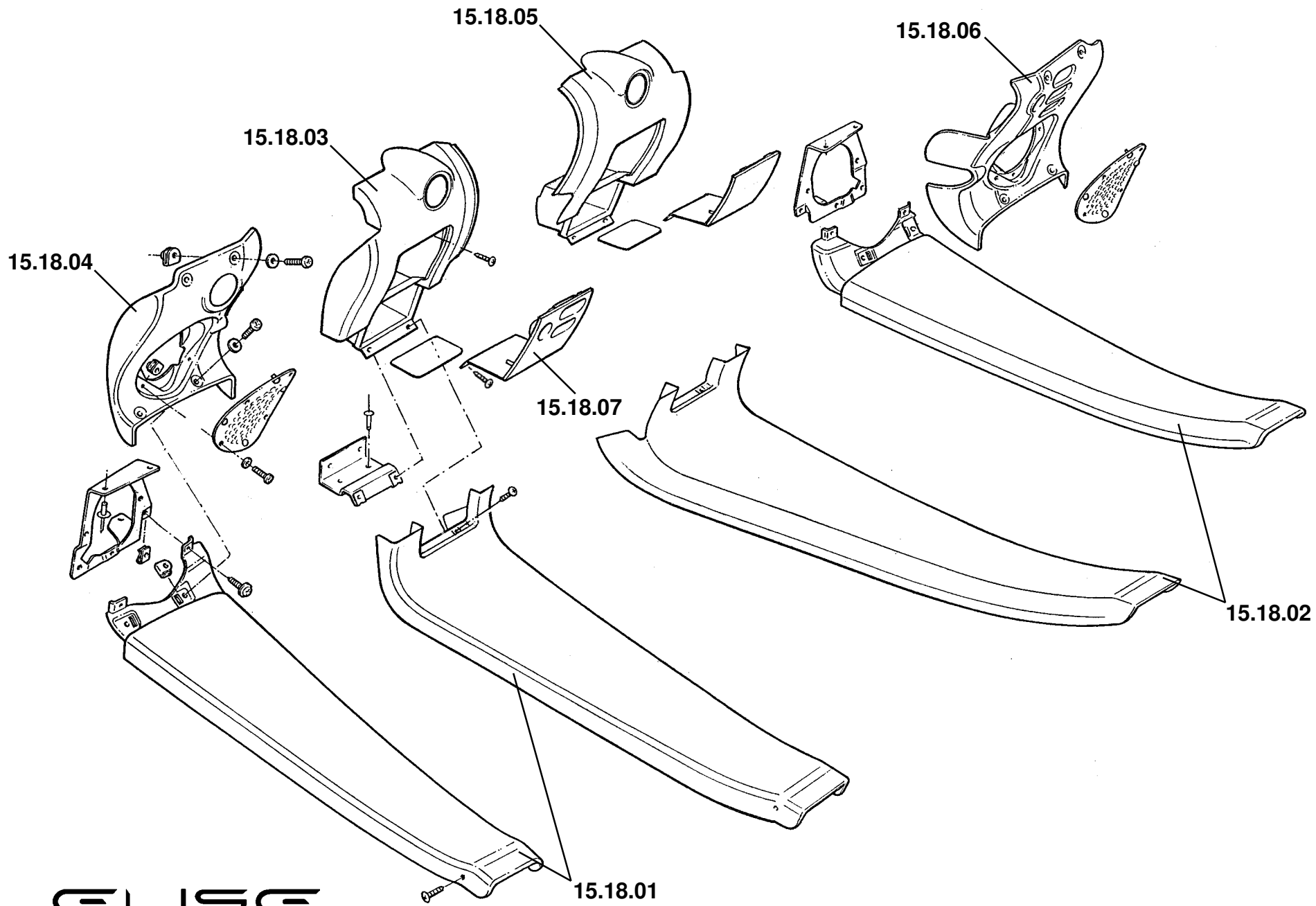


LOTUS ELISE 2004 TMC STANDARD LABOUR TIMES.

Function Area: 15.00 Interior Trim

Function Code: 15.13 Front Door Trims

Operation Code	Description	Op Type	Hours	Derivative
15.13 .01-01	Door trim, RH	r&r	0.1	Common
15.13 .01-02	Door trim, RH	Renew	0.1	Common
15.13 .02-01	Door trim, LH	r&r	0.1	Common
15.13 .02-02	Door trim, LH	Renew	0.1	Common
15.13 .03-01	Escutcheon door release handle, RH	r&r	0.1	Common
15.13 .03-02	Escutcheon door release handle, RH	Renew	0.1	Common
15.13 .04-01	Escutcheon door release handle, LH	r&r	0.1	Common
15.13 .04-02	Escutcheon door release handle, LH	Renew	0.1	Common
15.13 .05-02	Trim panel, interior door pull recess	Renew	0.3	Common



ELISE

15.18

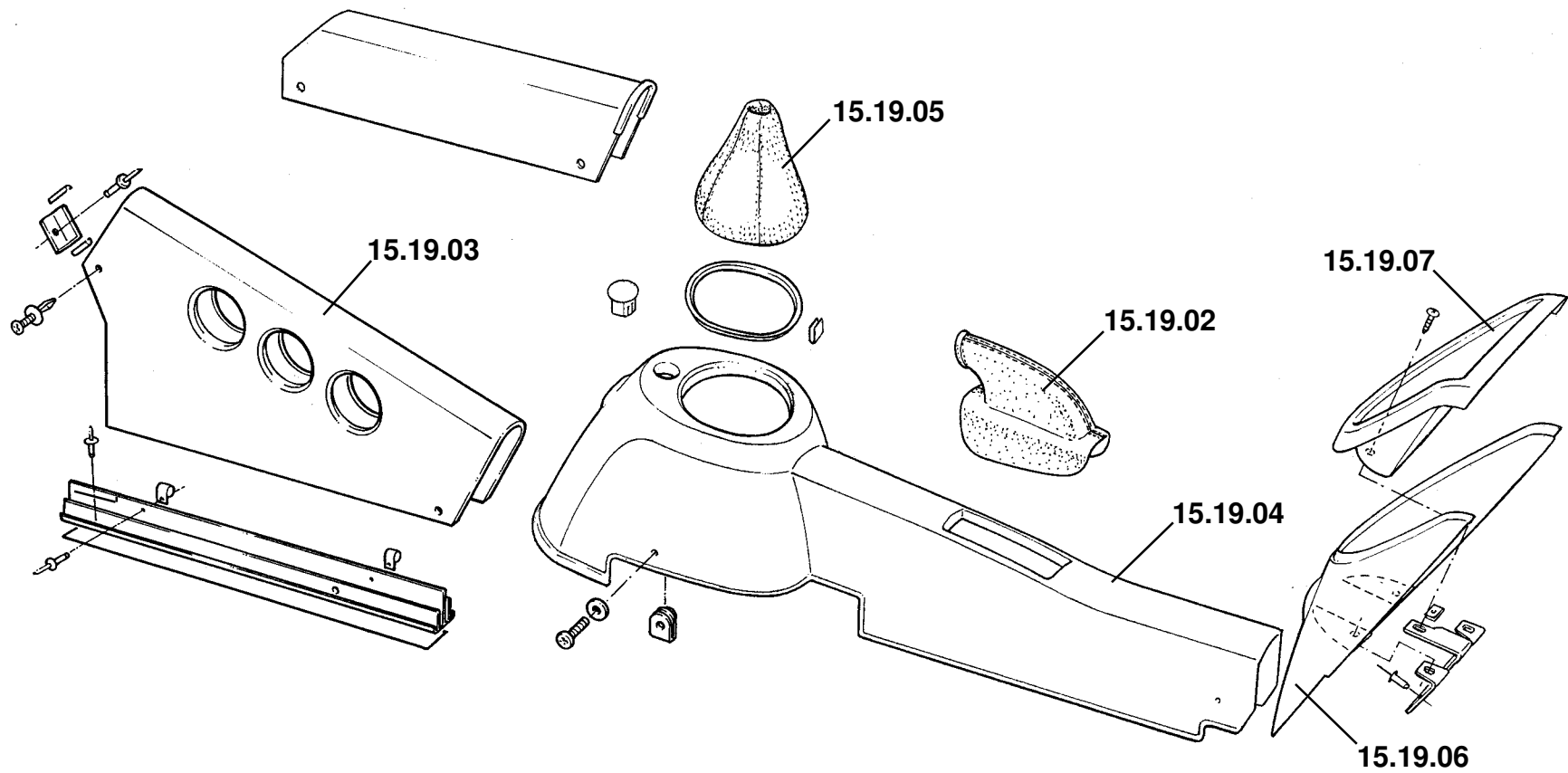


LOTUS ELISE 2004 TMC STANDARD LABOUR TIMES.

Function Area: 15.00 Interior Trim

Function Code: 15.18 Interior Trim, Chassis Trim Panels

Operation Code	Description	Op Type	Hours	Derivative
15.18.01-01	Sill trim panel, LH	r&r	0.2	Common
15.18.01-02	Sill trim panel, LH	Renew	0.3	Common
15.18.02-01	Sill trim panel, RH	r&r	0.2	Common
15.18.02-02	Sill trim panel, RH	Renew	0.3	Common
15.18.03-01	'A' post trim panel, passenger	r&r	0.1	'08MY common
15.18.03-02	'A' post trim panel, passenger	Renew	0.2	'08MY common
15.18.04-02	'A' post trim panel, with speakers, passenger	Renew	0.3	Prior 08/exc. Fed
15.18.05-01	'A' post trim panel, driver	r&r	0.2	'08MY common
15.18.05-02	'A' post trim panel, driver	Renew	0.3	'08MY common
15.18.06-02	'A' post trim panel, with speakers, driver	Renew	0.4	Prior 08/exc. Fed
15.18.07-02	Switch panel	Renew	0.3	'08MY common



ELISE

15.19

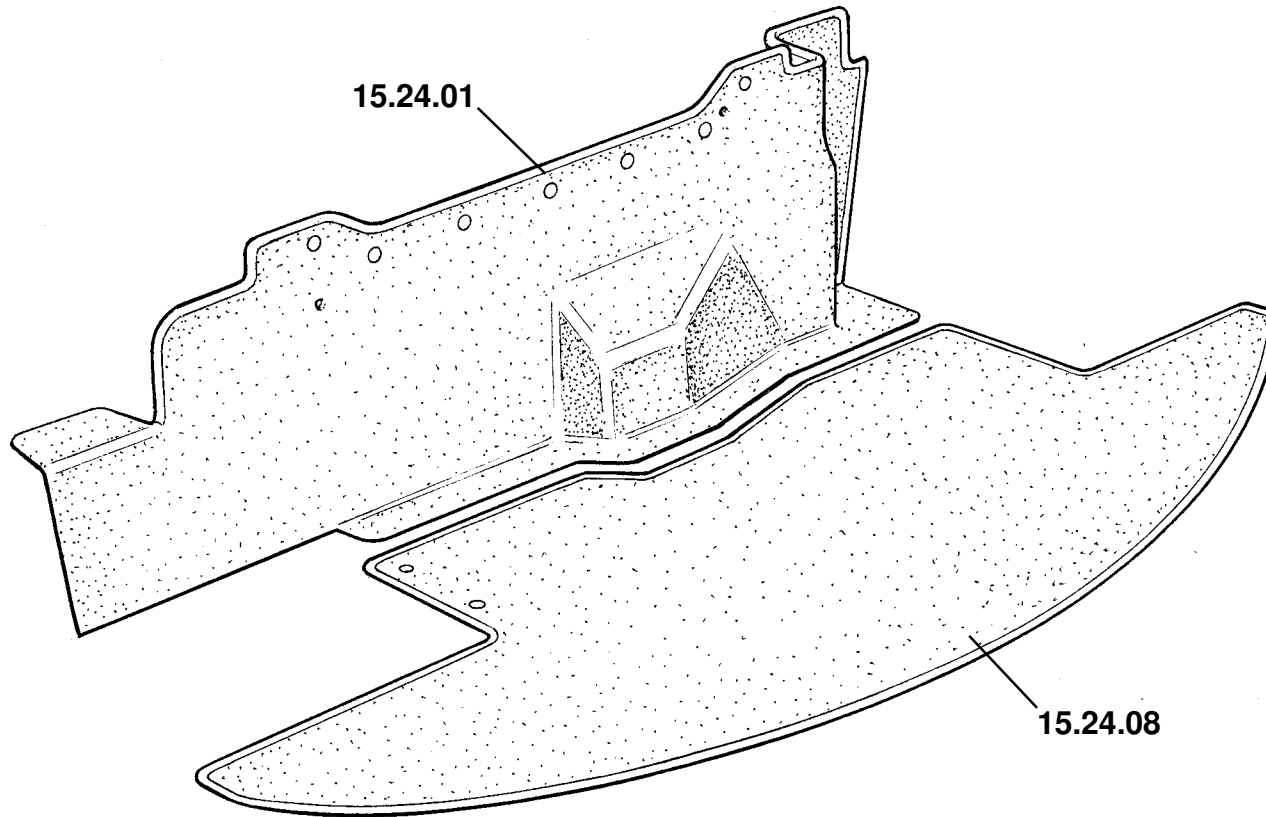


LOTUS ELISE 2004 TMC STANDARD LABOUR TIMES.

Function Area: 15.00 Interior Trim

Function Code: 15.19 Centre Tunnel Trim, Gear Lever Gaiters/Shrouds

Operation Code	Description	Op Type	Hours	Derivative
15.19.02-01	Handbrake lever gaiter	r&r	0.2	Common
15.19.02-02	Handbrake lever gaiter	Renew	0.2	Common
15.19.03-01	Cover, tunnel front	r&r	0.3	Common
15.19.03-02	Cover, tunnel front	Renew	0.3	Common
15.19.04-01	Shroud, gear lever/parking brake	r&r	0.2	Common
15.19.04-02	Shroud, gear lever/parking brake	Renew	0.2	Common
15.19.05-01	Gear lever gaiter	r&r	0.1	Common
15.19.05-02	Gear lever gaiter	Renew	0.1	Common
15.19.06-02	Cover, rear	Renew	0.3	Common
15.19.07-01	Stowage pocket	r&r	0.1	Common
15.19.07-02	Stowage pocket	Renew	0.1	Common



ELISE

15.24

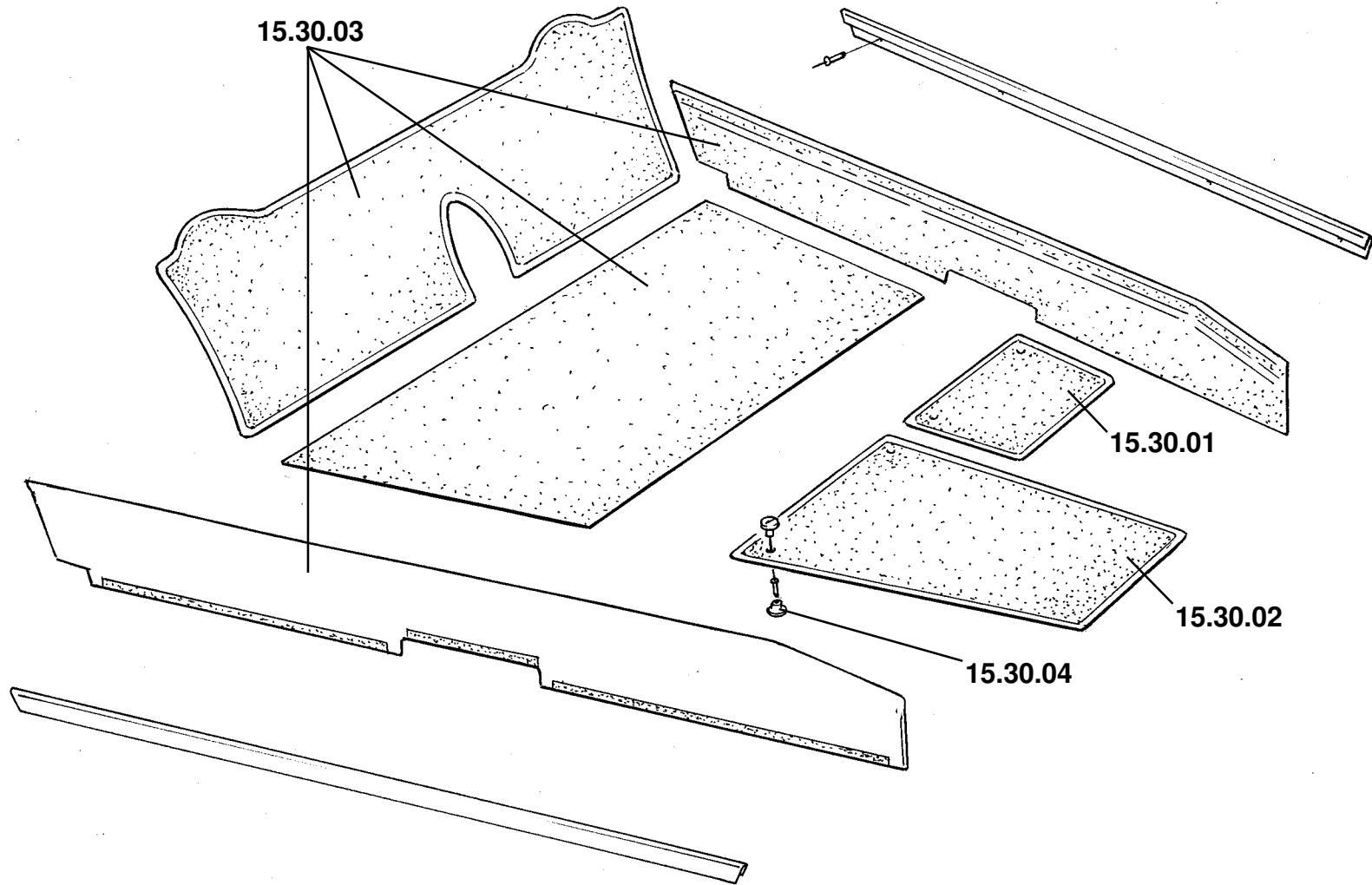


LOTUS ELISE 2004 TMC STANDARD LABOUR TIMES.

Function Area: 15.00 Interior Trim

Function Code: 15.24 Luggage Compartment Carpet

Operation Code	Description	Op Type	Hours	Derivative
15.24.01-01	Carpet, centre, luggage compartment	r&r	0.1	Common
15.24.01-02	Carpet, centre, luggage compartment	Renew	0.2	Common
15.24.08-01	Carpet, floor, luggage compartment	r&r	0.1	Common
15.24.08-02	Carpet, floor, luggage compartment	Renew	0.2	Common
15.24.09-01	Carpet, rear transom, luggage compartment (not illustrated)	r&r	0.1	Common
15.24.09-02	Carpet, rear transom, luggage compartment (not illustrated)	Renew	0.2	Common



ELISE

15.30

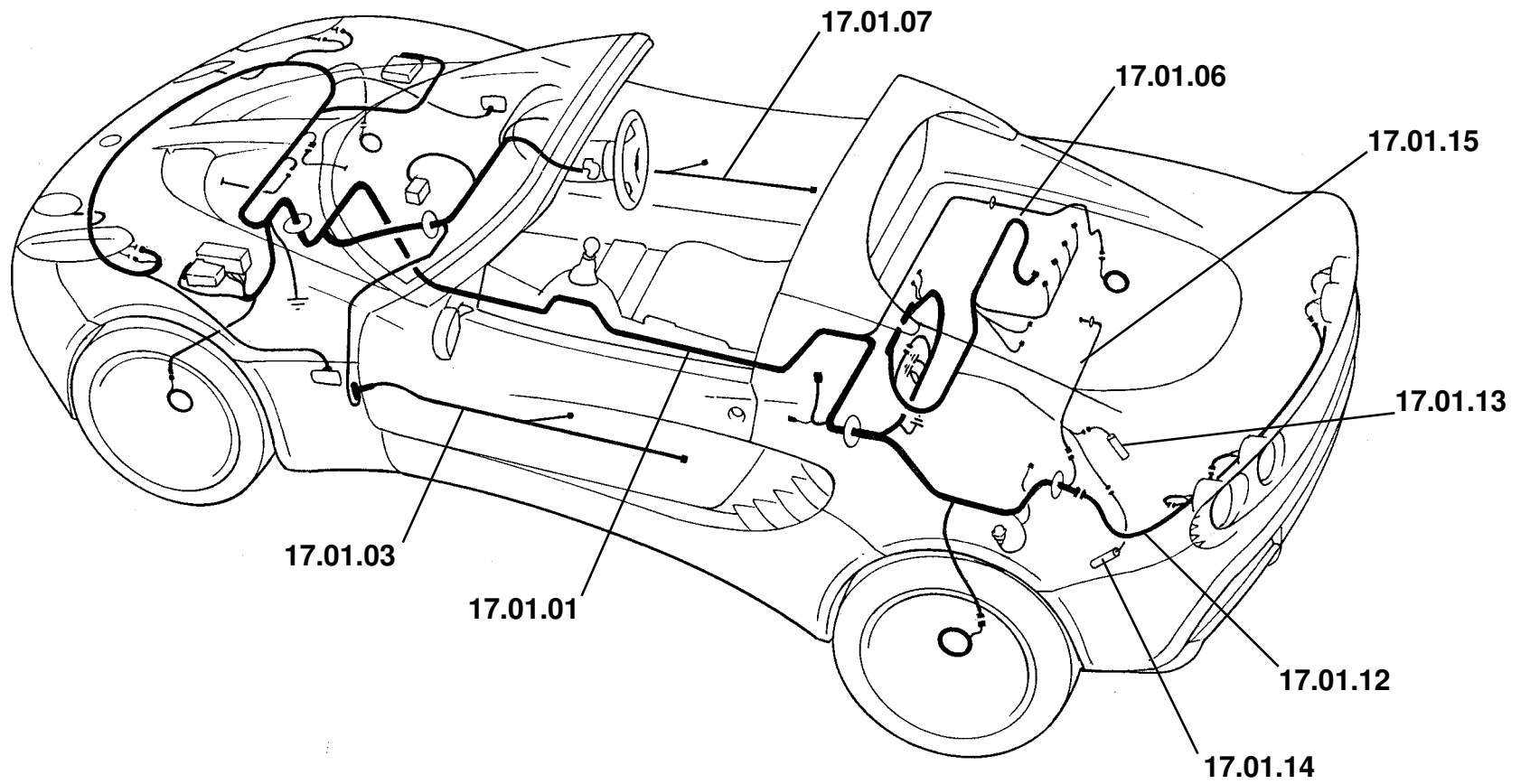


LOTUS ELISE 2004 TMC STANDARD LABOUR TIMES.

Function Area: 15.00 Interior Trim

Function Code: 15.30 Carpeting & Mats

Operation Code	Description	Op Type	Hours	Derivative
15.30.01-02	Floor mat, LH	Renew	0.2	Common
15.30.02-02	Floor mat, RH	Renew	0.2	Common
15.30.03-02	Carpet set (incl. seat removal)	Renew	1.8	Common
15.30.04-02	Carpet mat retaining lug (each)	Renew	0.2	Common



ELISE
17.01



LOTUS ELISE 2004 TMC STANDARD LABOUR TIMES.

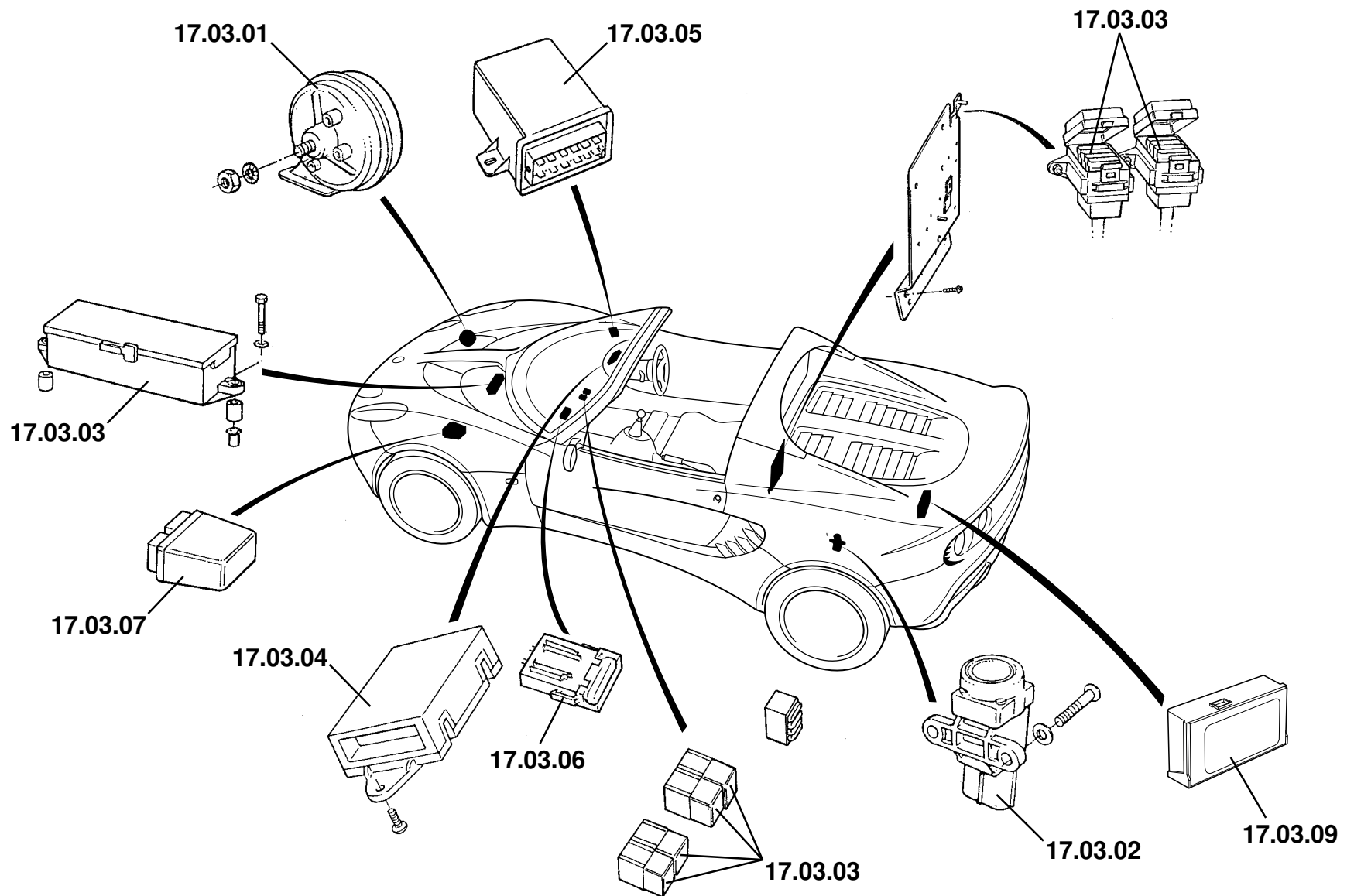
Function Area: 17.00 Electrical

Function Code: 17.01 Harnesses, Leads

Operation Code	Description	Op Type	Hours	Derivative
17.01.01-01	Harness, main/can link (remake connection + access time)	General	0.1	Common
17.01.01-02	Harness, main/can link	Renew	15.0	Common
17.01.03-01	Harness, door (remake connection + access time)	General	0.1	Common
17.01.03-02	Harness, door (each)	Renew	1.0	Common
17.01.06-02	Harness, fuel injectors (excl. chargecooler & fuel rail r&r, Exige S)	Renew	0.9	Common
17.01.07-01	Harness, electric window lift (remake connection + access time)	General	0.1	Common
17.01.07-02	Harness, electric window lift (each)	Renew	3.0	Common
17.01.08-01	Harness connector plug, main harness (+ access time)	General	0.1	Common
17.01.09-01	Harness connector plug, engine harness (+ access time)	General	0.1	Common
17.01.10-01	Harness connector plug, any fuel injectors (+ access time)	General	0.1	Common
17.01.11-01	Harness connector plug, any coil (+ access time)	General	0.1	Common
17.01.12-01	Harness, rear (remake connection + access time)	General	0.1	Common
17.01.12-02	Harness. rear lamp	Renew	0.3	Common
17.01.13-01	Harness connector, pre cat sensor (+ access time)	General	0.1	Common
17.01.14-01	Harness connector, post cat sensor (+ access time)	General	0.1	Common
17.01.15-01	Harness boot switch (remake connection + access time)	General	0.1	Common
17.01.15-02	Harness boot switch	Renew	0.2	Common
17.01.99-99	Please claim relevant trim time r&r ontop of remake connection			

Function Code: 17.01, Page: 1

Updated 17th November 2011



ELISE

17.03

Updated 8th April 2011

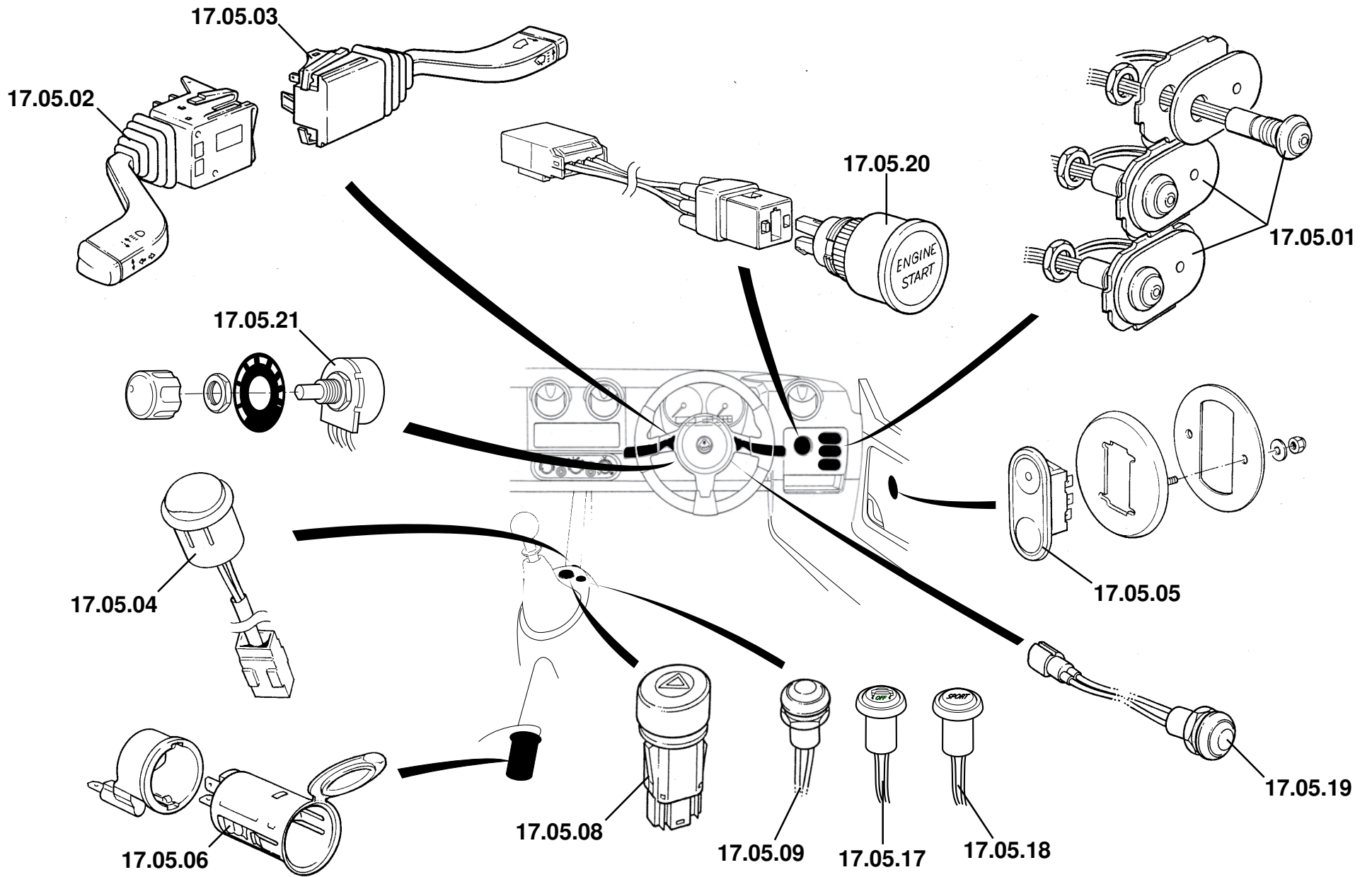


LOTUS ELISE 2004 TMC STANDARD LABOUR TIMES.

Function Area: 17.00 Electrical

Function Code: 17.03 Horn, Inertia Switch, Modules, Fuses & Relays

Operation Code	Description	Op Type	Hours	Derivative
17.03.01-01	Horn	r&r	0.4	Common
17.03.01-02	Horn	Renew	0.4	Common
17.03.02-02	Inertia switch	Renew	0.4	Common
17.03.03-02	Fuses & relays (any)	Renew	0.1	Common
17.03.04-02	Switch controller (includes steering cowling and r&r)	Renew	0.9	Common
17.03.05-02	CDL module (includes dash top r&r)	Renew	2.7	Common
17.03.06-02	Maxi fuse/engine fuses (includes dash top r&r)	Renew	2.7	Common
17.03.07-02	Fan control module	Renew	0.2	Common
17.03.09-01	TPMS module	r&r	0.2	Optional
17.03.09-02	TPMS module	Renew	0.2	Optional



ELISE
17.05

Updated 8th April 2011



LOTUS ELISE 2004 TMC STANDARD LABOUR TIMES.

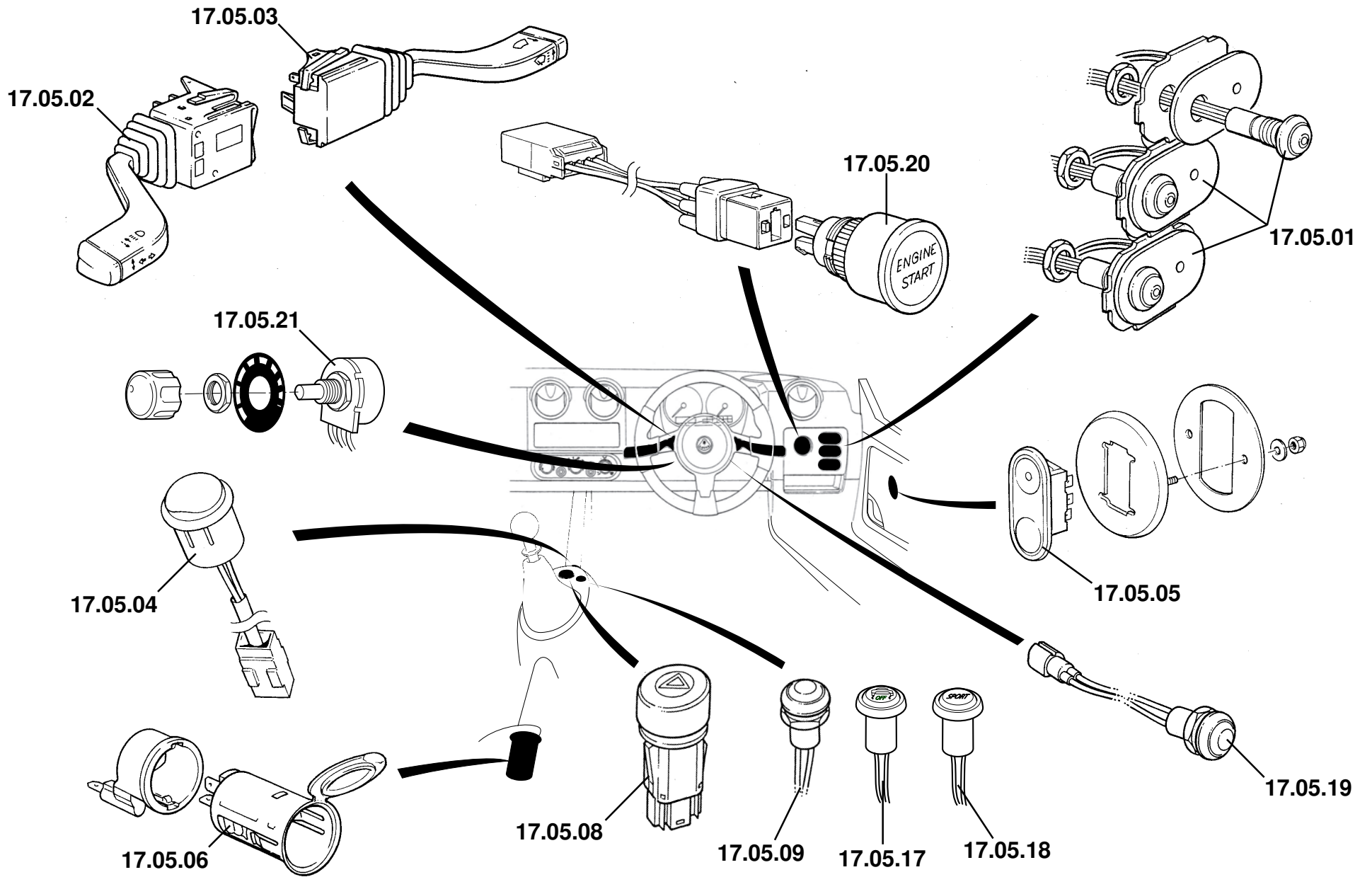
Function Area: 17.00 Electrical

Function Code: 17.05 Interior Switches, Auxiliary Power Socket

Operation Code	Description	Op Type	Hours	Derivative
17.05.01-01	Fascia lighting switches (any)	r&r	0.2	Common
17.05.01-02	Fascia lighting switches (any)	Renew	0.2	Common
17.05.02-01	Indicators/dipswitch	r&r	0.4	Common
17.05.02-02	Indicators/dipswitch	Renew	0.4	Common
17.05.03-01	Wash/wipe switch	r&r	0.4	Common
17.05.03-02	Wash/wipe switch	Renew	0.4	Common
17.05.04-01	Switch, central door locking	r&r	0.2	Common
17.05.04-02	Switch, central door locking	Renew	0.2	Common
17.05.05-01	Switch, electric window lift (each)	r&r	0.4	Common
17.05.05-02	Switch, electric window lift (each)	Renew	0.4	Common
17.05.06-01	Auxillary power socket	r&r	0.2	Common
17.05.06-02	Auxillary power socket	Renew	0.2	Common
17.05.07-01	Ignition switch (not illustrated)	r&r	1.0	Common
17.05.07-02	Ignition switch (not illustrated)	Renew	1.0	Common
17.05.08-01	Harzard light switch	r&r	0.1	Common
17.05.08-02	Harzard light switch	Renew	0.1	Common
17.05.09-01	Traction control off switch (on gear lever shroud)	r&r	0.3	Common
17.05.09-02	Traction control off switch (on gear lever shroud)	Renew	0.3	Common
17.05.17-01	Switch, Lotus DPM	r&r	0.3	Common
17.05.17-02	Switch, Lotus DPM	Renew	0.3	Common
17.05.18-01	Switch, Sport	r&r	0.3	Common
17.05.18-02	Switch, Sport	Renew	0.3	Common
17.05.19-01	Switch, panel light dimmer/instrument cluster display	r&r	0.3	Common
17.05.19-02	Switch, panel light dimmer/instrument cluster display	Renew	0.3	Common
17.05.20-01	Switch, engine start	r&r	0.5	Common

Function Code: 17.05, Page: 1

Updated 8th April 2011



ELISE
17.05

Updated 8th April 2011

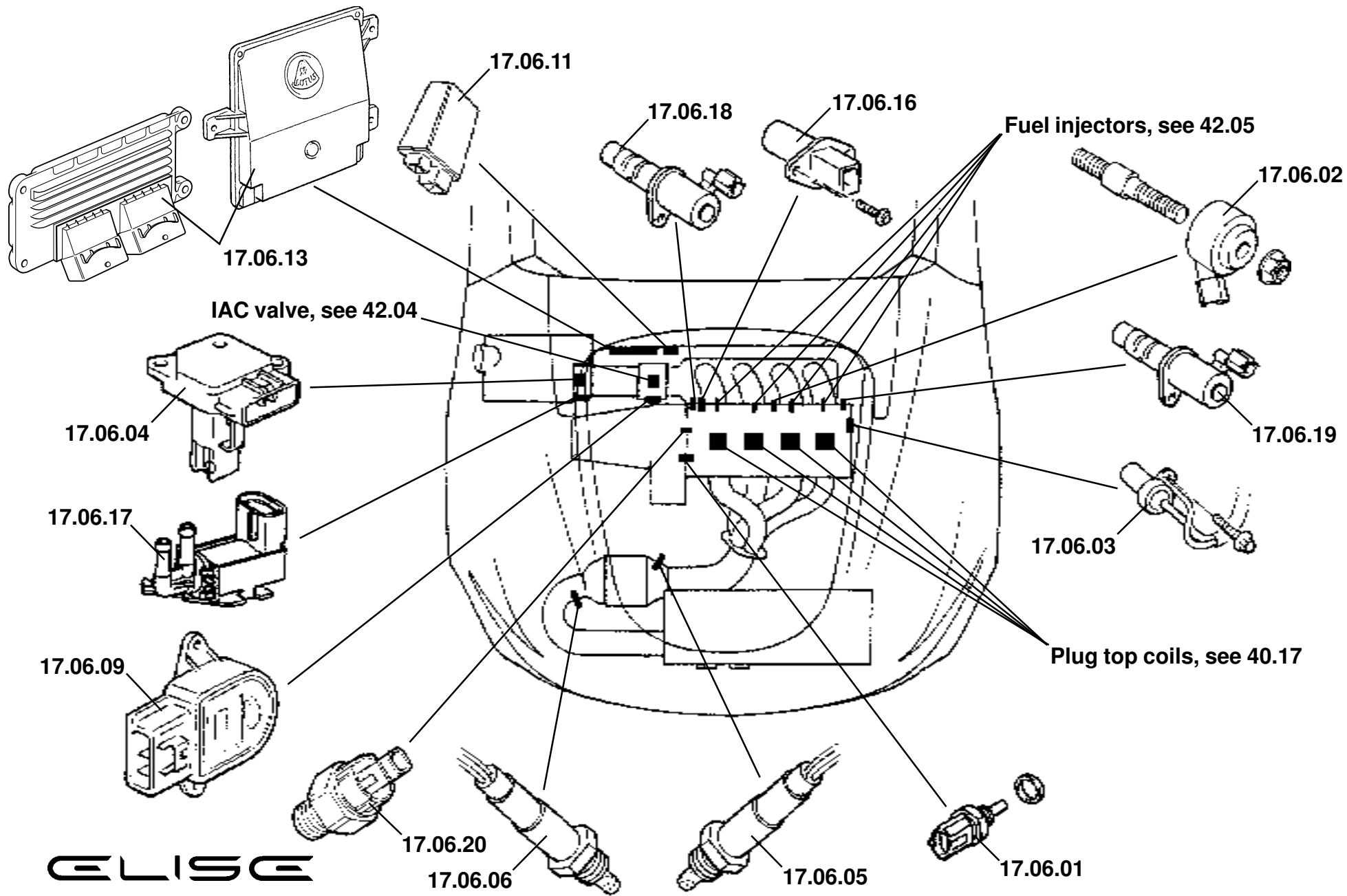


LOTUS ELISE 2004 TMC STANDARD LABOUR TIMES.

Function Area: 17.00 Electrical

Function Code: 17.05 Interior Switches, Auxiliary Power Socket

Operation Code	Description	Op Type	Hours	Derivative
17.05.20-02	Switch, engine start	Renew	0.5	Common
17.05.21-01	Switch, variable traction control (on column shroud)	r&r	0.3	Common
17.05.21-02	Switch, variable traction control (on column shroud)	Renew	0.3	Common



ELISE
17.06

Updated 8th April 2011



LOTUS ELISE 2004 TMC STANDARD LABOUR TIMES.

Function Area: 17.00 Electrical

Function Code: 17.06 Engine Management & Sensors

Operation Code	Description	Op Type	Hours	Derivative
17.06.01-02	Engine coolant temperature sensor	Renew	0.3	Common
17.06.02-02	Knock control sensor	Renew	4.0	Common
17.06.03-02	Crankshaft position sensor	Renew	1.3	Common
17.06.04-02	Mass airflow meter	Renew	0.5	Common
17.06.05-02	Oxygen sensor (O2 sensor) pre-cat	Renew	0.8	Common
17.06.06-02	Oxygen sensor (O2 sensor) post-cat	Renew	0.8	Common
17.06.09.02	Throttle position sensor (TPS)	Renew	0.3	Common
17.06.11-02	Relay module (multi function unit)	Renew	0.4	Common
17.06.13-01	Electronic control unit (ECM)	r&r	0.3	Common
17.06.13-02	Electronic control unit (ECM, includes ECM matching)	Renew	0.3	Common
17.06.16-02	Camshaft position sensor (1/both) (excl. chargecooler r&r, Exige S)	Renew	0.3	Common
17.06.17-02	Air box vacuum valve	Renew	0.5	Common
17.06.18-02	Oil control valve, VVTL (lift)	Renew	0.4	1ZZ/2ZZ only
17.06.19-02	Oil control valve, VVTL (timing) (excl. inlet manifold r&r, Exige S)	Renew	0.4	1ZZ/2ZZ only
17.06.20-99	See 40.07 for control valves (1ZR engines)			
17.06.20.02	Oil pressure sensor (VVTL)	Renew	0.3	1ZZ/2ZZ only
17.06.21-00	Check/reset fault codes and or MIL light + print diagnostic report	Test/reset	0.2	Common
17.06.24-02	T-MAP sensor (on chargecooler, not illustrated)	Renew	0.2	Exige/option
17.06.25-02	One way valve, flap valve vac. hose (not illustrated)	Renew	0.3	Common
17.06.27-00	Download new ECM programm with Tech Centre	Test/reset	0.3	Common

Function Code: 17.06, Page: 1

Updated 14th December 2011

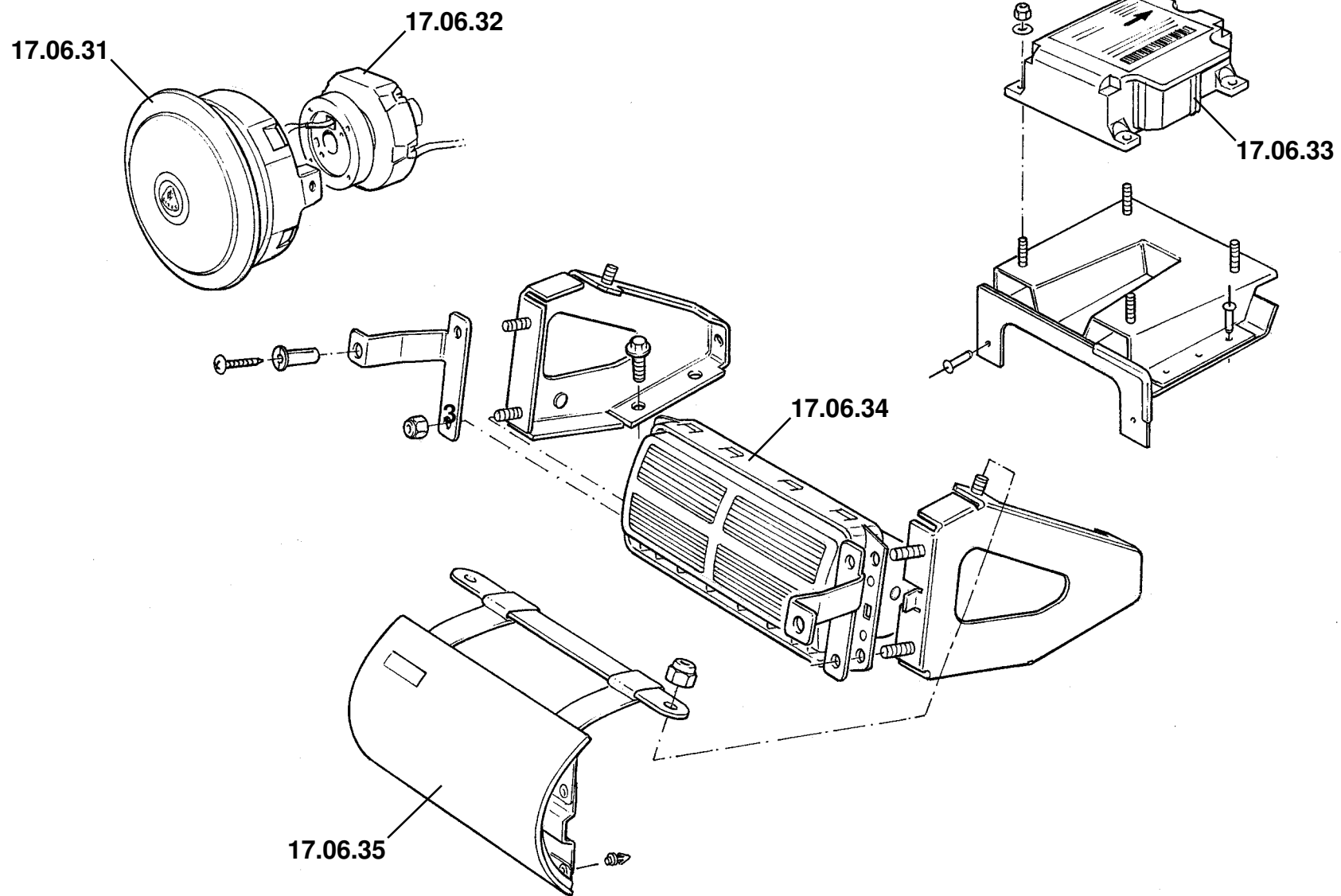


LOTUS ELISE 2004 TMC STANDARD LABOUR TIMES.

Function Area: 17.00 Electrical

Function Code: 17.06 Engine Management & Sensors

Operation Code	Description	Op Type	Hours	Derivative
17.06.30.01				
17.06.31-00	Check/reset fault code & print diagnostic report	Test/reset	0.2	'08MY common
17.06.31-01	Airbag, driver	r&r	0.5	'08MY common
17.06.31-02	Airbag, driver	Renew	0.5	'08MY common
17.06.32-01	Rotary contact unit, SIR wheel	r&r	1.0	'08MY common
17.06.32-02	Rotary contact unit, SIR wheel	Renew	1.0	'08MY common
17.06.33-01	SRS unit	r&r	2.0	'08MY common
17.06.33-02	SRS unit	Renew	2.0	'08MY common
17.06.34-01	Airbag unit, passenger	r&r	2.0	'08MY common
17.06.34-02	Airbag unit, passenger	Renew	2.0	'08MY common
17.06.35-02	Cover assembly, passenger airbag	Renew	0.3	'08MY common
17.06.99-99	Note, please refer to section WD in the 111R service notes.			



ELISE

17.06

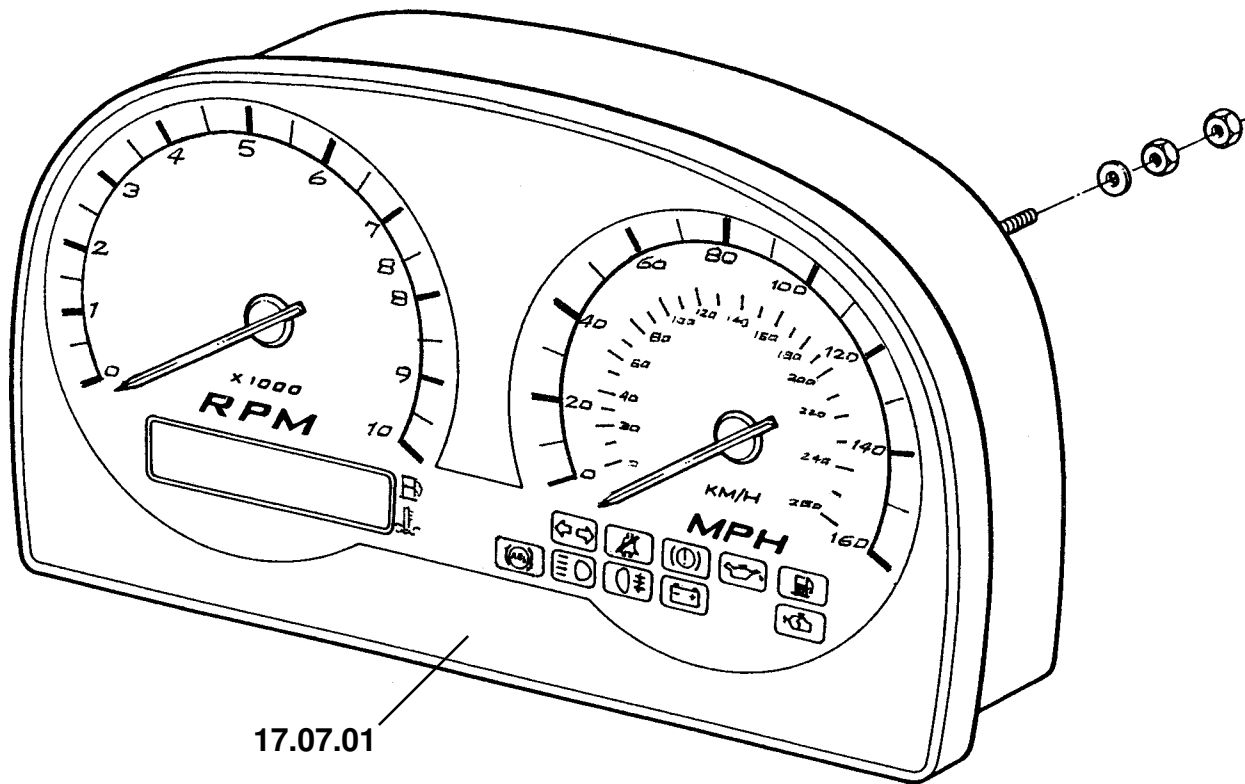


LOTUS ELISE 2004 TMC STANDARD LABOUR TIMES.

Function Area: 17.00 Electrical

Function Code: 17.06 SIR Inflator Modules, DERM & Sensors

Operation Code	Description	Op Type	Hours	Derivative
17.06.31-00	Check/reset fault code & print diagnostic report	Test/reset	0.2	'08MY common
17.06.31-01	Airbag, driver	r&r	0.5	'08MY common
17.06.31-02	Airbag, driver	Renew	0.5	'08MY common
17.06.32-01	Rotary contact unit, SIR wheel	r&r	1.0	'08MY common
17.06.32-02	Rotary contact unit, SIR wheel	Renew	1.0	'08MY common
17.06.33-01	SRS unit	r&r	2.0	'08MY common
17.06.33-02	SRS unit	Renew	2.0	'08MY common
17.06.34-01	Airbag unit, passenger	r&r	2.0	'08MY common
17.06.34-02	Airbag unit, passenger	Renew	2.0	'08MY common
17.06.35-02	Cover assembly, passenger airbag	Renew	0.3	'08MY common
17.06.99-99	Note, please refer to section WD in the 111R service notes.			



17.07.01

ELISE

17.07

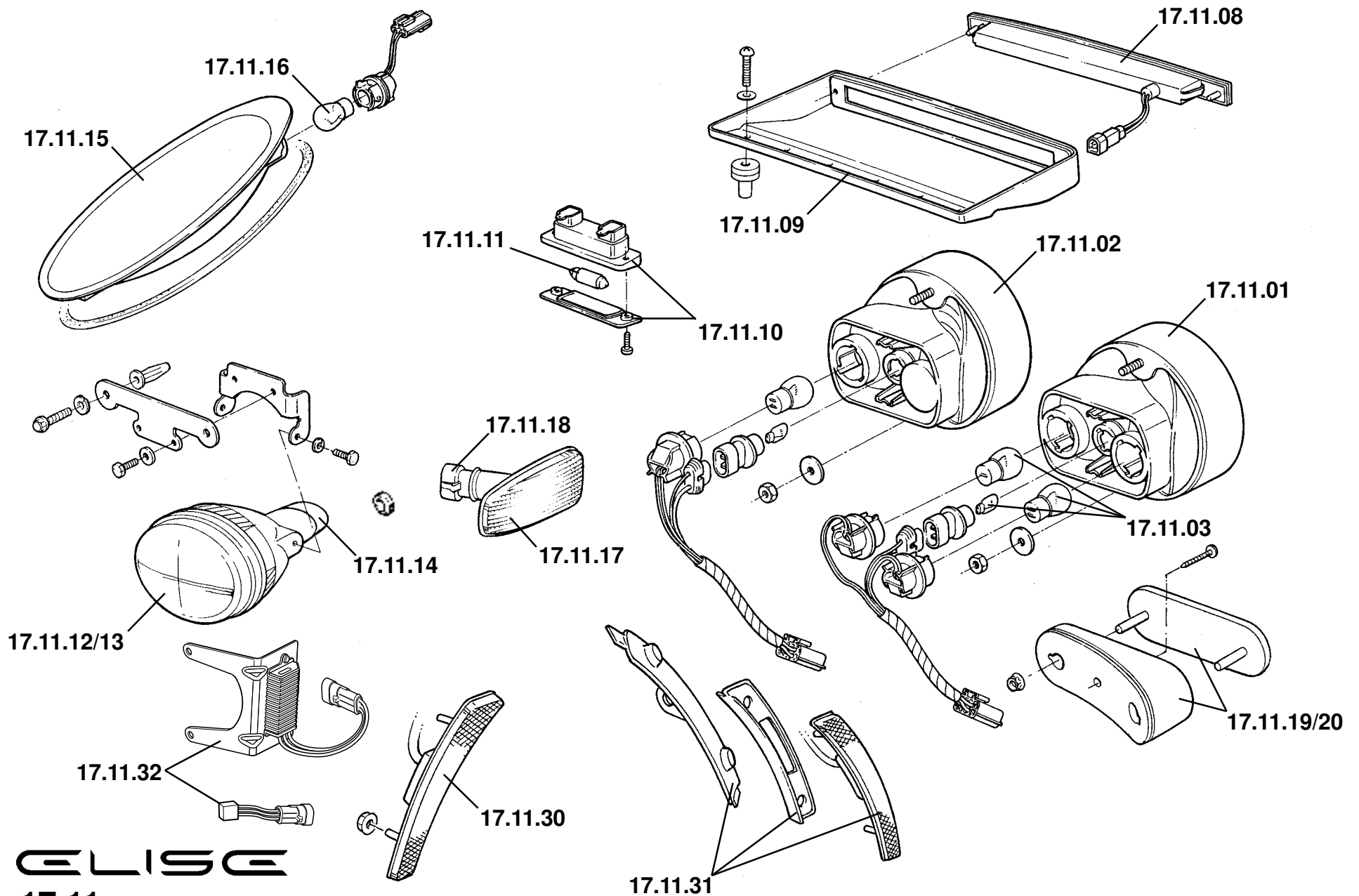


LOTUS ELISE 2004 TMC STANDARD LABOUR TIMES.

Function Area: 17.00 Electrical

Function Code: 17.07 Instruments, Tell Tales, & Displays

Operation Code	Description	Op Type	Hours	Derivative
17.07.01-01	Instrument pack (Includes variant coding on cars BH_10931 on)	r&r	0.5	Common
17.07.01-02	Instrument pack (Includes variant coding on cars BH_10931 on)	Renew	0.5	Common



ELISE
17.11

Updated 6th July 2011



LOTUS ELISE 2004 TMC STANDARD LABOUR TIMES.

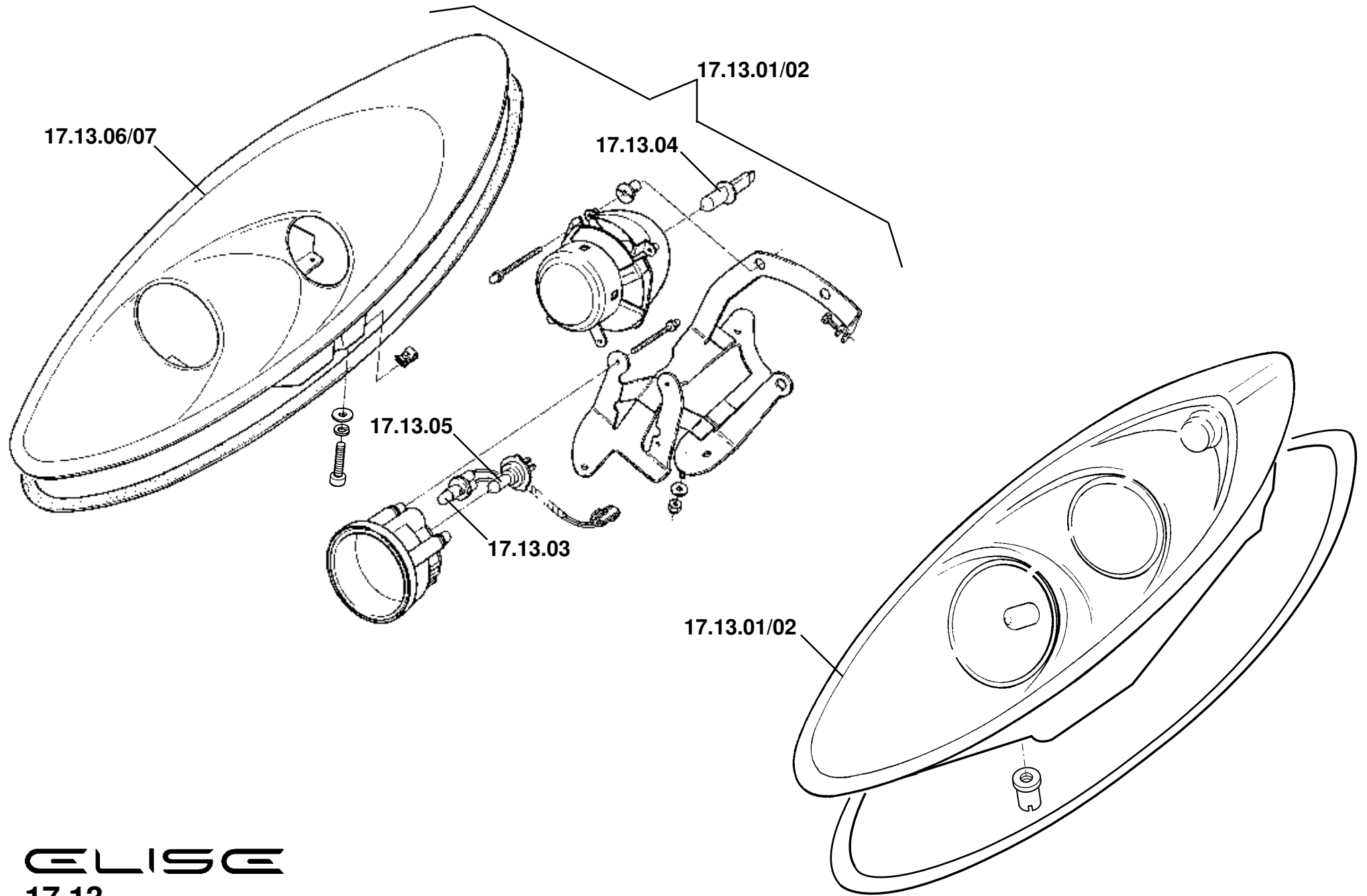
Function Area: 17.00 Electrical

Function Code: 17.11 Exterior Lamps, Except Headlamps

Operation Code	Description	Op Type	Hours	Derivative
17.11.01-02	Lamp, outer, stop/tail, direction indicator	Renew	0.2	Common
17.11.02-02	Lamp, inner, tail, rear fog, reverse	Renew	0.2	Common
17.11.03-02	Bulb, stop & tail, indicator or reverse	Renew	0.1	Common
17.11.08-02	Lamp, CHMSL	Renew	0.2	Common
17.11.09-01	Lamp CHMSL housing	r&r	0.1	Common
17.11.09-02	Lamp CHMSL housing	Renew	0.7	Common
17.11.10-02	Lamp, license plate	Renew	0.2	Common
17.11.11-02	Bulb, license plate	Renew	0.1	Common
17.11.12-02	Driving lamp, LH	Renew	0.8	Common
17.11.13-02	Driving lamp, RH	Renew	0.8	Common
17.11.14-02	Bulb, driving lamp	Renew	0.8	Common
17.11.15-02	Lamp, direction indicator, front	Renew	0.2	Common
17.11.16-02	Bulb, direction indicator, front	Renew	0.2	Common
17.11.17-02	Lamp, side repeater	Renew	0.2	Common
17.11.18-02	Bulb, side repeater	Renew	0.1	Common
17.11.19-02	Rear grille reflector, LH	Renew	0.1	Common
17.11.20-02	Rear grille reflector, RH	Renew	0.1	Common
17.11.30-01	Lamp, side marker, front	r&r	0.2	USA/Canada
17.11.30-02	Lamp, side marker, front	Renew	0.2	USA/Canada
17.11.31-01	Lamp, side marker, rear	r&r	0.2	USA/Canada
17.11.31-02	Lamp, side marker, rear	Renew	0.2	USA/Canada
17.11.32-01	Ballast module, turn signal	r&r	0.2	USA/Canada
17.11.32-02	Ballast module, turn signal	Renew	0.2	USA/Canada

Function Code: 17.11, Page: 1

Updated 6th July 2011



ELISE
17.13

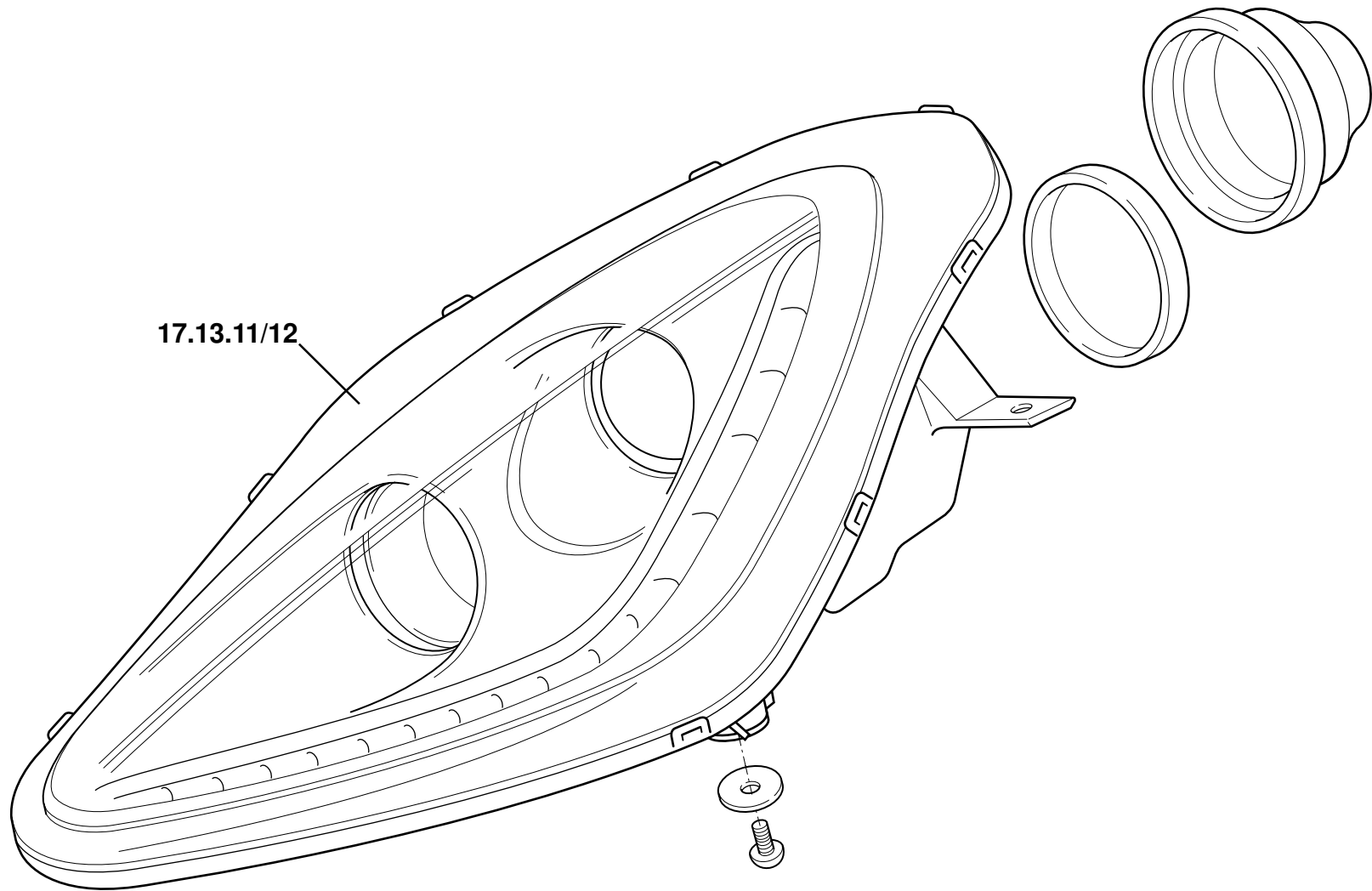


LOTUS ELISE 2004 TMC STANDARD LABOUR TIMES.

Function Area: 17.00 Electrical

Function Code: 17.13 Headlamps

Operation Code	Description	Op Type	Hours	Derivative
17.13.01-00	Headlamp assy, LH	Adjust	0.2	Common
17.13.01-01	Headlamp assy, LH	r&r	0.5	Common
17.13.01-02	Headlamp assy, LH	Renew	0.5	Common
17.13.02-00	Headlamp assy, RH	Adjust	0.2	Common
17.13.02-01	Headlamp assy, RH	r&r	0.5	Common
17.13.02-02	Headlamp assy, RH	Renew	0.5	Common
17.13.03-02	Bulb, sidelamp	Renew	0.2	Common
17.13.04-02	Bulb, main beam	Renew	0.2	Common
17.13.05-02	Bulb, dipped beam	Renew	0.2	Common
17.13.06-01	Headlamp cover, LH	r&r	0.3	Common
17.13.06-02	Headlamp cover, LH	Renew	0.3	Common
17.13.07-01	Headlamp cover, RH	r&r	0.3	Common
17.13.07-02	Headlamp cover, RH	Renew	0.3	Common



17.13.11/12

ELISE

17.13

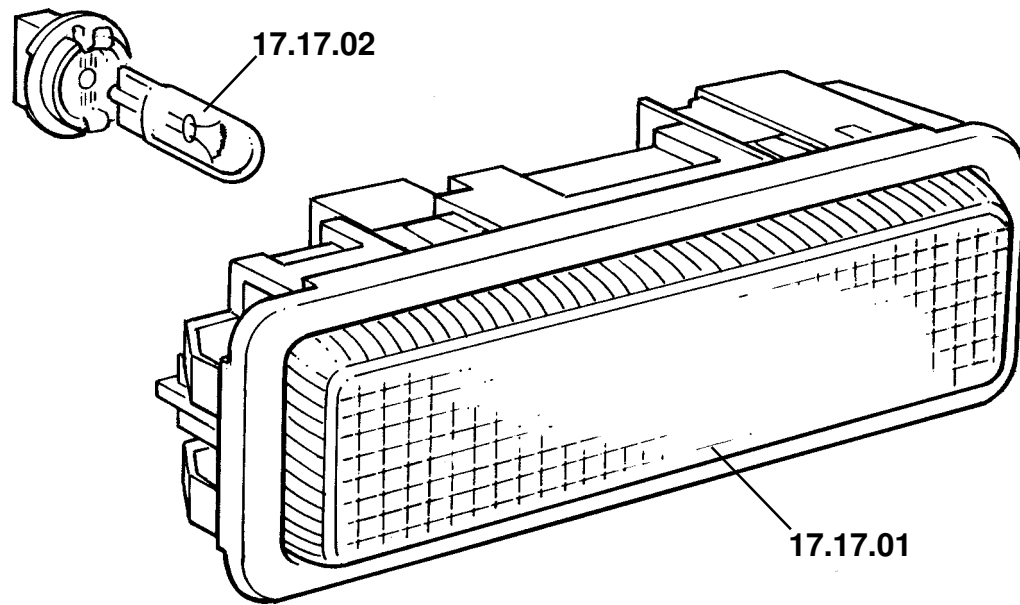


LOTUS ELISE 2011 MY STANDARD LABOUR TIMES.

Function Area: 17.00 Electrical

Function Code: 17.13 Headlamps

Operation Code	Description	Op Type	Hours	Derivative
17.13.11-01	Headlamp/indicator assembly, LH (incl. headlamp aim)	r&r	0.7	
17.13.11-02	Headlamp/indicator assembly, LH (incl. headlamp aim)	Renew	0.7	
17.13.12-01	Headlamp/indicator assembly, RH (incl. headlamp aim)	r&r	0.7	
17.13.12-02	Headlamp/indicator assembly, RH (incl. headlamp aim)	Renew	0.7	



ELISE
17.17

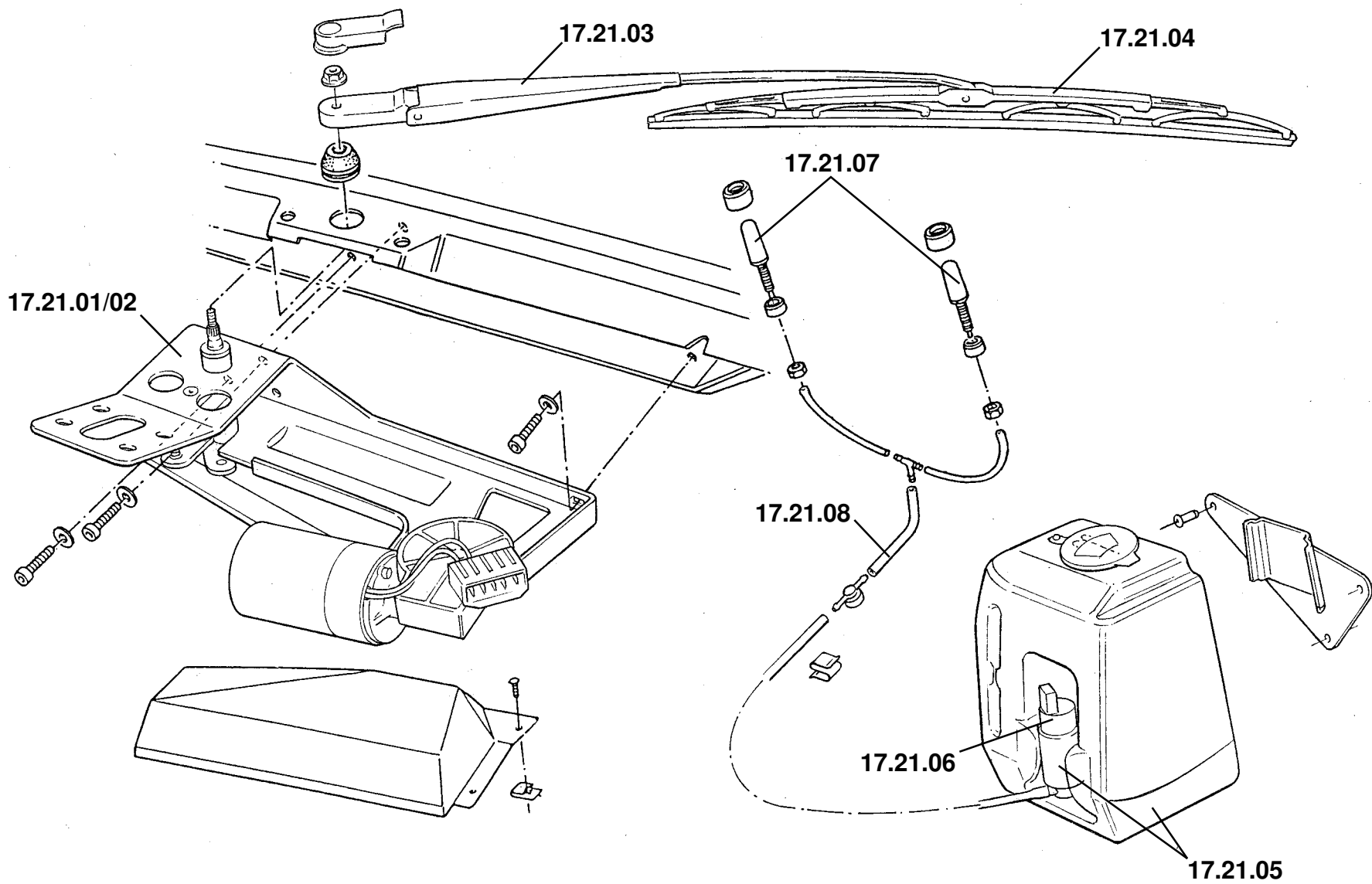


LOTUS ELISE 2004 TMC STANDARD LABOUR TIMES.

Function Area: 17.00 Electrical

Function Code: 17.17 Interior Lamps

Operation Code	Description	Op Type	Hours	Derivative
17.17.01-02	Interior lamp	Renew	0.1	Common
17.17.02-02	Bulb, interior lamp	Renew	0.1	Common



ELISE
17.21

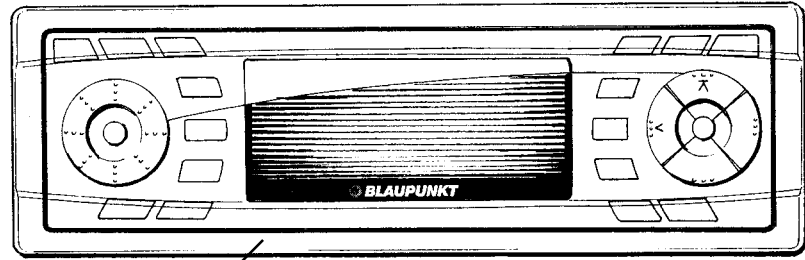


LOTUS ELISE 2004 TMC STANDARD LABOUR TIMES.

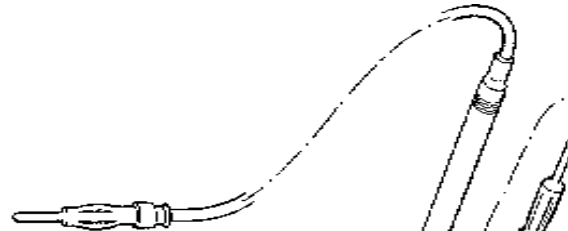
Function Area: 17.00 Electrical

Function Code: 17.21 Windscreen Wiper Motor, Wipers & Washers

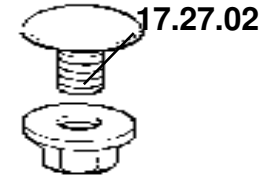
Operation Code	Description	Op Type	Hours	Derivative
17.21.01-01	Wiper assembly	r&r	2.0	Elise only
17.21.01-02	Wiper assembly	Renew	2.0	Elise only
17.21.02-01	Wiper assembly including clam r&r	r&r	4.0	Exige only
17.21.02-02	Wiper assembly including clam r&r	Renew	4.0	Exige only
17.21.03-02	Wiper arm	Renew	0.2	Common
17.21.04-02	Wiper blade	Renew	0.2	Common
17.21.05-02	Washer bottle and pump assembly	Renew	0.2	Common
17.21.06-02	Washer pump	Renew	0.2	Common
17.21.07-02	Washer jet	Renew	0.2	Common
17.21.08-02	Washer pipe	Renew	1.0	Common



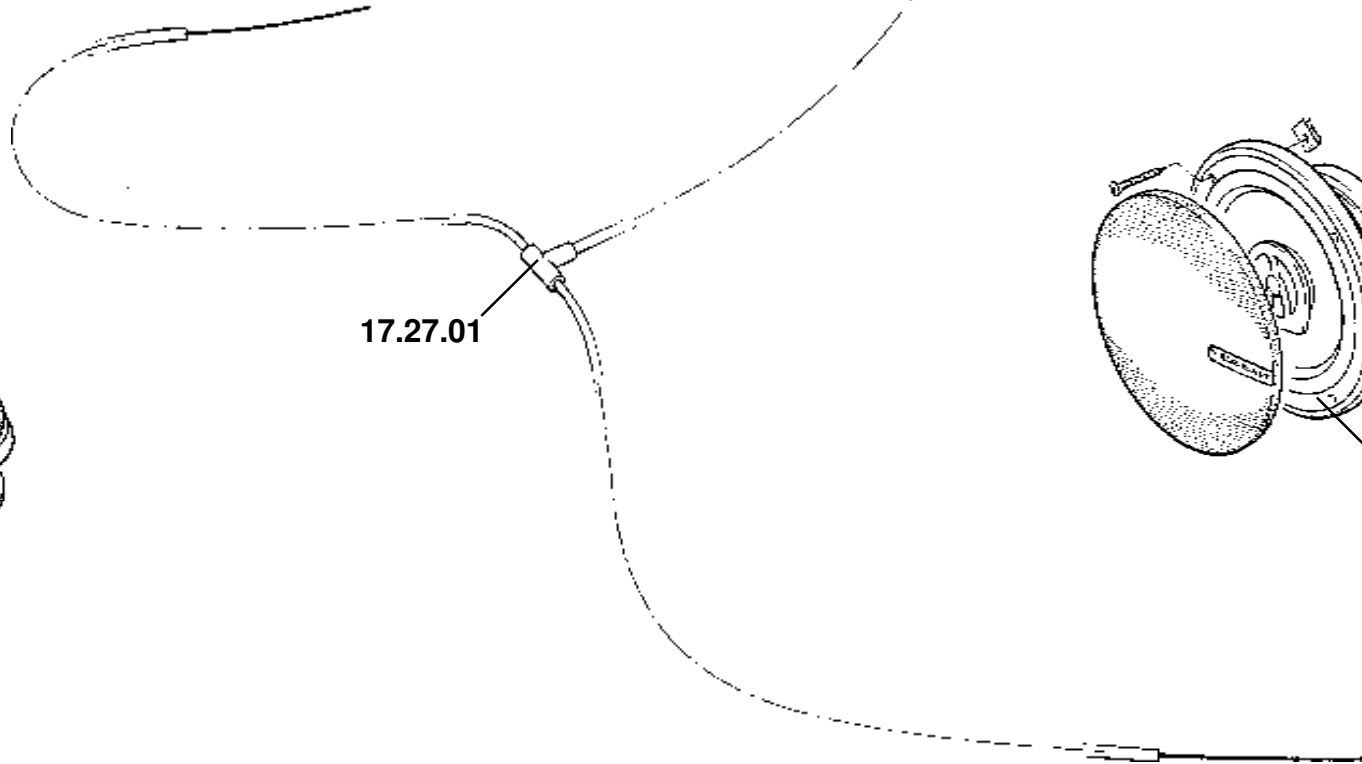
17.27.05



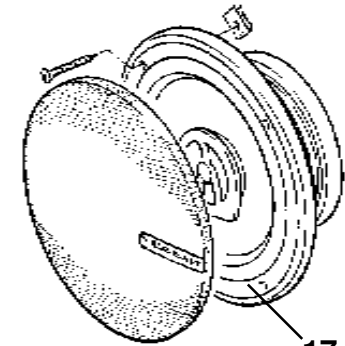
17.27.03



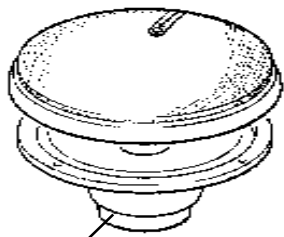
17.27.02



17.27.01



17.27.04



17.27.06

ELISE
17.27

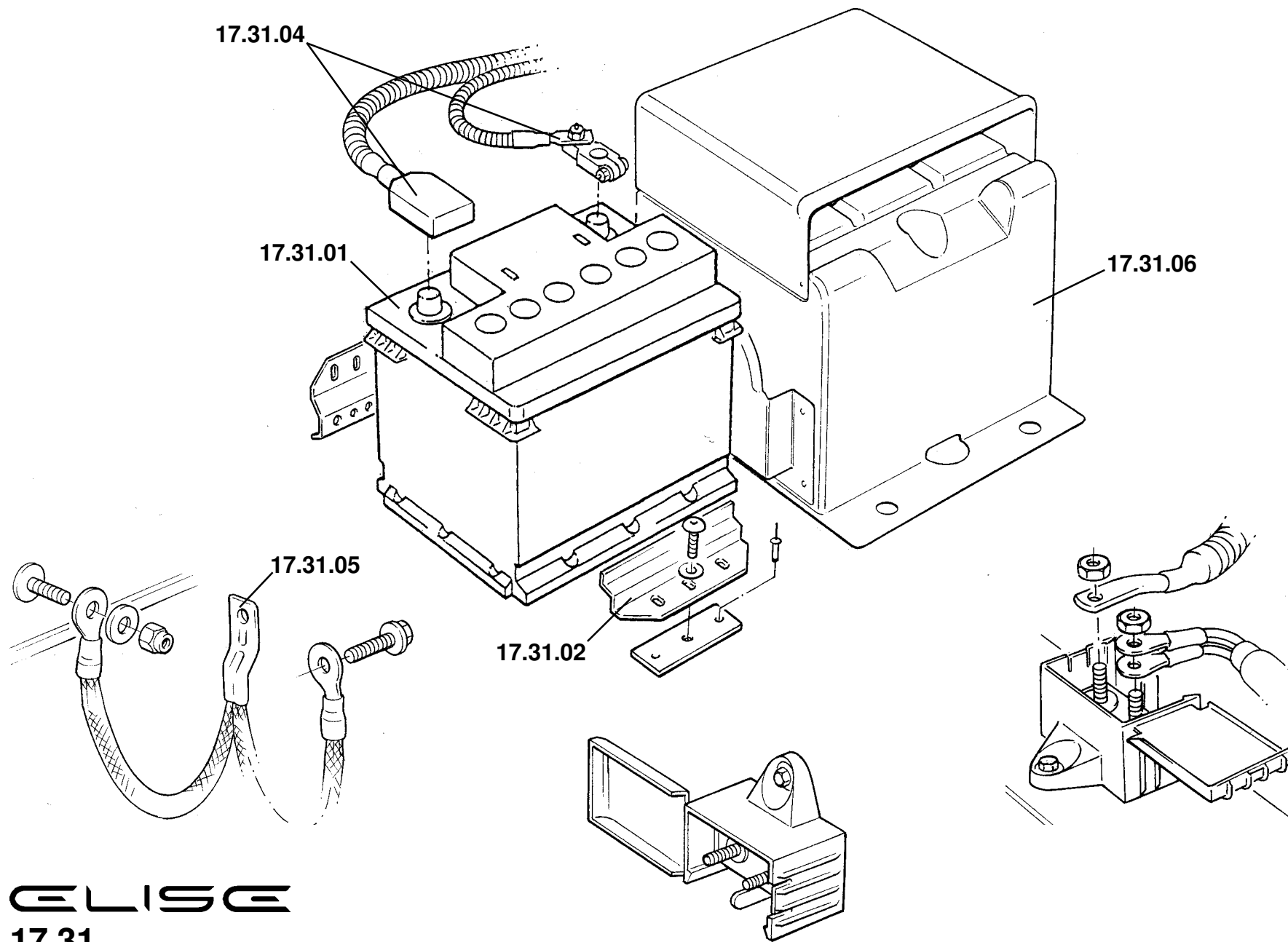


LOTUS ELISE 2004 TMC STANDARD LABOUR TIMES.

Function Area: 17.00 Electrical

Function Code: 17.27 In Car Entertainment

Operation Code	Description	Op Type	Hours	Derivative
17.27.01-02	Di pole antenna (including clam removal)	Renew	3.0	Common
17.27.02-02	Blanking plug, engine cover	Renew	0.1	Common
17.27.03-01	Cable, aerial co-axial extension	r&r	0.7	Common
17.27.03-02	Cable, aerial co-axial extension	Renew	0.7	Common
17.27.04-01	Speaker, rear, LH or RH	r&r	0.5	Common
17.27.04-02	Speaker, rear, LH or RH	Renew	0.5	Common
17.27.05-01	Audio unit	r&r	0.3	Common
17.27.05-02	Audio unit	Renew	0.3	Common
17.27.06-01	Speaker, front, LH or RH	r&r	0.3	Common
17.27.06-02	Speaker, front, LH or RH	Renew	0.3	Common



ELISE
17.31

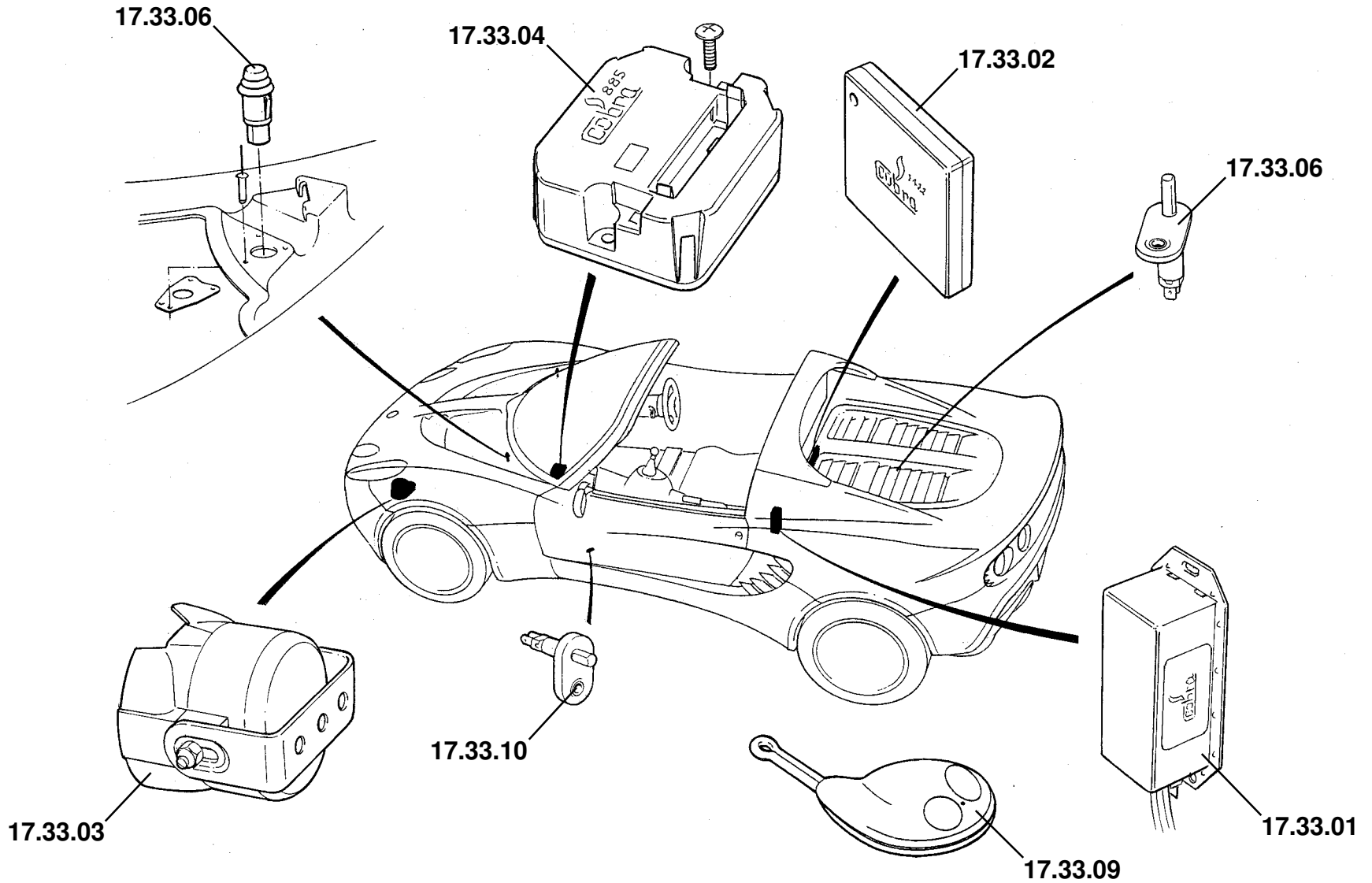


LOTUS ELISE 2004 TMC STANDARD LABOUR TIMES.

Function Area: 17.00 Electrical

Function Code: 17.31 Battery, Clamps, & Cables

Operation Code	Description	Op Type	Hours	Derivative
17.31.01-01	Battery	r&r	0.2	Common
17.31.01-02	Battery	Renew	0.2	Common
17.31.02-01	Battery clamp	r&r	0.1	Common
17.31.02-02	Battery clamp	Renew	0.1	Common
17.31.03-01	Auxillary battery posts (not illustrated)	r&r	0.3	Exige only
17.31.03-02	Auxillary battery posts (not illustrated)	Renew	0.5	Exige only
17.31.04-01	Battery harness, terminal	r&r	0.4	Common
17.31.04-02	Battery harness, terminal	Renew	0.4	Common
17.31.05-01	Earth braid, chassis to transmission	r&r	0.3	Common
17.31.05-02	Earth braid, chassis to transmission	Renew	0.3	Common
17.31.06-01	Battery cover/handbook holder	r&r	0.1	Common
17.31.06-02	Battery cover/handbook holder	Renew	0.1	Common



ELISE

17.33

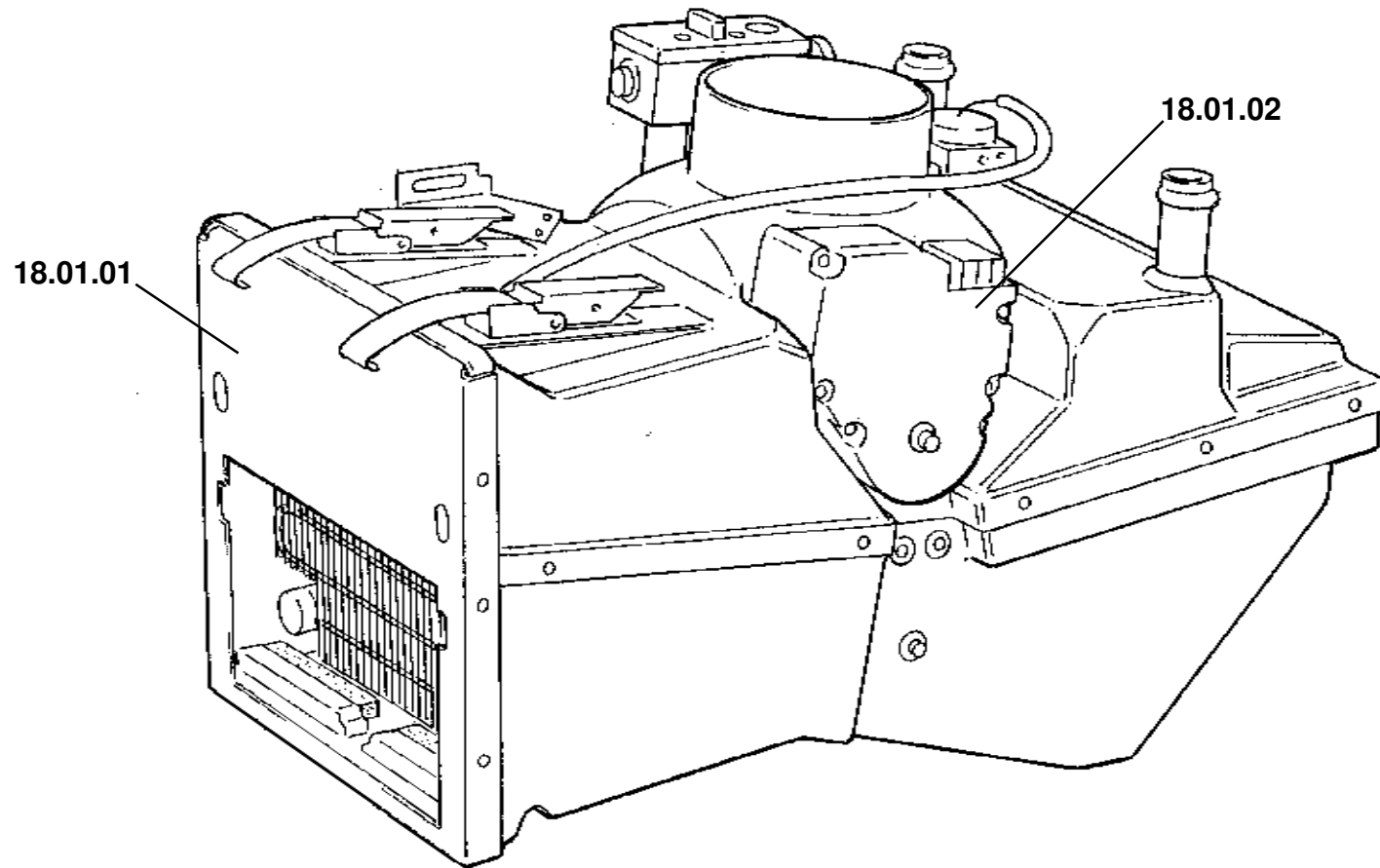


LOTUS ELISE 2004 TMC STANDARD LABOUR TIMES.

Function Area: 17.00 Electrical

Function Code: 17.33 Security Alarm System, Parking Sensors & Camera

Operation Code	Description	Op Type	Hours	Derivative
17.33.01-02	Immobiliser module (including back panel r&r)	Renew	1.2	Common
17.33.02-02	Microwave sensor (including back panel r&r)	Renew	1.3	Common
17.33.03-02	Siren unit (including clamshell r&r)	Renew	2.5	Common
17.33.04-02	Alarm controller (including dashboard r&r)	Renew	3.0	Common
17.33.06-02	Microswitch, front & rear (each)	Renew	0.1	Common
17.33.07-01	Tracker unit, (not illustrated.)	r&r	0.5	Common
17.33.07-02	Tracker unit, (not illustrated.)	Renew	0.5	Common
17.33.08-01	Tracker unit, battery, (not illustrated)	r&r	0.5	Common
17.33.08-02	Tracker unit, battery, (not illustrated)	Renew	0.5	Common
17.33.09-02	Alarm fob, Transmitter/re-code alarm system	Renew	0.1	Common
17.33.10-01	Microswitch door (each)	r&r	0.1	Common
17.33.10-02	Microswitch door (each)	Renew	0.1	Common



ELISE
18.01

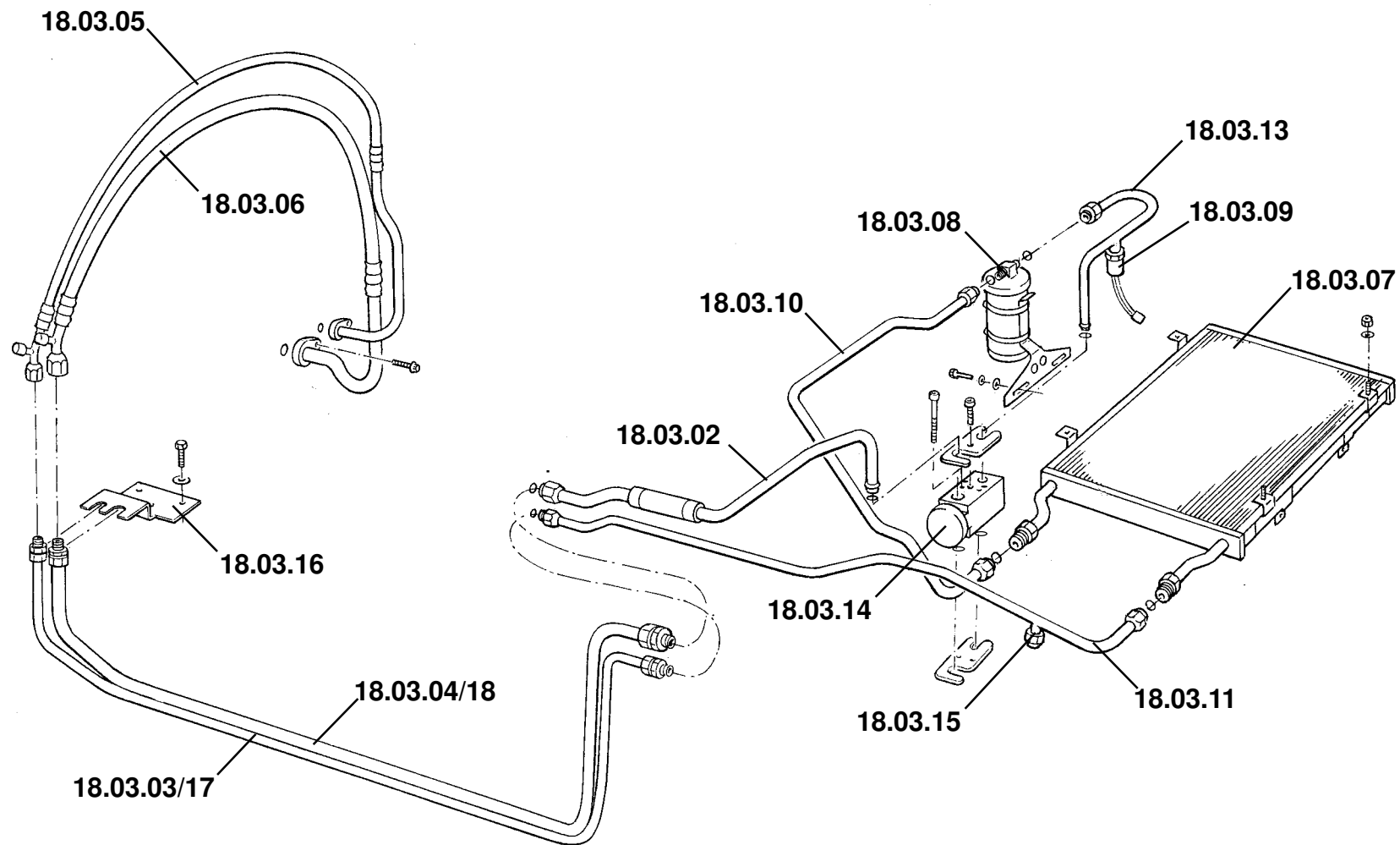


LOTUS ELISE 2004 TMC STANDARD LABOUR TIMES.

Function Area: 18.00 Heating, Ventilation, Air Conditioning

Function Code: 18.01 Heater/ Air Conditioning Assemblies, Housings

Operation Code	Description	Op Type	Hours	Derivative
18.01.01-01	Heater/AC housing assembly	r&r	6.0	Common
18.01.01-02	Heater/AC housing assembly	Renew	7.0	Common
18.01.02-02	Actuator, heater/AC flaps	Renew	7.0	Common



ELISE

18.03



LOTUS ELISE 2004 TMC STANDARD LABOUR TIMES.

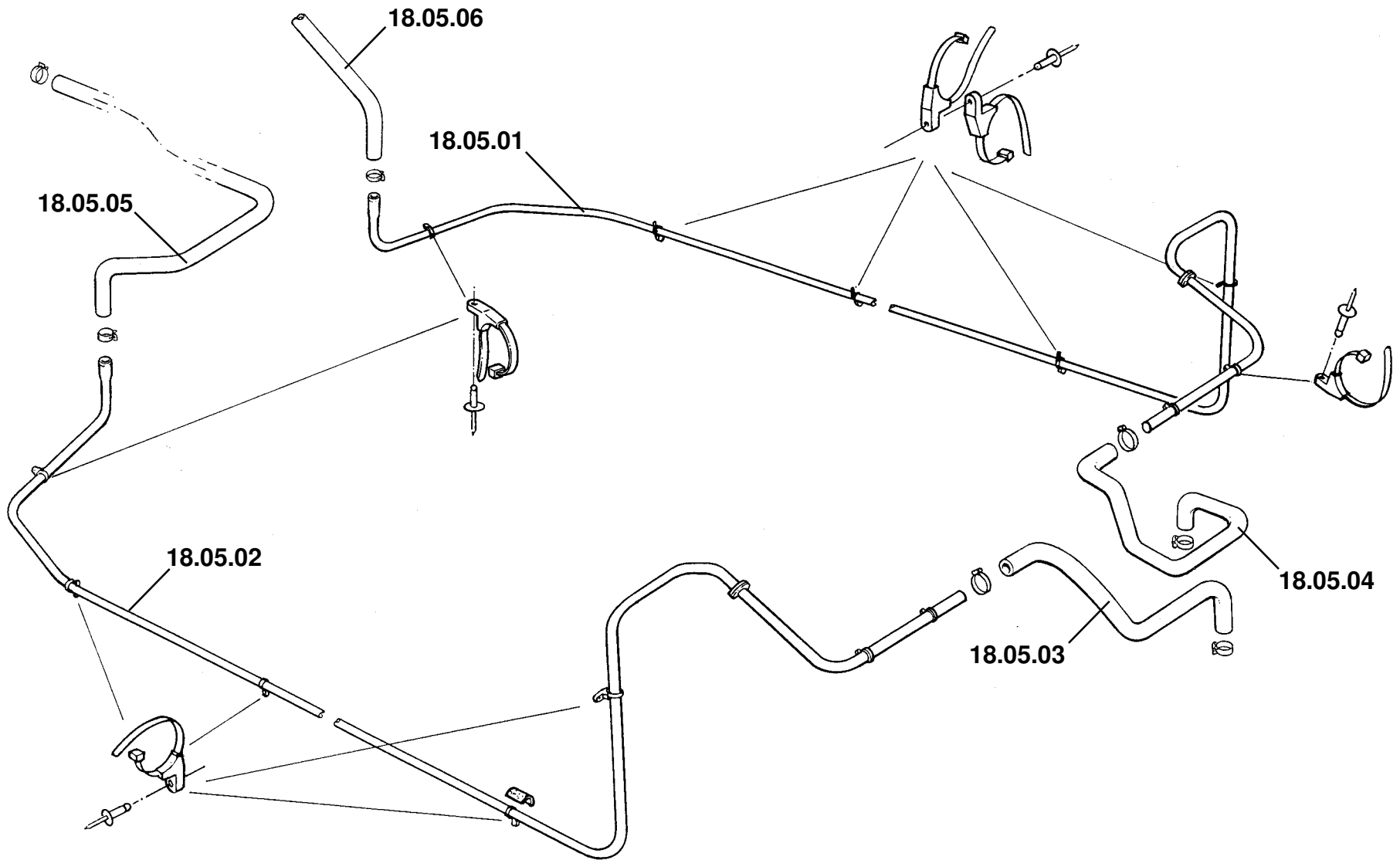
Function Area: 18.00 Heating, Ventilation, Air Conditioning

Function Code: 18.03 AC Components, Pipes, Hoses

Operation Code	Description	Op Type	Hours	Derivative
18.03.02-02	Refrigerant pipe, expansion valve to body pipe, suction	Renew	2.0	AC only, Common
18.03.03-02	Refrigerant pipe, high pressure, front to rear (sill removed)	Renew	2.0	AC only, Common
18.03.04-02	Refrigerant pipe, suction line, front to rear (sill removed)	Renew	2.0	AC only, Common
18.03.05-02	Pipe assembly, compressor discharge	Renew	1.5	AC only, Common
18.03.06-02	Pipe assembly, compressor suction	Renew	1.5	AC only, Common
18.03.07-02	Condenser (incl. clamshell/radiator r&r)	Renew	5.0	AC only, Common
18.03.08-02	Receiver drier	Renew	2.0	AC only, Common
18.03.09-02	Trinary switch	Renew	0.5	AC only, Common
18.03.10-02	Refrigerant pipe, condenser to receiver drier	Renew	2.9	AC only, Common
18.03.11-02	Refrigerant pipe, rear to front pipe to condenser	Renew	1.0	AC only, Common
18.03.13-02	Refrigerant pipe, receiver drier to expansion valve	Renew	2.0	AC only, Common
18.03.14-02	Expansion valve	Renew	2.0	AC only, Common
18.03.15-02	Pressure relief valve	Renew	1.5	AC only, Common
18.03.16-02	Bracket, pipes to rear chassis	Renew	1.0	AC only, Common
18.03.17-02	Pipe, high pressure, front to rear (using service replacement hose)	Renew	4.5	AC only, Common
18.03.18-02	Pipe, suction line, front to rear (using service replacement hose)	Renew	4.5	AC only, Common
18.03.99-99	Note: times include drain/refill of refrigerant			

Function Code: 18.03, Page: 1

2009/01



ELISE

18.05

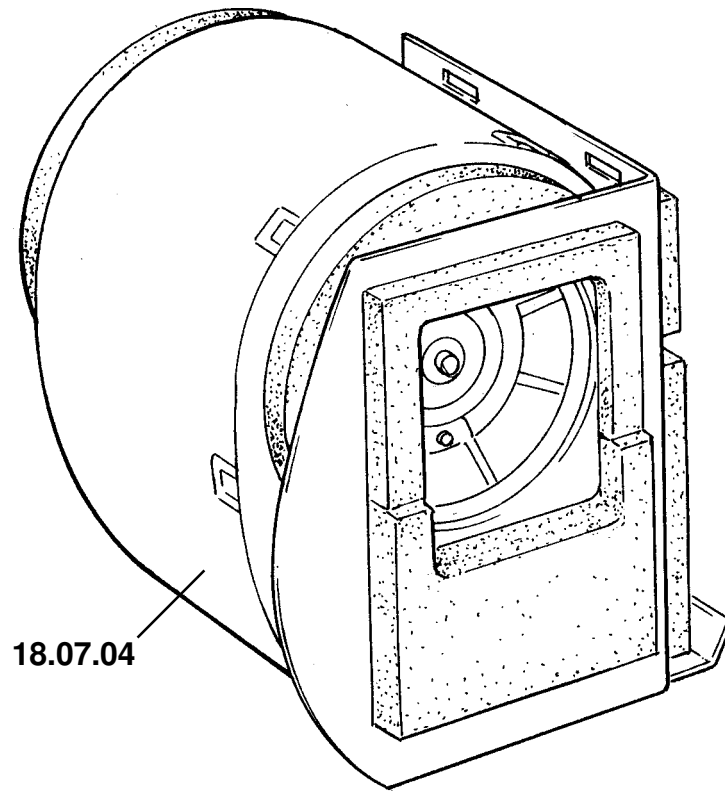


LOTUS ELISE 2004 TMC STANDARD LABOUR TIMES.

Function Area: 18.00 Heating, Ventilation, Air Conditioning

Function Code: 18.05 Heater, Pipes, Hoses

Operation Code	Description	Op Type	Hours	Derivative
18.05.01-02	Water pipe, heater return, LH (sill removed)	Renew	1.0	Common
18.05.02-02	Water pipe, heater feed, RH (sill removed)	Renew	1.0	Common
18.05.03-02	Hose, heater inlet	Renew	0.3	Common
18.05.04-02	Hose, heater outlet	Renew	0.3	Common
18.05.05-02	Hose, re-circ pump to feed pipe	Renew	0.5	Common
18.05.06-02	Hose, return pipe to engine	Renew	0.5	Common



18.07.04

ELISE

18.07

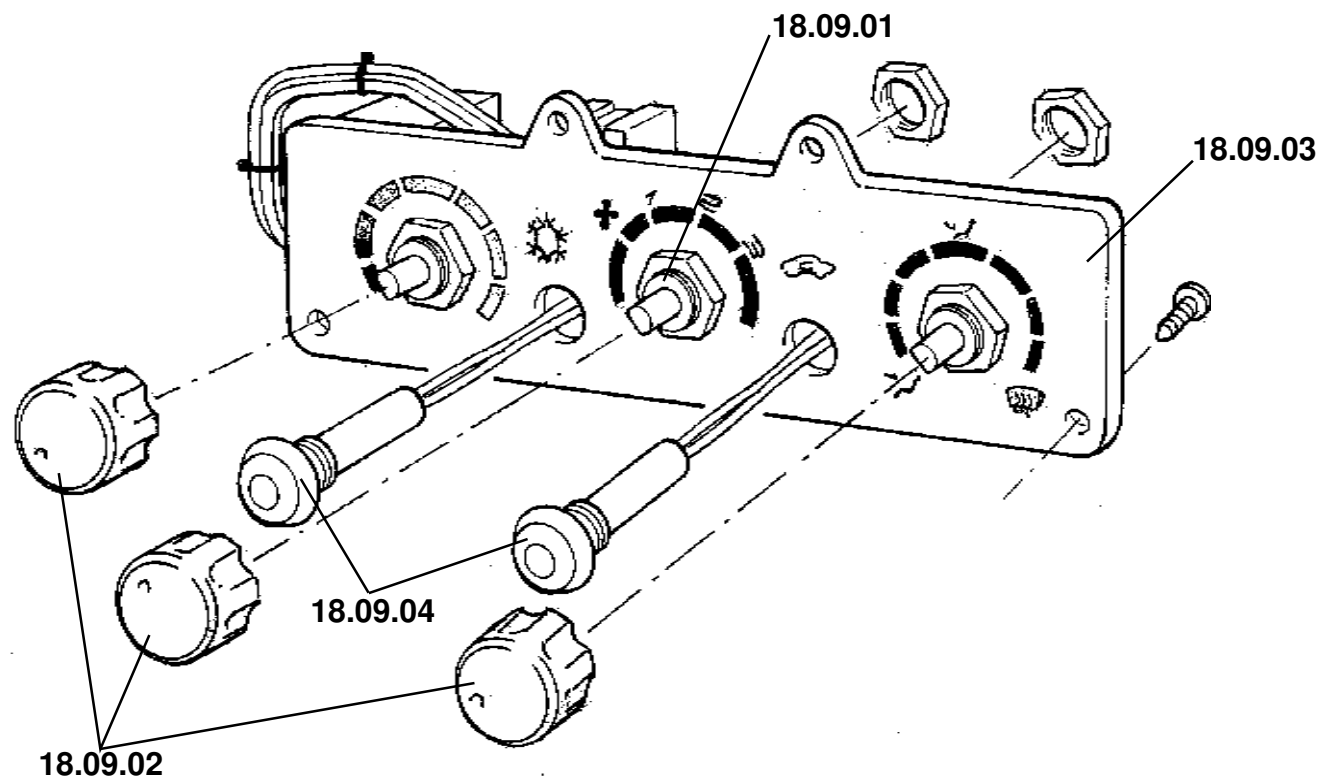


LOTUS ELISE 2004 TMC STANDARD LABOUR TIMES.

Function Area: 18.00 Heating, Ventilation, Air Conditioning

Function Code: 18.07 Interior Blower Motor

Operation Code	Description	Op Type	Hours	Derivative
18.07.04-02	Blower & motor assembly, includes resistor pack	Renew	6.0	Common
18.07.05-07	Resistor kit (using service replacement kit, not illustrated)	Retrofit	6.5	Common



ELISE

18.09

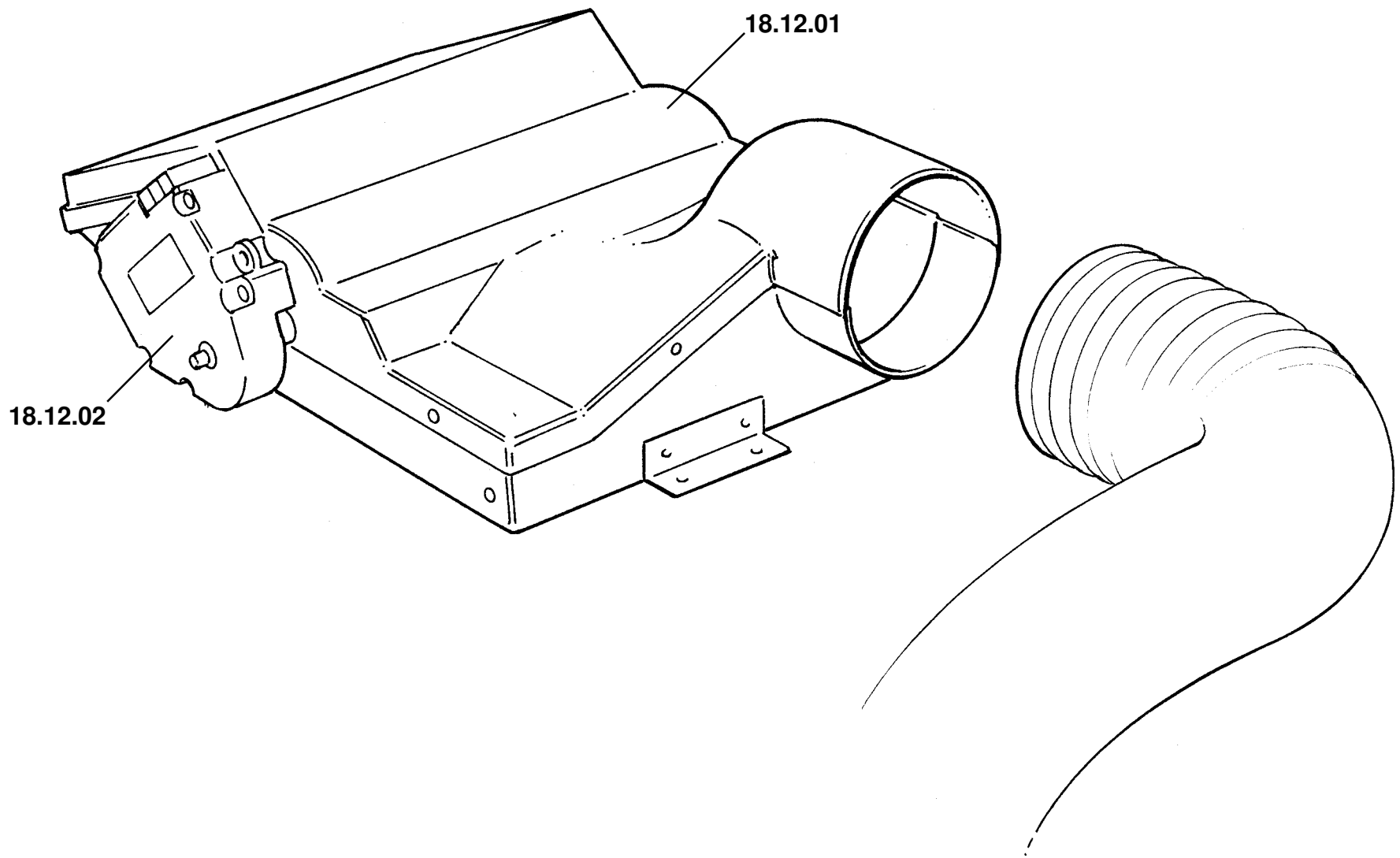


LOTUS ELISE 2004 TMC STANDARD LABOUR TIMES.

Function Area: 18.00 Heating, Ventilation, Air Conditioning

Function Code: 18.09 Driver Operated Controls

Operation Code	Description	Op Type	Hours	Derivative
18.09.01-02	Switch, fan speed control	Renew	0.6	Common
18.09.02-02	Knob, climate controls (each)	Renew	0.1	Common
18.09.03-02	Switch panel & controls	Renew	0.5	Common
18.09.04.02	Switch, AC/re-circ (one or both)	Renew	0.6	Common



ELISE

18.12



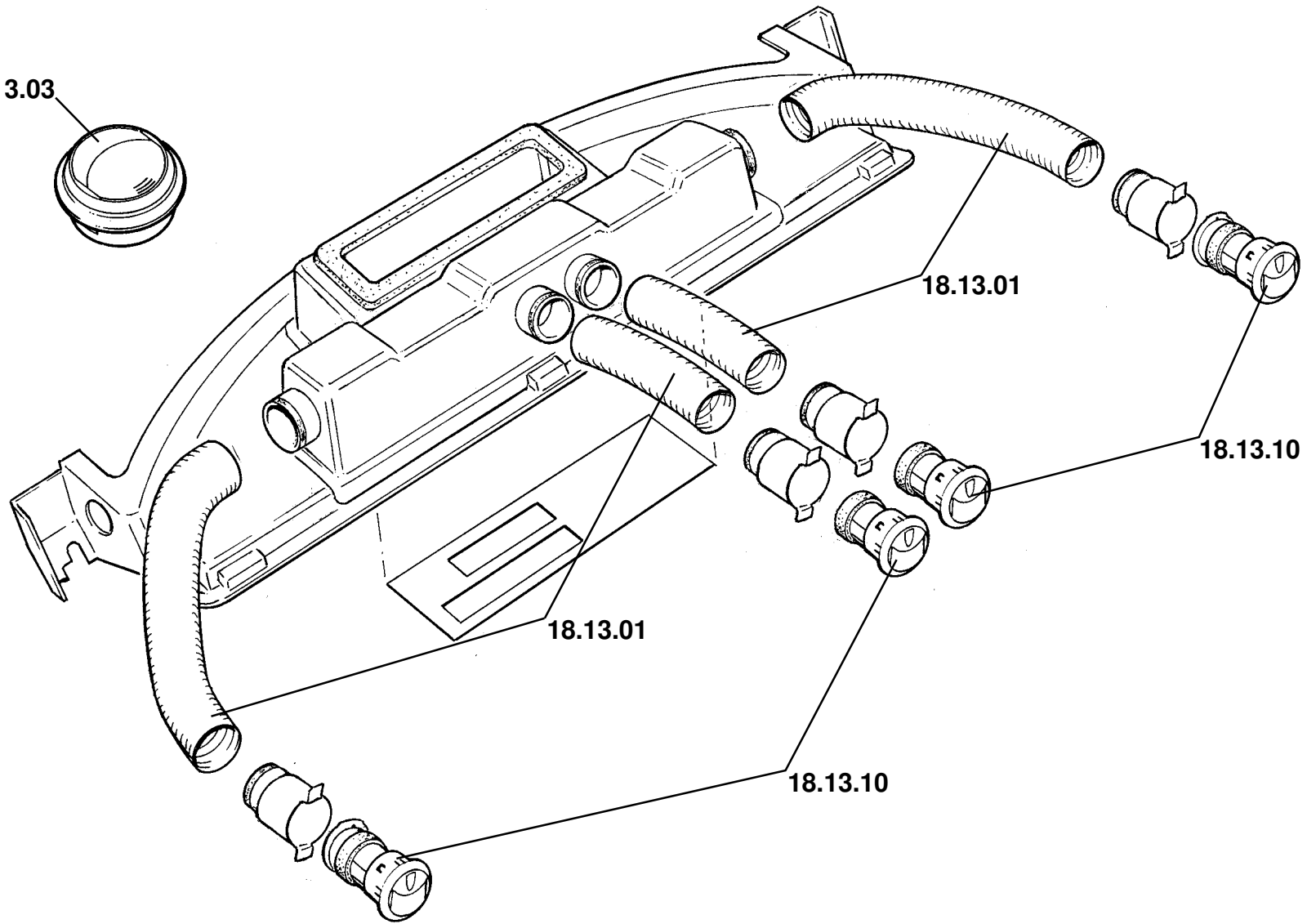
LOTUS ELISE 2004 TMC STANDARD LABOUR TIMES.

Function Area: 18.00 Heating, Ventilation, Air Conditioning

Function Code: 18.12 AC/Heater Air Distribution Plenum

Operation Code	Description	Op Type	Hours	Derivative
18.12.01-01	Air distribution plenum	r&r	6.0	Common
18.12.01-02	Air distribution plenum	Renew	6.0	Common
18.12.02-02	Actuator, distribution flaps	Renew	6.0	Common

18.13.03



ELISE

18.13

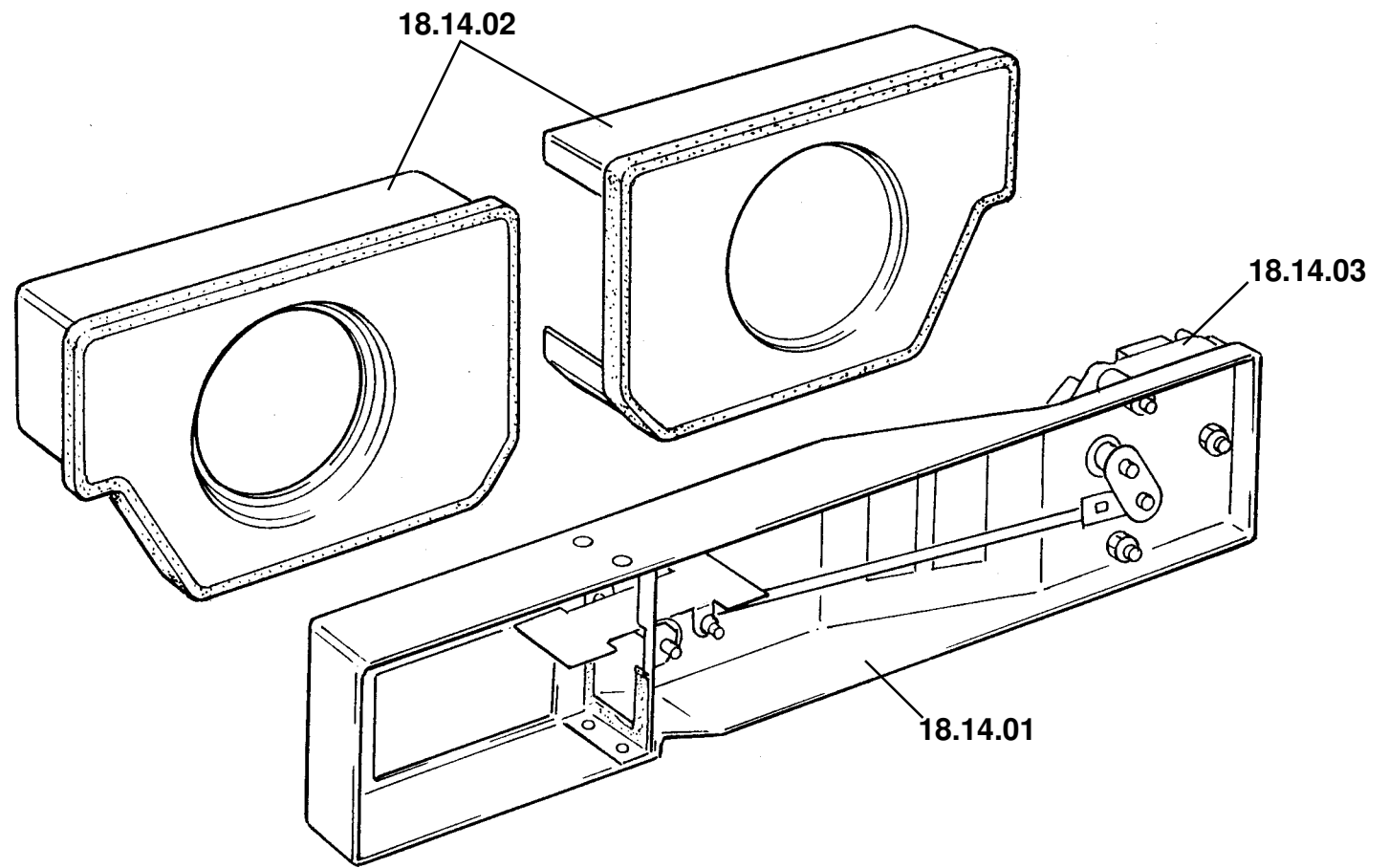


LOTUS ELISE 2004 TMC STANDARD LABOUR TIMES.

Function Area: 18.00 Heating, Ventilation, Air Conditioning

Function Code: 18.13 Air Trunking, Ducts & Ventilators

Operation Code	Description	Op Type	Hours	Derivative
18.13.01-02	Trunking (any)	Renew	3.0	Common
18.13.03-02	Fascia top ventilator/demister (each)	Renew	0.2	Common
18.13.10-02	Face level vent (each)	Renew	0.2	Common



ELISE
18.14



LOTUS ELISE 2004 TMC STANDARD LABOUR TIMES.

Function Area: 18.00 Heating, Ventilation, Air Conditioning

Function Code: 18.14 AC Air Recirculation System

Operation Code	Description	Op Type	Hours	Derivative
18.14.01-02	Intake duct/fresh air flap assembly	Renew	6.0	Common
18.14.02-02	Re-circ air plenum (any)	Renew	6.0	AC only, Common
18.14.03-02	Actuator, fresh air flap	Renew	6.0	AC only, Common

Part No.	Description	QTY	Ref. No.
10	0195003	26	0195003
11	0295002	28	0095003
12	0295004	39	0095004
13	0795009	46	0195003
14	0395006	48	0195002
17RA	0495005	51	0195019
18	0195002	83	0195016
21	0195005		

REPRODUCTION OF THIS INFORMATION IS PROHIBITED

≡ ▷ -1,5%

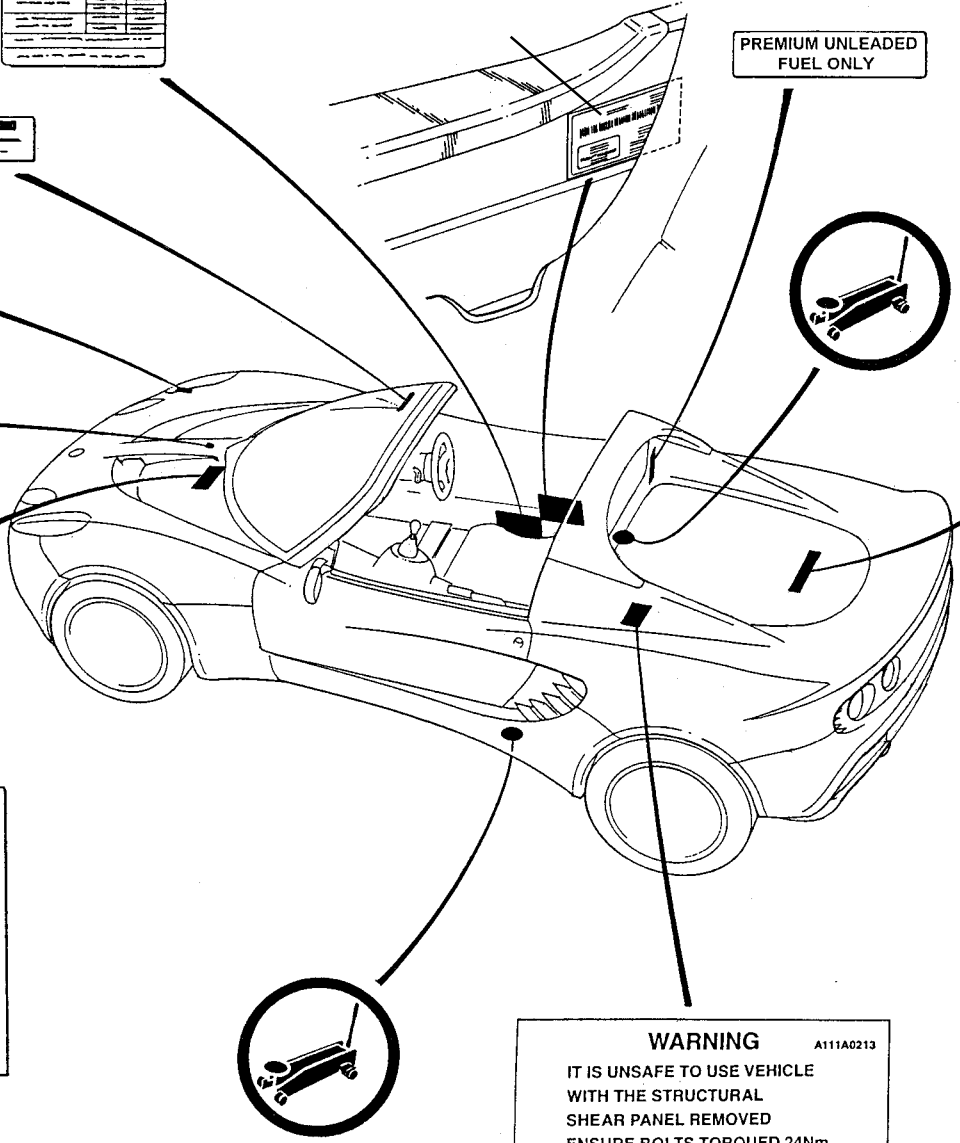


(E4)

10	0195003	26	0195003
11	0295002	28	0095003
12	0295004	39	0095004
13	0795009	46	0195003
14	0395006	48	0195002
17RA	0495005	51	0195019
18	0195002	83	0195016
21	0195005		

LOTUS B111U008

READ THIS WARNING CAREFULLY BEFORE YOU BEGIN WORK
 BEFORE YOU BEGIN WORK, READ THE INSTRUCTIONS IN THE REPAIR MANUAL FOR THIS WORK.
 BEFORE YOU BEGIN WORK, READ THE INSTRUCTIONS IN THE REPAIR MANUAL FOR THIS WORK.
 BEFORE YOU BEGIN WORK, READ THE INSTRUCTIONS IN THE REPAIR MANUAL FOR THIS WORK.
 BEFORE YOU BEGIN WORK, READ THE INSTRUCTIONS IN THE REPAIR MANUAL FOR THIS WORK.
 BEFORE YOU BEGIN WORK, READ THE INSTRUCTIONS IN THE REPAIR MANUAL FOR THIS WORK.



PREMIUM UNLEADED FUEL ONLY

MAXIMUM ALLOWABLE MASS IN LUGGAGE COMPARTMENT: 50kg
 A111U0007

WARNING A111A0213
 IT IS UNSAFE TO USE VEHICLE WITH THE STRUCTURAL SHEAR PANEL REMOVED
 ENSURE BOLTS TORQUED 24Nm.

ELISE

19.01

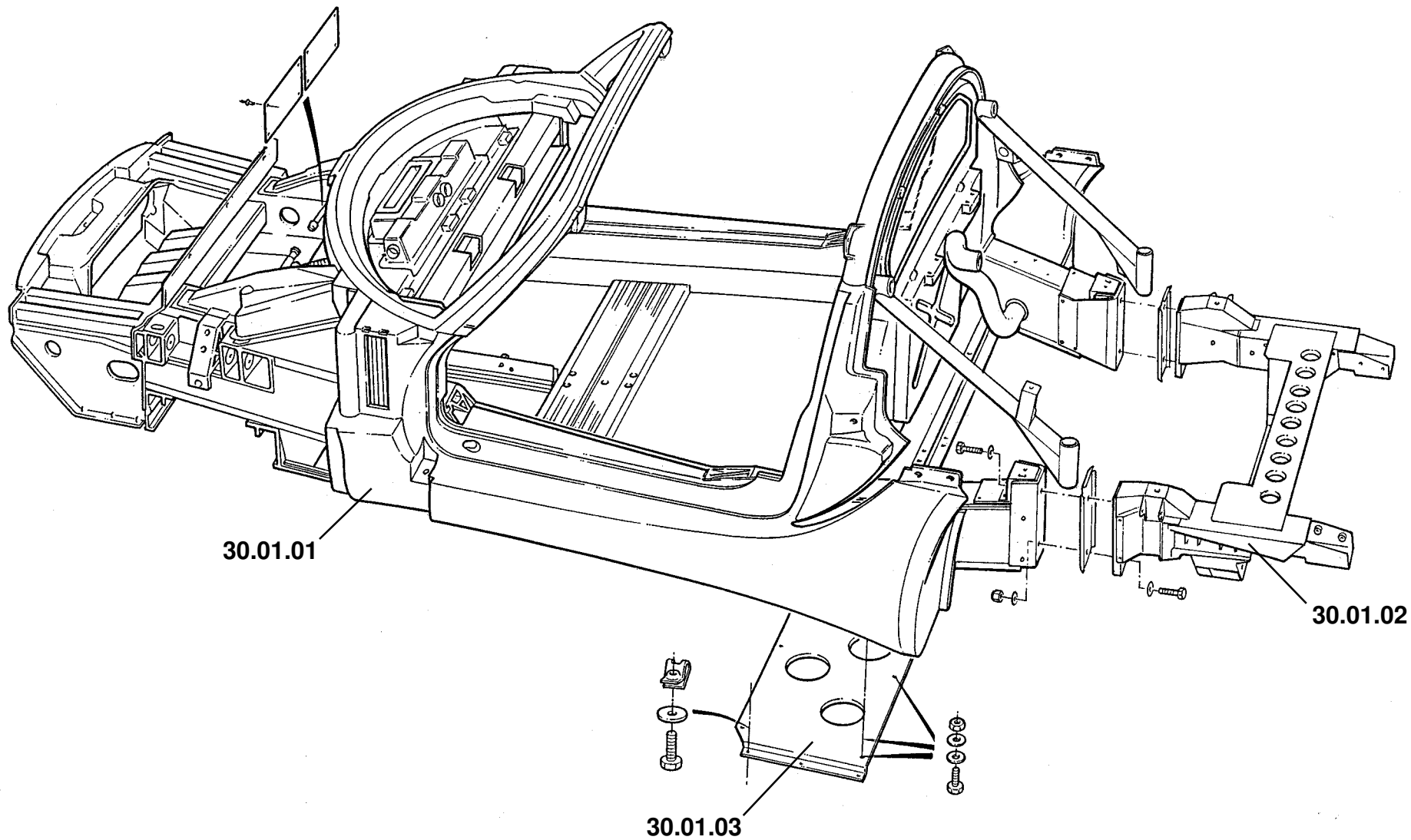


LOTUS ELISE 2004 TMC STANDARD LABOUR TIMES.

Function Area: 19.00 Labels

Function Code: 19.01 Labels,Certificates, Literature etc.

Operation Code	Description	Op Type	Hours	Derivative
19.01.01-02	Label (any)	Renew	0.1	Common



ELISE

30.01

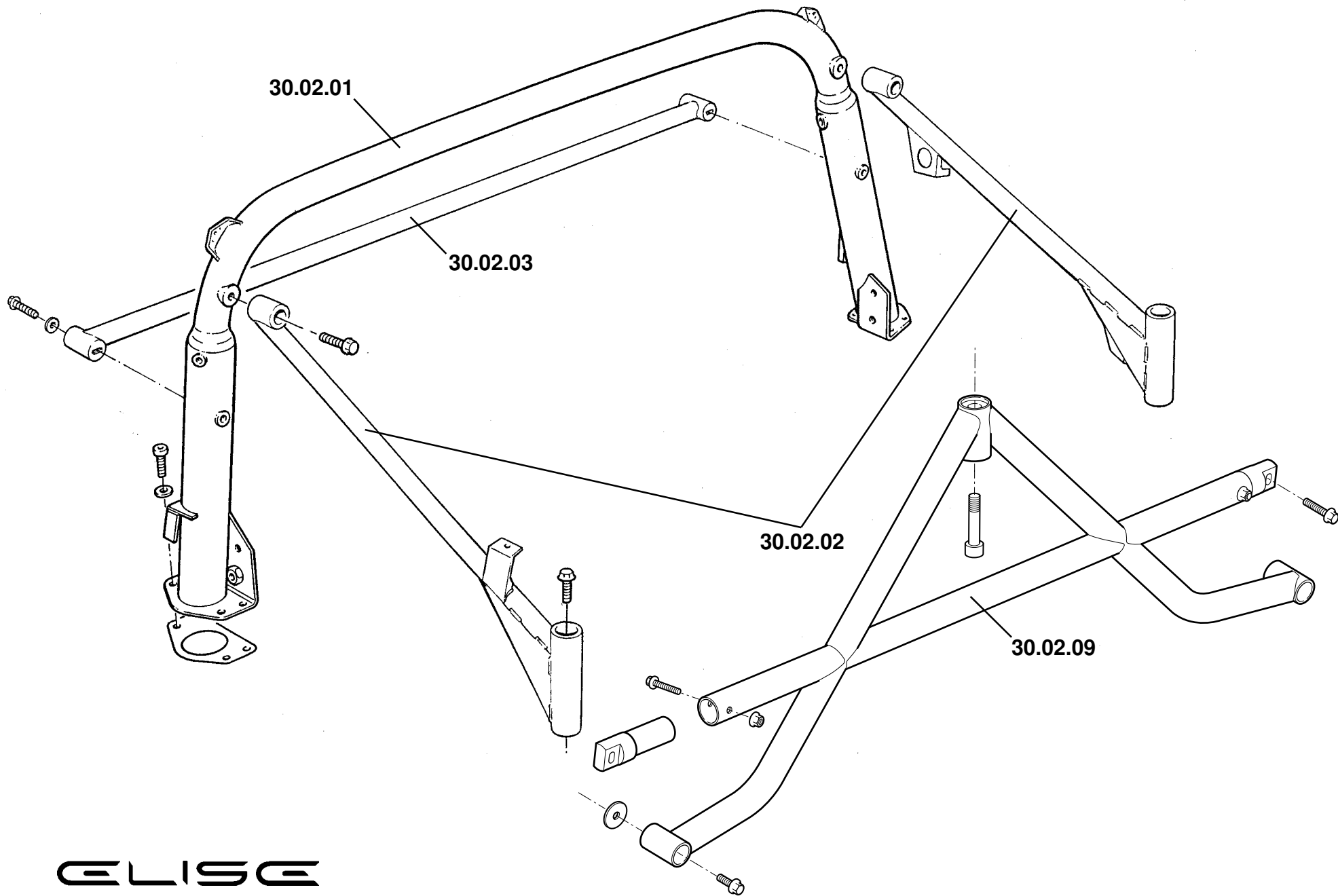


LOTUS ELISE 2004 TMC STANDARD LABOUR TIMES.

Function Area: 30.00 Chassis

Function Code: 30.01 Chassis, Subframes

Operation Code	Description	Op Type	Hours	Derivative
30.01.01-02	Partial body assembly (excl. paint)	Renew	60.5	Common
30.01.02-01	Subframe, complete with suspension/subframe	r&r	6.0	Common
30.01.02-02	Subframe/longeron assembly	Renew	8.0	Common
30.01.03-01	Shear panel, fuel tank bay closing panel	r&r	0.4	Common
30.01.03-02	Shear panel, fuel tank bay closing panel	Renew	0.4	Common
30.01.99-99	Note: Time for resetting steering/suspension geometry included			



ELISE

30.02

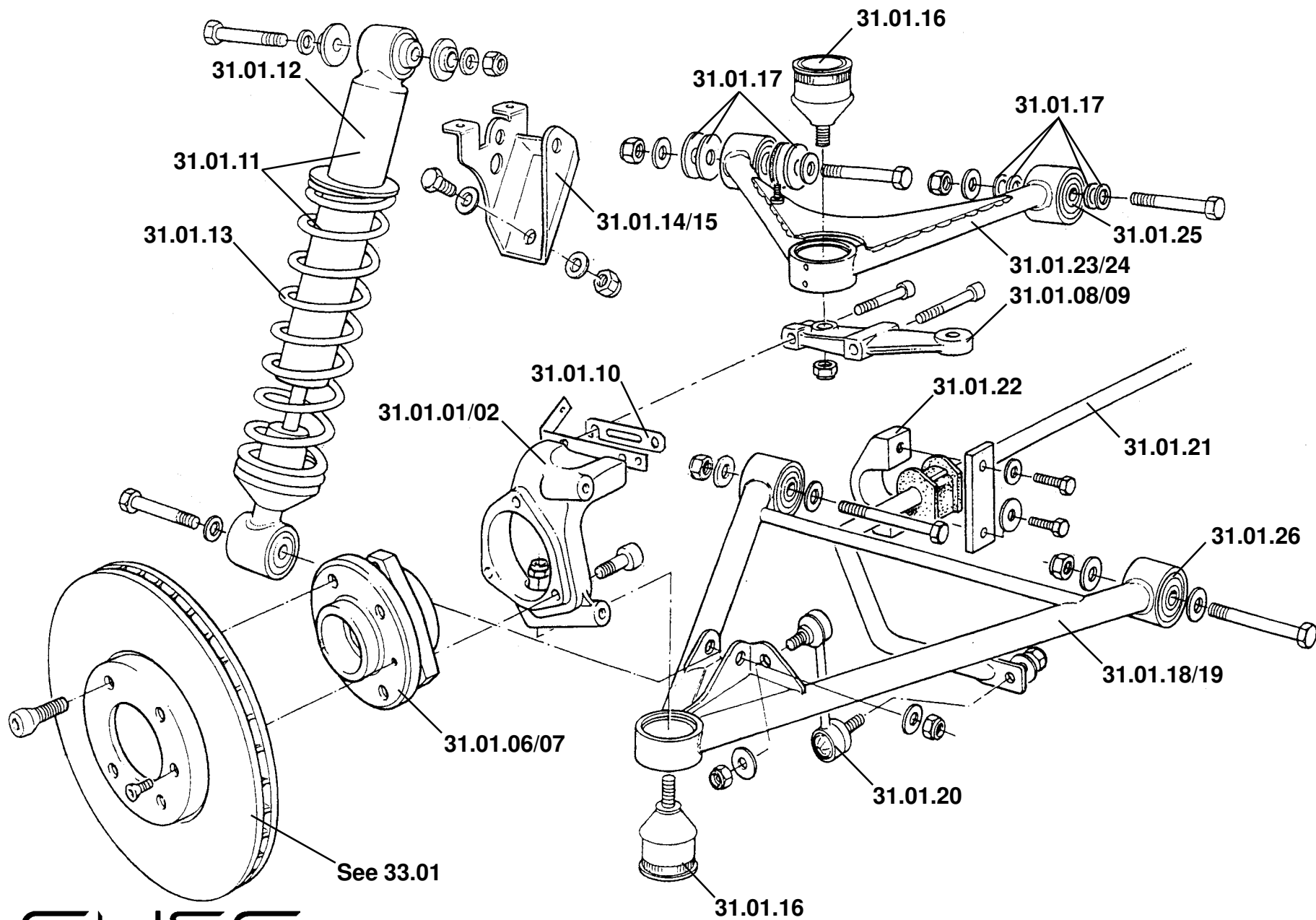


LOTUS ELISE 2004 TMC STANDARD LABOUR TIMES.

Function Area: 30.00 Chassis

Function Code: 30.02 Seat Belt Mounting Frames, Stays

Operation Code	Description	Op Type	Hours	Derivative
30.02.01-01	Seat belt mounting frame	r&r	6.3	Common
30.02.01-02	Seat belt mounting frame	Renew	6.3	Common
30.02.02-01	Backstay frame (each)	r&r	0.5	Common
30.02.02-02	Backstay frame (each)	Renew	0.5	Common
30.02.03-01	Mounting bar 4 point harness	r&r	1.0	Exige/option
30.02.03-02	Mounting bar 4 point harness	Renew	1.0	Exige/option
30.02.09-02	'A' Frame, T45	Renew	2.0	Exige/option



ELISE
31.01

See 33.01



LOTUS ELISE 2004 TMC STANDARD LABOUR TIMES.

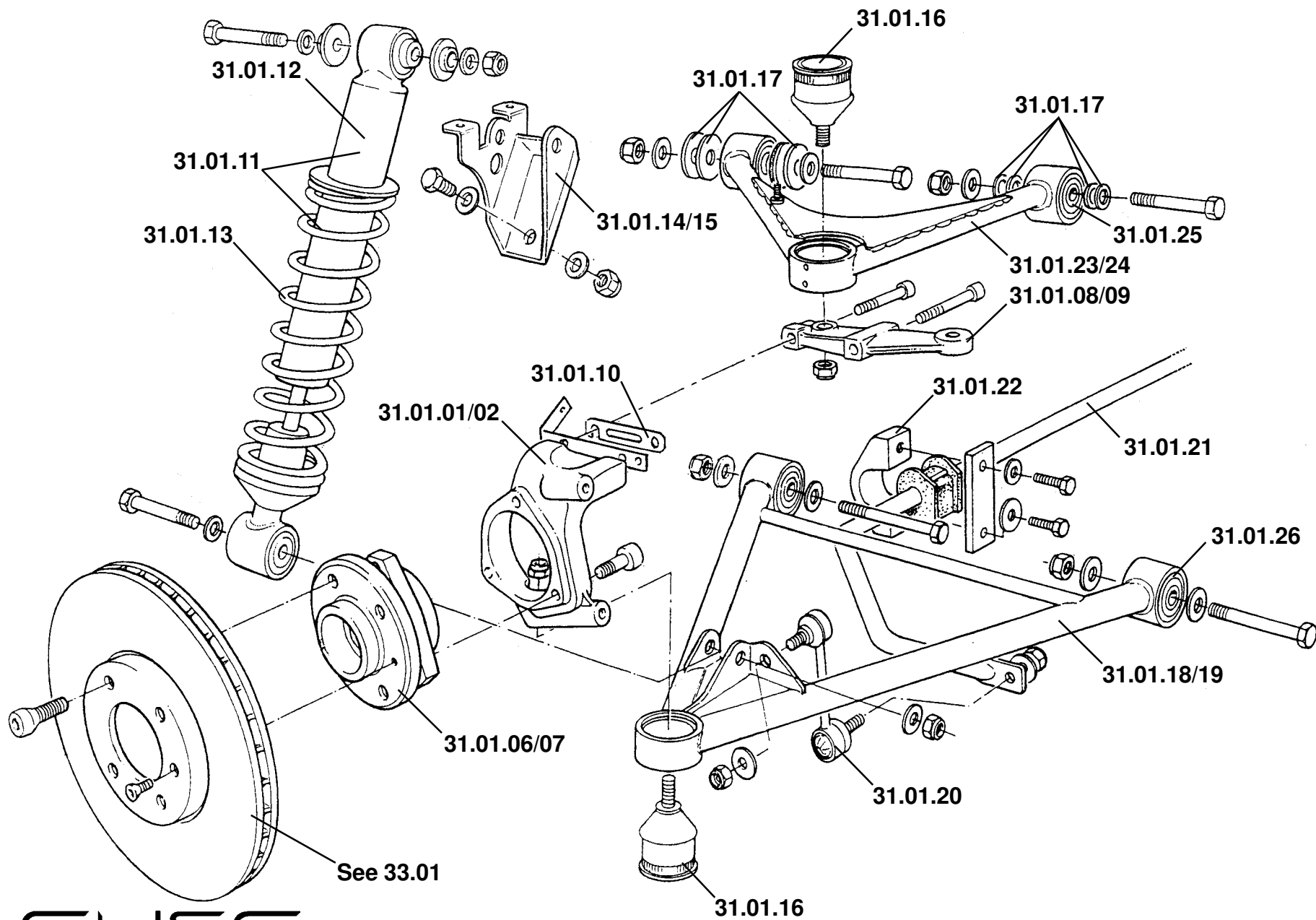
Function Area: 31.00 Suspension

Function Code: 31.01 Front Suspension, Incl. Hubs

Operation Code	Description	Op Type	Hours	Derivative
31.01.01-01	Hub carrier, LH	r&r	1.4	Common
31.01.01-02	Hub carrier, LH	Renew	1.4	Common
31.01.02-01	Hub carrier, RH	r&r	1.4	Common
31.01.02-02	Hub carrier, RH	Renew	1.4	Common
31.01.06-01	Wheel speed sensor/bearing/hub assy, LH (Includes diagnostic time)	r&r	1.4	Common
31.01.06-02	Wheel speed sensor/bearing/hub assy, LH (Includes diagnostic time)	Renew	1.4	Common
31.01.07-01	Wheel speed sensor/bearing/hub assy, RH (Includes diagnostic time)	r&r	1.4	Common
31.01.07-02	Wheel speed sensor/bearing/hub assy, RH (Includes diagnostic time)	Renew	1.4	Common
31.01.08-01	Steering arm, LH	r&r	0.7	Common
31.01.08-02	Steering arm, LH	Renew	0.7	Common
31.01.09-01	Steering arm, RH	r&r	0.7	Common
31.01.09-02	Steering arm, RH	Renew	0.7	Common
31.01.10-00	Shim, camber adjustment	Adjust	1.0	Common
31.01.11-01	Spring/damper assembly (one side)	r&r	0.6	Common
31.01.11-02	Spring/damper assembly (one side)	Renew	0.6	Common
31.01.12-01	Damper (one side)	r&r	0.6	Common
31.01.12-02	Damper (one side)	Renew	0.6	Common
31.01.13-02	Road spring (one side)	Renew	0.6	Common
31.01.14-02	Bracket damper, top, LH	Renew	0.6	Common
31.01.15-02	Bracket damper, top, RH	Renew	0.6	Common
31.01.16-02	Ball joint assembly (one side)	Renew	1.0	Common
31.01.17-00	Shim castor adjustment	Adjust	1.0	Common
31.01.18-01	Wishbone assembly, lower, LH	r&r	0.9	Common
31.01.18-02	Wishbone assembly, lower, LH	Renew	0.9	Common
31.01.19-01	Wishbone assembly, lower, RH	r&r	0.9	Common

Function Code: 31.01, Page: 1

Updated 6th June 2012



ELISE
31.01

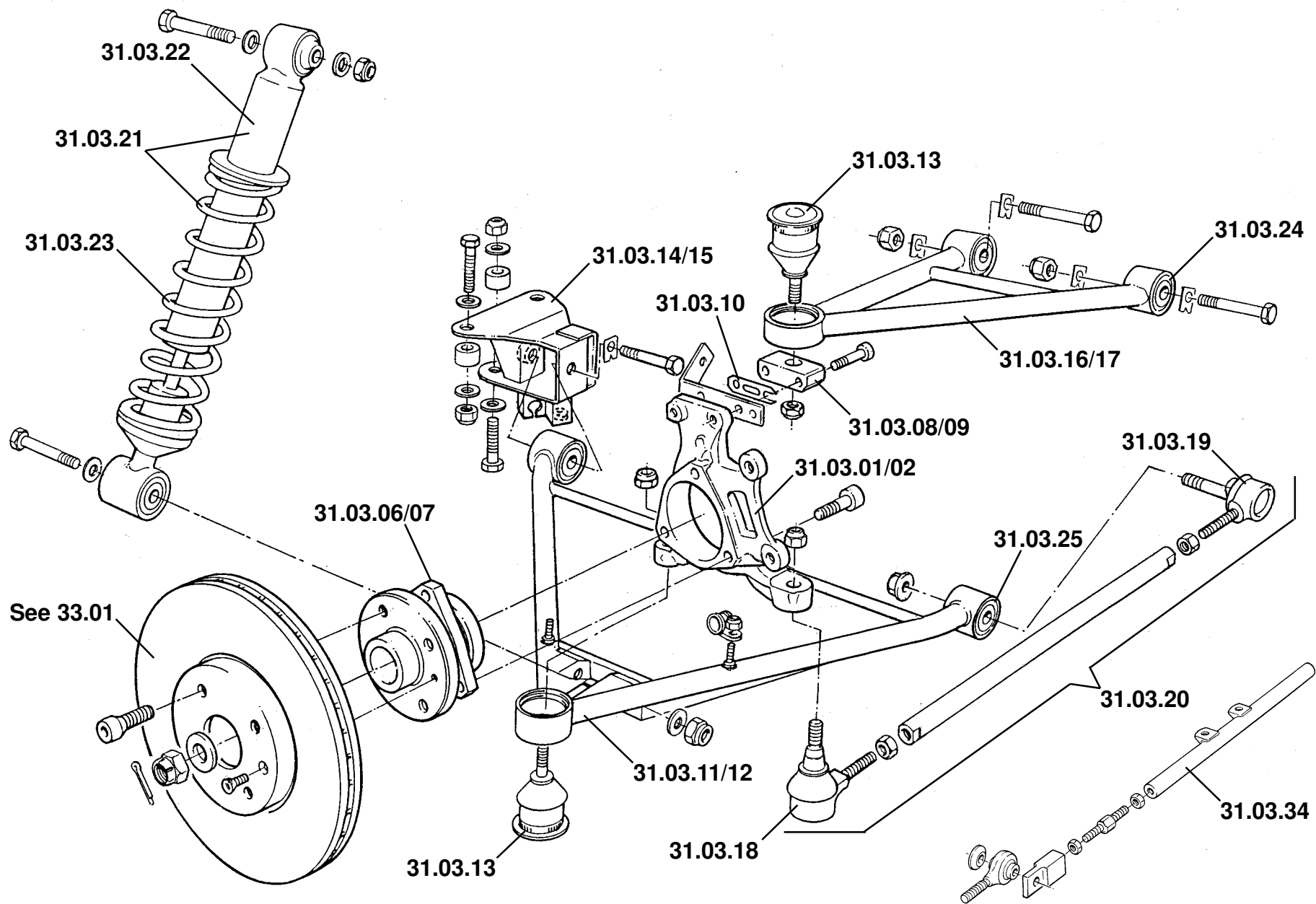


LOTUS ELISE 2004 TMC STANDARD LABOUR TIMES.

Function Area: 31.00 Suspension

Function Code: 31.01 Front Suspension, Incl. Hubs

Operation Code	Description	Op Type	Hours	Derivative
31.01.19-02	Wishbone assembly, lower, RH	Renew	0.9	Common
31.01.20-02	Anti-Roll bar drop link (one side)	Renew	0.3	Common
31.01.21-01	Anti-Roll bar	r&r	0.8	Common
31.01.21-02	Anti-Roll bar	Renew	0.8	Common
31.01.22-01	Anti-Roll bar clamp (one or both)	r&r	0.4	Common
31.01.22-02	Anti-Roll bar clamp (one or both)	Renew	0.4	Common
31.01.23-01	Wishbone assembly, upper, LH	r&r	0.9	Common
31.01.23-02	Wishbone assembly, upper, LH	Renew	0.9	Common
31.01.24-01	Wishbone assembly, upper, RH	r&r	0.9	Common
31.01.24-02	Wishbone assembly, upper, RH	Renew	0.9	Common
31.01.25-02	Bush wishbone assembly, upper (one side)	Renew	1.5	Common
31.01.26-02	Bush wishbone assembly, lower (one side)	Renew	1.5	Common
31.01.29-02	Adjustable spring/damper with remote reservoir (one side) (not illus.)	Renew	0.7	Exige/option



ELISE
31.03

Updated 8th April 2011



LOTUS ELISE 2004 TMC STANDARD LABOUR TIMES.

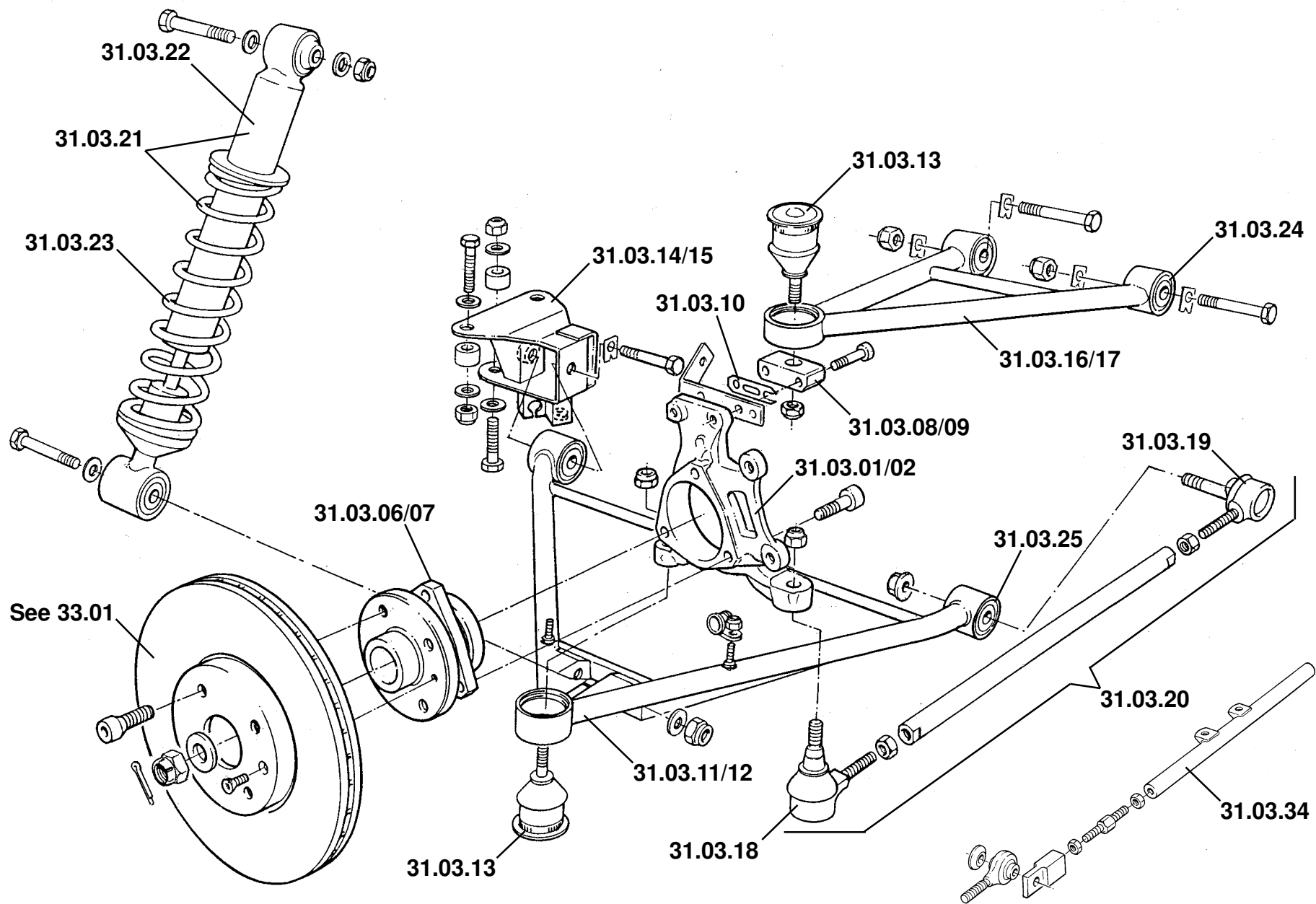
Function Area: 31.00 Suspension

Function Code: 31.03 Rear Suspension, Incl. Hubs

Operation Code	Description	Op Type	Hours	Derivative
31.03.01-01	Hub carrier, LH	r&r	1.6	Common
31.03.01-02	Hub carrier, LH	Renew	1.6	Common
31.03.02-01	Hub carrier, RH	r&r	1.6	Common
31.03.02-02	Hub carrier, RH	Renew	1.6	Common
31.03.06-01	Wheel speed sensor/bearing/hub assy, LH (Includes diagnostic time)	r&r	1.6	Common
31.03.06-02	Wheel speed sensor/bearing/hub assy, LH (Includes diagnostic time)	Renew	1.6	Common
31.03.07-01	Wheel speed sensor/bearing/hub assy, RH (Includes diagnostic time)	r&r	1.6	Common
31.03.07-02	Wheel speed sensor/bearing/hub assy, RH (Includes diagnostic time)	Renew	1.6	Common
31.03.08-01	Ball joint carrier, upper, LH	r&r	0.3	Common
31.03.08-02	Ball joint carrier, upper, LH	Renew	0.3	Common
31.03.09-01	Ball joint carrier, upper, RH	r&r	0.3	Common
31.03.09-02	Ball joint carrier, upper, RH	Renew	0.3	Common
31.03.10-00	Shim, camber adjustment	Adjust	0.2	Common
31.03.11-01	Wishbone assembly, lower, LH	r&r	0.9	Common
31.03.11-02	Wishbone assembly, lower, LH	Renew	0.9	Common
31.03.12-01	Wishbone assembly, lower, RH	r&r	0.9	Common
31.03.12-02	Wishbone assembly, lower, RH	Renew	0.9	Common
31.03.13-02	Ball joint, (one side)	Renew	1.0	Common
31.03.14-02	Pivot bracket, wishbone to chassis, LH	Renew	0.6	Common
31.03.15-02	Pivot bracket, wishbone to chassis, RH	Renew	0.6	Common
31.03.16-01	Wishbone assembly, upper, LH	r&r	0.9	Common
31.03.16-02	Wishbone assembly, upper, LH	Renew	0.9	Common
31.03.17-01	Wishbone assembly, upper, RH	r&r	0.9	Common
31.03.17-02	Wishbone assembly, upper, RH	Renew	0.9	Common
31.03.18-02	Ball joint, track control arm, outer (one side)	Renew	0.6	Common

Function Code: 31.03, Page: 1

Updated 6th June 2012



ELISE
31.03

Updated 8th April 2011

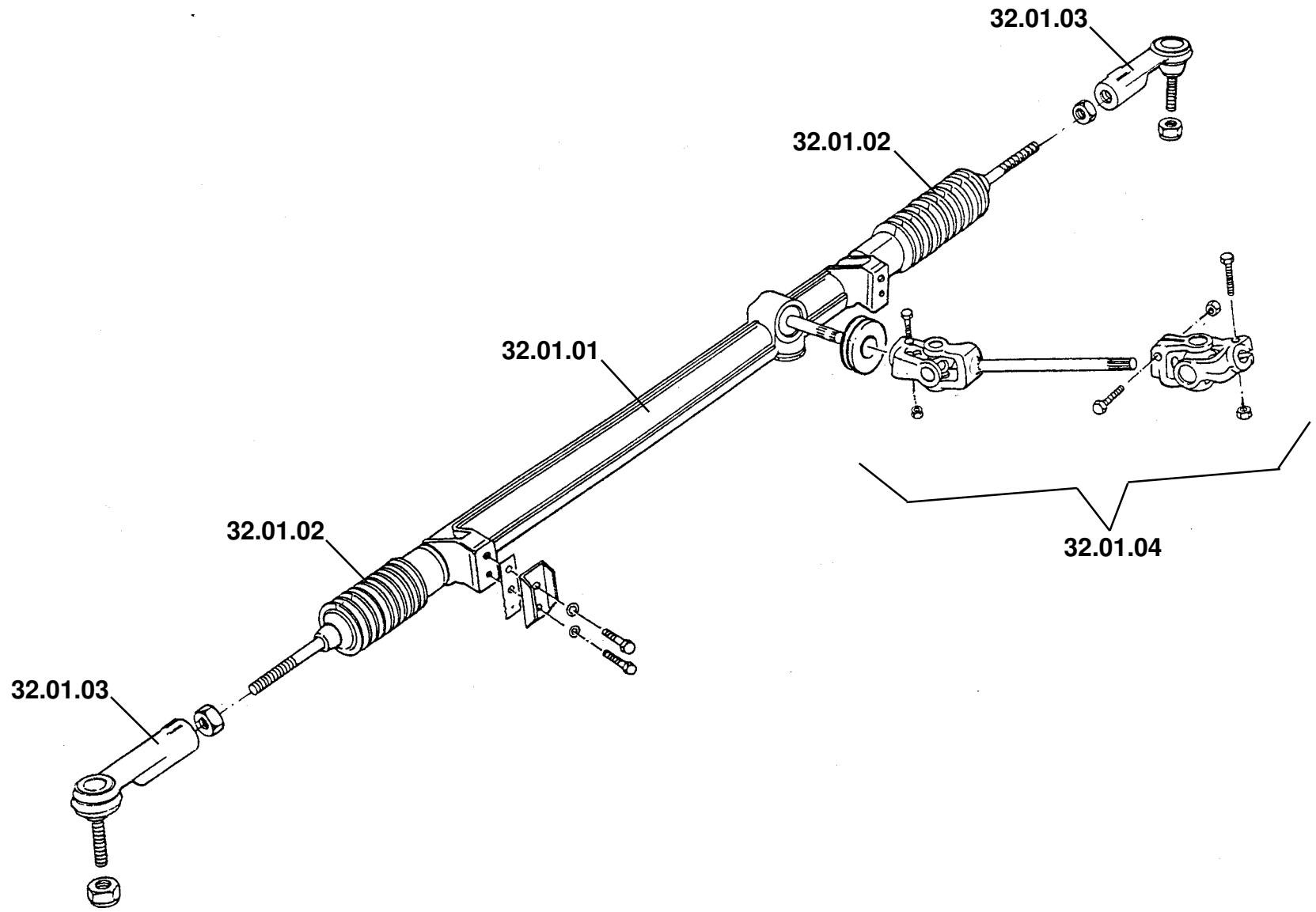


LOTUS ELISE 2004 TMC STANDARD LABOUR TIMES.

Function Area: 31.00 Suspension

Function Code: 31.03 Rear Suspension, Incl. Hubs

Operation Code	Description	Op Type	Hours	Derivative
31.03.19-02	Ball joint, track control arm, inner (one side)	Renew	0.6	Common
31.03.20-01	Track control arm assembly (one side)	r&r	1.0	Common
31.03.20-02	Track control arm assembly (one side)	Renew	1.0	Common
31.03.21-01	Spring/damper assembly (one side)	r&r	0.4	Common
31.03.21-02	Spring/damper assembly (one side)	Renew	0.4	Common
31.03.22-02	Damper (one side)	Renew	0.6	Common
31.03.23-02	Road spring (one side)	Renew	0.6	Common
31.03.24-02	Bush, upper wishbone (one side)	Renew	1.5	Common
31.03.25-02	Bush, lower wishbone (one side)	Renew	1.5	Common
31.03.26-00	Check & adjust rear geometry	Adjust	1.0	Common
31.03.31-02	Adjustable spring/damper with remote reservoir (one side) (not illus.)	Renew	0.7	Exige/option
31.03.34-02	Crossbrace, track control arms	Renew	1.0	Optional



ELISE

32.01

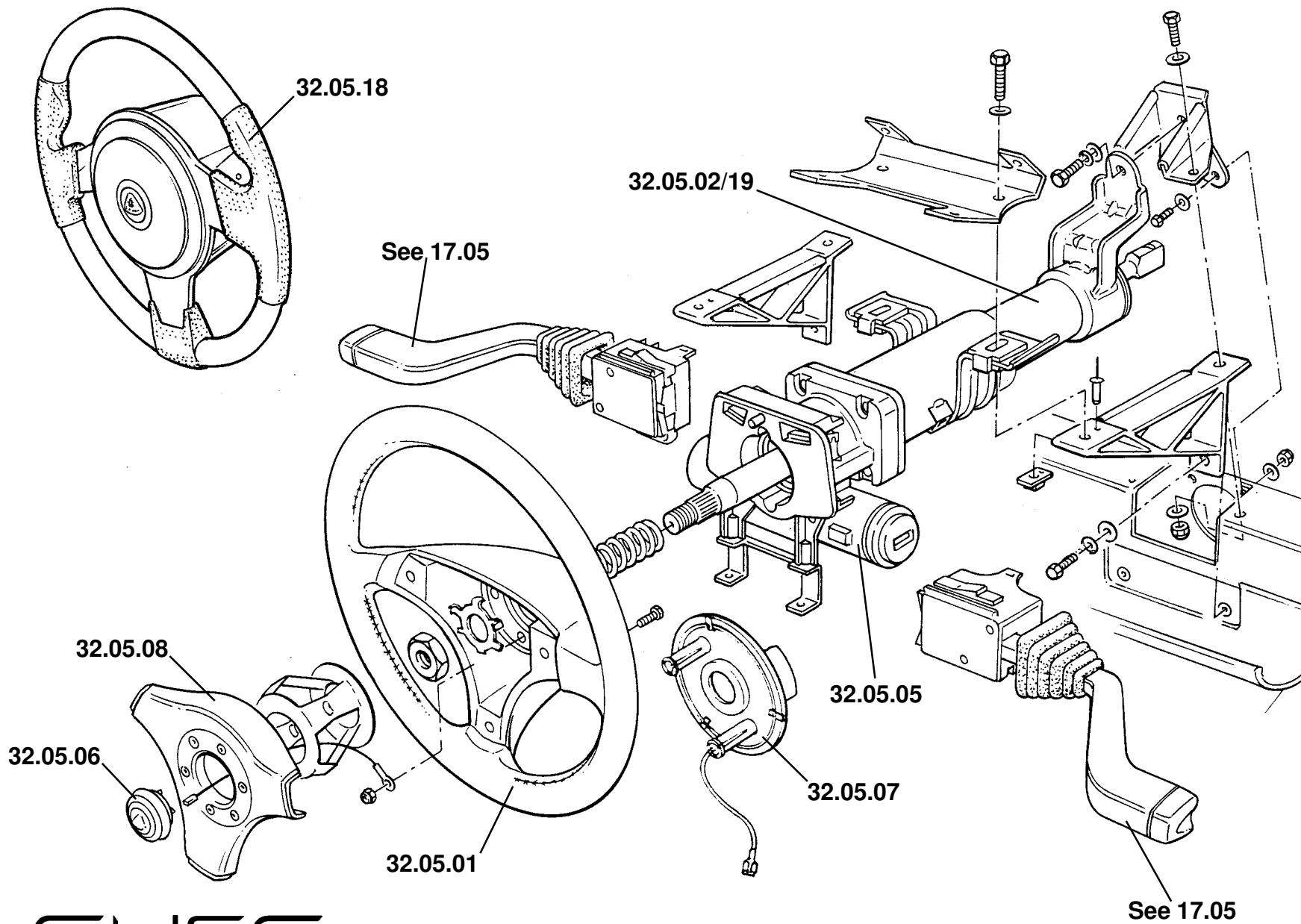


LOTUS ELISE 2004 TMC STANDARD LABOUR TIMES.

Function Area: 32.00 Steering

Function Code: 32.01 Rack & Pinion, & Lower Column

Operation Code	Description	Op Type	Hours	Derivative
32.01.01-01	Steering rack assembly	r&r	1.2	Common
32.01.01-02	Steering rack assembly (includes track adjust)	Renew	1.5	Common
32.01.02-02	Gaiter, steering rack (includes track adjust)	Renew	0.6	Common
32.01.03-02	Track rod end (includes track adjust)	Renew	0.5	Common
32.01.04-01	Lower steering column assembly	r&r	0.7	Common
32.01.04-02	Lower steering column assembly	Renew	0.7	Common
32.01.05-00	Wheel alignment (If not used in above operations)	Adjust	0.5	Common



ELISE
32.05

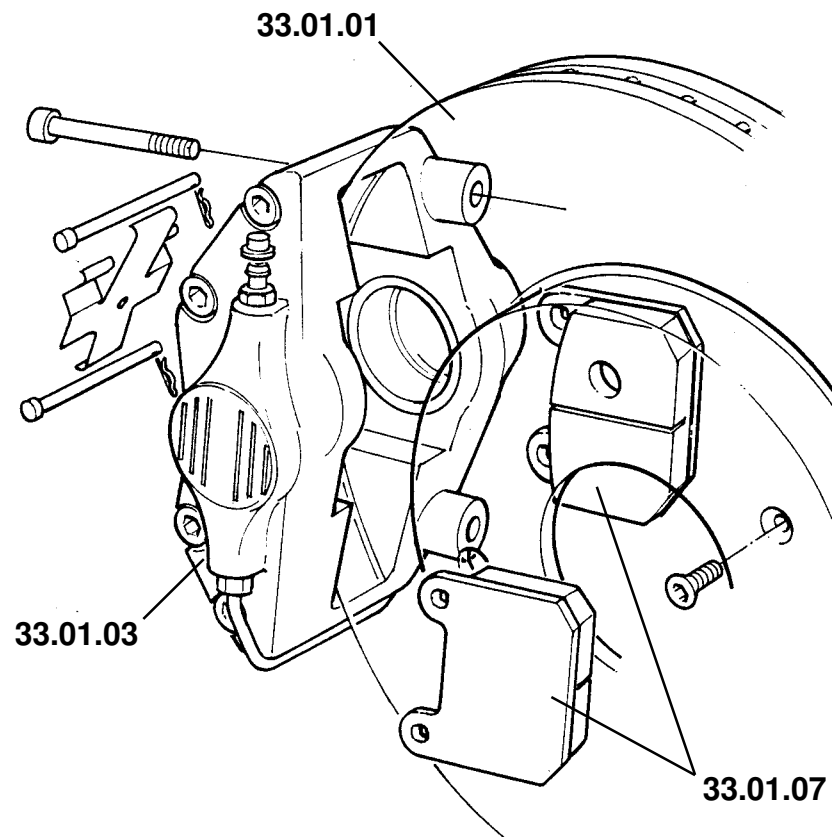
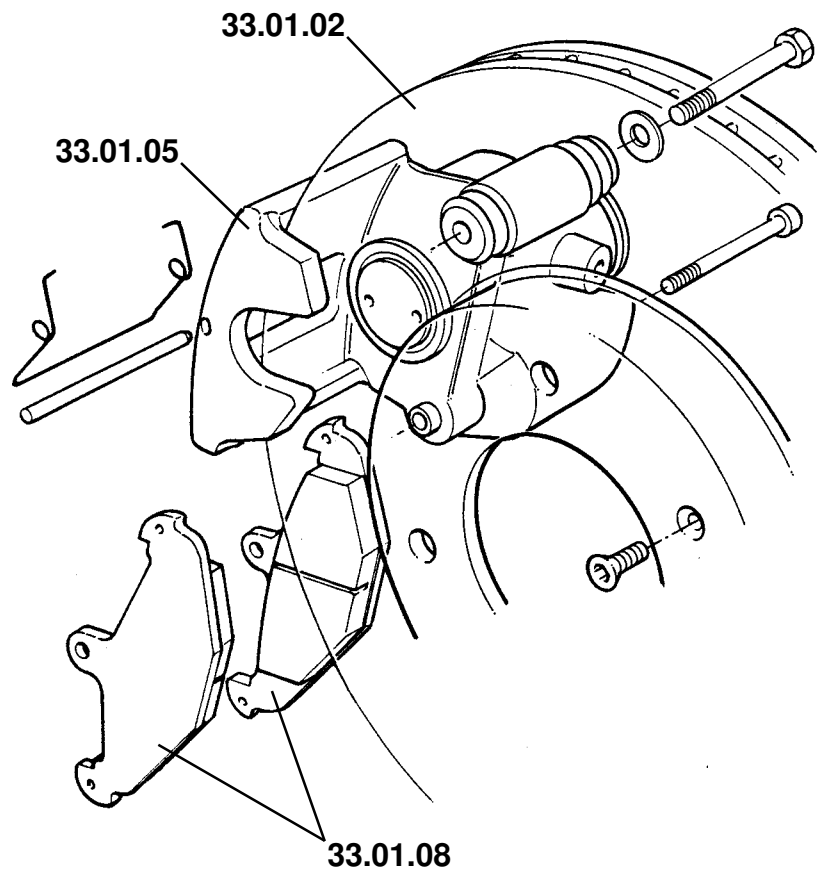


LOTUS ELISE 2004 TMC STANDARD LABOUR TIMES.

Function Area: 32.00 Steering

Function Code: 32.05 Upper Column, Steering Wheel

Operation Code	Description	Op Type	Hours	Derivative
32.05.01-01	Steering wheel	r&r	0.2	Prior 08/exc. Fed
32.05.01-02	Steering wheel	Renew	0.2	Prior 08/exc. Fed
32.05.02-01	Upper steering column assembly	r&r	1.0	Prior 08/exc. Fed
32.05.02-02	Upper steering column assembly	Renew	1.5	Prior 08/exc. Fed
32.05.05-02	Steering lock (see 10.17.07-02 for lock set)	Renew	0.9	Common
32.05.06-01	Horn push	r&r	0.1	Prior 08/exc. Fed
32.05.06-02	Horn push	Renew	0.1	Prior 08/exc. Fed
32.05.07-01	Horn push contact plate	r&r	0.3	Prior 08/exc. Fed
32.05.07-02	Horn push contact plate	Renew	0.3	Prior 08/exc. Fed
32.05.08-02	Steering wheel pad	Renew	0.1	Prior 08/exc. Fed
32.05.18-01	Steering wheel assy with horn push (inc. airbag removal)	r&r	0.6	'08MY common
32.05.18-02	Steering wheel assy with horn push (inc. airbag removal)	Renew	0.6	'08MY common
32.05.19-01	Upper steering column assembly (inc. airbag removal)	r&r	1.5	'08MY common
32.05.19-02	Upper steering column assembly (inc. airbag removal)	Renew	1.7	'08MY common



ELISE

33.01

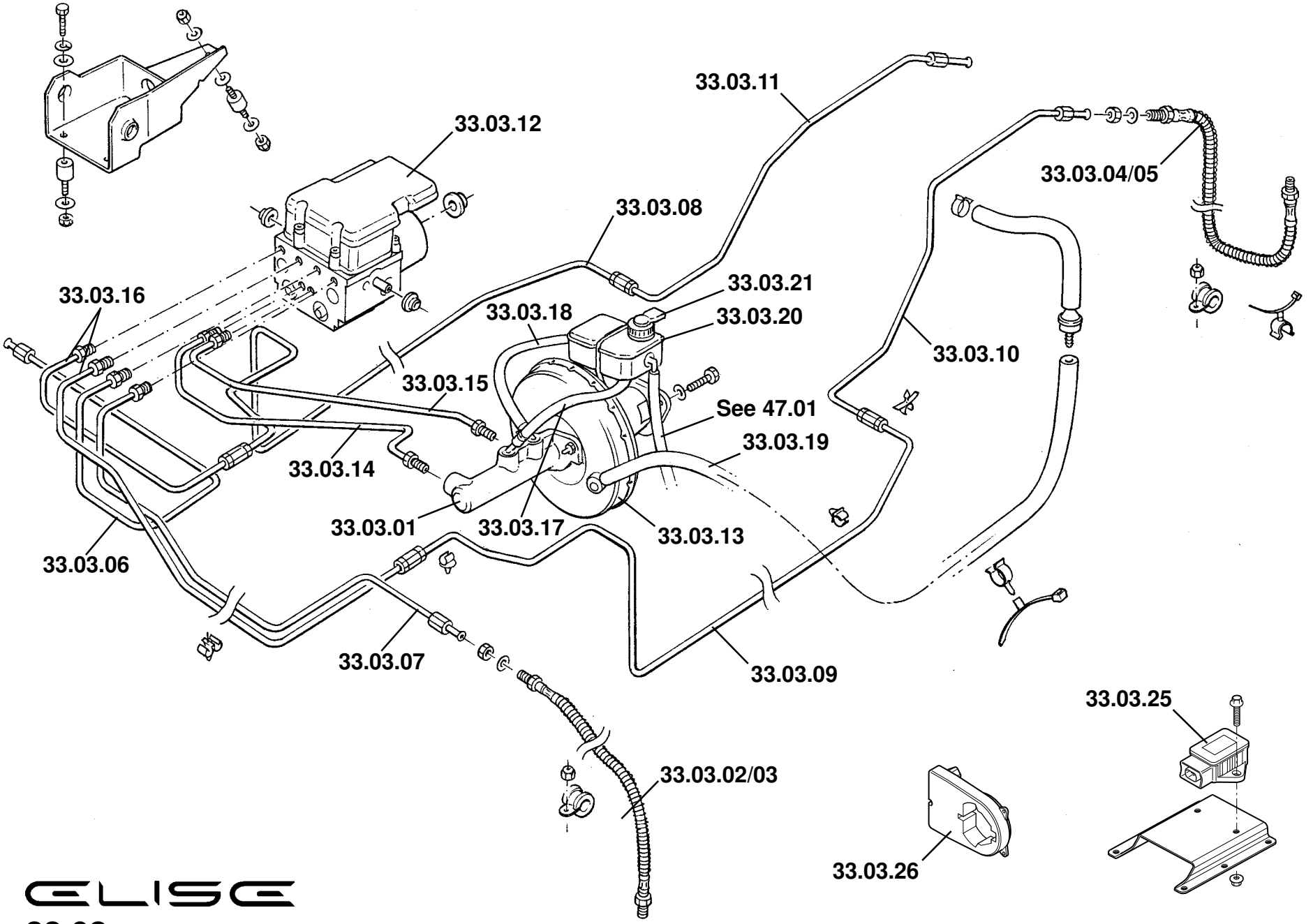


LOTUS ELISE 2004 TMC STANDARD LABOUR TIMES.

Function Area: 33.00 Brakes

Function Code: 33.01 Brake Discs & Calipers

Operation Code	Description	Op Type	Hours	Derivative
33.01.01-02	Brake disc, front (each)	Renew	0.5	Common
33.01.02-02	Brake disc, rear (each)	Renew	0.5	Common
33.01.03-01	Caliper, front RH (includes bleed)	r&r	0.5	Common
33.01.03-02	Caliper, front RH (includes bleed)	Renew	0.6	Common
33.01.04-01	Caliper, front LH (includes bleed)	r&r	0.5	Common
33.01.04-02	Caliper, front LH (includes bleed)	Renew	0.6	Common
33.01.05-01	Caliper, rear RH (includes bleed)	r&r	0.5	Common
33.01.05-02	Caliper, rear RH (includes bleed)	Renew	0.6	Common
33.01.06-01	Caliper, rear LH (includes bleed)	r&r	0.5	Common
33.01.06-02	Caliper, rear LH (includes bleed)	Renew	0.6	Common
33.01.07-02	Brake pad set, front	Renew	0.6	Common
33.01.08-02	Brake pad set, rear	Renew	0.6	Common



ELISE

33.03



LOTUS ELISE 2004 TMC STANDARD LABOUR TIMES.

Function Area: 33.00 Brakes

Function Code: 33.03 Master Cylinder, Servo, ABS Controller, Pipes & Hoses

Operation Code	Description	Op Type	Hours	Derivative
33.03.00-02	Brake system bleed	Renew	0.5	Common
33.03.01-01	Master cylinder (includes bleed) (clam removed, Exige, '11MY Elise)	r&r	1.2	Common
33.03.01-02	Master cylinder (includes bleed) (clam removed, Exige, '11MY Elise)	Renew	1.2	Common
33.03.02-02	Hose, front, RH (includes bleed) (clam removed)	Renew	0.5	Common
33.03.03-02	Hose, front, LH (includes bleed) (clam removed)	Renew	0.5	Common
33.03.04-02	Hose, rear, RH (includes bleed)	Renew	0.5	Common
33.03.05-02	Hose, rear, LH (includes bleed)	Renew	0.5	Common
33.03.06-02	Brake pipe, front, RH (includes bleed) (clam removed)	Renew	0.5	Common
33.03.07-02	Brake pipe, front, LH (includes bleed) (clam removed)	Renew	0.5	Common
33.03.08-02	Brake pipe, front to rear sill, RH (includes bleed)	Renew	1.4	Common
33.03.09-02	Brake pipe, front to rear sill, LH (includes bleed)	Renew	2.0	Common
33.03.10-02	Brake pipe, rear, LH (includes bleed)	Renew	0.5	Common
33.03.11-02	Brake pipe, rear, RH (includes bleed)	Renew	0.5	Common
33.03.12-01	ABS unit (including clamshell r&r and bleed system)	r&r	2.8	Common
33.03.12-02	ABS unit (including clamshell r&r and bleed system)	Renew	2.8	Common
33.03.13-01	Servo unit (including clamshell r&r and bleed system)	r&r	3.0	Common
33.03.13-02	Servo unit (including clamshell r&r and bleed system)	Renew	3.0	Common
33.03.14-02	Brake pipe, ABS to m/cyl. fr. port (incl. bleed)(clam off, Exige, '11MY)	Renew	0.5	Common
33.03.15-02	Brake pipe, ABS to m/cyl. rr. port (incl. bleed)(clam off, Exige, '11MY)	Renew	0.5	Common
33.03.16-02	Brake pipe, ABS to sill (each)(incl.bleed)(clam off, Exige,'11MY Elise)	Renew	0.5	Common
33.03.17-02	Hose, reservoir to master cylinder, front (clam off Exige, '11MY Elise)	Renew	0.2	Common
33.03.18-02	Hose, reservoir to master cylinder, rear (clam off '11MY Elise)	Renew	0.2	Common
33.03.19-02	Hose, vacuum servo to engine	Renew	1.5	Common
33.03.20-02	Reservoir master cylinder	Renew	0.5	Common
33.03.21-02	Reservoir cap master cylinder	Renew	0.1	Common

Function Code: 33.03, Page: 1

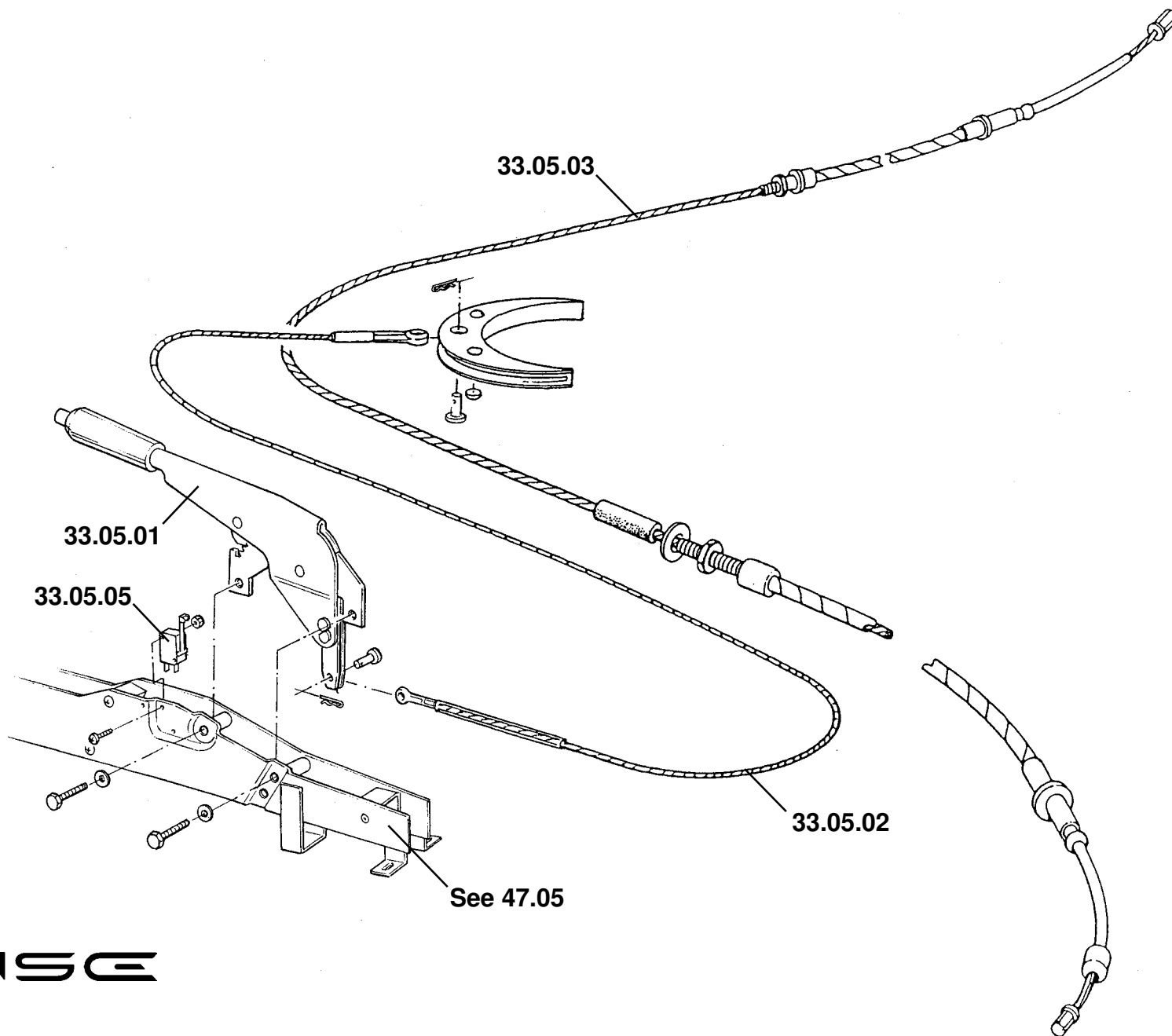


LOTUS ELISE 2004 TMC STANDARD LABOUR TIMES.

Function Area: 33.00 Brakes

Function Code: 33.03 Master Cylinder, Servo, ABS Controller, Pipes & Hoses

Operation Code	Description	Op Type	Hours	Derivative
33.03.25-01	Yaw rate sensor	r&r	1.2	Elise '11MY
33.03.25-02	Yaw rate sensor	Renew	1.2	Elise '11MY
33.03.26-01	Steering angle sensor	r&r	1.7	Elise '11MY
33.03.26-02	Steering angle sensor	Renew	1.7	Elise '11MY



ELISE

33.05

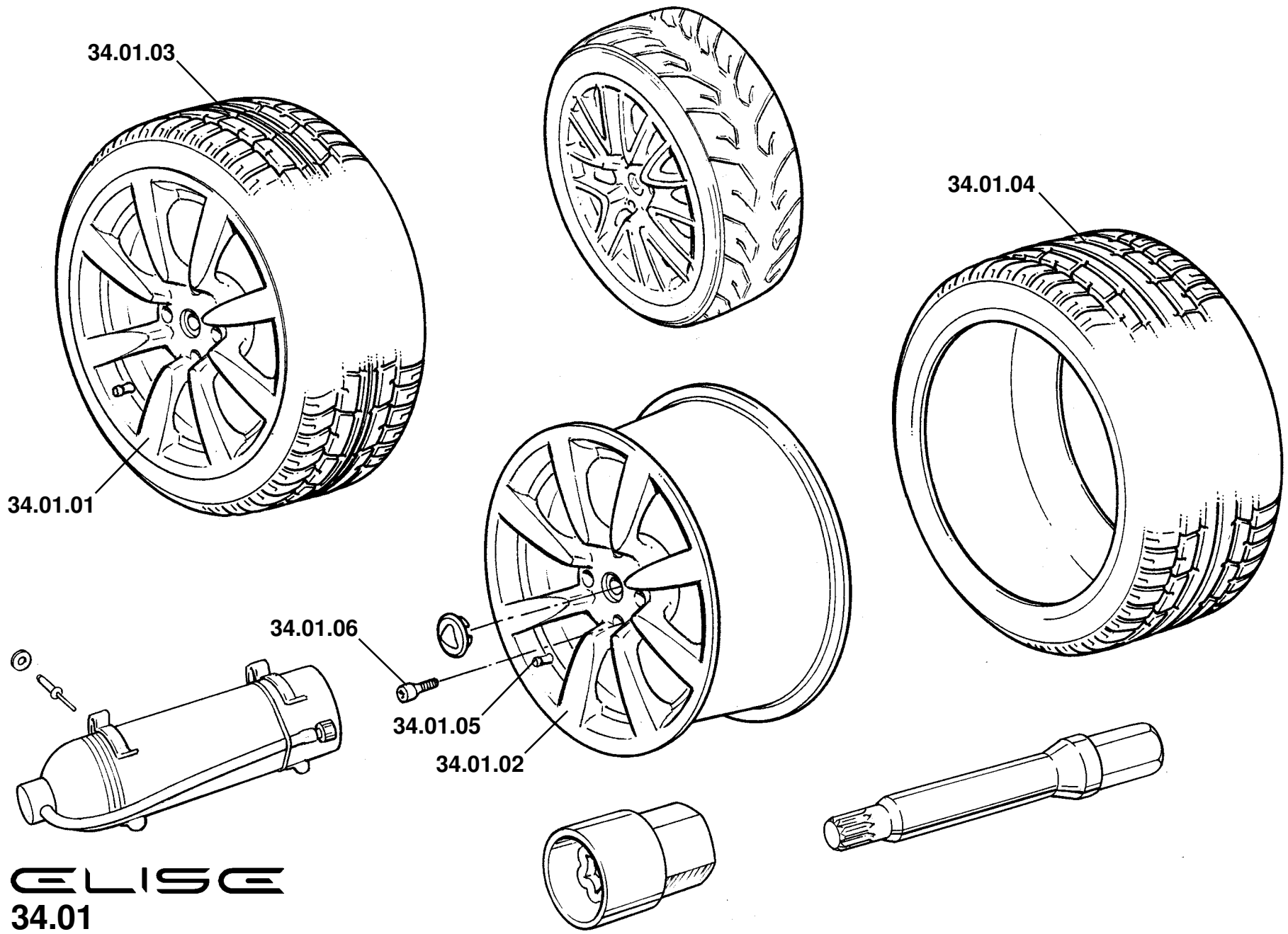


LOTUS ELISE 2004 TMC STANDARD LABOUR TIMES.

Function Area: 33.00 Brakes

Function Code: 33.05 Parking Brake Mechanism

Operation Code	Description	Op Type	Hours	Derivative
33.05.01-01	Parking brake lever assembly	r&r	1.0	Common
33.05.01-02	Parking brake lever assembly	Renew	1.0	Common
33.05.02-02	Cable, parking brake, primary	Renew	1.0	Common
33.05.03-02	Cable, parking brake, secondary	Renew	0.8	Common
33.05.05-02	Switch, parking brake tell-tale	Renew	0.5	Common



ELISE
34.01

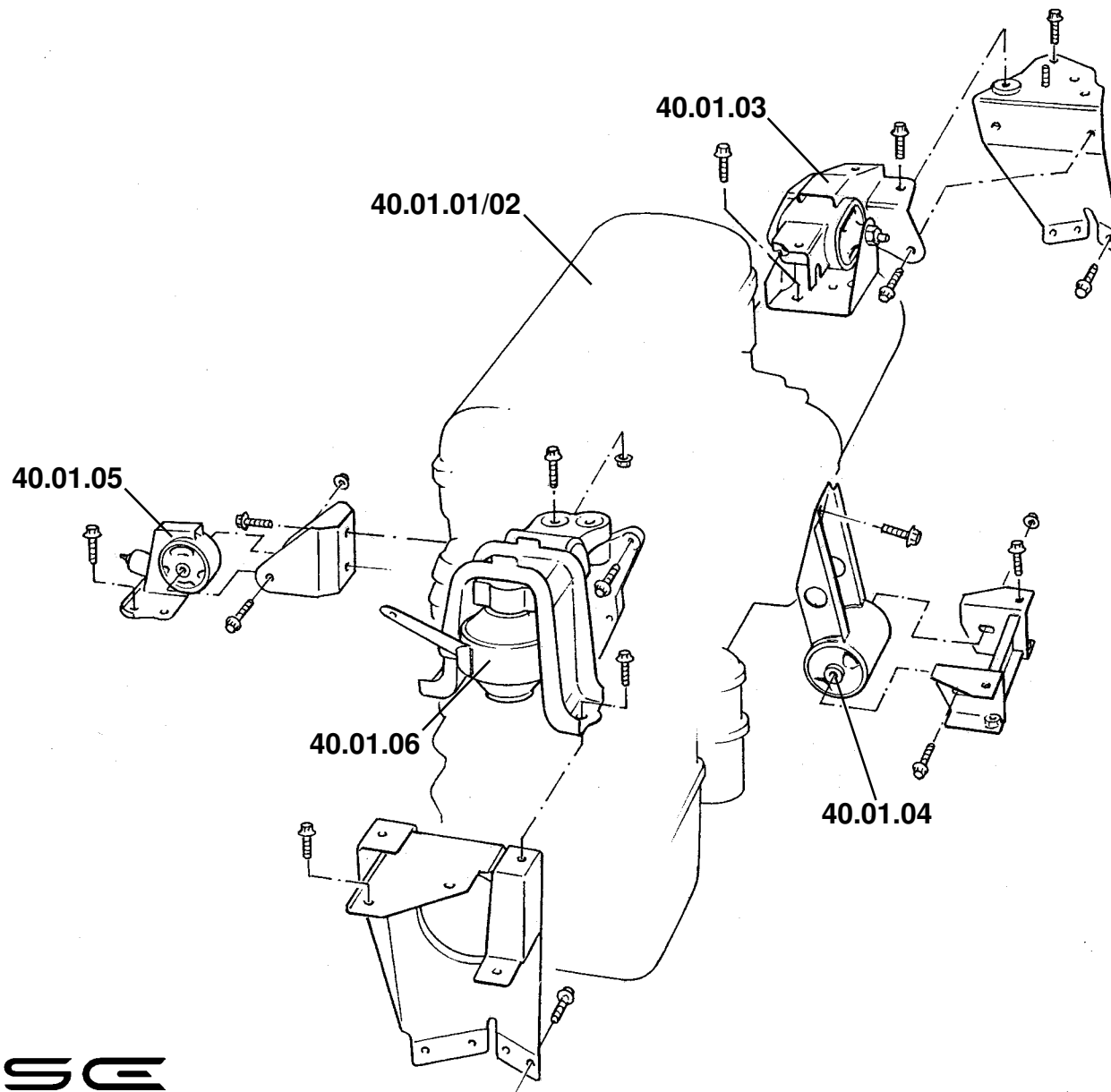


LOTUS ELISE 2004 TMC STANDARD LABOUR TIMES.

Function Area: 34.00 Wheels & Tyres

Function Code: 34.01 Wheels, Tyres & Valves

Operation Code	Description	Op Type	Hours	Derivative
34.01.01-02	Road wheel, front (one, including balance)	Renew	0.4	Common
34.01.02-02	Road wheel, rear (one, including balance)	Renew	0.4	Common
34.01.03-02	Tyre, front (one, including balance)	Renew	0.4	Common
34.01.04-02	Tyre, rear (one, including balance)	Renew	0.4	Common
34.01.05-02	Tyre valve assy. (one, including balance)	Renew	0.4	Common
34.01.06-02	Wheelbolt (vehicle set)	Renew	0.4	Common
34.01.07-02	TPMS transmitter (one, including balance) (not illustrated)	Renew	0.4	Optional



ELISE
40.01

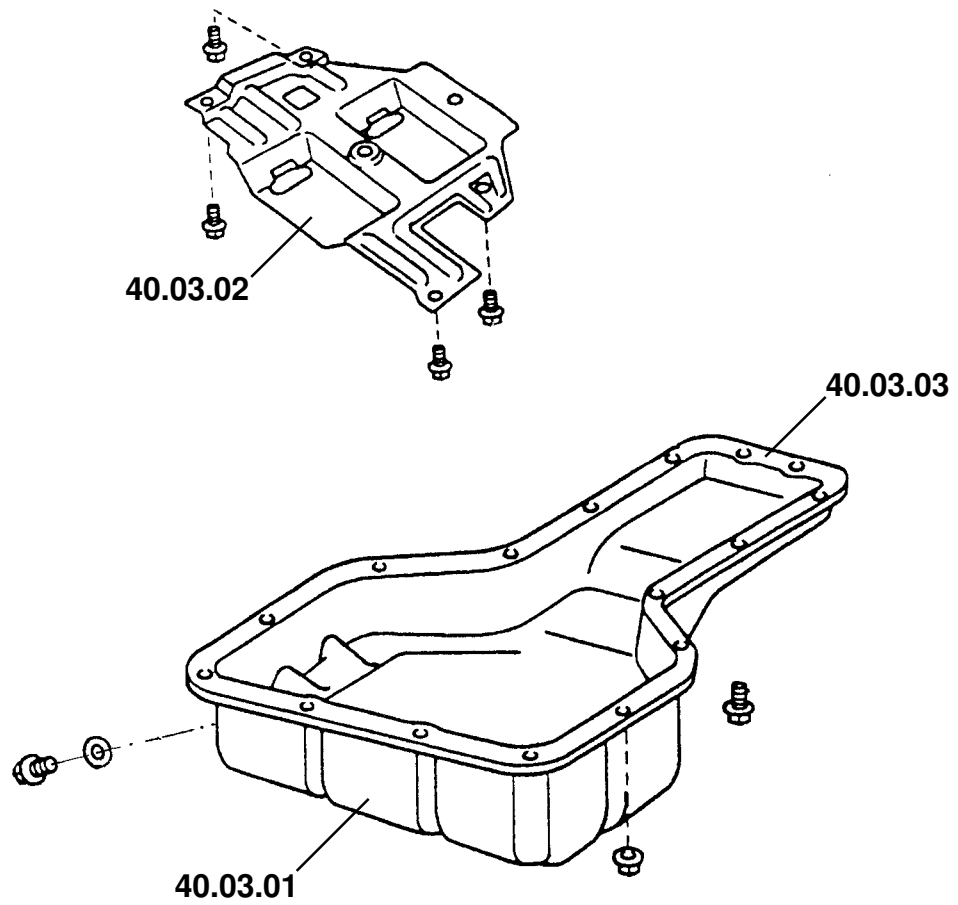


LOTUS ELISE 2004 TMC STANDARD LABOUR TIMES.

Function Area: 40.00 Engine

Function Code: 40.01 Engine Block & Mounts

Operation Code	Description	Op Type	Hours	Derivative
40.01.01-01	Engine/transmission assembly	r&r	10.0	Common
40.01.02-02	Engine & ancillaries	Renew	13.0	Common
40.01.03-01	Engine mounting, end of gearbox	r&r	1.0	Common
40.01.03-02	Engine mounting, end of gearbox	Renew	1.0	Common
40.01.04-01	Engine mounting, chassis	r&r	0.6	Common
40.01.04-02	Engine mounting, chassis	Renew	0.6	Common
40.01.05-01	Engine mounting, rear of subframe	r&r	0.6	Common
40.01.05-02	Engine mounting, rear of subframe	Renew	0.6	Common
40.01.06-01	Engine mounting, timing cover	r&r	0.6	Common
40.01.06-02	Engine mounting, timing cover	Renew	0.6	Common



ELISE
40.03

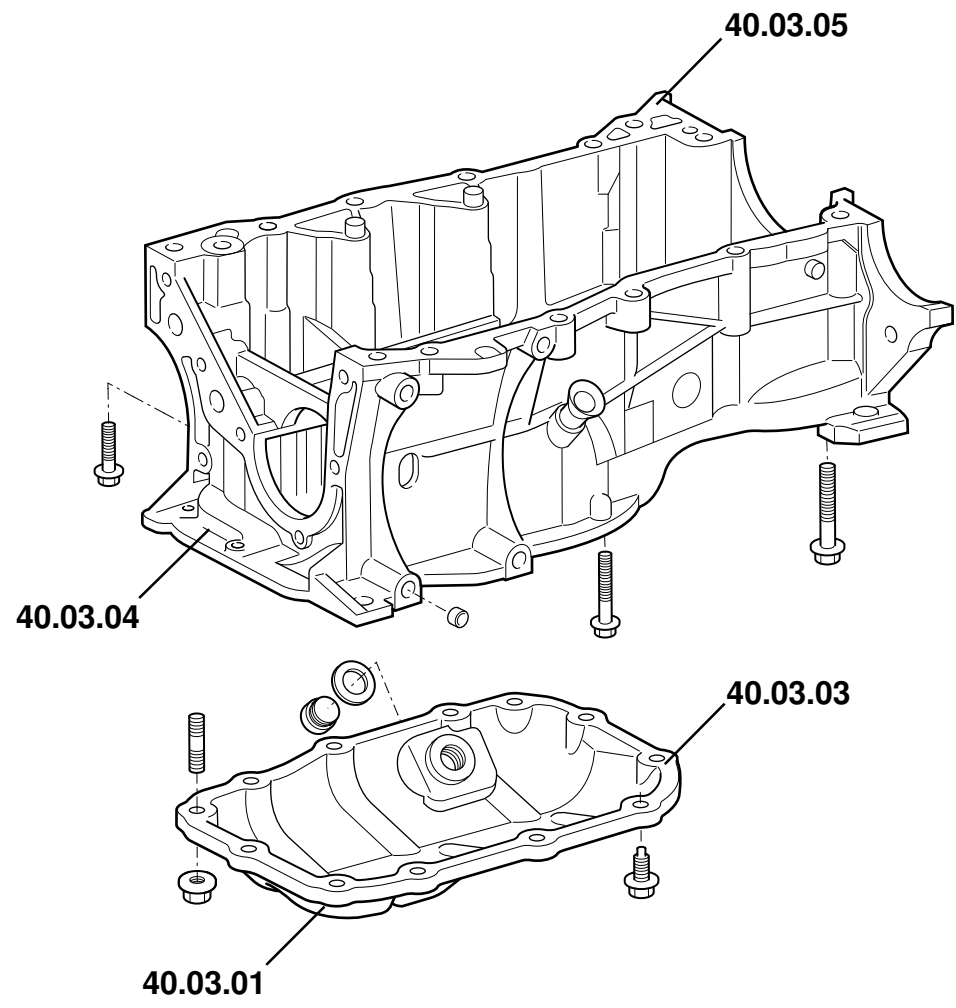


LOTUS ELISE 2004 TMC STANDARD LABOUR TIMES.

Function Area: 40.00 Engine

Function Code: 40.03 Sump Assembly

Operation Code	Description	Op Type	Hours	Derivative
40.03.01-01	Oil sump	r&r	1.6	1ZZ/2ZZ only
40.03.01-02	Oil sump	Renew	1.6	1ZZ/2ZZ only
40.03.02-01	Baffle pan	r&r	1.6	1ZZ/2ZZ only
40.03.02-02	Baffle pan	Renew	1.6	1ZZ/2ZZ only
40.03.03-02	Oil sump gasket	Renew	1.6	1ZZ/2ZZ only



ELISE
40.03

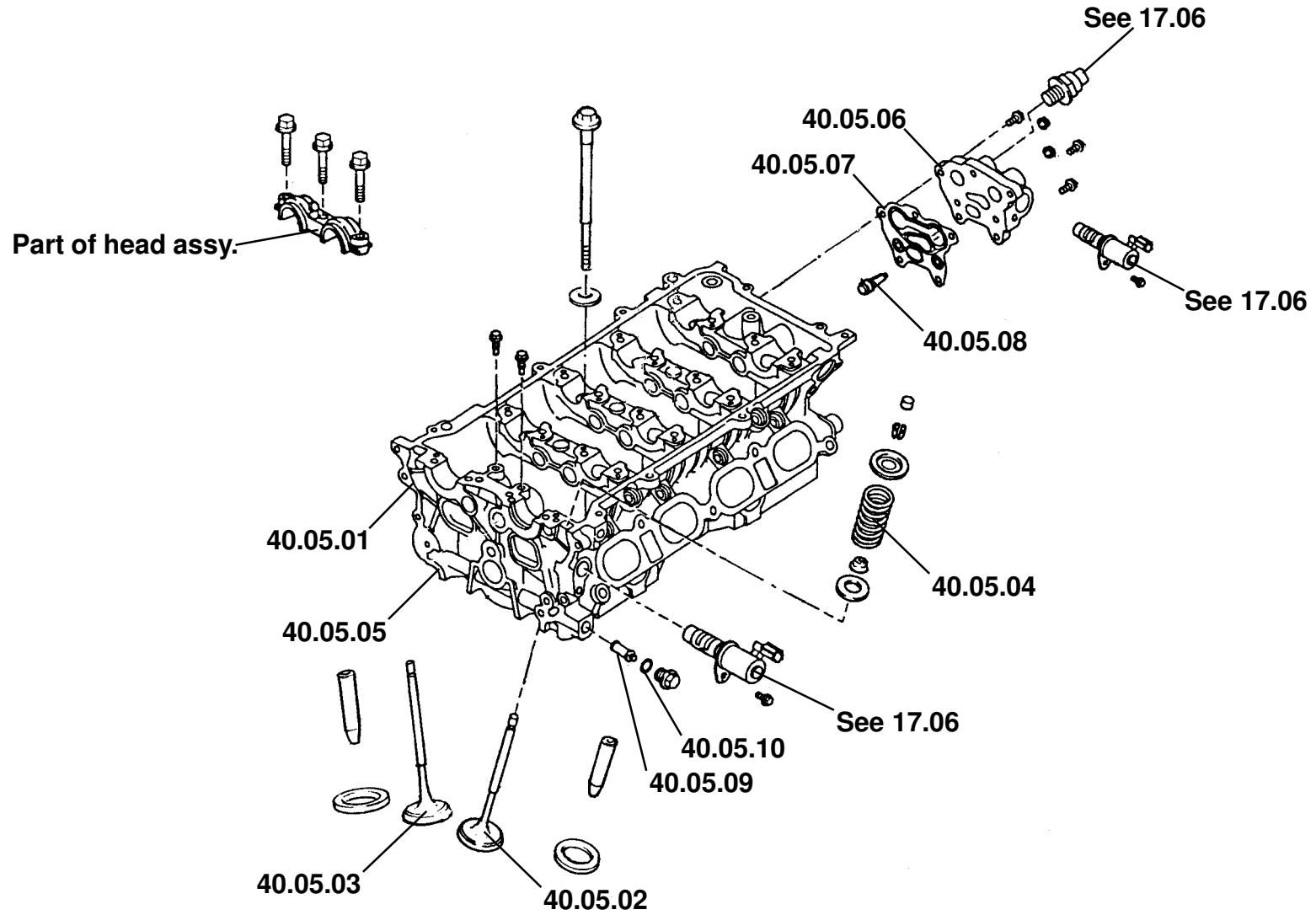


LOTUS ELISE 2011 MY STANDARD LABOUR TIMES.

Function Area: 40.00 Engine

Function Code: 40.03 Sump Assembly

Operation Code	Description	Op Type	Hours	Derivative
40.03.01-01	Oil sump, lower	r&r	1.6	1ZR engine
40.03.01-02	Oil sump, lower	Renew	1.6	1ZR engine
40.03.03-02	Oil sump gasket, lower to upper	Renew	1.6	1ZR engine
40.03.04-05	Oil sump upper (engine removed)	Renew	2.9	1ZR engine
40.03.05-05	Oil sump gasket, upper to block (engine removed)	Renew	2.9	1ZR engine



ELISE

40.05

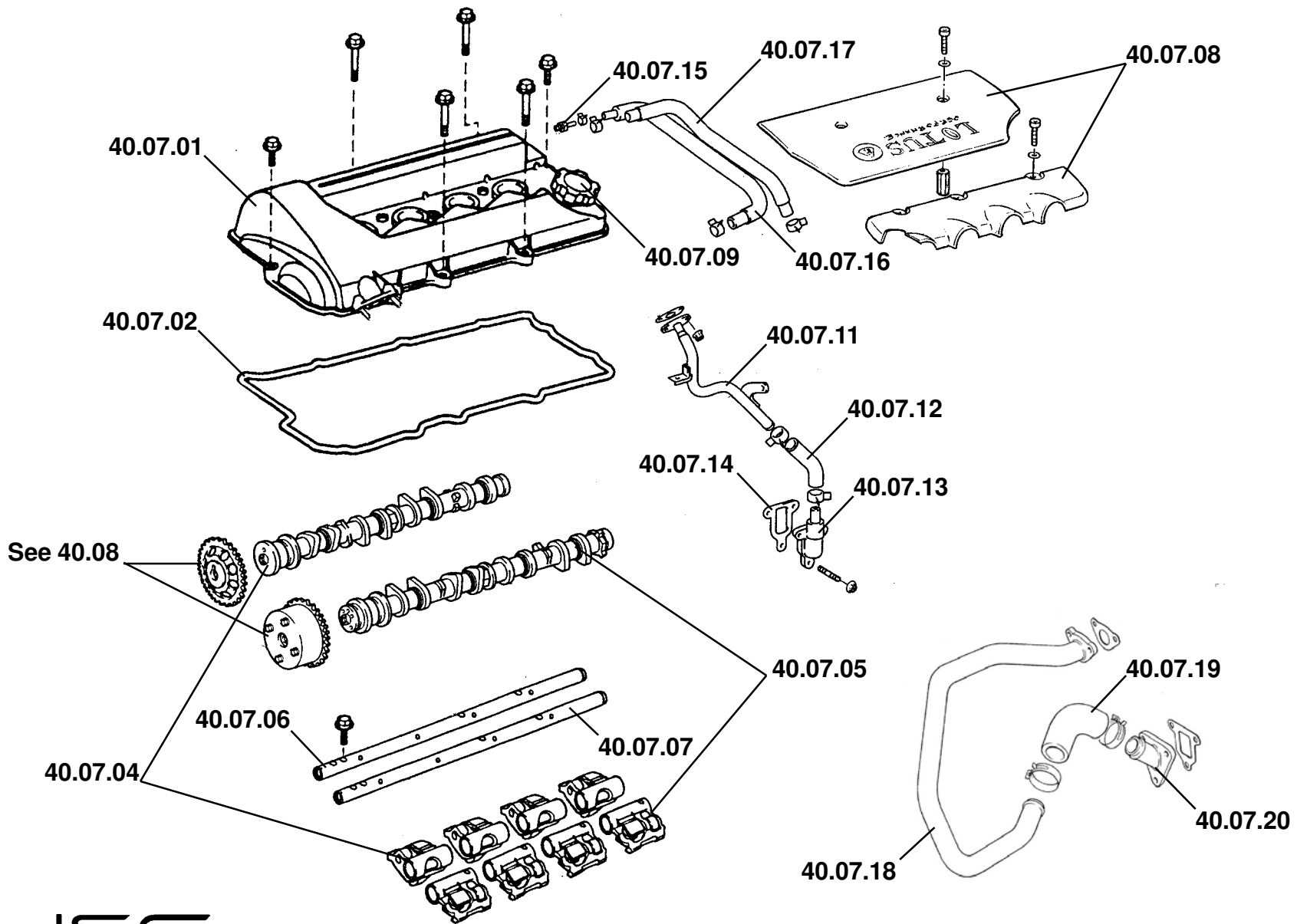


LOTUS ELISE 2004 TMC STANDARD LABOUR TIMES.

Function Area: 40.00 Engine

Function Code: 40.05 Cylinder Head , Valves, Springs

Operation Code	Description	Op Type	Hours	Derivative
40.05.01-01	Cylinder head (including clamshell removal)	r&r	9.8	1ZZ/2ZZ only
40.05.01-02	Cylinder head (including clamshell removal)	Renew	14.0	1ZZ/2ZZ only
40.05.01-04	Cylinder head, overhaul, incl.valves & guides (incl.clamshell removal)	Overhaul	18.0	1ZZ/2ZZ only
40.05.02-02	Valve, inlet (each) (excludes cylinder head r&r)	Renew	0.2	1ZZ/2ZZ only
40.05.03-02	Valve, exhaust (each) (excludes cylinder head r&r)	Renew	0.2	1ZZ/2ZZ only
40.05.04-02	Valve spring (each, excl.head r&r) (not to be used with valve renew)	Renew	0.1	1ZZ/2ZZ only
40.05.05-02	Cylinder head gasket (including clamshell removal)	Renew	11.0	1ZZ/2ZZ only
40.05.06-01	Oil control valve housing	r&r	0.8	1ZZ/2ZZ only
40.05.06-02	Oil control valve housing	Renew	0.8	1ZZ/2ZZ only
40.05.07-02	Oil control valve housing gasket	Renew	0.8	1ZZ/2ZZ only
40.05.08-02	Cylinder head oil filter (rear housing)	Renew	0.9	1ZZ/2ZZ only
40.05.09-02	Cylinder head oil filter (front)	Renew	0.5	1ZZ/2ZZ only
40.05.10-02	Cylinder head oil filter 'O' ring	Renew	0.5	1ZZ/2ZZ only



ELISE
 40.07



LOTUS ELISE 2004 TMC STANDARD LABOUR TIMES.

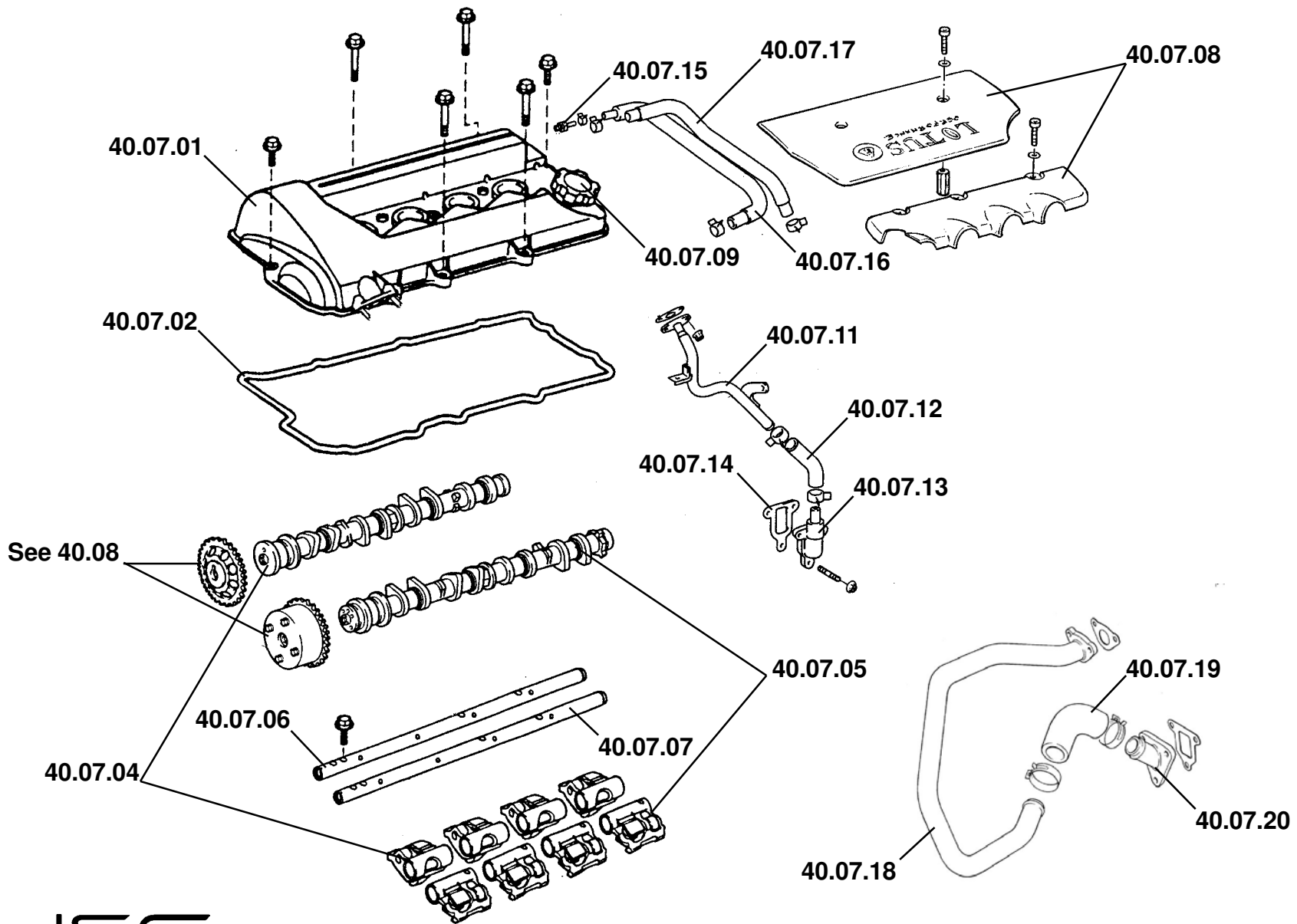
Function Area: 40.00 Engine

Function Code: 40.07 Camshafts, Tappets, Cam Cover

Operation Code	Description	Op Type	Hours	Derivative
40.07.01-01	Cam cover	r&r	0.5	1ZZ/2ZZ only
40.07.01-02	Cam cover	Renew	0.5	1ZZ/2ZZ only
40.07.02-02	Cam cover gasket	Renew	0.5	1ZZ/2ZZ only
40.07.04-01	Camshaft/Rockers, exhaust	r&r	5.0	1ZZ/2ZZ only
40.07.04-02	Camshaft/Rockers, exhaust	Renew	5.0	1ZZ/2ZZ only
40.07.05-01	Camshaft/Rockers, inlet	r&r	5.0	1ZZ/2ZZ only
40.07.05-02	Camshaft/Rockers, inlet	Renew	5.0	1ZZ/2ZZ only
40.07.06-01	Shaft exhaust rockers	r&r	5.0	1ZZ/2ZZ only
40.07.06-02	Shaft exhaust rockers	Renew	5.0	1ZZ/2ZZ only
40.07.07-01	Shaft inlet rockers	r&r	5.0	1ZZ/2ZZ only
40.07.07-02	Shaft inlet rockers	Renew	5.0	1ZZ/2ZZ only
40.07.08-01	Spark plug cover (if fitted)	r&r	0.1	1ZZ/2ZZ only
40.07.08-02	Spark plug cover (if fitted)	Renew	0.1	1ZZ/2ZZ only
40.07.09-02	Oil filler cap	Renew	0.1	1ZZ/2ZZ only
40.07.11-01	Ventilation pipe, hose to cam cover	r&r	0.4	1ZZ/2ZZ only
40.07.11-02	Ventilation pipe, hose to cam cover	Renew	0.4	1ZZ/2ZZ only
40.07.12-01	Ventilation hose, pipe to ventilation case	r&r	0.4	1ZZ/2ZZ only
40.07.12-02	Ventilation hose, pipe to ventilation case	Renew	0.4	1ZZ/2ZZ only
40.07.13-01	Ventilation case, hose to block	r&r	0.3	1ZZ/2ZZ only
40.07.13-02	Ventilation case, hose to block	Renew	0.3	1ZZ/2ZZ only
40.07.14-02	Ventilation case gasket	Renew	0.3	1ZZ/2ZZ only
40.07.15-01	PCV valve	r&r	0.2	1ZZ/2ZZ only
40.07.15-02	PCV valve	Renew	0.2	1ZZ/2ZZ only
40.07.16-01	Hose PCV valve to inlet manifold	r&r	0.1	1ZZ/2ZZ only
40.07.16-02	Hose PCV valve to inlet manifold	Renew	0.1	1ZZ/2ZZ only

Function Code: 40.07, Page: 1

Updated 6th June 2012



ELISE
 40.07

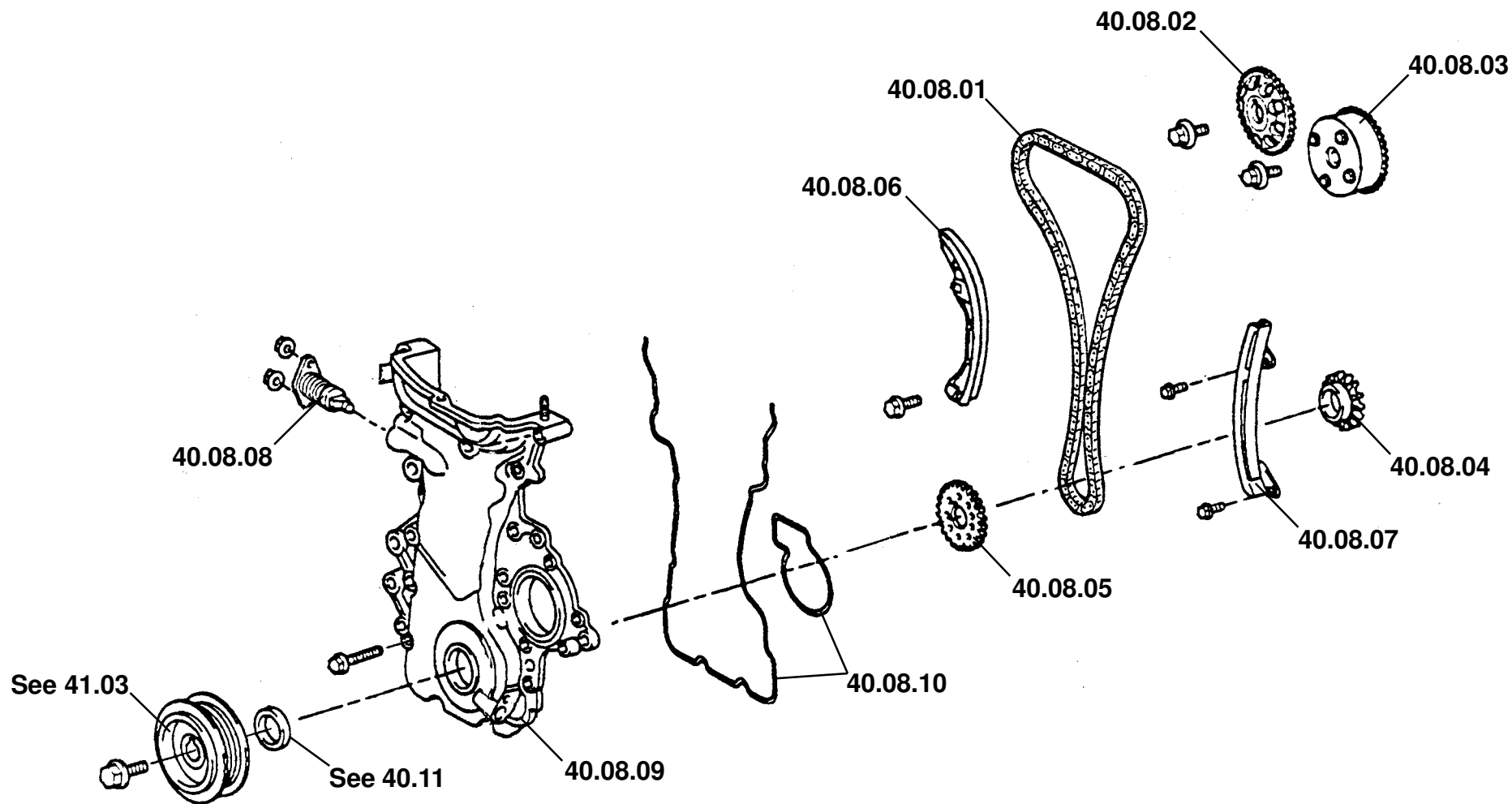


LOTUS ELISE 2004 TMC STANDARD LABOUR TIMES.

Function Area: 40.00 Engine

Function Code: 40.07 Camshafts, Tappets, Cam Cover

Operation Code	Description	Op Type	Hours	Derivative
40.07.17-01	Hose camshaft cover to throttle body	r&r	0.1	1ZZ/2ZZ only
40.07.17-02	Hose camshaft cover to throttle body	Renew	0.1	1ZZ/2ZZ only
40.07.18-01	Ventilation pipe, hose to cam cover	r&r	0.5	Exige/option
40.07.18-02	Ventilation pipe, hose to cam cover	Renew	0.5	Exige/option
40.07.19-01	Hose, pipe to spigot	r&r	0.4	Exige/option
40.07.19-02	Hose, pipe to spigot	Renew	0.4	Exige/option
40.07.20-01	Breather mounting spigot	r&r	0.4	Exige/option
40.07.20-02	Breather mounting spigot	Renew	0.4	Exige/option



ELISE

40.08

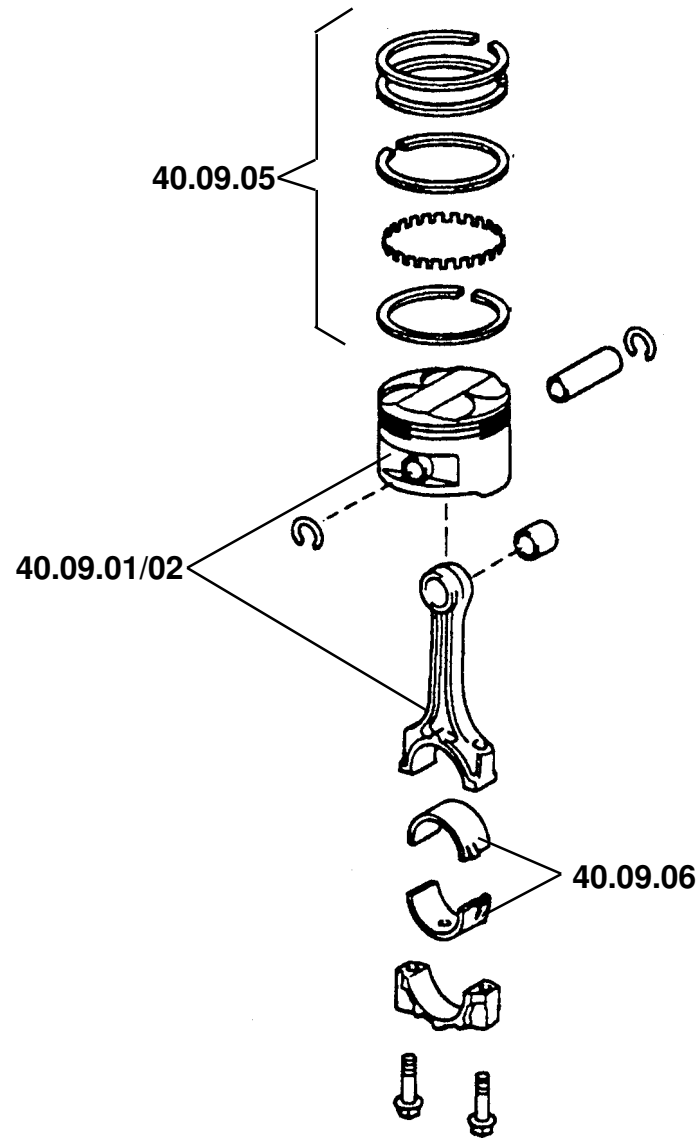


LOTUS ELISE 2004 TMC STANDARD LABOUR TIMES.

Function Area: 40.00 Engine

Function Code: 40.08 Camshaft Drive Chain & Sprockets

Operation Code	Description	Op Type	Hours	Derivative
40.08.01-01	Timing chain	r&r	5.0	Common
40.08.01-02	Timing chain	Renew	5.0	Common
40.08.02-01	Sprocket, exhaust camshaft	r&r	3.7	Common
40.08.02-02	Sprocket, exhaust camshaft	Renew	3.7	Common
40.08.03-01	Sprocket/Valve timing controller assembly, with inlet camshaft	r&r	5.7	Common
40.08.03-02	Sprocket/Valve timing controller assembly, with inlet camshaft	Renew	5.7	Common
40.08.04-01	Sprocket, drive chain, crankshaft	r&r	5.0	Common
40.08.04-02	Sprocket, drive chain, crankshaft	Renew	5.0	Common
40.08.05-01	Crank angle sensor plate	r&r	4.0	Common
40.08.05-02	Crank angle sensor plate	Renew	4.0	Common
40.08.06-01	Chain tensioner slipper	r&r	4.0	Common
40.08.06-02	Chain tensioner slipper	Renew	4.0	Common
40.08.07-01	Chain vibration damper	r&r	4.0	Common
40.08.07-02	Chain vibration damper	Renew	4.0	Common
40.08.08-01	Drive chain tensioner	r&r	0.5	Common
40.08.08-02	Drive chain tensioner	Renew	0.5	Common
40.08.09-01	Timing chain cover	r&r	3.0	Common
40.08.09-02	Timing chain cover	Renew	3.0	Common
40.08.10-02	Timing chain cover gasket	Renew	3.0	Common



ELISE
40.09

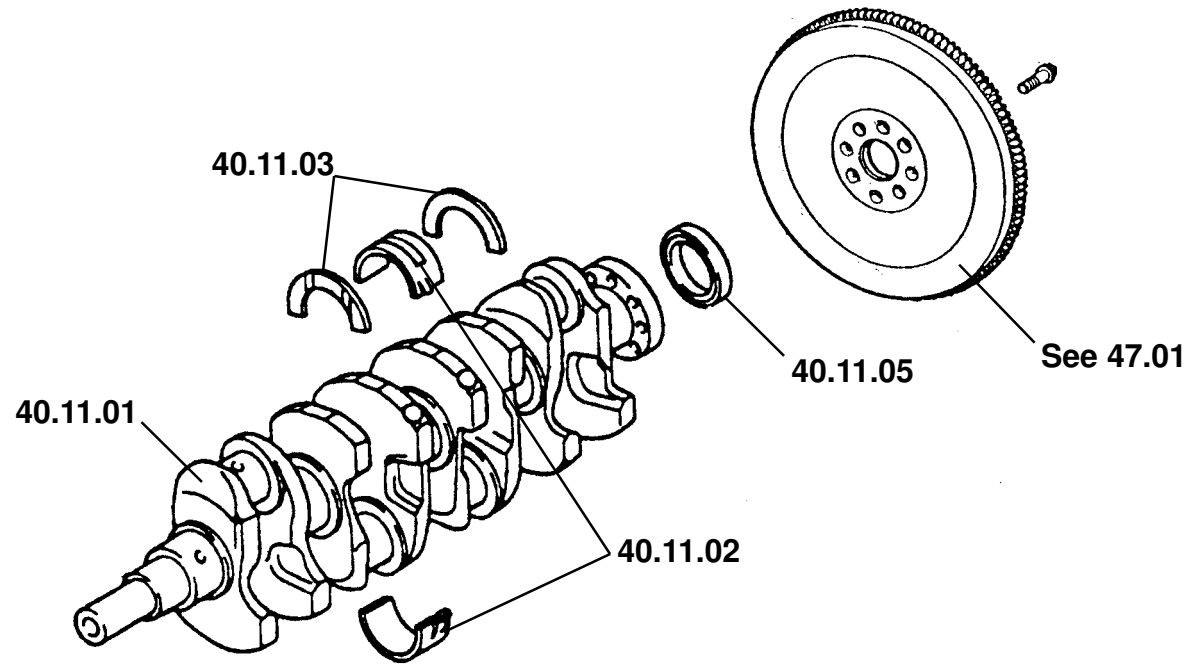


LOTUS ELISE 2004 TMC STANDARD LABOUR TIMES.

Function Area: 40.00 Engine

Function Code: 40.09 Pistons, Con-rods, Liners

Operation Code	Description	Op Type	Hours	Derivative
40.09.01-02	Piston & con rod assembly (one) (excludes engine r&r 40.01.01)	Renew	2.0	Common
40.09.02-02	Piston & con rod assembly (all) (excludes engine r&r 40.01.01)	Renew	2.8	Common
40.09.05-02	Piston ring set (all) (excludes engine r&r 40.01.01)	Renew	3.2	Common
40.09.06-02	Big end bearings set (all) (including engine removal)	Renew	15.0	Common



ELISE

40.11

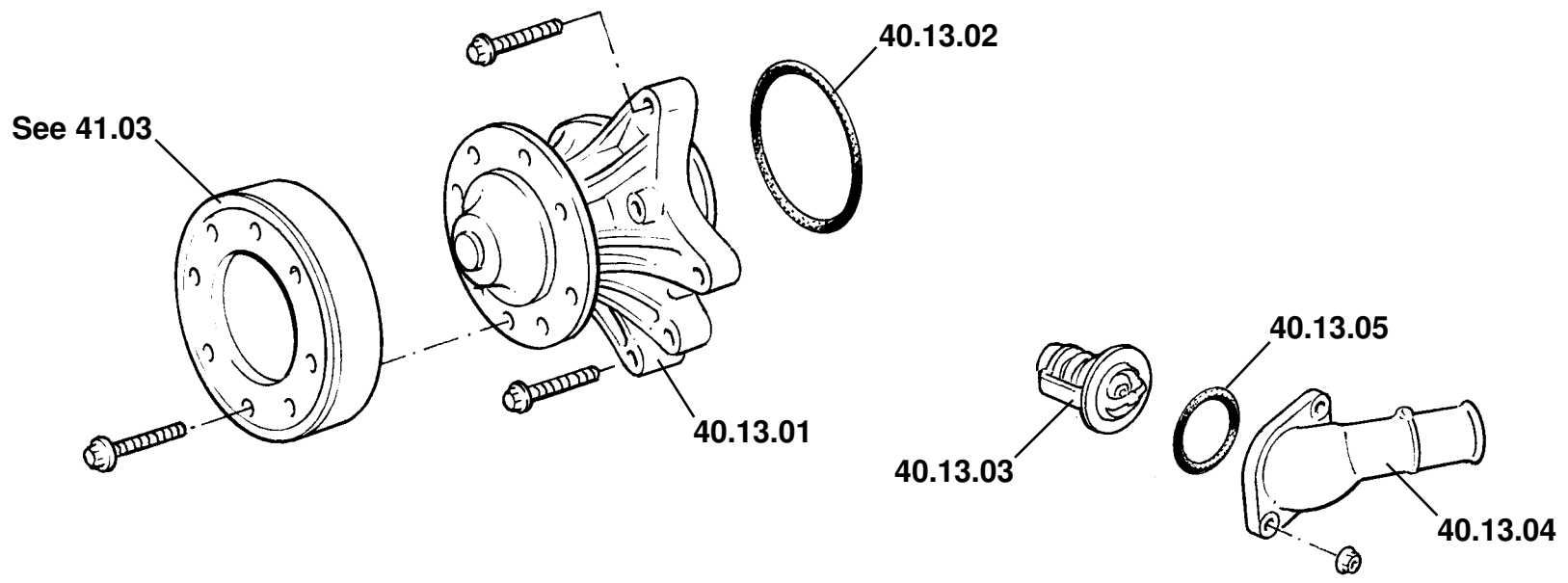


LOTUS ELISE 2004 TMC STANDARD LABOUR TIMES.

Function Area: 40.00 Engine

Function Code: 40.11 Crankshaft, Bearings, Flywheel

Operation Code	Description	Op Type	Hours	Derivative
40.11.01-01	Crankshaft (including engine removal)	r&r	15.0	Common
40.11.01-02	Crankshaft (including engine removal)	Renew	15.0	Common
40.11.02-02	Main bearing set (including engine removal)	Renew	15.0	Common
40.11.03-02	Thrust washers (including engine removal)	Renew	15.0	Common
40.11.04-02	Crankshaft oil seal front (not illustrated)	Renew	1.0	Common
40.11.05-02	Crankshaft oil seal, rear (gearbox removed, incl. flywheel removal)	Renew	1.0	Common



ELISE
40.13

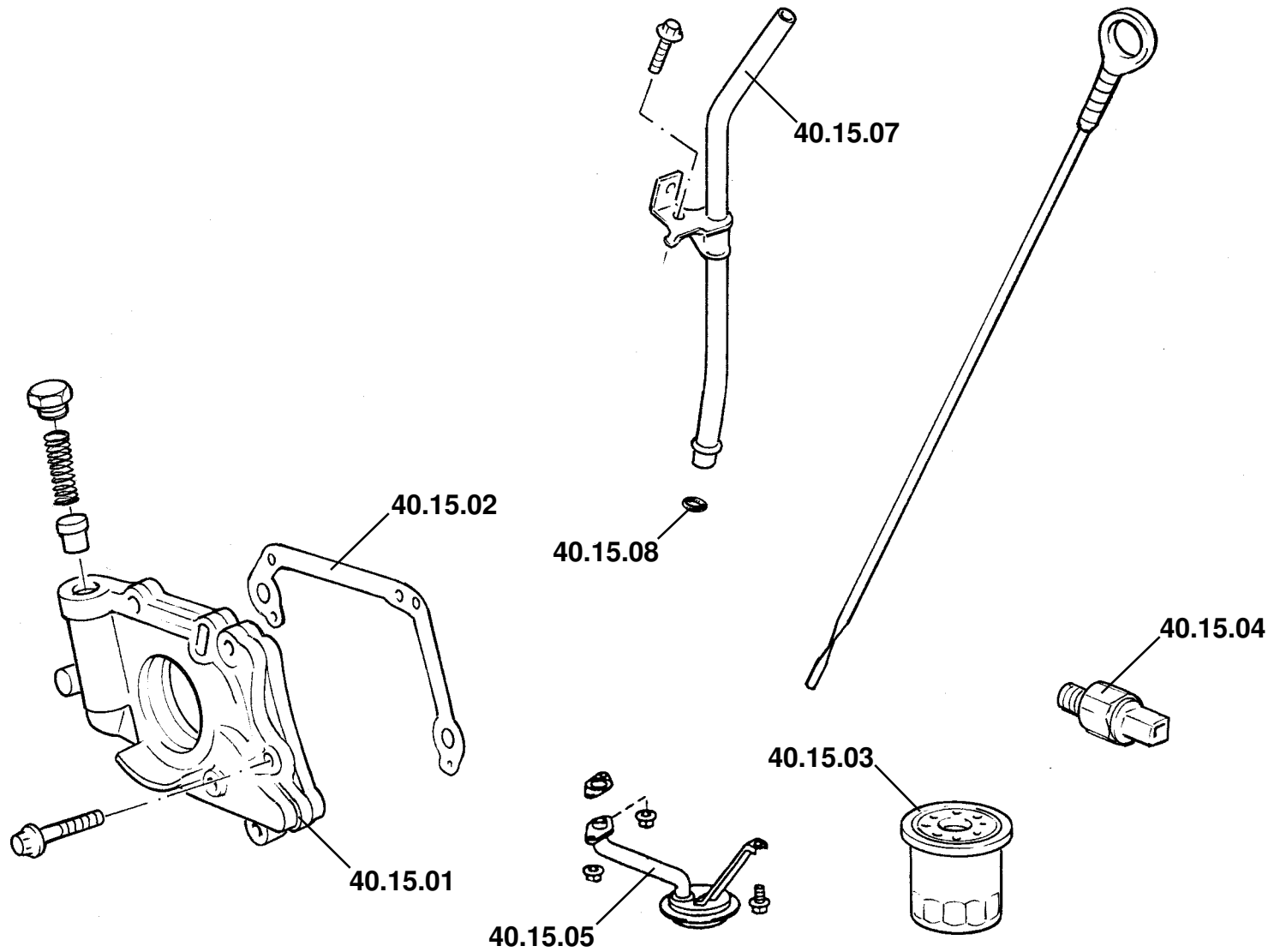


LOTUS ELISE 2004 TMC STANDARD LABOUR TIMES.

Function Area: 40.00 Engine

Function Code: 40.13 Water Pump Assembly, Thermostat

Operation Code	Description	Op Type	Hours	Derivative
40.13.01-01	Water pump assembly (including wheel arch liner removal)	r&r	2.5	Common
40.13.01-02	Water pump assembly (including wheel arch liner removal)	Renew	2.5	Common
40.13.02-02	Water pump assembly gasket (including wheel arch liner removal)	Renew	2.5	Common
40.13.03-01	Thermostat assembly	r&r	3.5	Common
40.13.03-02	Thermostat assembly	Renew	3.5	Common
40.13.04-01	Thermostat housing	r&r	3.5	Common
40.13.04-02	Thermostat housing	Renew	3.5	Common
40.13.05-01	Thermostat gasket	r&r	3.5	Common
40.13.05-02	Thermostat gasket	Renew	3.5	Common
40.13.99-99	Times include allowance for draining and refilling of coolant			



ELISE

40.15

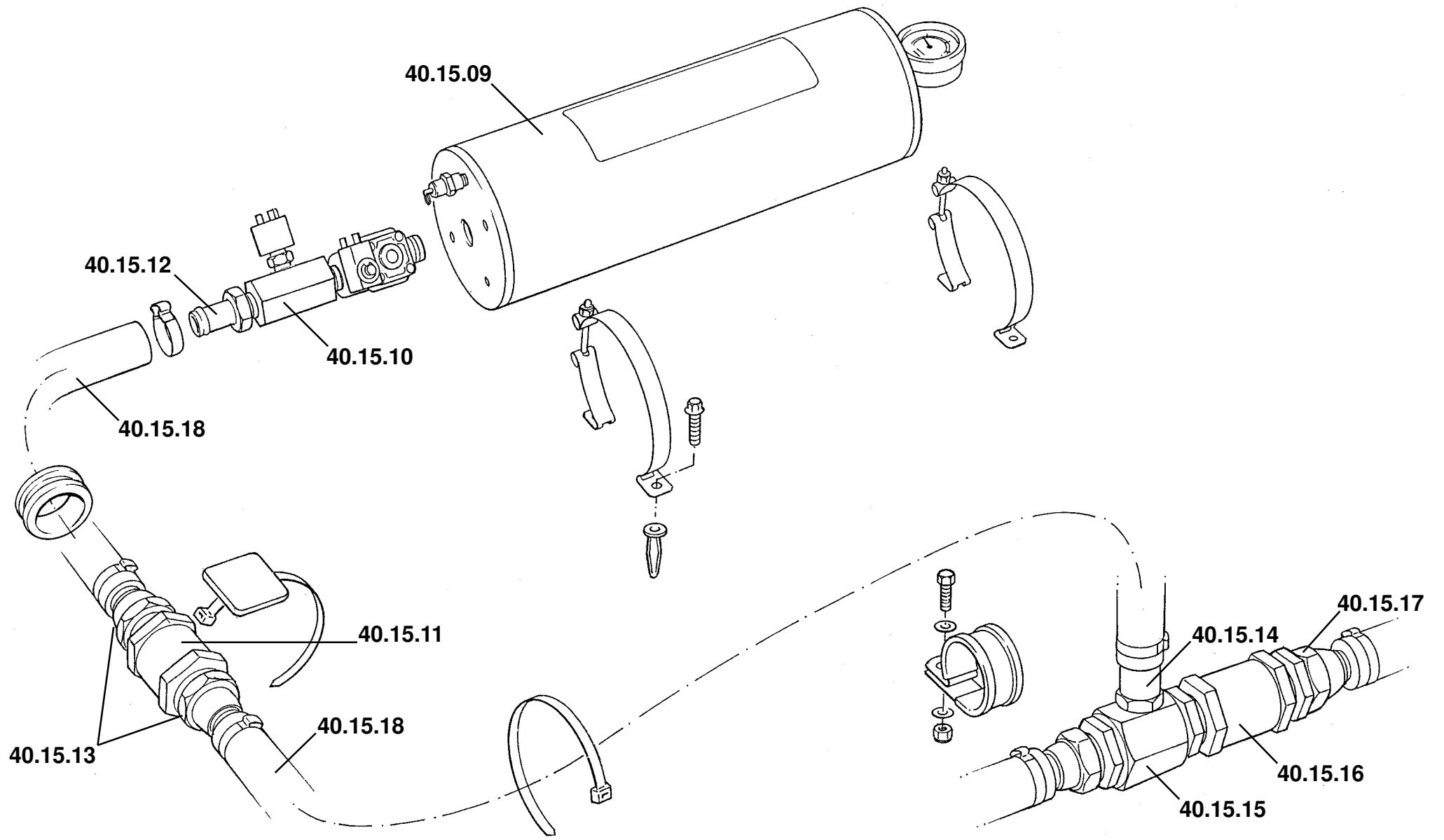


LOTUS ELISE 2004 TMC STANDARD LABOUR TIMES.

Function Area: 40.00 Engine

Function Code: 40.15 Lubrication System

Operation Code	Description	Op Type	Hours	Derivative
40.15.01-01	Oil pump assembly	r&r	4.5	Common
40.15.01-02	Oil pump assembly	Renew	4.5	Common
40.15.02-02	Gasket, oil pump block	Renew	4.5	Common
40.15.03-02	Oil filter	Renew	0.5	Common
40.15.04-01	Oil pressure switch	r&r	0.5	Common
40.15.04-02	Oil pressure switch	Renew	0.5	Common
40.15.05-01	Oil pickup and strainer (including sump r&r)	r&r	2.0	Common
40.15.05-02	Oil pickup and strainer (including sump r&r)	Renew	2.0	Common
40.15.07-01	Oil dipstick tube	r&r	0.5	Common
40.15.07-02	Oil dipstick tube	Renew	0.5	Common
40.15.08-02	Oil dipstick tube, O-Ring	Renew	0.5	Common



EXIGE
40.15

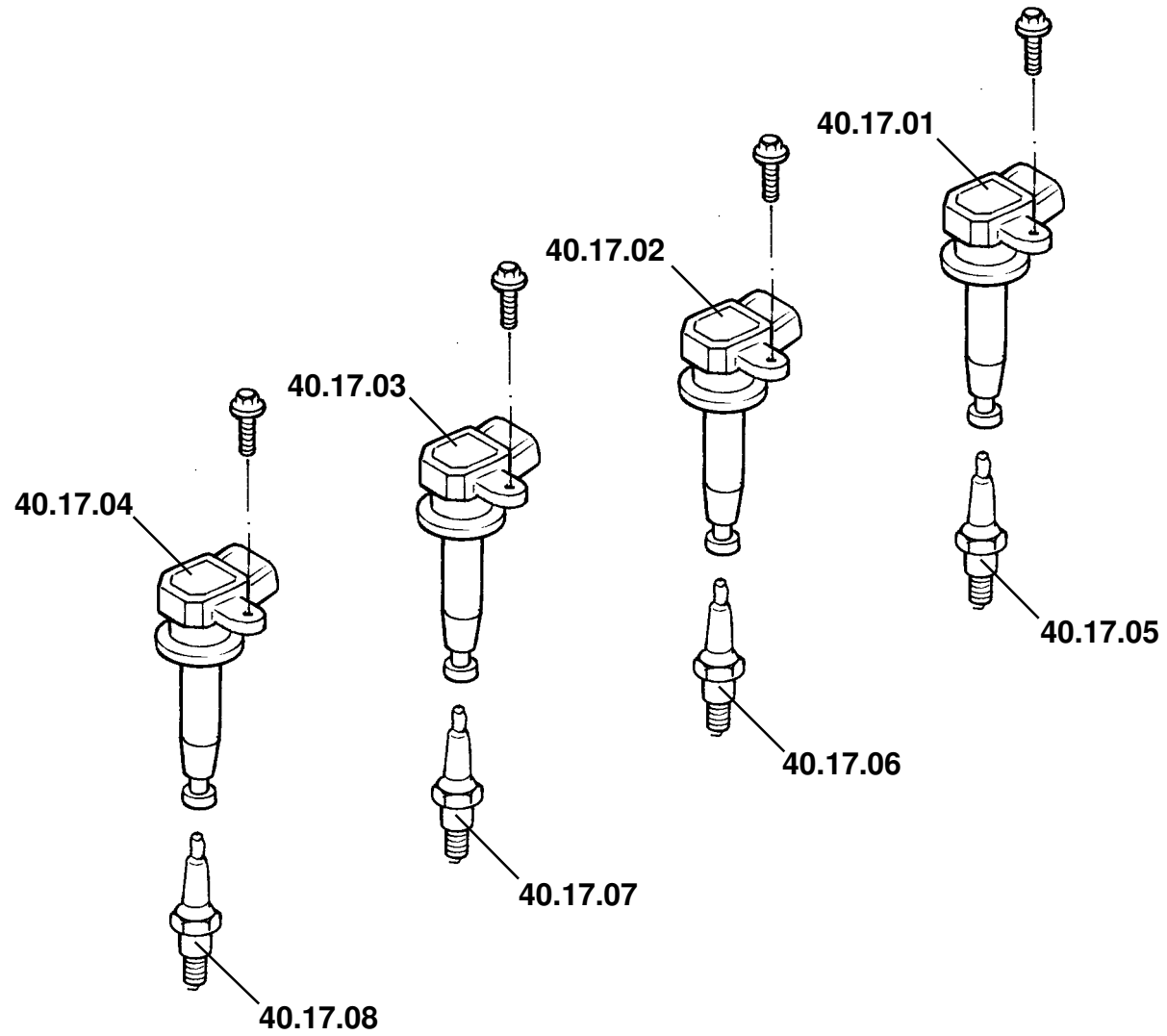


LOTUS EXIGE 2004 STANDARD LABOUR TIMES.

Function Area: 40.00 Engine

Function Code: 40.15 Lubrication System

Operation Code	Description	Op Type	Hours	Derivative
40.15.09-01	Accusump assembly	r&r	2.0	Exige option
40.15.09-02	Accusump assembly	Renew	2.0	Exige option
40.15.10-01	Valve assembly, EPC, accusump	r&r	0.2	Exige option
40.15.10-02	Valve assembly, EPC, accusump	r&r	0.2	Exige option
40.15.11-02	Oil filter, in line	Renew	0.2	Exige option
40.15.12-01	Connector, accusump, 10 JIC, for 1/2" hose	r&r	0.2	Exige option
40.15.12-01	Connector, accusump, 10 JIC, for 1/2" hose	Renew	0.2	Exige option
40.15.13-01	Connector, oil filter, -8 to 1/2" hose	r&r	0.2	Exige option
40.15.13-02	Connector, oil filter, -8 to 1/2" hose	Renew	0.2	Exige option
40.15.14-01	Connector, accusump, 1/2" NTP for 1/2" hose	r&r	0.2	Exige option
40.15.14-02	Connector, accusump, 1/2" NTP for 1/2" hose	Renew	0.2	Exige option
40.15.15-01	Connector, accusump 'T' piece	r&r	0.2	Exige option
40.15.15-02	Connector, accusump 'T' piece	Renew	0.2	Exige option
40.15.16-01	Connector, accusump one-way valve	r&r	0.2	Exige option
40.15.16-02	Connector, accusump one-way valve	Renew	0.2	Exige option
40.15.17-01	Connector, accusump, 10 JIC, for 5/8" hose	r&r	0.2	Exige option
40.15.17-02	Connector, accusump, 10 JIC, for 5/8" hose	Renew	0.2	Exige option
40.15.18-02	Hose, accusump, 1/2" ID, low pressure, black	Renew	0.2	Exige option



ELISE
40.17



LOTUS ELISE 2004 TMC STANDARD LABOUR TIMES.

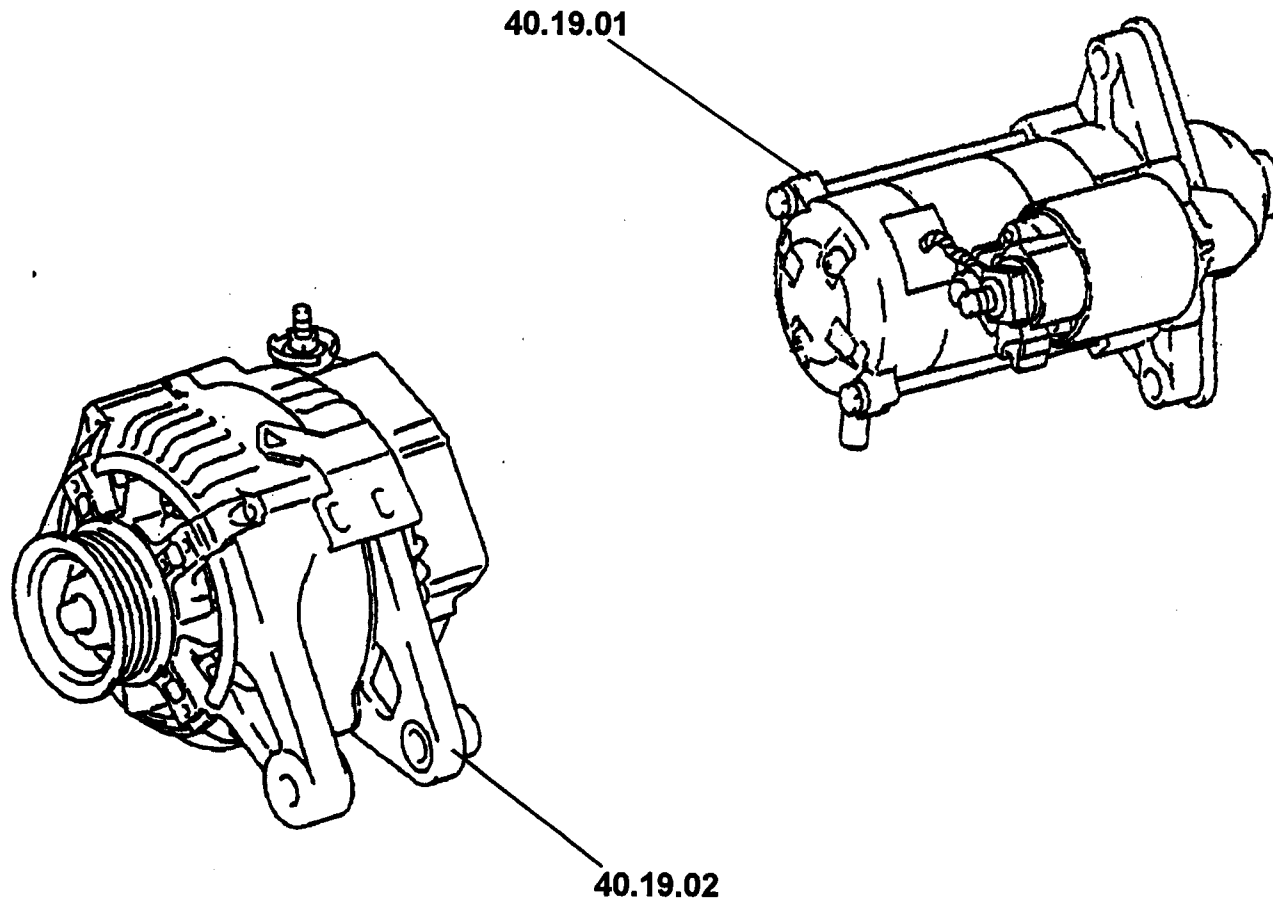
Function Area: 40.00 Engine

Function Code: 40.17 Ignition System, Spark plugs & Plug Top Coils

Operation Code	Description	Op Type	Hours	Derivative
40.17.01-01	No 1 Plug top coil (No 1 plug being closest to the timing cover)	r&r	0.2	Common
40.17.01-02	No 1 Plug top coil	Renew	0.2	Common
40.17.02-01	No 2 Plug top coil	r&r	0.2	Common
40.17.02-02	No 2 Plug top coil	Renew	0.2	Common
40.17.03-01	No 3 Plug top coil	r&r	0.2	Common
40.17.03-02	No 3 Plug top coil	Renew	0.2	Common
40.17.04-01	No 4 Plug top coil	r&r	0.2	Common
40.17.04-02	No 4 Plug top coil	Renew	0.2	Common
40.17.05-01	No 1 spark plug (incl. r&r coil pack)	r&r	0.3	Common
40.17.05-02	No 1 spark plug (incl. r&r coil pack)	Renew	0.3	Common
40.17.06-01	No 2 spark plug (incl. r&r coil pack)	r&r	0.3	Common
40.17.06-02	No 2 spark plug (incl. r&r coil pack)	Renew	0.3	Common
40.17.07-01	No 3 spark plug (incl. r&r coil pack)	r&r	0.3	Common
40.17.07-02	No 3 spark plug (incl. r&r coil pack)	Renew	0.3	Common
40.17.08-01	No 4 spark plug (incl. r&r coil pack)	r&r	0.3	Common
40.17.08-02	No 4 spark plug (incl. r&r coil pack)	Renew	0.3	Common
40.17.13-01	Spark plugs (all)	r&r	0.5	Common
40.17.13-02	Spark plugs (all)	Renew	0.5	Common

Function Code: 40.17, Page: 1

Updated 1st March 2013



ELISE
40.19

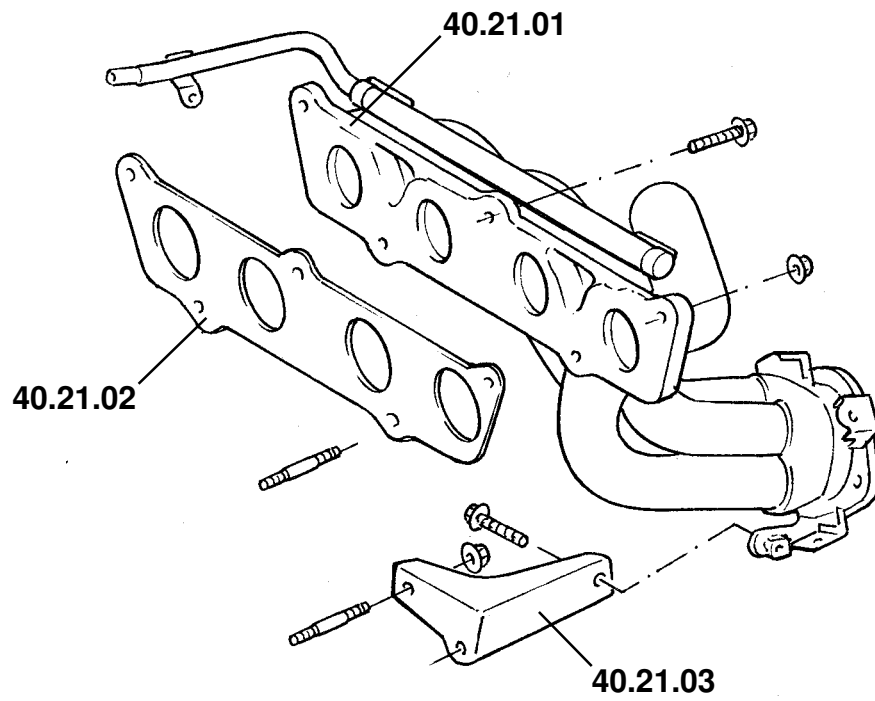


LOTUS ELISE 2004 TMC STANDARD LABOUR TIMES.

Function Area: 40.00 Engine

Function Code: 40.19 Alternator and Starter Motor

Operation Code	Description	Op Type	Hours	Derivative
40.19.01-01	Starter motor	r&r	1.6	Common
40.19.01-02	Starter motor	Renew	1.6	Common
40.19.02-00	Check alternator charge rate	Test	0.1	Common
40.19.02-01	Alternator (includes checking charging rate)	r&r	1.6	Common
40.19.02-02	Alternator (includes checking charging rate)	Renew	1.6	Common



ELISE

40.21

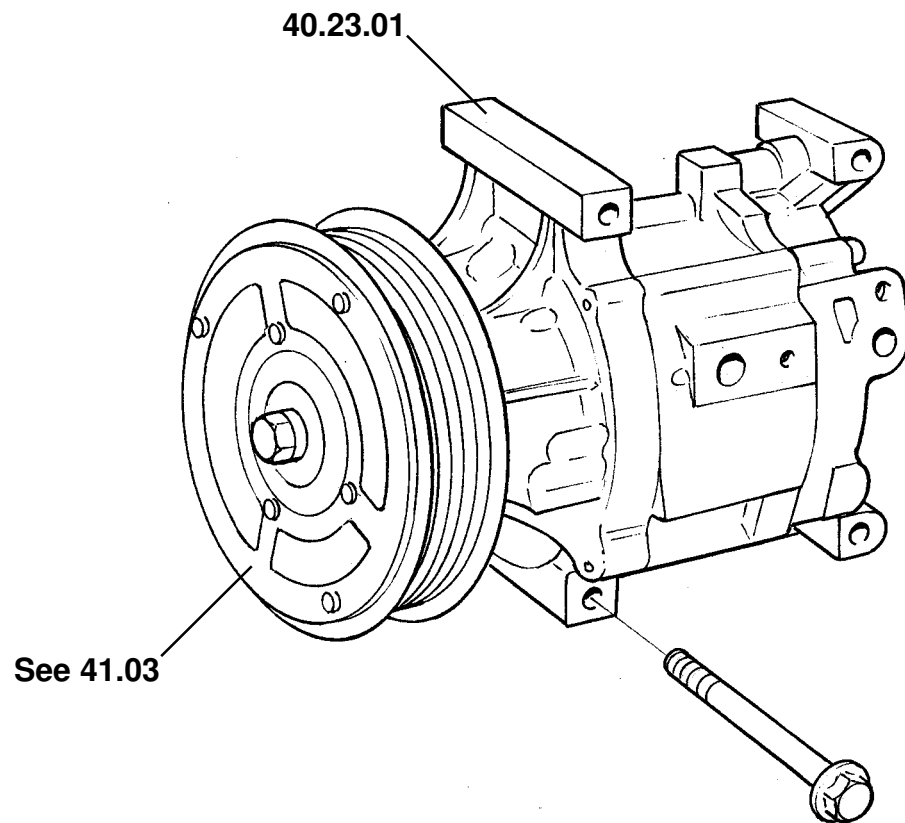


LOTUS ELISE 2004 TMC STANDARD LABOUR TIMES.

Function Area: 40.00 Engine

Function Code: 40.21 Exhaust Manifold

Operation Code	Description	Op Type	Hours	Derivative
40.21.01-01	Exhaust manifold	r&r	1.7	Common
40.21.01-02	Exhaust manifold	Renew	1.7	Common
40.21.02-02	Exhaust manifold, gasket	Renew	1.7	Common
40.21.03-01	Exhaust manifold, stay	r&r	0.5	Common
40.21.03-02	Exhaust manifold, stay	Renew	0.5	Common



ELISE
40.23

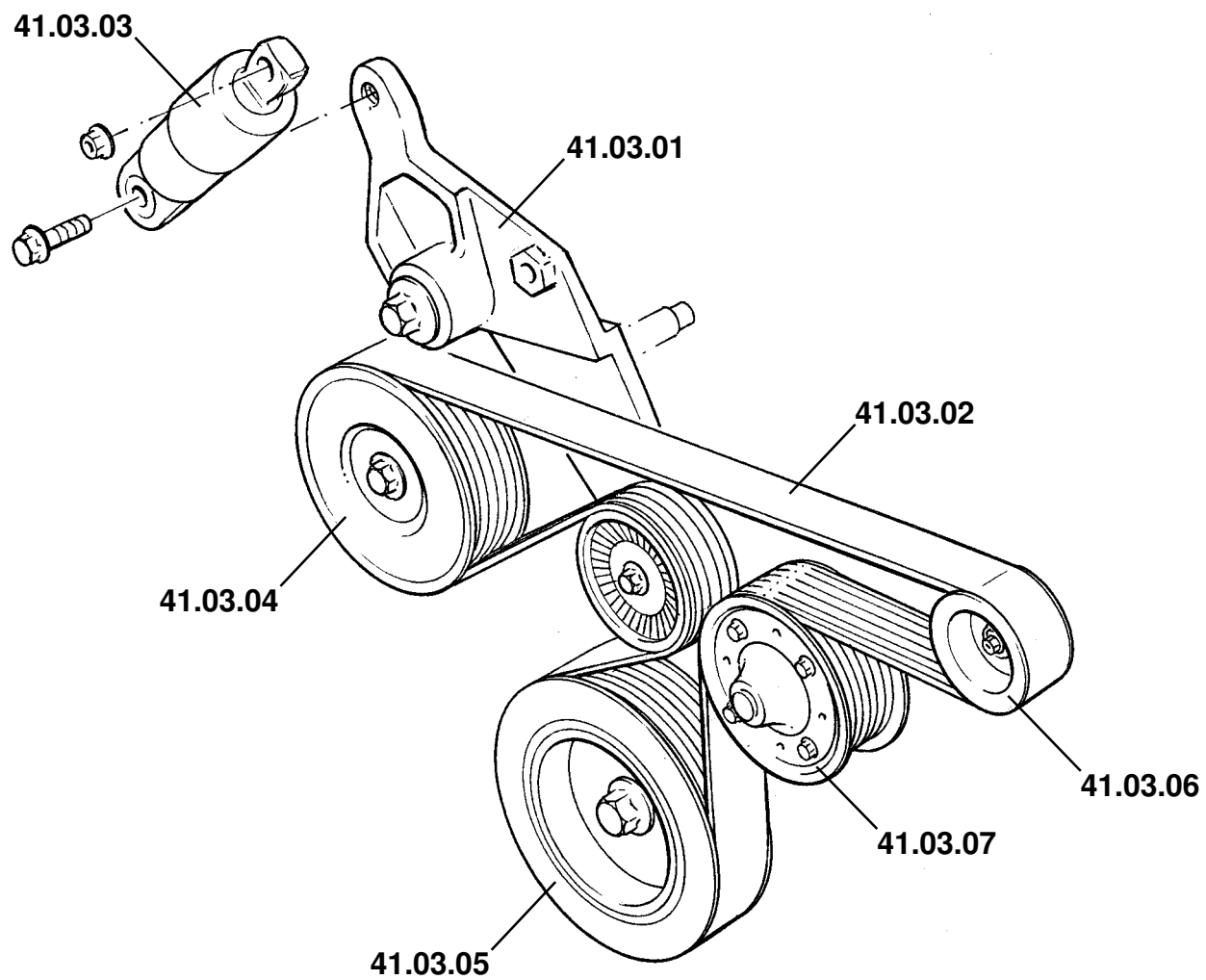


LOTUS ELISE 2004 TMC STANDARD LABOUR TIMES.

Function Area: 40.00 Engine

Function Code: 40.23 AC Compressor

Operation Code	Description	Op Type	Hours	Derivative
40.23.01-01	Compressor (including charge)	r&r	2.6	Common
40.23.01-02	Compressor (including charge)	Renew	2.6	Common
40.23.02-01	AC system, depressurise, evacuate & recharge system	r&r	0.9	Common



ELISE
41.03

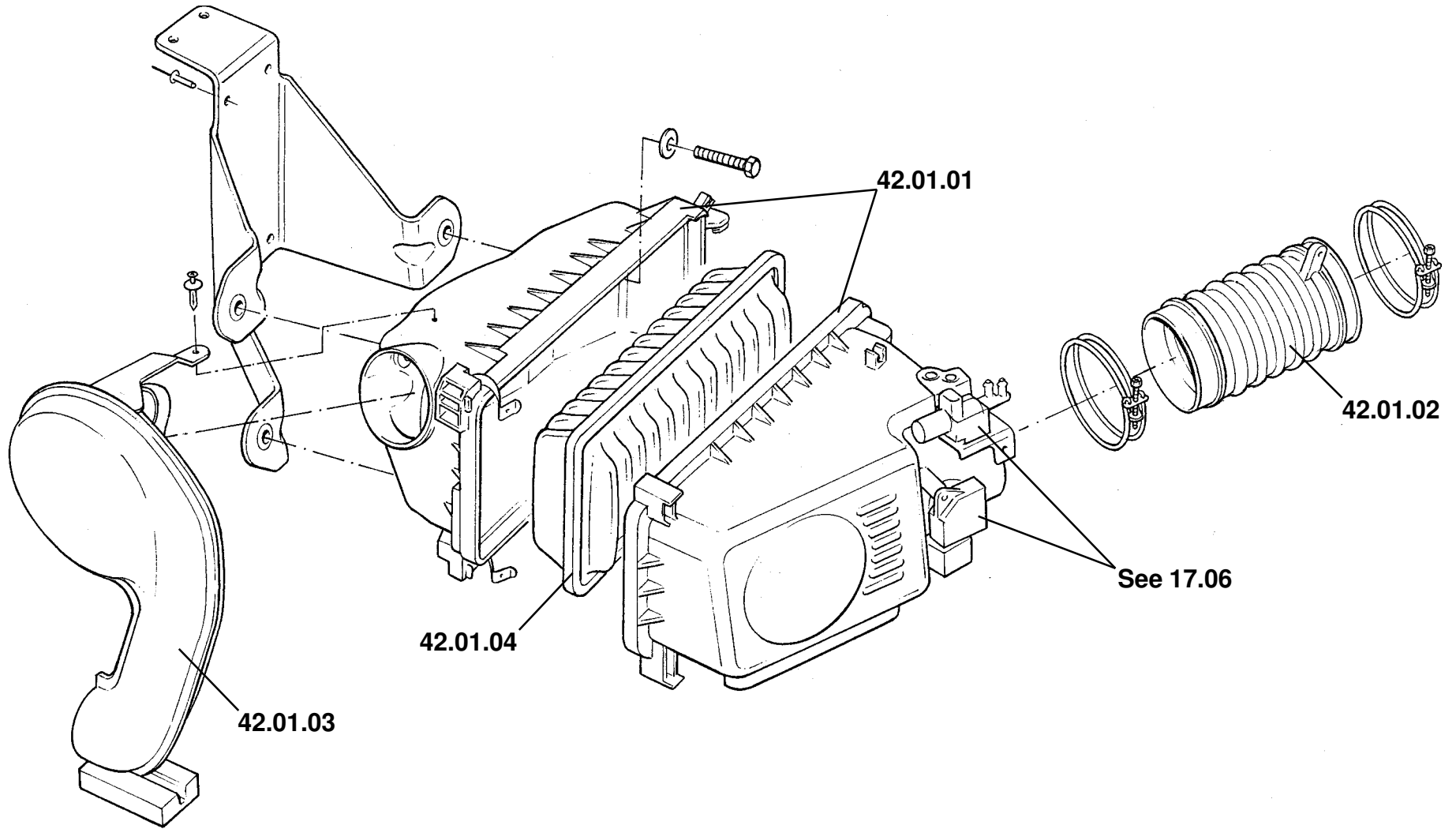


LOTUS ELISE 2004 TMC STANDARD LABOUR TIMES.

Function Area: 41.00 Belts and Pulleys

Function Code: 41.03 Auxiliary Drive Belts & Pulleys

Operation Code	Description	Op Type	Hours	Derivative
41.03.01-01	Pulley/arm assembly, belt tensioner (includes belt r&r or renew)	r&r	0.6	Common
41.03.01-02	Pulley/arm assembly, belt tensioner (includes belt r&r or renew)	Renew	0.6	Common
41.03.02-02	Auxiliary drive belt	Renew	0.5	Common
41.03.03-01	Spring belt tensioner	r&r	0.2	Common
41.03.03-02	Spring belt tensioner	Renew	0.2	Common
41.03.04-01	Idler assembly	r&r	0.5	Common
41.03.04-02	Idler assembly	Renew	0.5	Common
41.03.05-01	Pulley, crankshaft	r&r	0.5	Common
41.03.05-02	Pulley, crankshaft	Renew	0.5	Common
41.03.06-02	Pulley, alternator	Renew	0.5	Common
41.03.07-02	Pulley, water pump	Renew	0.5	Common
41.03.08-02	Pulley, AC pump (not illustrated)	Renew	0.5	Common



ELISE

42.01

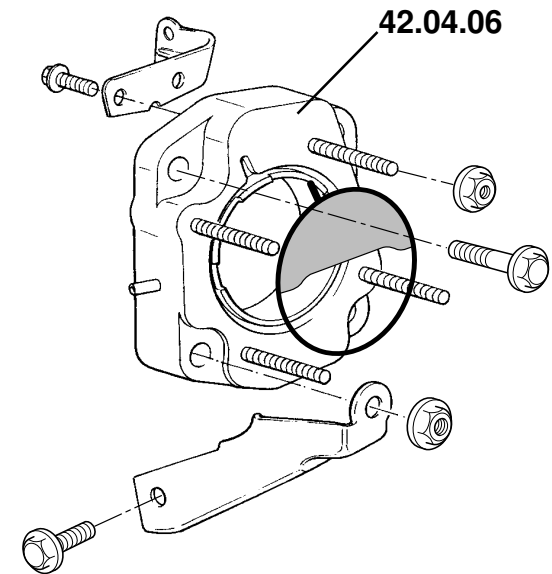
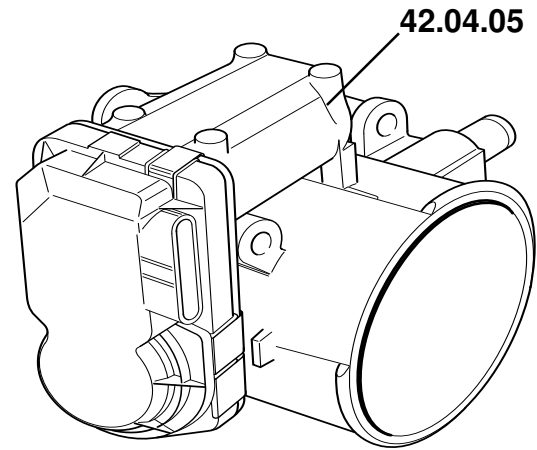
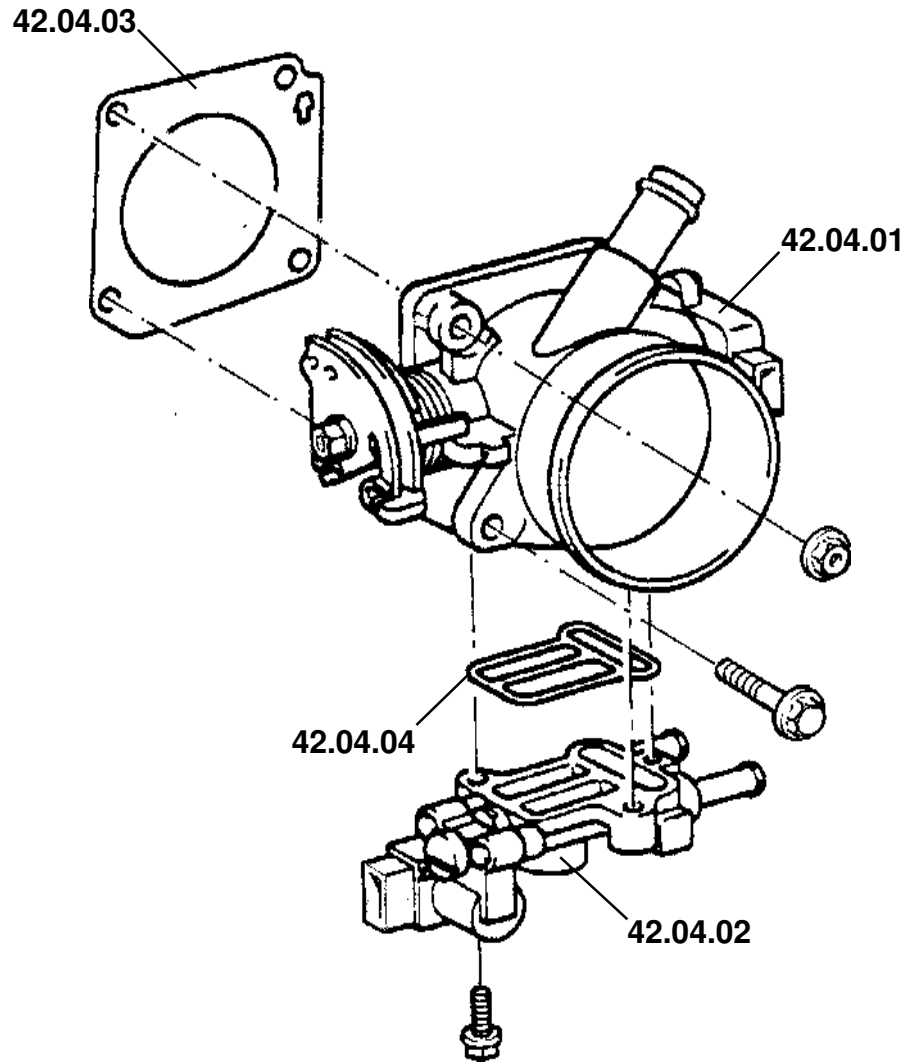


LOTUS ELISE 2004 TMC STANDARD LABOUR TIMES.

Function Area: 42.00 Induction Systems

Function Code: 42.01 Airboxes, Trunking & Air Filters

Operation Code	Description	Op Type	Hours	Derivative
42.01.01-01	Airbox (including wheel arch liner removal)	r&r	1.0	Common
42.01.01-02	Airbox (including wheel arch liner removal)	Renew	1.0	Common
42.01.02-01	Hose, airbox to throttle body	r&r	0.2	Common
42.01.02-02	Hose, airbox to throttle body	Renew	0.2	Common
42.01.03-01	Air intake snorkel assembly	r&r	0.5	Common
42.01.03-02	Air intake snorkel assembly	Renew	0.5	Common
42.01.04-02	Air filter element (including wheel arch liner removal)	Renew	0.6	Common



ELISE
42.04

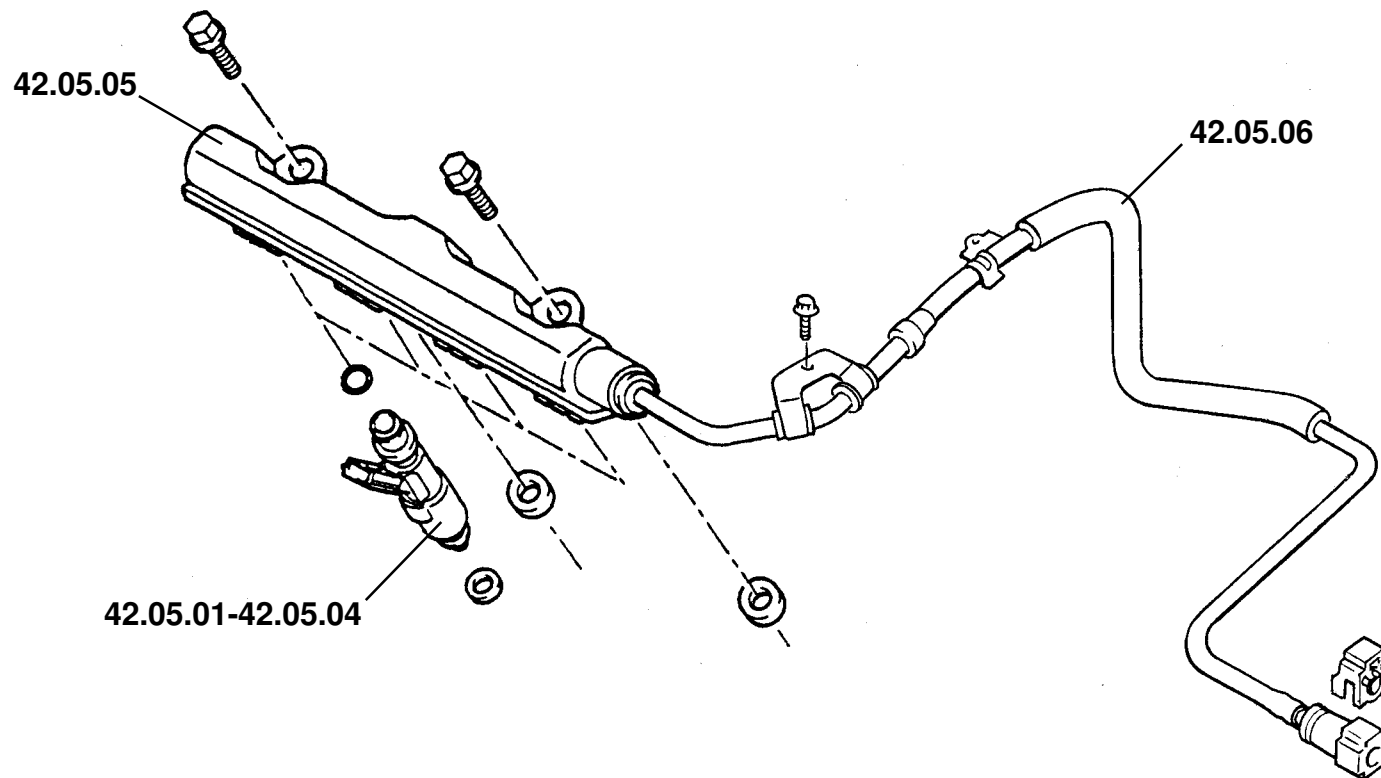


LOTUS ELISE 2004 TMC STANDARD LABOUR TIMES.

Function Area: 42.00 Induction Systems

Function Code: 42.04 Throttle Body, Mechanism & IAC Valve

Operation Code	Description	Op Type	Hours	Derivative
42.04.01-01	Throttle body, manual	r&r	1.0	Common, prior '06
42.04.01-02	Throttle body, manual	Renew	1.0	Common, prior '06
42.04.02-01	Idle air control valve (IAC)	r&r	1.2	Common, prior '06
42.04.02-02	Idle air control valve (IAC)	Renew	1.2	Common, prior '06
42.04.03-02	Gasket, throttle body	Renew	0.8	Common
42.04.04-02	Gasket, (IAC)	Renew	1.2	Common, prior '06
42.04.05-01	Throttle body, electronic	r&r	1.0	Common, '06MY on
42.04.05-02	Throttle body, electronic	Renew	1.0	Common, '06MY on
42.04.06-02	Adaptor, throttle body to manifold (1ZZ engines)	Renew	1.0	Elise S



ELISE

42.05

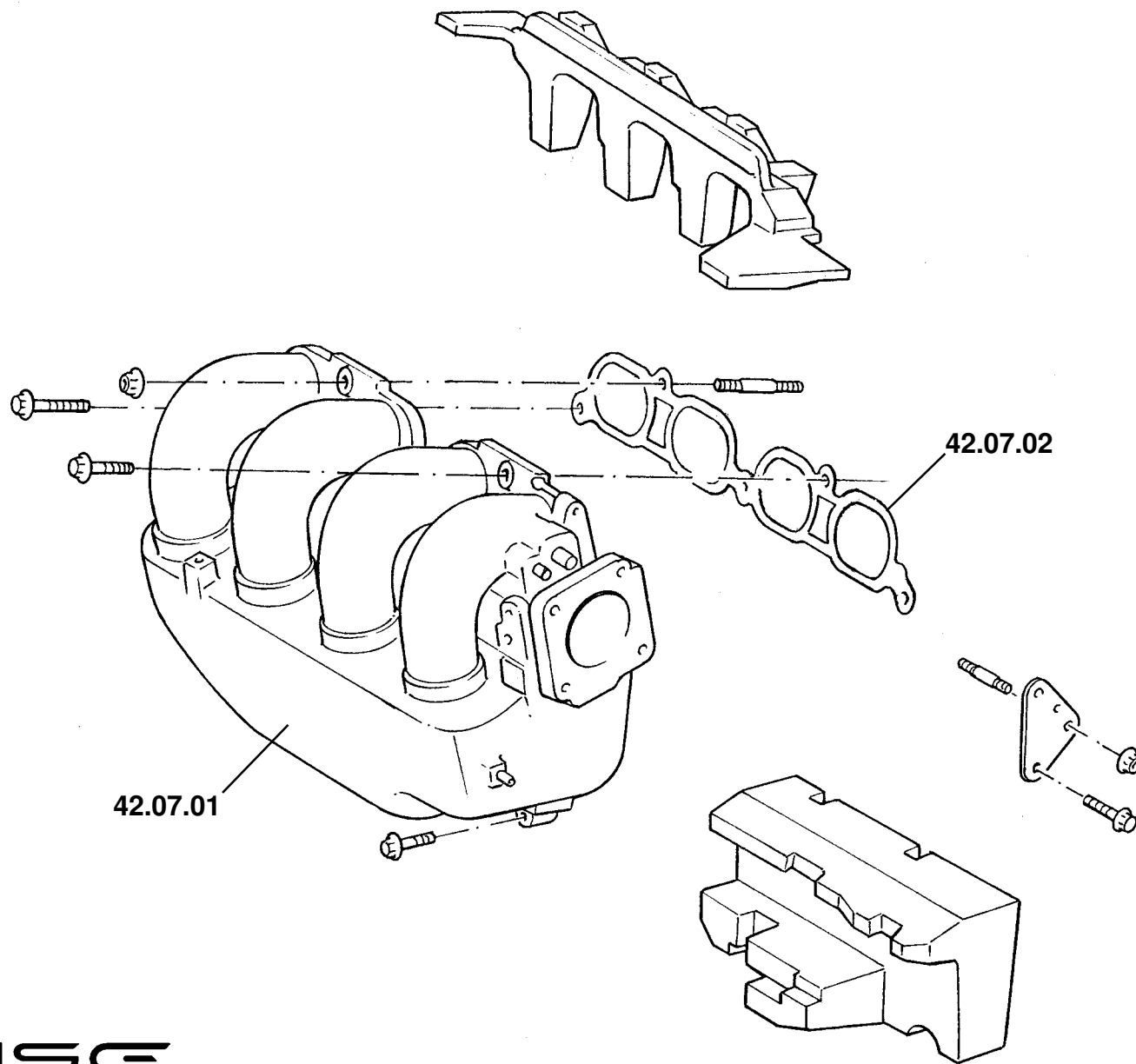


LOTUS ELISE 2004 TMC STANDARD LABOUR TIMES.

Function Area: 42.00 Induction Systems

Function Code: 42.05 Fuel Injection System

Operation Code	Description	Op Type	Hours	Derivative
42.05.01-01	No 1 Fuel injector (No 1 being closest to the timing cover)	r&r	0.6	Common
42.05.01-02	No 1 Fuel injector	Renew	0.6	Common
42.05.02-01	No 2 Fuel injector	r&r	0.6	Common
42.05.02-02	No 2 Fuel injector	Renew	0.6	Common
42.05.03-01	No 3 Fuel injector	r&r	0.6	Common
42.05.03-02	No 3 Fuel injector	Renew	0.6	Common
42.05.04-01	No 4 Fuel injector	r&r	0.6	Common
42.05.04-02	No 4 Fuel injector	Renew	0.6	Common
42.05.05-01	Fuel rail	r&r	0.4	Common
42.05.05-02	Fuel rail	Renew	0.4	Common
42.05.06-01	Fuel hose	r&r	0.2	Common
42.05.06-02	Fuel hose	Renew	0.2	Common
42.05.99-99	Fuel rail or injectors, excludes chargecooler r&r (Exige S)			



ELISE

42.07

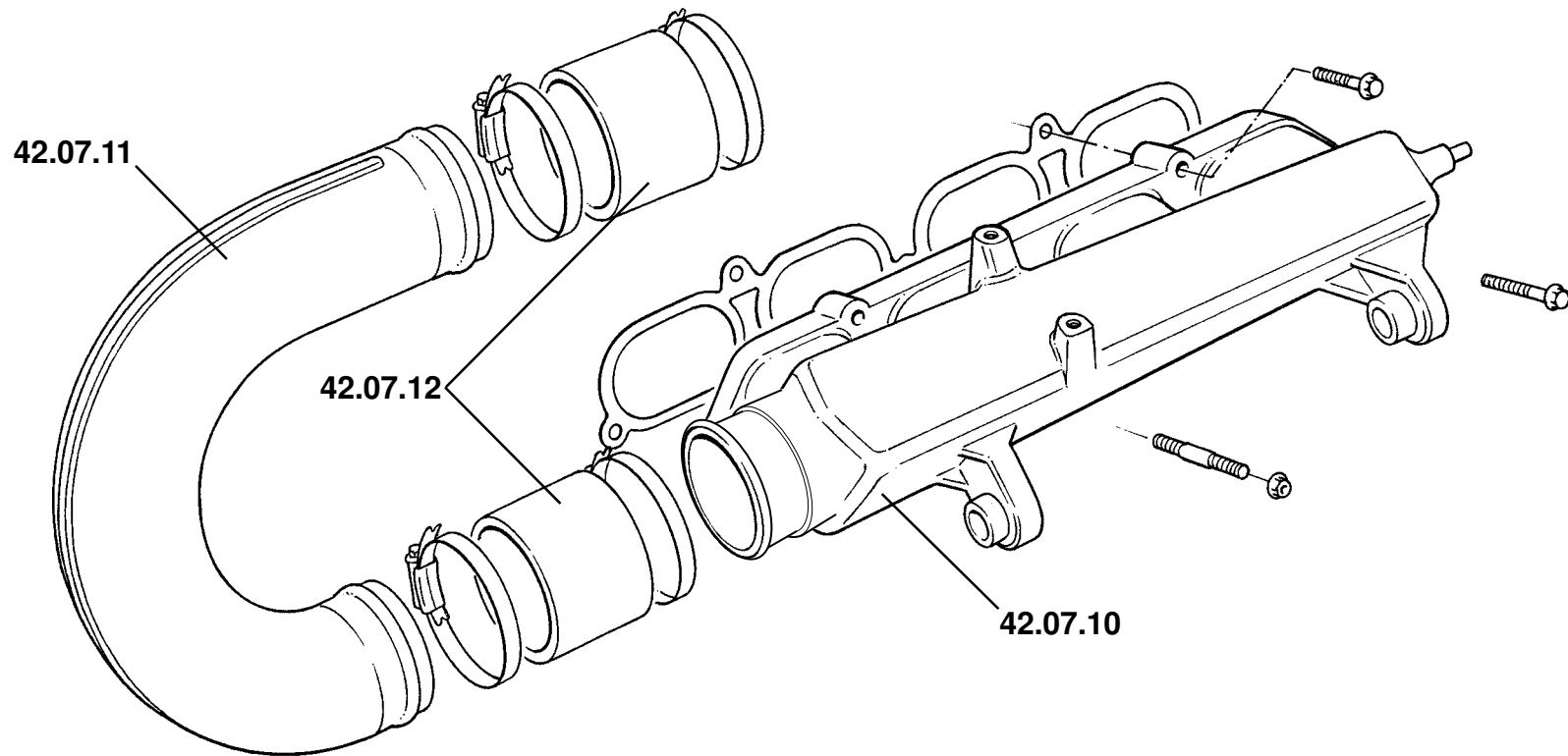


LOTUS ELISE 2004 TMC STANDARD LABOUR TIMES.

Function Area: 42.00 Induction Systems

Function Code: 42.07 Inlet Manifold, Plenum & gaskets

Operation Code	Description	Op Type	Hours	Derivative
42.07.01-01	Inlet manifold	r&r	4.0	Common
42.07.01-02	Inlet manifold	Renew	4.0	Common
42.07.02-02	Gasket, inlet manifold	Renew	4.0	Common



EXIGE

42.07

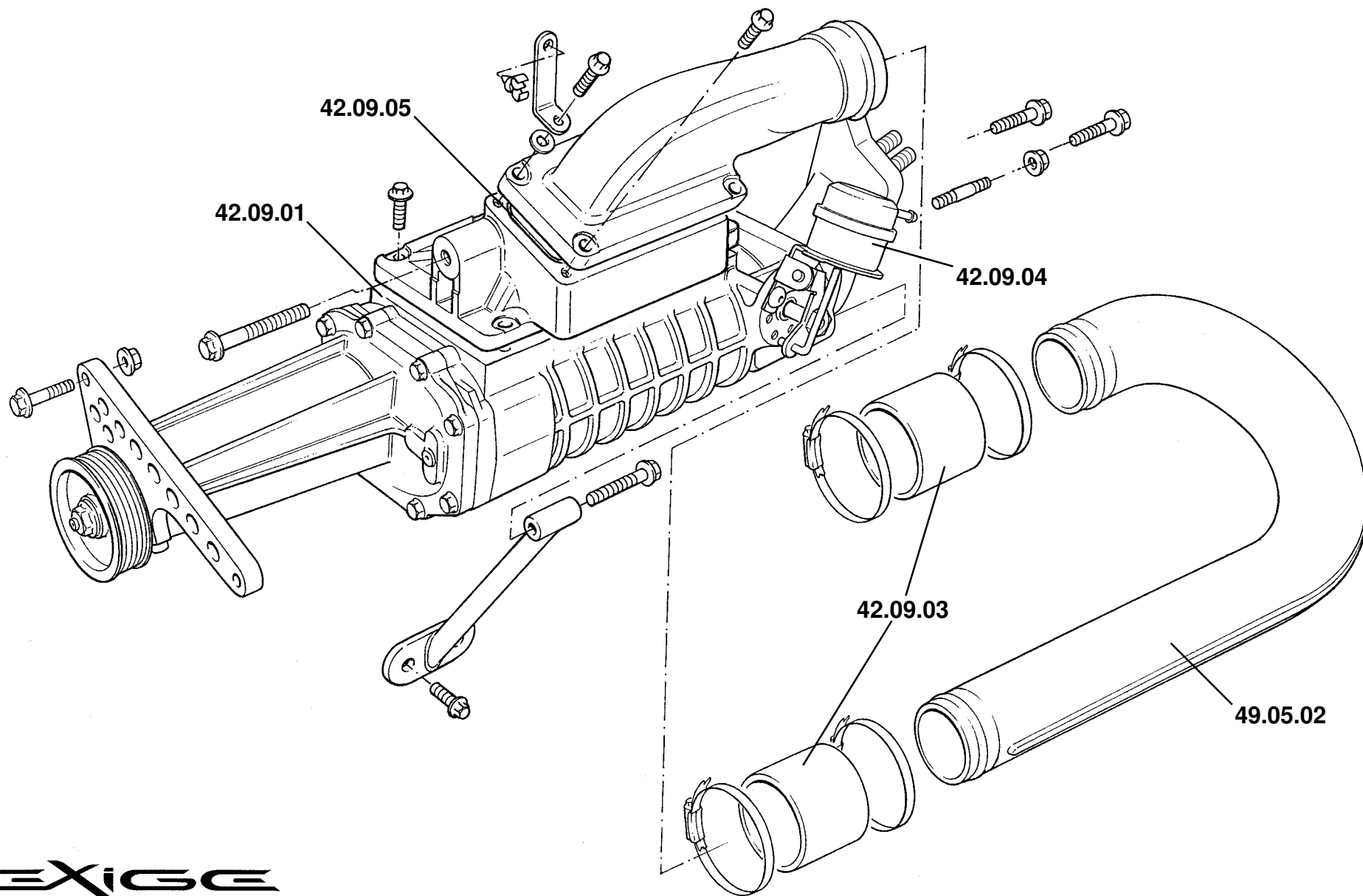


LOTUS EXIGE 2004 STANDARD LABOUR TIMES.

Function Area: 42.00 Induction Systems

Function Code: 42.07 Inlet Manifold, Plenum & gaskets

Operation Code	Description	Op Type	Hours	Derivative
42.07.10-01	Inlet manifold (includes clam., ancillaries removal)	r&r	5.0	Exige S
42.07.10-02	Inlet manifold (includes clam., ancillaries removal)	Renew	5.5	Exige S
42.07.11-01	Pipe, chargecooler to inlet manifold	r&r	0.2	Exige S
42.07.11-02	Pipe, chargecooler to inlet manifold	Renew	0.2	Exige S
42.07.12-01	Hose, pipe to chargecooler/manifold	r&r	0.5	Exige S
42.07.12-02	Hose, pipe to chargecooler/manifold	Renew	0.5	Exige S



EXIGE

42.09

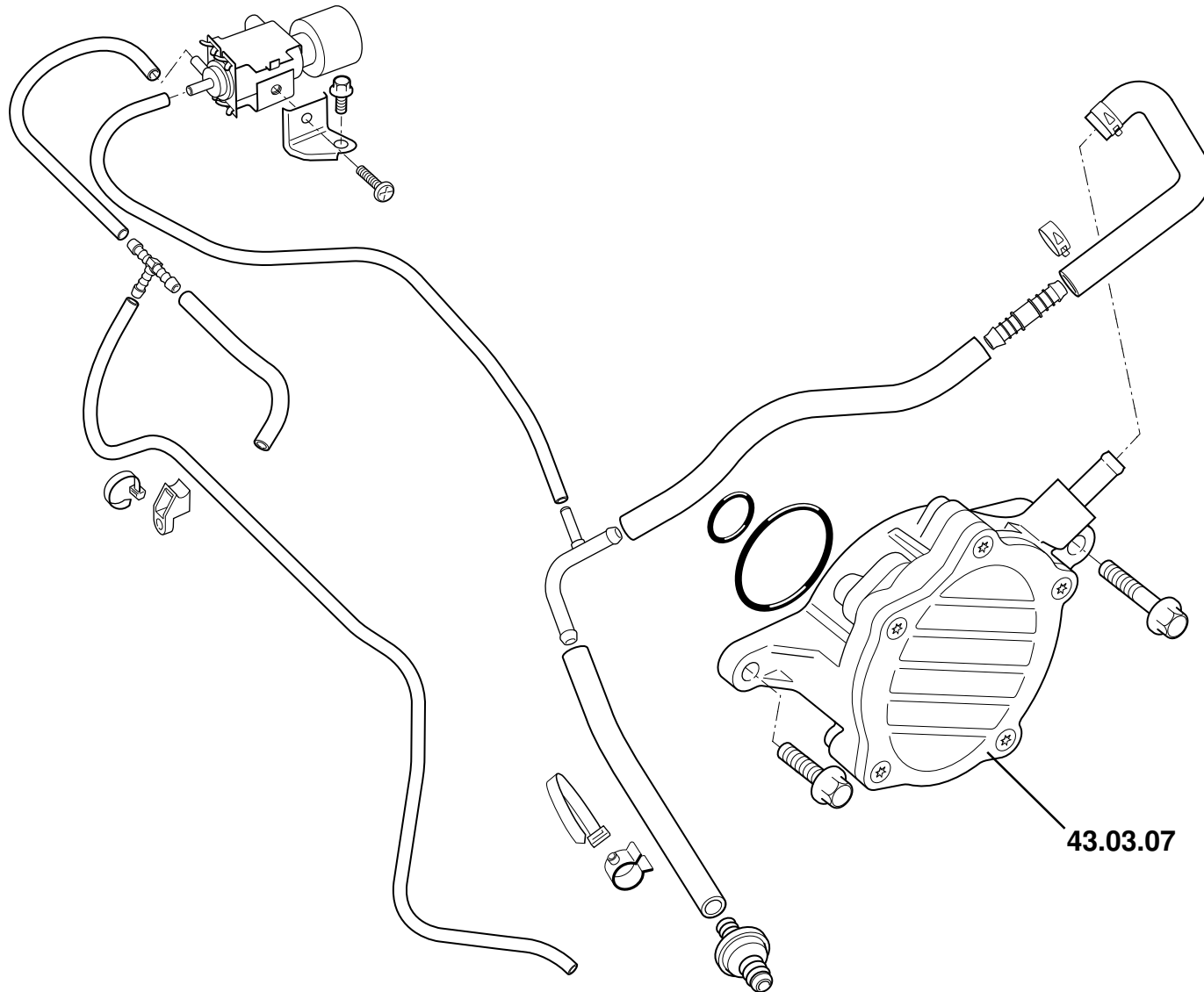


LOTUS EXIGE 2004 STANDARD LABOUR TIMES.

Function Area: 42.00 Induction Systems

Function Code: 42.09 Supercharger

Operation Code	Description	Op Type	Hours	Derivative
42.09.01-01	Supercharger assembly (excludes chargecooler r&r, Exige S)	r&r	4.5	Elise SC/Exige S
42.09.01-02	Supercharger assembly (excludes chargecooler r&r, Exige S)	Renew	5.0	Elise SC/Exige S
42.09.02-01	Pipe, supercharger to chargecooler	r&r	0.2	Exige S
42.09.02-02	Pipe, supercharger to chargecooler	Renew	0.2	Exige S
42.09.03-01	Hose, pipe to chargecooler/supercharger	r&r	0.5	Exige S
42.09.03-02	Hose, pipe to chargecooler/supercharger	Renew	0.5	Exige S
42.09.04-02	Actuator valve, vacuum	Renew	0.7	Exige S
42.09.05-02	'O' ring (any)	Renew	0.7	Exige S



43.03.07

ELISE

43.03

Updated 6th June 2012

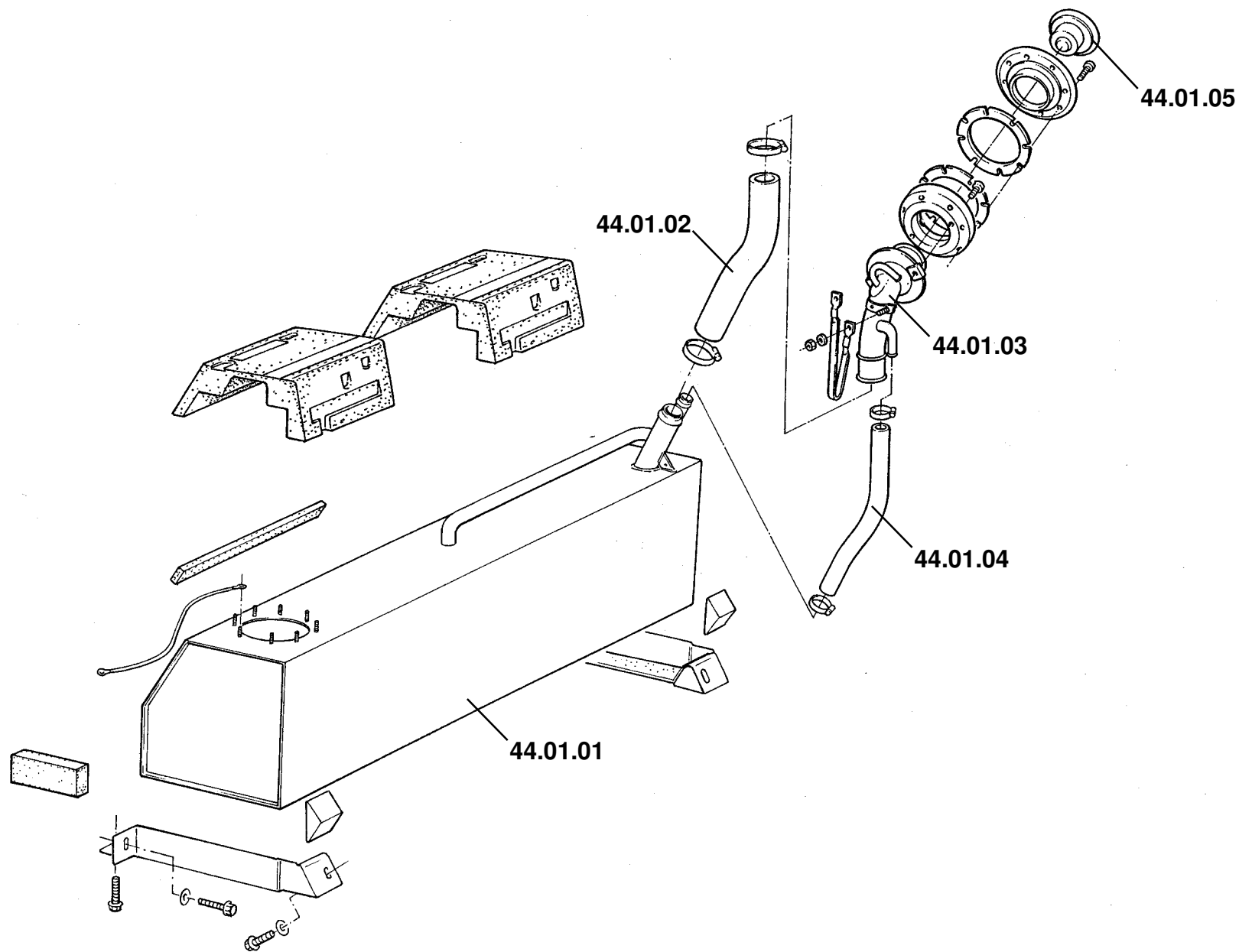


LOTUS ELISE 2011 MY STANDARD LABOUR TIMES.

Function Area: 43.00 Emission Equipment

Function Code: 43.03 Vacuum System, Hoses, Pipes & Fittings

Operation Code	Description	Op Type	Hours	Derivative
43.03.07-01	Pump, vacuum	r&r	0.7	1ZR engine
43.03.07-02	Pump, vacuum	Renew	0.7	1ZR engine
43.03.11-TT	Vacuum hoses, any hose (time taken)	General	0.0	1ZR engine



ELISE

44.01

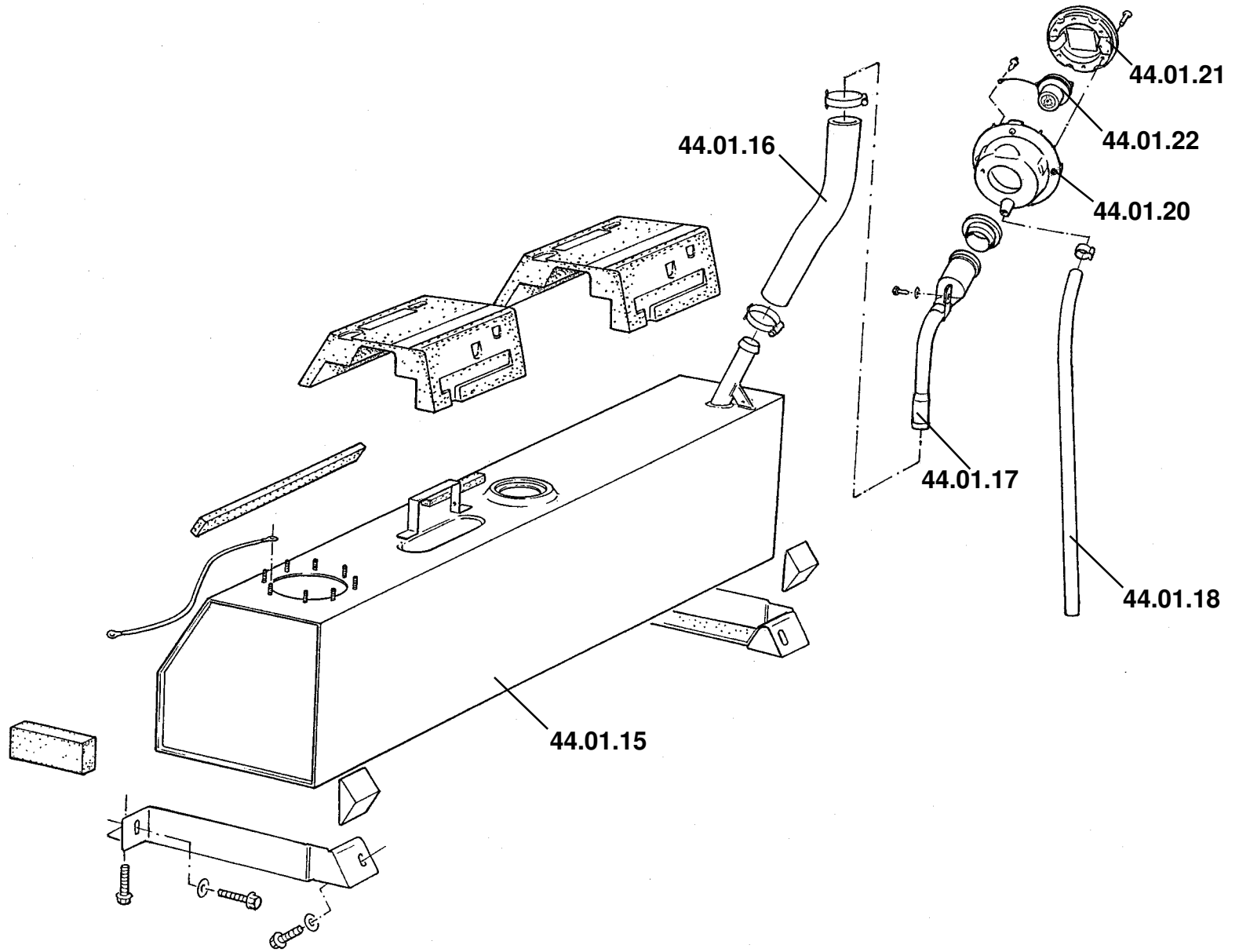


LOTUS ELISE 2004 TMC STANDARD LABOUR TIMES.

Function Area: 44.00 Fuel System

Function Code: 44.01 Fuel Tanks, Filler

Operation Code	Description	Op Type	Hours	Derivative
44.01.01-01	Fuel tank	r&r	3.5	Common
44.01.01-02	Fuel tank	Renew	3.7	Common
44.01.02-01	Hose, fuel filler	r&r	1.0	Common
44.01.02-02	Hose, fuel filler	Renew	1.0	Common
44.01.03-01	Filler neck	r&r	1.3	Common
44.01.03-02	Filler neck	Renew	1.3	Common
44.01.04-02	Hose, fuel breather	Renew	1.0	Common
44.01.05-02	Fuel filler cap	Renew	0.1	Common



ELISE
44.01

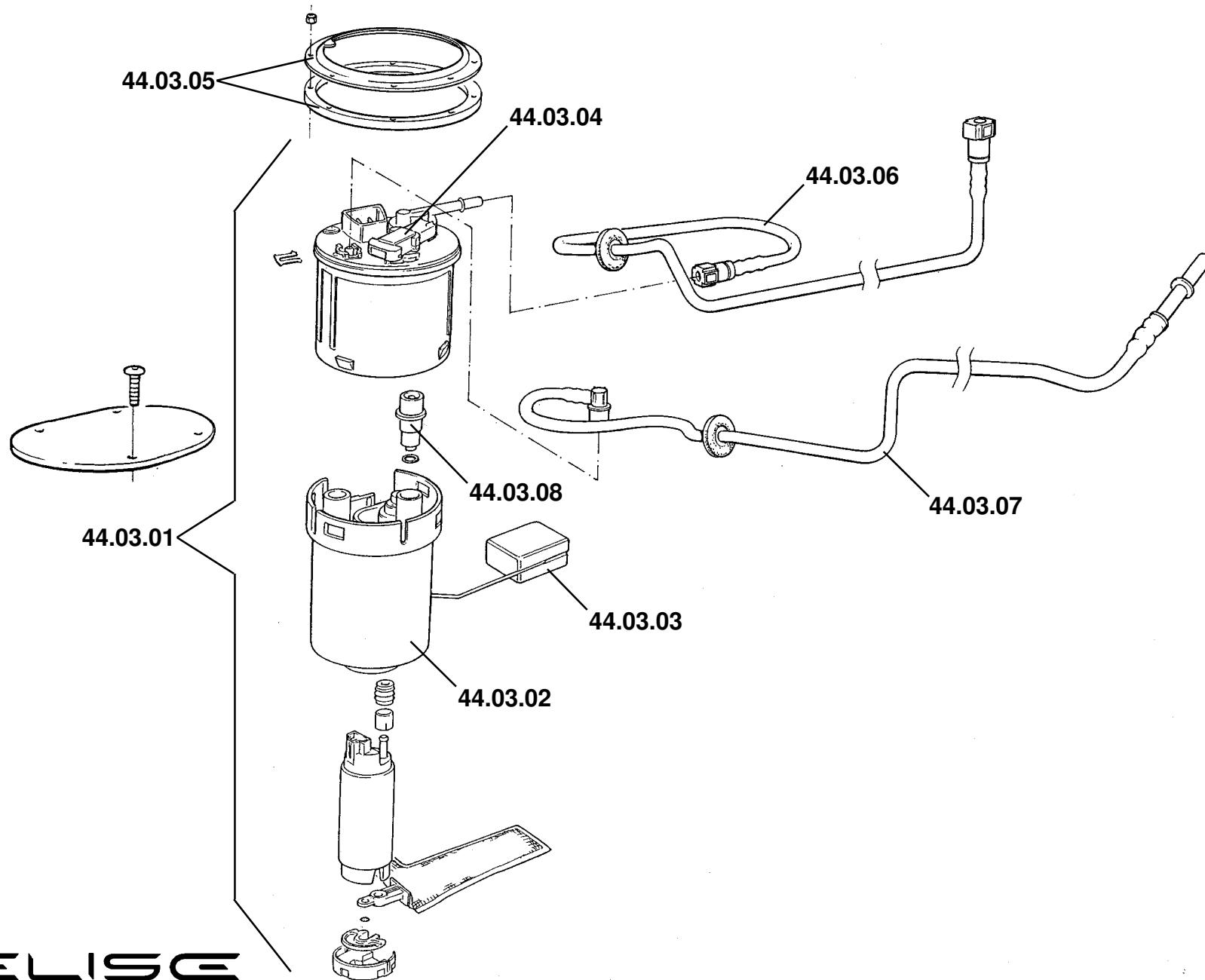


LOTUS ELISE 2004 TMC STANDARD LABOUR TIMES.

Function Area: 44.00 Fuel System

Function Code: 44.01 Fuel Tanks, Filler

Operation Code	Description	Op Type	Hours	Derivative
44.01.15-01	Fuel tank	r&r	3.5	USA/Canada
44.01.15-02	Fuel tank	Renew	3.7	USA/Canada
44.01.16-01	Hose, fuel filler	r&r	1.0	USA/Canada
44.01.16-02	Hose, fuel filler	Renew	1.0	USA/Canada
44.01.17-01	Filler neck	r&r	1.3	USA/Canada
44.01.17-02	Filler neck	Renew	1.3	USA/Canada
44.01.18-02	Hose, fuel breather	Renew	1.0	USA/Canada
44.01.20-01	Bowl assembly, fuel filler	r&r	0.3	USA/Canada
44.01.20-02	Bowl assembly, fuel filler	Renew	0.3	USA/Canada
44.01.21-01	Flap assembly, fuel filler	r&r	0.2	USA/Canada
44.01.21-02	Flap assembly, fuel filler	Renew	0.2	USA/Canada
44.01.22-02	Cap, fuel filler	Renew	0.2	USA/Canada



ELISE
44.03

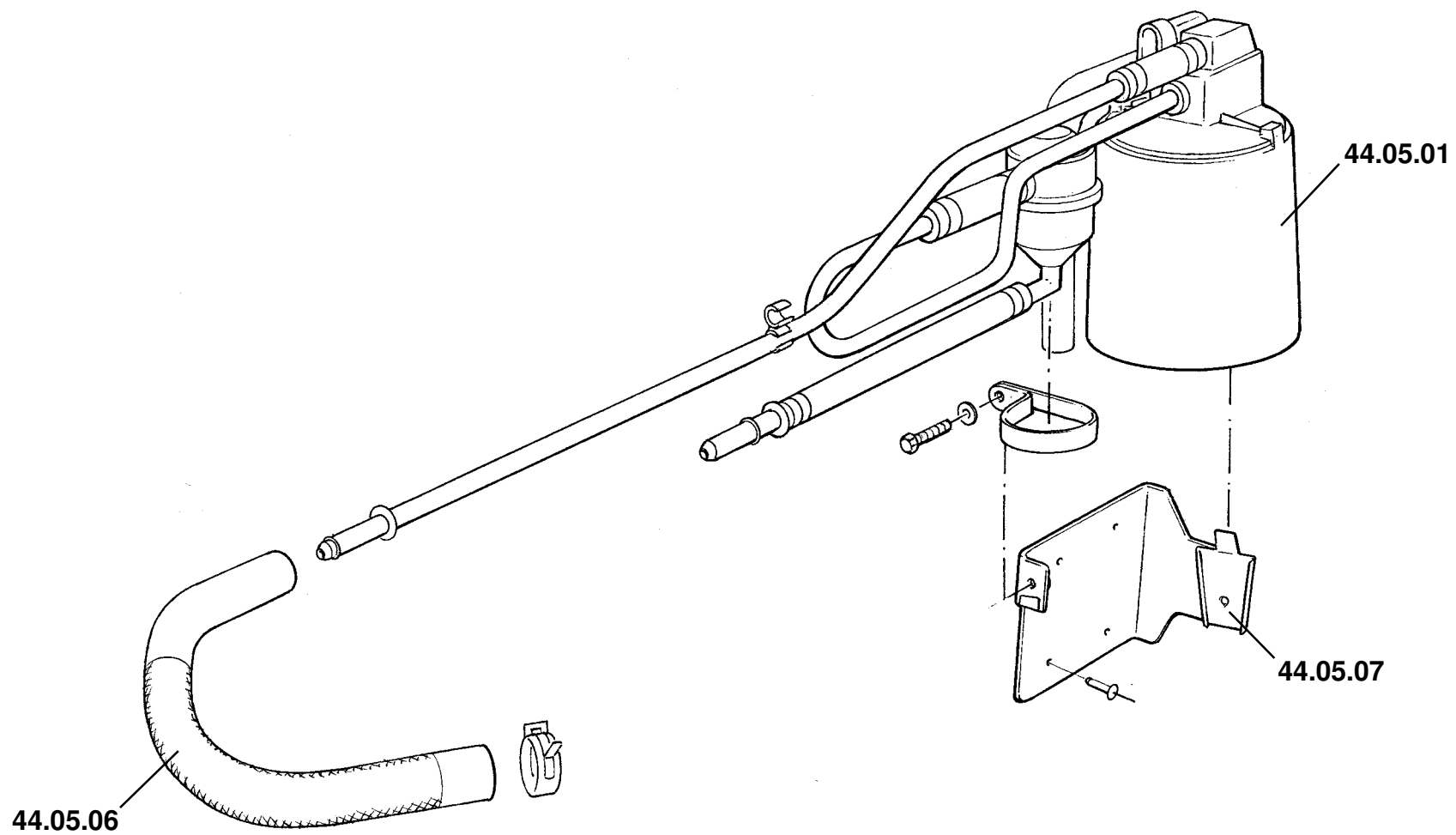


LOTUS ELISE 2004 TMC STANDARD LABOUR TIMES.

Function Area: 44.00 Fuel System

Function Code: 44.03 Fuel Pump; Filter, Pipes

Operation Code	Description	Op Type	Hours	Derivative
44.03.01-01	Pump, fuel & sender unit.	r&r	4.0	Common
44.03.01-02	Pump, fuel & sender unit	Renew	4.0	Common
44.03.02-02	Fuel filter	Renew	4.0	Common
44.03.03-01	Fuel gauge sender unit	r&r	4.0	Common
44.03.03-02	Fuel gauge sender unit	Renew	4.0	Common
44.03.04-01	Sensor, vapour pressure	r&r	4.0	Common
44.03.04-02	Sensor, vapour pressure	Renew	4.0	Common
44.03.05-01	Spacer ring (clamp) fuel pump	r&r	4.0	Common
44.03.05-02	Spacer ring (clamp) fuel pump	Renew	4.0	Common
44.03.06-02	Pipe quick connect to tank	Renew	4.0	Common
44.03.07-02	Pipe fuel feed	Renew	4.0	Common
44.03.08-02	Fuel pressure regulator	Renew	4.0	Common



ELISE
44.05

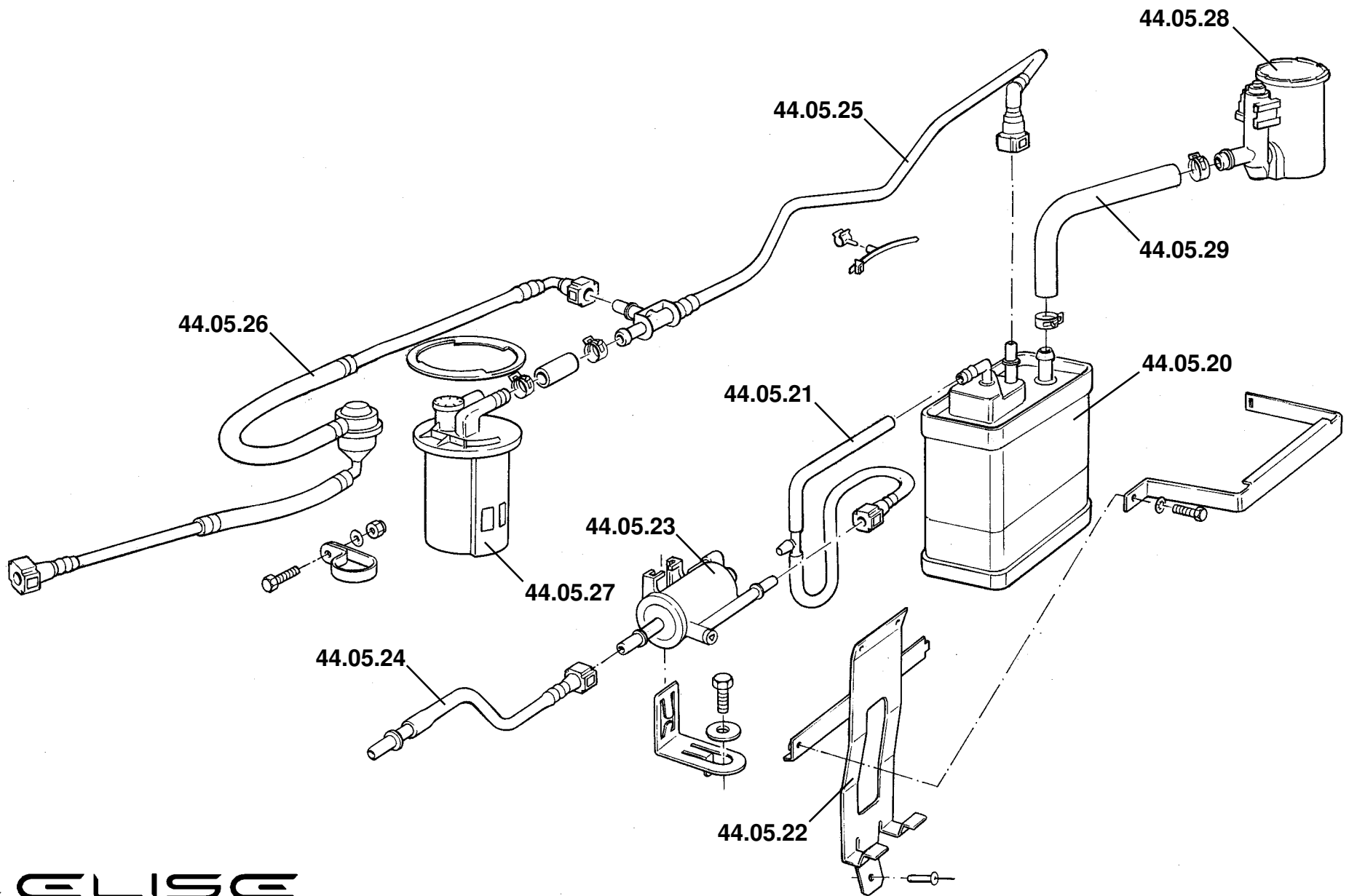


LOTUS ELISE 2004 TMC STANDARD LABOUR TIMES.

Function Area: 44.00 Fuel System

Function Code: 44.05 Charcoal Canister & Evaporative Loss System.

Operation Code	Description	Op Type	Hours	Derivative
44.05.01-02	Charcoal canister assey. (including pipes & fixings)	Renew	0.5	Common
44.05.06-01	Hose, charcoal cannister to manifold	r&r	0.1	Common
44.05.06-02	Hose, charcoal cannister to manifold	Renew	0.1	Common
44.05.07-01	Mounting plate, charcoal canister	r&r	0.5	Common
44.05.07-02	Mounting plate, charcoal canister	Renew	0.5	Common



ELISE

44.05

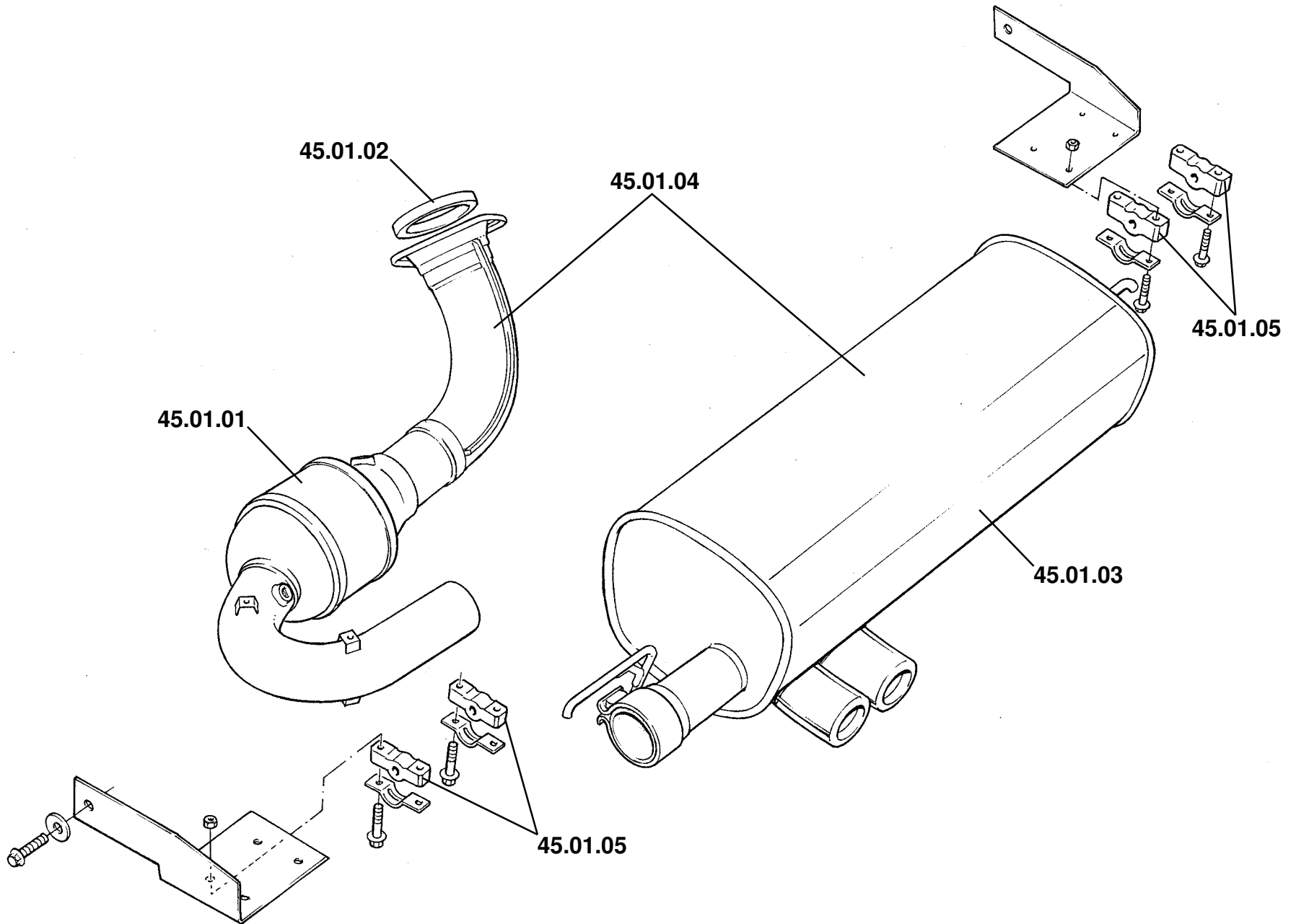


LOTUS ELISE 2004 TMC STANDARD LABOUR TIMES.

Function Area: 44.00 Fuel System

Function Code: 44.05 Charcoal Canister & Evaporative Loss System.

Operation Code	Description	Op Type	Hours	Derivative
44.05.20-02	Charcoal canister assy	Renew	0.5	USA/Canada
44.05.21-01	Hose, charcoal cannister to purge solenoid valve	r&r	0.2	USA/Canada
44.05.21-02	Hose, charcoal cannister to purge solenoid valve	Renew	0.2	USA/Canada
44.05.22-01	Mounting plate, charcoal canister	r&r	0.5	USA/Canada
44.05.22-02	Mounting plate, charcoal canister	Renew	0.5	USA/Canada
44.05.23-01	Purge solenoid valve	r&r	0.2	USA/Canada
44.05.23-02	Purge solenoid valve	Renew	0.2	USA/Canada
44.05.24-01	Pipe, purge valve to inlet manifold	r&r	0.1	USA/Canada
44.05.24-02	Pipe, purge valve to inlet manifold	Renew	0.1	USA/Canada
44.05.25-01	Hose. charcoal cannister to flow valve	r&r	4.0	USA/Canada
44.05.25-02	Hose. charcoal cannister to flow valve	Renew	4.0	USA/Canada
44.05.26-01	Hose assembly, (includes role-over valve)	r&r	4.0	USA/Canada
44.05.26-02	Hose assembly, (includes role-over valve)	Renew	4.0	USA/Canada
44.05.27-01	Fill level vent valve	r&r	4.0	USA/Canada
44.05.27-02	Fill level vent valve	Renew	4.0	USA/Canada
44.05.28-01	Canister close valve	r&r	1.0	USA/Canada
44.05.28-02	Canister close valve	Renew	1.0	USA/Canada
44.05.29-01	Hose, close valve to canister	r&r	0.1	USA/Canada
44.05.29-02	Hose, close valve to canister	Renew	0.1	USA/Canada



ELISE
45.01

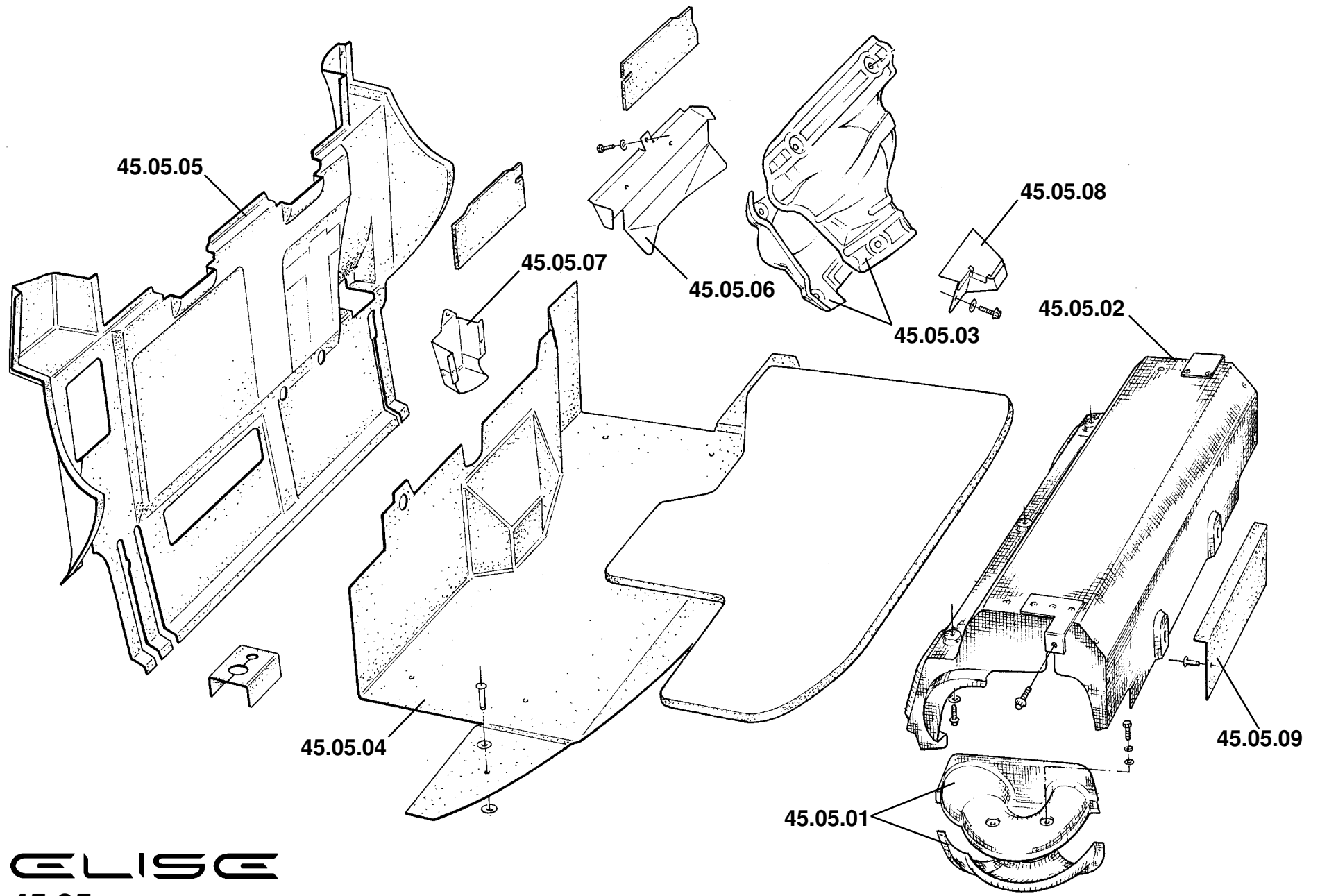


LOTUS ELISE 2004 TMC STANDARD LABOUR TIMES.

Function Area: 45.00 Exhaust

Function Code: 45.01 Exhaust System

Operation Code	Description	Op Type	Hours	Derivative
45.01.01-01	Catalyst/Down pipe assembly	r&r	1.0	Common
45.01.01-02	Catalyst/Down pipe assembly	Renew	1.0	Common
45.01.02-02	Sealing ring down pipe to manifold	Renew	0.4	Common
45.01.03-01	Silencer assembly	r&r	1.1	Common
45.01.03-02	Silencer assembly	Renew	1.1	Common
45.01.04-01	Catalyst assembly & exhaust assembly	r&r	1.8	Common
45.01.04-02	Catalyst assembly & exhaust assembly	Renew	1.8	Common
45.01.05-01	Exhaust system mounts (one or both)	r&r	0.8	Common
45.01.05-02	Exhaust system mounts (one or both)	Renew	0.8	Common



ELISE
45.05

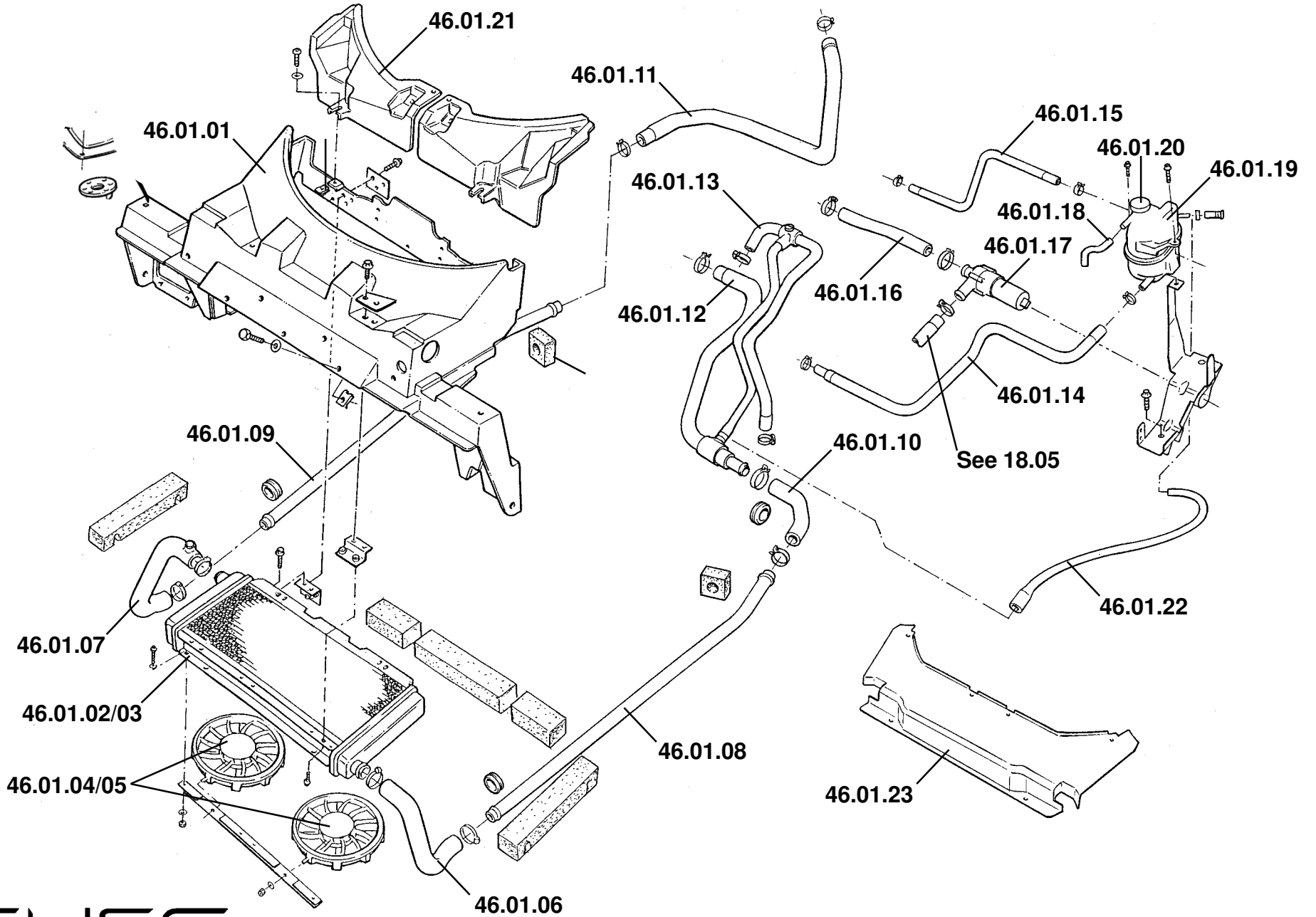


LOTUS ELISE 2004 TMC STANDARD LABOUR TIMES.

Function Area: 45.00 Exhaust

Function Code: 45.05 Heatshields

Operation Code	Description	Op Type	Hours	Derivative
45.05.01-01	Heatshield, muffler 'U' bend upper & lower	r&r	1.1	Common
45.05.01-02	Heatshield, muffler 'U' bend upper & lower	Renew	1.1	Common
45.05.02-01	Heatshield assembly, muffler	r&r	1.5	Common
45.05.02-02	Heatshield assembly, muffler	Renew	1.5	Common
45.05.03-01	Heatshield, exhaust manifold, upper & lower	r&r	0.5	Common
45.05.03-02	Heatshield, exhaust manifold, upper & lower	Renew	0.5	Common
45.05.04-01	Heatshield, boot floor	r&r	3.5	Common
45.05.04-02	Heatshield, boot floor	Renew	3.5	Common
45.05.05-02	Heatshiled, bulkhead (includes clamshell removal)	Renew	4.0	Common
45.05.06-01	Heatshield, tailgate latch assembly	r&r	0.2	Common
45.05.06-02	Heatshield, tailgate latch assembly	Renew	0.2	Common
45.05.07-01	Heatshield, striker assembly	r&r	0.2	Common
45.05.07-02	Heatshield, striker assembly	Renew	0.2	Common
45.05.08-01	Heatshield, rear engine mount	r&r	0.4	Common
45.05.08-02	Heatshield, rear engine mount	Renew	0.4	Common
45.05.09-01	Heatshield, rear license plate	r&r	0.6	Common
45.05.09-02	Heatshield, rear license plate	Renew	0.6	Common



ELISE
46.01

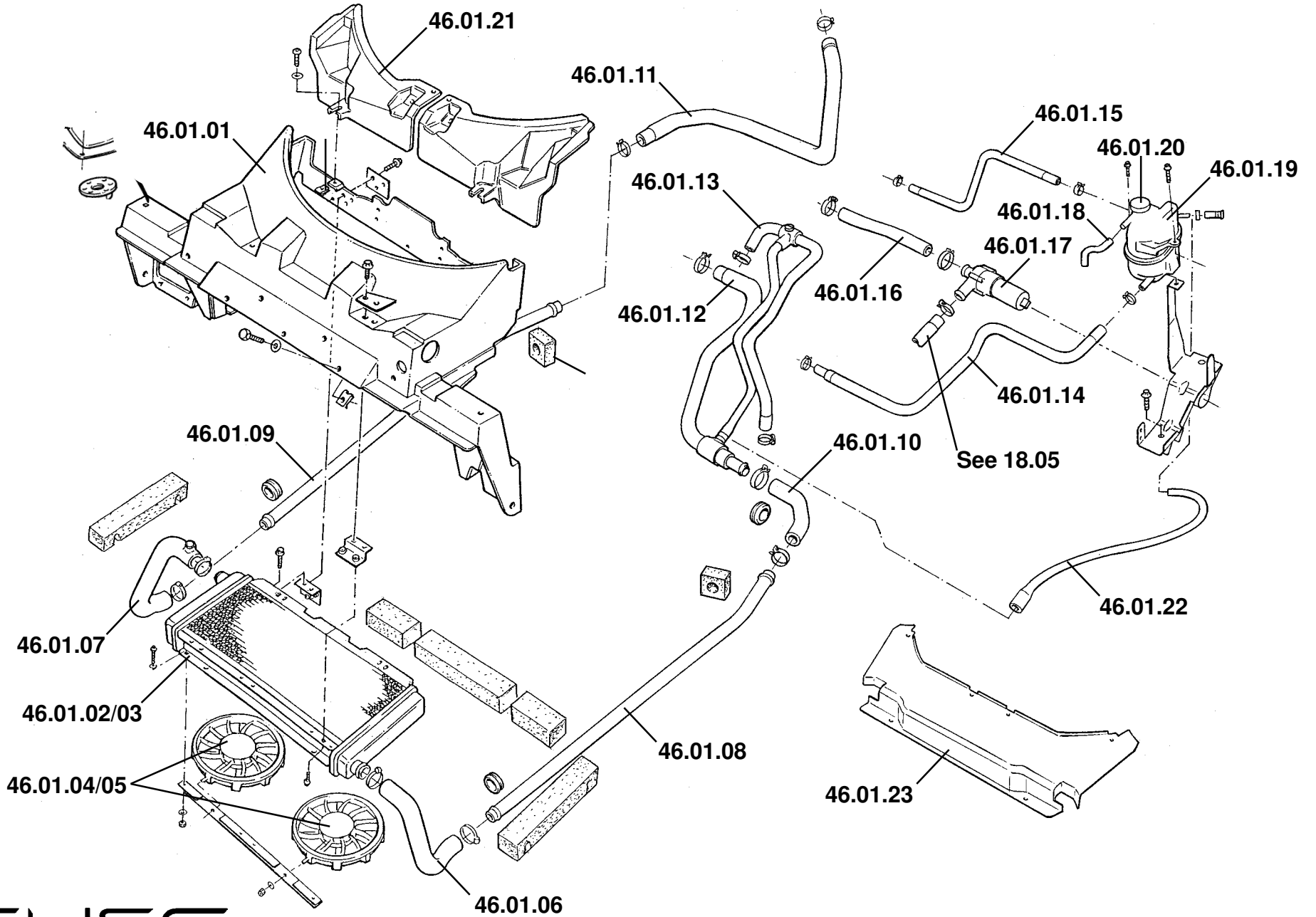


LOTUS ELISE 2004 TMC STANDARD LABOUR TIMES.

Function Area: 46.00 Cooling

Function Code: 46.01 Engine Cooling System & Fan

Operation Code	Description	Op Type	Hours	Derivative
46.01.00-02	Coolant	Renew	1.0	Common
46.01.01-02	Radiator housing	Renew	2.9	Common
46.01.02-01	Radiator (non A/C)	r&r	3.0	Common
46.01.02-02	Radiator (non A/C)	Renew	4.0	Common
46.01.03-01	Radiator (A/C)	r&r	4.5	Common
46.01.03-02	Radiator (A/C)	Renew	5.0	Common
46.01.04-01	Radiator fan, non A/C (one or both)	r&r	4.0	Common
46.01.04-02	Radiator fan, non A/C (one or both)	Renew	4.0	Common
46.01.05-01	Radiator fan, A/C (one or both)	r&r	5.0	Common
46.01.05-02	Radiator fan, A/C (one or both)	Renew	5.0	Common
46.01.06-01	Hose, radiator inlet, LH	r&r	2.0	Common
46.01.06-02	Hose, radiator inlet, LH	Renew	2.0	Common
46.01.07-01	Hose, radiator outlet, RH	r&r	2.0	Common
46.01.07-02	Hose, radiator outlet, RH	Renew	2.0	Common
46.01.08-02	Pipe, chassis water rail coolant feed, LH	Renew	3.0	Common
46.01.09-02	Pipe, chassis water rail coolant return, RH	Renew	3.0	Common
46.01.10-02	Hose, engine outlet to chassis pipe	Renew	0.5	Common
46.01.11-02	Hose, engine inlet to chassis pipe	Renew	0.5	Common
46.01.12-02	Hose, engine outlet	Renew	0.5	Common
46.01.13-02	Hose assembly, return pipe to engine	Renew	0.5	Common
46.01.14-02	Hose assembly, header tank to water pump	Renew	1.0	Common
46.01.15-02	Hose, header tank to engine assembly	Renew	0.3	Common
46.01.16-02	Hose, engine to recirculation pump	Renew	0.3	Common
46.01.17-02	Recirculation pump	Renew	0.5	Common
46.01.18-02	Hose, header tank overflow	Renew	0.1	Common



ELISE
46.01

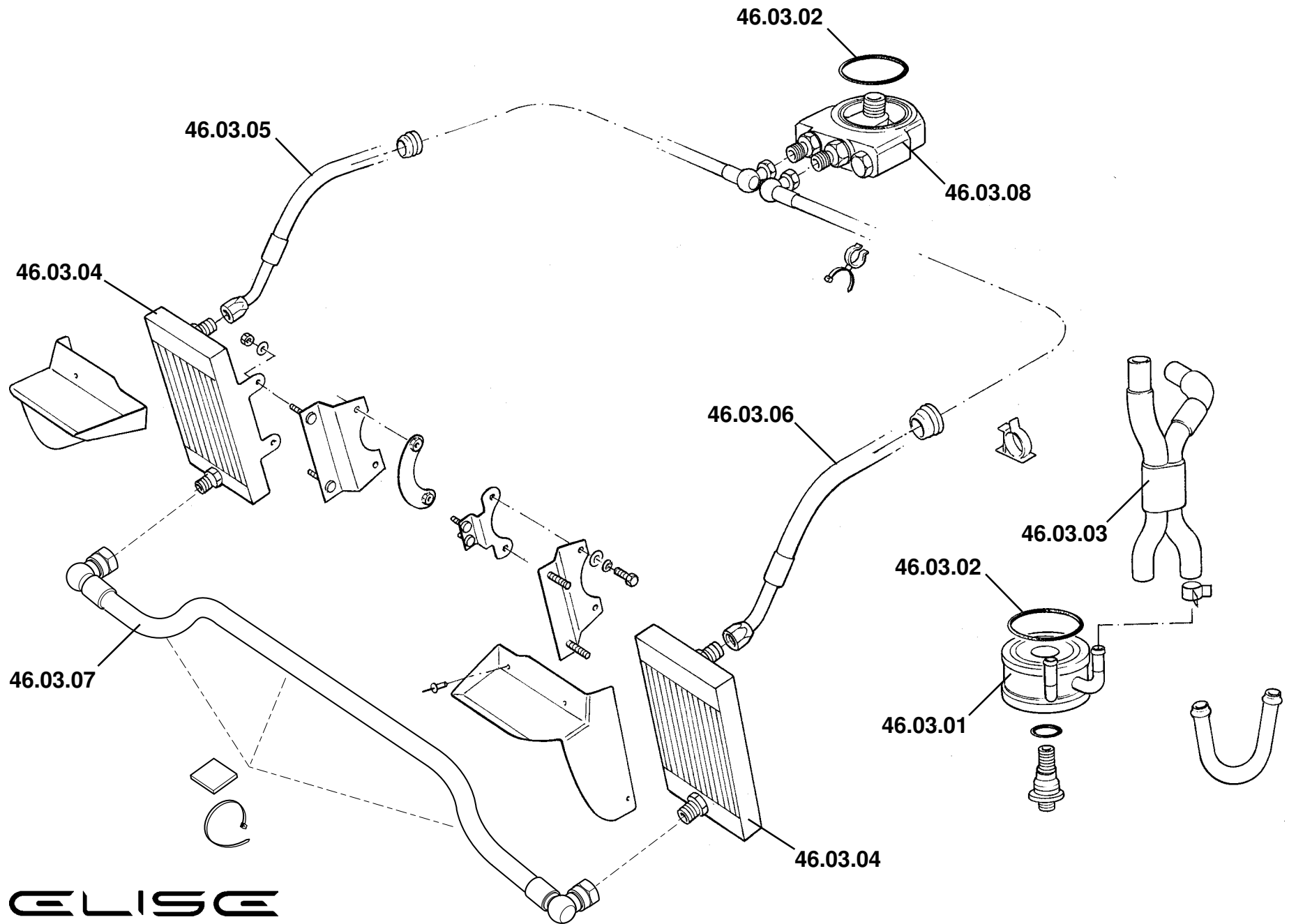


LOTUS ELISE 2004 TMC STANDARD LABOUR TIMES.

Function Area: 46.00 Cooling

Function Code: 46.01 Engine Cooling System & Fan

Operation Code	Description	Op Type	Hours	Derivative
46.01.19-02	Header tank assembly	Renew	0.3	Common
46.01.20-02	Pressure cap assembly, header tank	Renew	0.1	Common
46.01.21-02	Shroud, radiator to body (one or both)	Renew	0.4	Elise only
46.01.22-02	Hose, header tank bleeding	Renew	0.3	Common
46.01.23-02	Shroud, radiator, one piece	Renew	0.4	Exige only
46.01.99-99	Times include topping up coolant if full drain & refill not required			



ELISE

46.03

Updated 8th April 2011

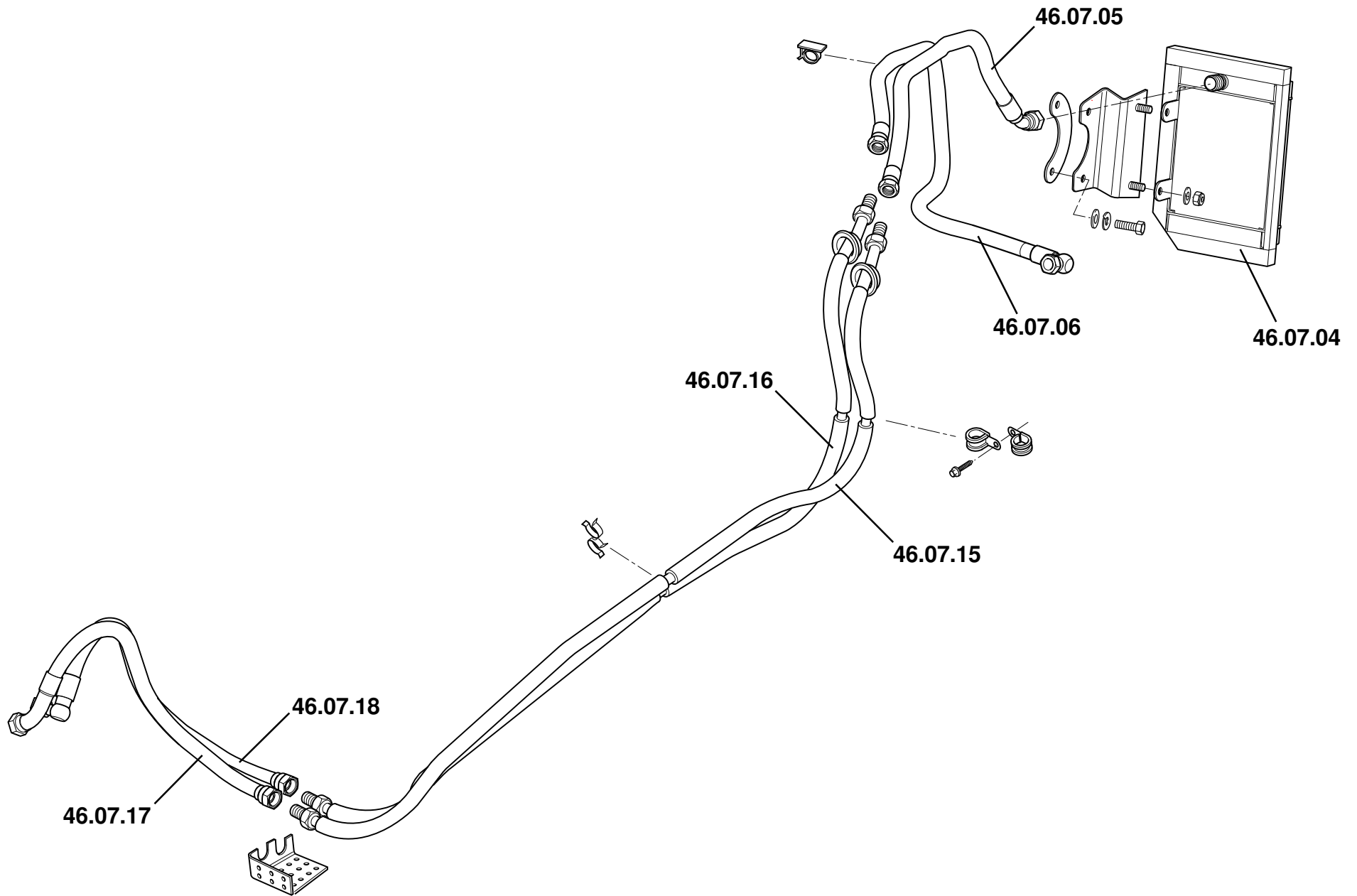


LOTUS ELISE 2004 TMC STANDARD LABOUR TIMES.

Function Area: 46.00 Cooling

Function Code: 46.03 Oil Cooler/Heat Exchanger & Pipes

Operation Code	Description	Op Type	Hours	Derivative
46.03.01-01	Oil cooler, block mounted	r&r	1.0	Common
46.03.01-02	Oil cooler, block mounted	Renew	1.0	Common
46.03.02-02	'O' ring oil cooler/sandwich plate to block	Renew	1.0	Common
46.03.03-02	Hose, coolant	Renew	0.5	Common
46.03.04-02	Oil cooler, front mounted, one or both (excluding front clam R&R)	Renew	0.5	Exige/option
46.03.05-02	Hose, oil cooler feed (for cars with A/C, also claim 46039901)	Renew	2.5	Exige/option
46.03.06-02	Hose, oil cooler return	Renew	2.5	Exige/option
46.03.07.02	Hose, oil cooler transfer pipe (excluding front clam R&R)	Renew	0.5	Exige/option
46.03.08-01	Sandwich plate/thermostat assembly	r&r	1.0	Exige/option
46.03.08-02	Sandwich plate/thermostat assembly	Renew	1.0	Exige/option
46.03.99-01	Additional time for cars with A/C	r&r	0.5	Exige/option



ELISE
46.07

Updated 25th July 2013

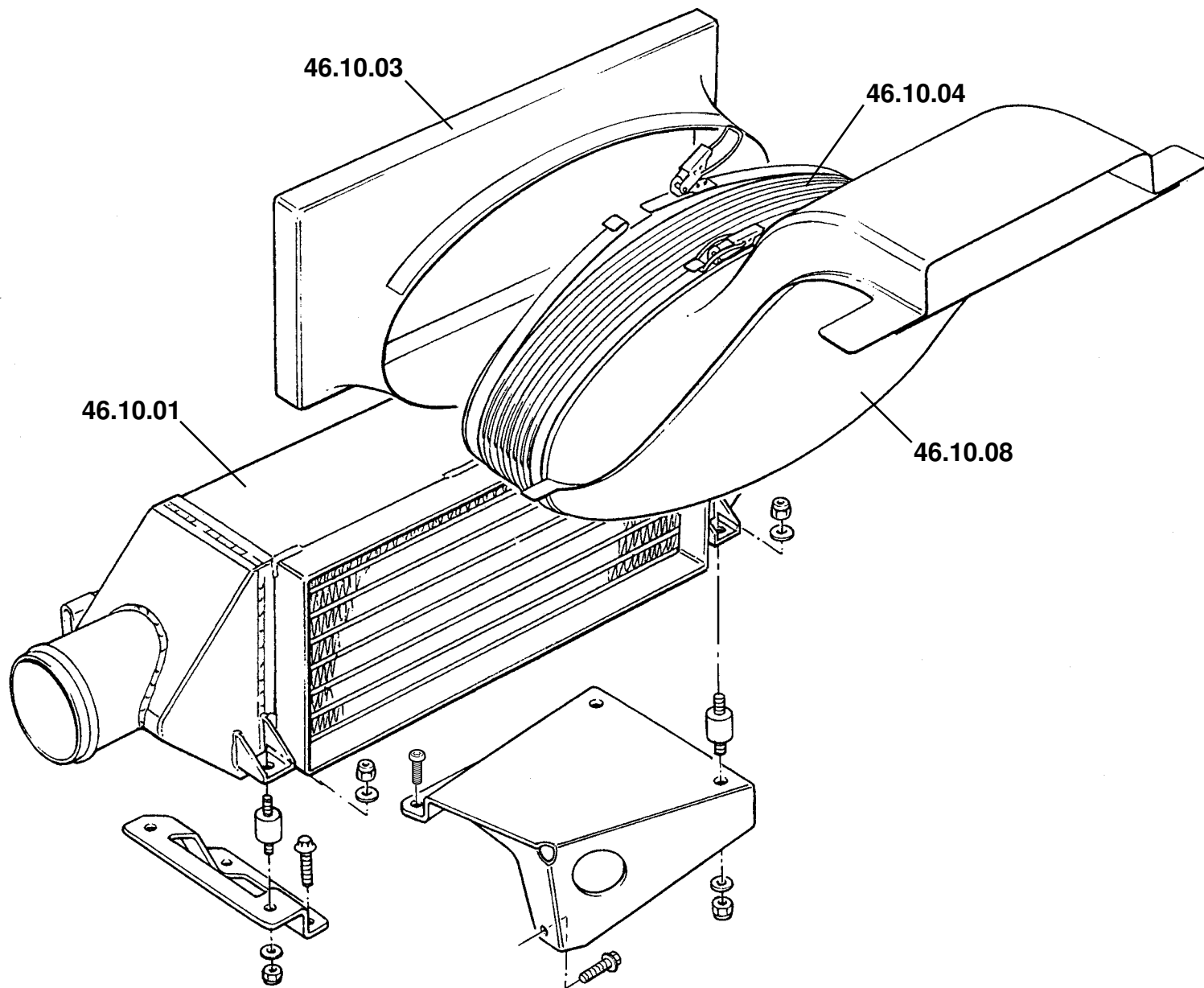


LOTUS ELISE 2004 TMC STANDARD LABOUR TIMES.

Function Area: 46.00 Cooling

Function Code: 46.07 Single Oil Cooler System Engine

Operation Code	Description	Op Type	Hours	Derivative
46.07.04-01	Oil cooler, forward mounted (incl. front clam R&R)	r&r	2.5	2ZR only
46.07.04-02	Oil cooler, forward mounted (incl. front clam R&R)	Renew	2.5	2ZR only
46.07.05-02	Hose, oil cooler, feed, front	Renew	0.7	2ZR only
46.07.06-02	Hose, oil cooler, return, front	Renew	0.9	2ZR only
46.07.15-02	Hose, oil cooler, feed, sill pipe (sill removed)	Renew	0.3	2ZR only
46.07.16-02	Hose, oil cooler, return, sill pipe (sill removed)	Renew	0.3	2ZR only
46.07.17-02	Hose, oil cooler, feed, rear	Renew	1.0	2ZR only
46.07.18-02	Hose, oil cooler, return, rear	Renew	1.0	2ZR only



EXIGE

46.10

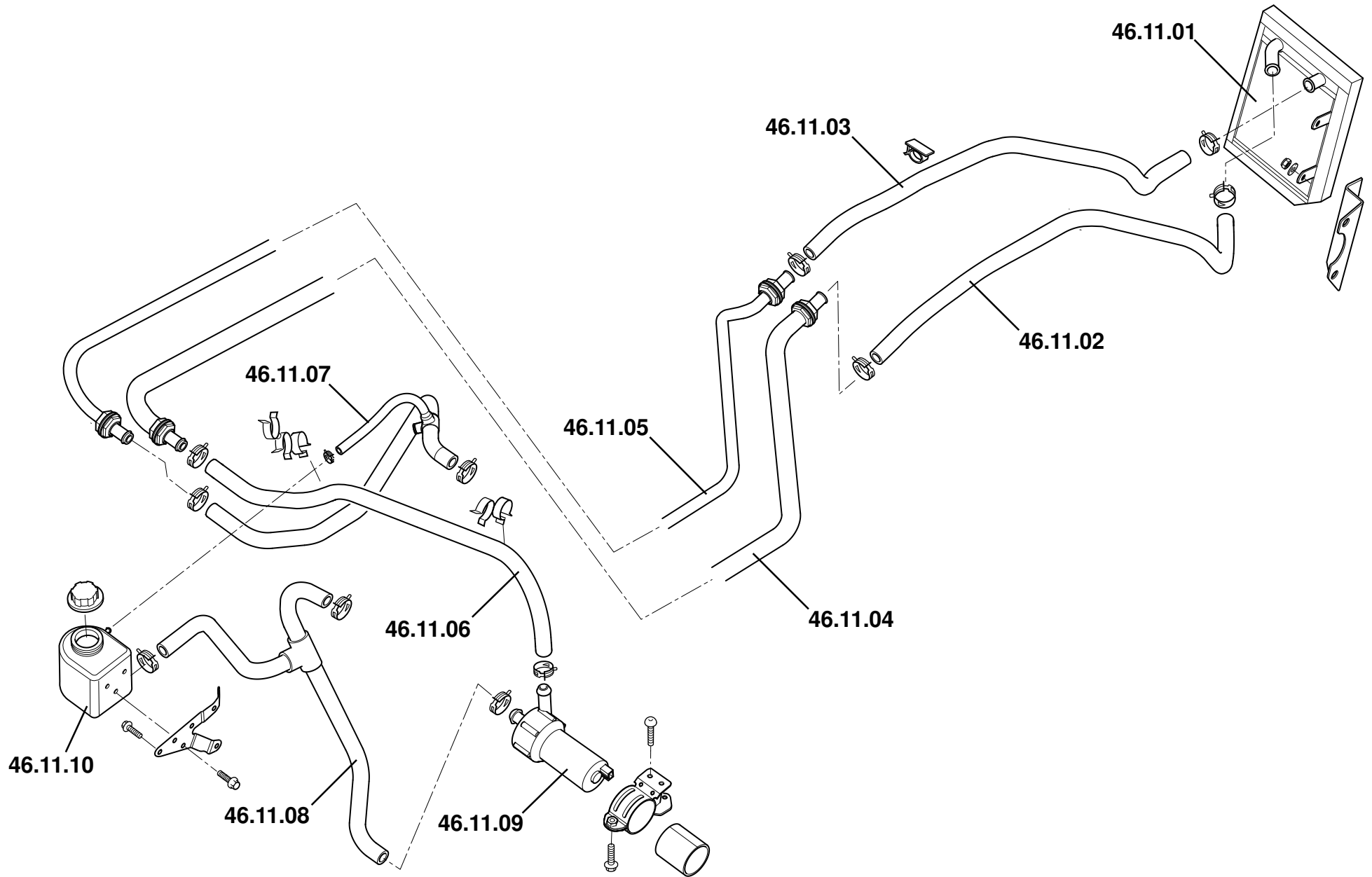


LOTUS EXIGE 2004 STANDARD LABOUR TIMES.

Function Area: 46.00 Cooling

Function Code: 46.10 Chargecooler & Ducting

Operation Code	Description	Op Type	Hours	Derivative
46.10.01-01	Chargecooler	r&r	0.2	Exige S
46.10.01-02	Chargecooler	Renew	0.5	Exige S
46.10.03-02	Duct, bellows to charge cooler	Renew	0.2	Exige S
46.10.04-02	Sealing bellows, chargecooler to duct	Renew	0.2	Exige S
46.10.08-TT	Duct, roof panel to bellows (Time Taken)	Renew		Exige S



ELISE

46.11

Updated 25th July 2013

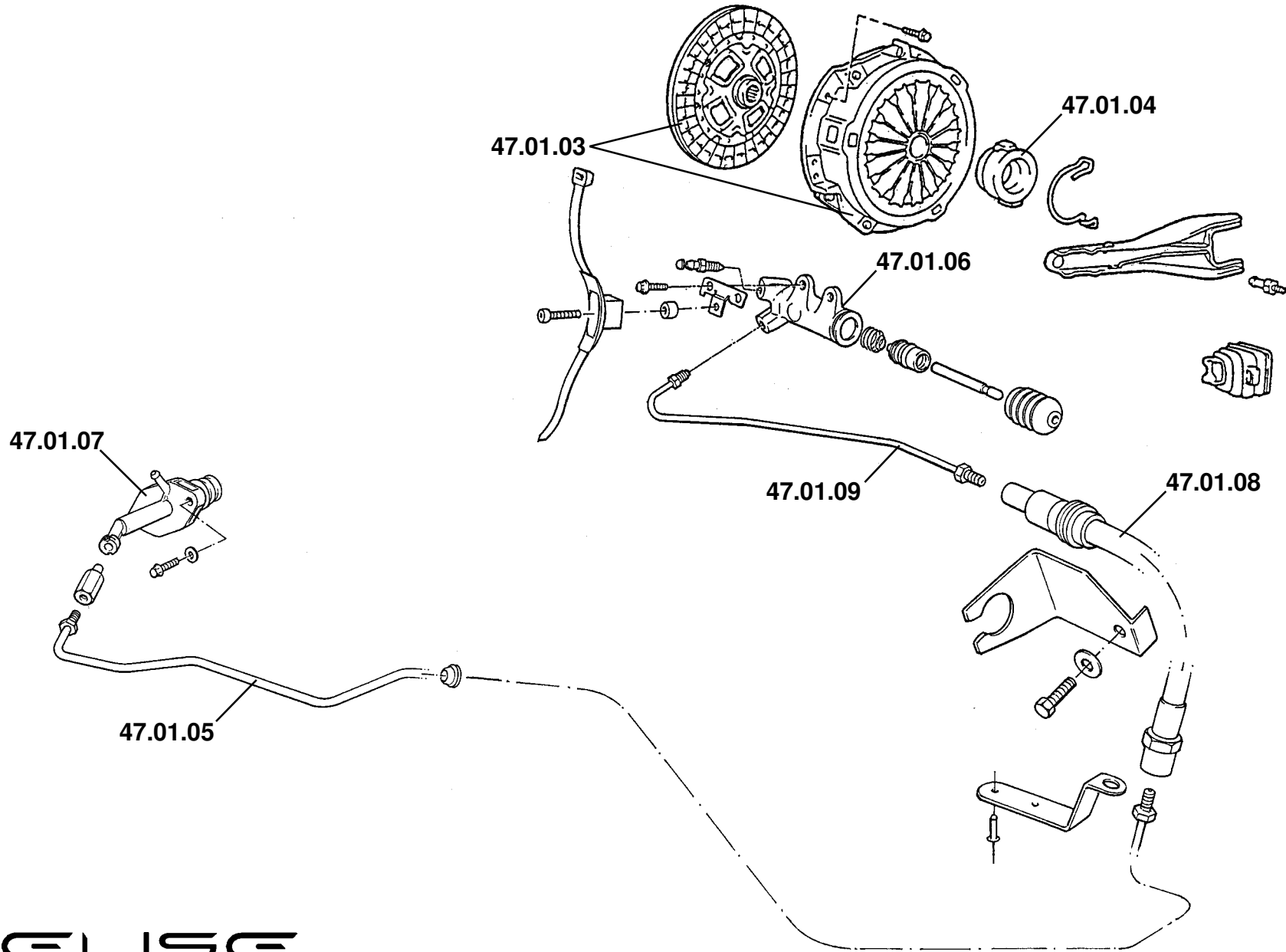


LOTUS ELISE 2004 TMC STANDARD LABOUR TIMES.

Function Area: 46.00 Cooling

Function Code: 46.11 Intercooler, Pipes & Hoses

Operation Code	Description	Op Type	Hours	Derivative
46.11.01-01	Water/air cooler (incl. front clam R&R)	r&r	2.7	2ZR only
46.11.01-02	Water/air cooler (incl. front clam R&R)	Renew	2.7	2ZR only
46.11.02-02	Hose, water, feed, front	Renew	0.9	2ZR only
46.11.03-02	Hose, water, return, front	Renew	0.9	2ZR only
46.11.04-02	Pipe, water, feed, sill (sill removed)	Renew	0.5	2ZR only
46.11.05-02	Pipe, water, return, sill (sill removed)	Renew	0.5	2ZR only
46.11.06-02	Hose, water, feed, rear	Renew	0.6	2ZR only
46.11.07-02	Hose, water, return, rear	Renew	1.0	2ZR only
46.11.08-02	Hose, water, intercooler to pump	Renew	1.0	2ZR only
46.11.09-02	Pump	Renew	0.6	2ZR only
46.11.10-02	Coolant reservoir	Renew	0.3	2ZR only



ELISE

47.01

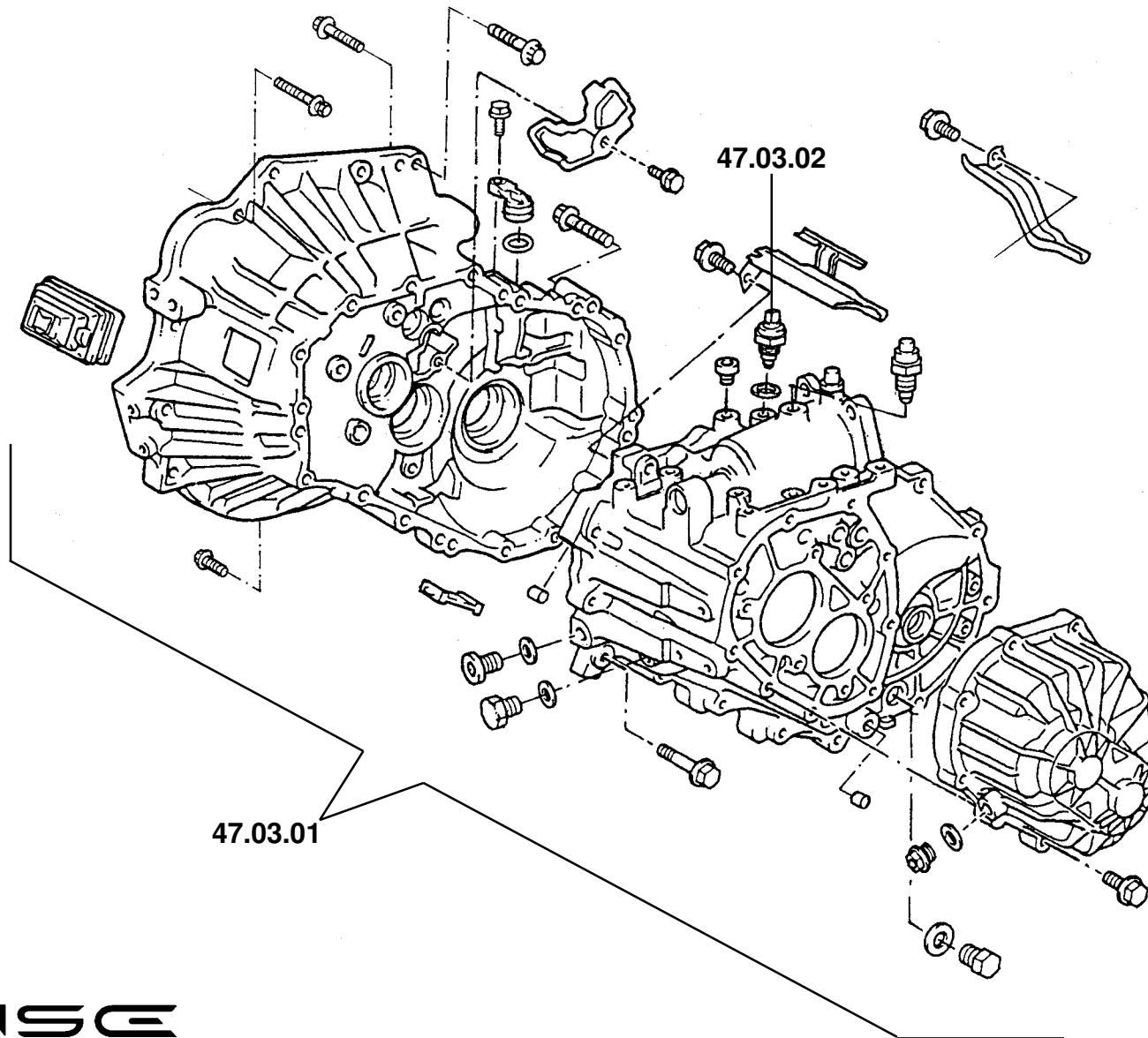


LOTUS ELISE 2004 TMC STANDARD LABOUR TIMES.

Function Area: 47.00 Transmission

Function Code: 47.01 Clutch & Release Mechanism

Operation Code	Description	Op Type	Hours	Derivative
47.01.01-01	Flywheel (not illustrated)	r&r	7.0	Common
47.01.01-02	Flywheel (not illustrated)	Renew	7.0	Common
47.01.02-02	Starter ring gear (not illustrated)	Renew	7.5	Common
47.01.03-02	Clutch assembly	Renew	6.5	Common
47.01.04-02	Release bearing	Renew	6.0	Common
47.01.05-01	Clutch master cylinder pipe (includes bleed)	r&r	3.5	Common
47.01.05-02	Clutch master cylinder pipe (includes bleed)	Renew	3.5	Common
47.01.06-02	Slave cylinder	Renew	0.5	Common
47.01.07-02	Clutch master cylinder	Renew	1.0	Common
47.01.08-01	Clutch flexi pipe (includes bleed)	r&r	0.4	Common
47.01.08-02	Clutch flexi pipe (includes bleed)	Renew	0.4	Common
47.01.09-01	Clutch slave cylinder pipe (includes bleed)	r&r	0.4	Common
47.01.09-02	Clutch slave cylinder pipe (includes bleed)	Renew	0.4	Common



ELISE

47.03

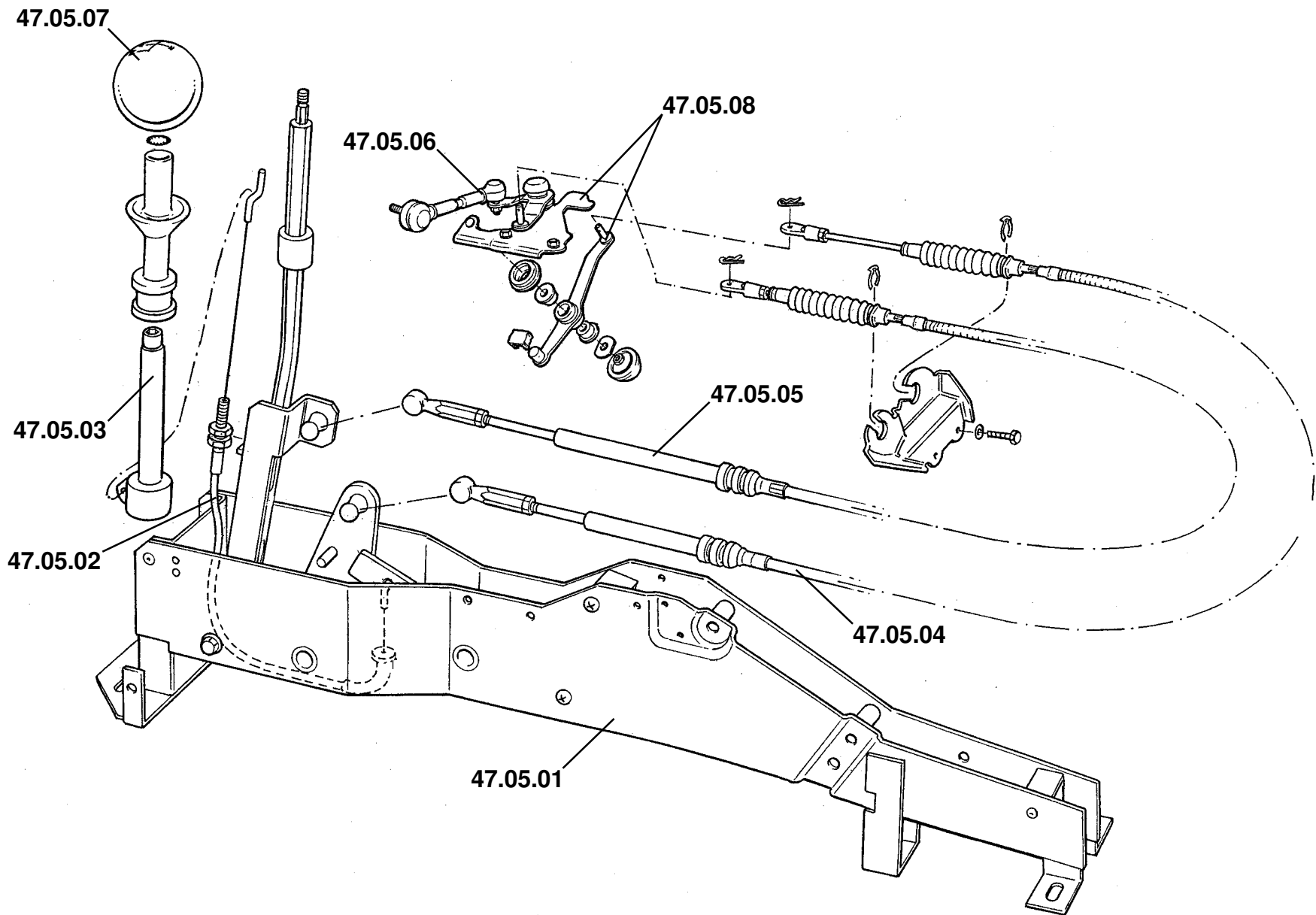


LOTUS ELISE 2004 TMC STANDARD LABOUR TIMES.

Function Area: 47.00 Transmission

Function Code: 47.03 Transmission Assembly

Operation Code	Description	Op Type	Hours	Derivative
47.03.01-01	Transmission assembly	r&r	6.0	Common
47.03.01-02	Transmission assembly	Renew	7.0	Common
47.03.01-04	Transmission assembly	Overhaul	10.4	Common
47.03.02-02	Reverse light switch	Renew	0.6	Common
47.03.99-98	Use 47-03-01-04 only when complete overhaul undertaken, for			
47.03.99-99	minor repairs use the relevant codes from 47.06 or 47.07 or 47.11.			



ELISE

47.05

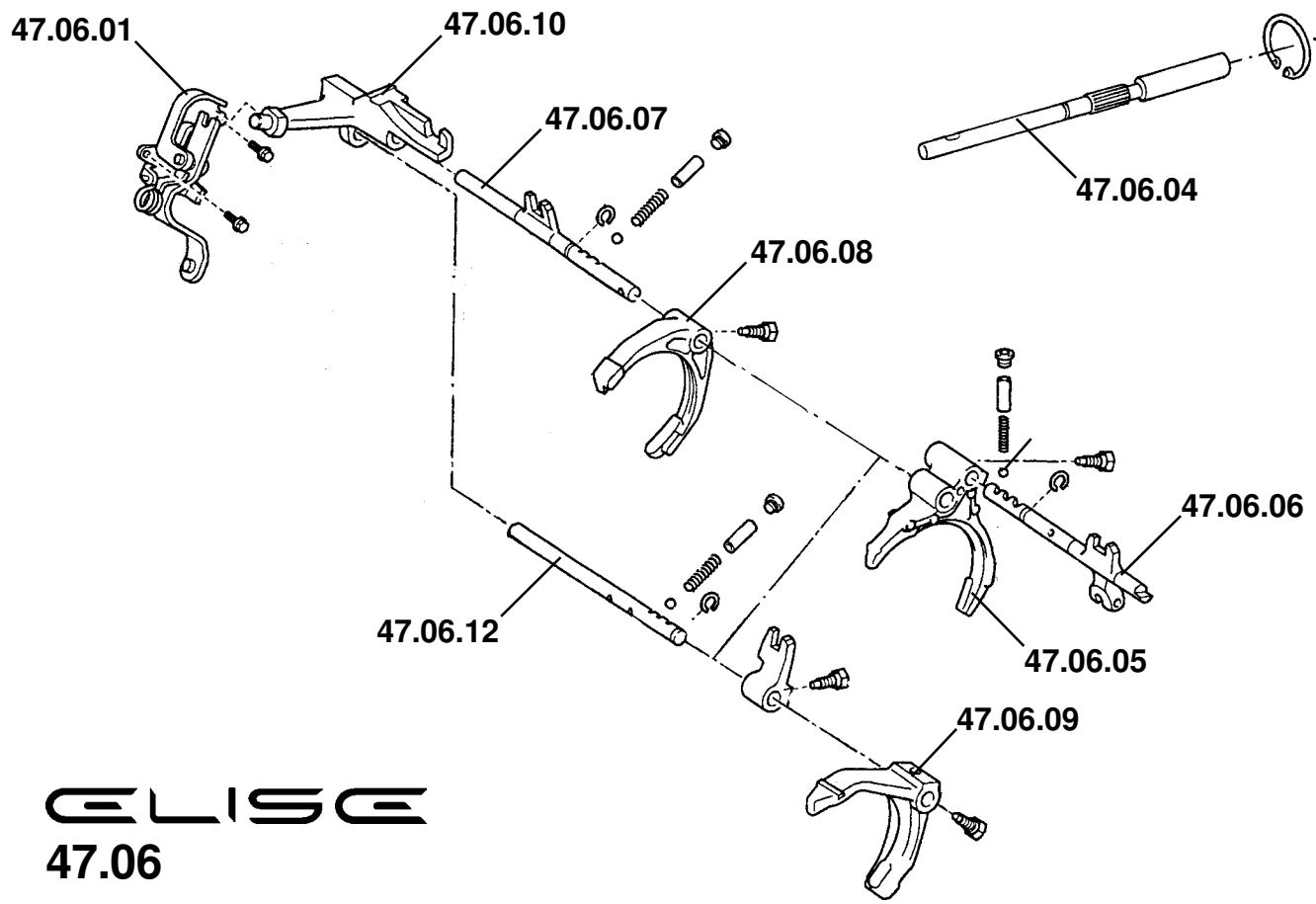
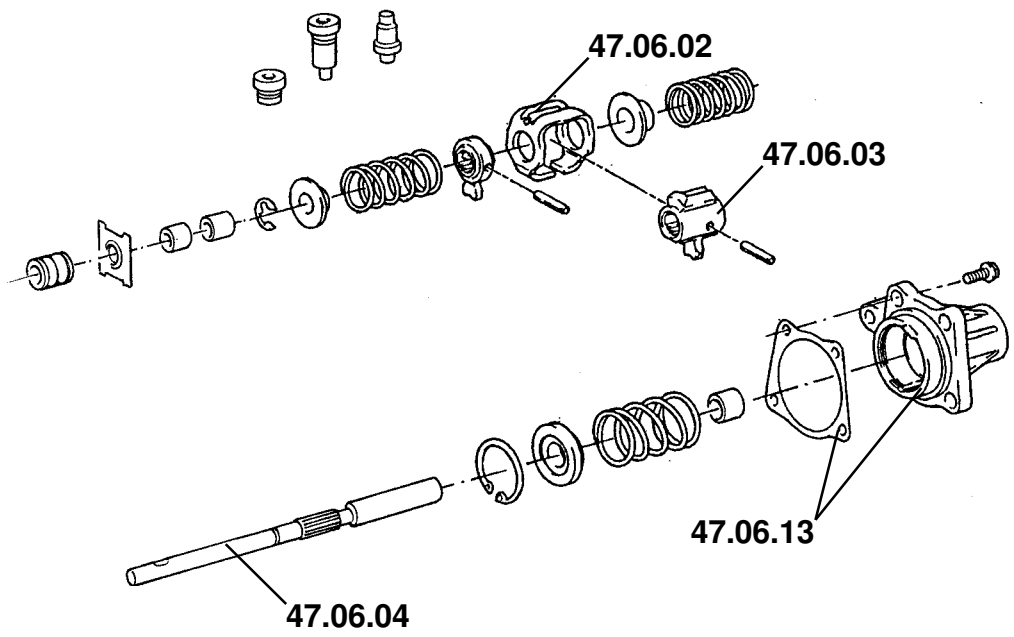


LOTUS ELISE 2004 TMC STANDARD LABOUR TIMES.

Function Area: 47.00 Transmission

Function Code: 47.05 Gearchange Mechanism, External

Operation Code	Description	Op Type	Hours	Derivative
47.05.01-01	Gearshift/parking brake lever assembly	r&r	3.5	Common
47.05.01-02	Gearshift/parking brake lever assembly	Renew	3.5	Common
47.05.02-00	Cable, reverse gear selector	Adjust	0.3	Common
47.05.02-02	Cable, reverse gear selector	Renew	0.4	Common
47.05.03-00	Lift tube adaptor	Adjust	0.3	Common
47.05.03-02	Lift tube adaptor	Renew	0.4	Common
47.05.04-00	Cable crossgate	Adjust	0.4	Common
47.05.04-02	Cable crossgate	Renew	1.0	Common
47.05.05-00	Cable gearshift	Adjust	0.4	Common
47.05.05-02	Cable gearshift	Renew	1.0	Common
47.05.06-00	Selector assembly	Adjust	0.4	Common
47.05.07-00	Gear knob	Adjust	0.1	Common
47.05.07-02	Gear knob	Renew	0.1	Common
47.05.08-01	Crank assembly, shift and select	r&r	0.4	Common
47.05.08-02	Crank assembly, shift and select	Renew	0.5	Common



ELISE
47.06

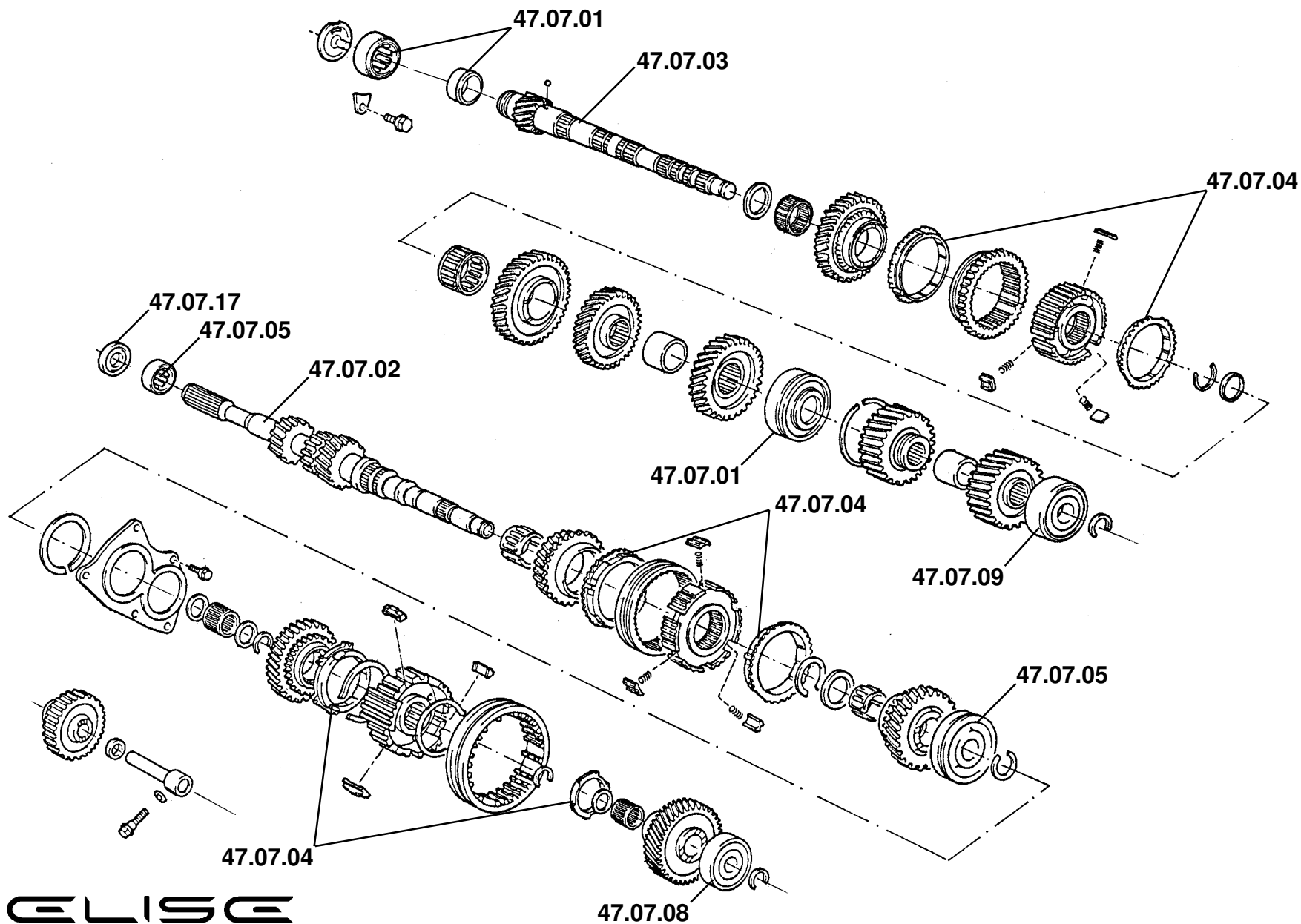


LOTUS ELISE 2004 TMC STANDARD LABOUR TIMES.

Function Area: 47.00 Transmission

Function Code: 47.06 Gear Selector Mechanism, Internal

Operation Code	Description	Op Type	Hours	Derivative
47.06.01-05	Reverse shift arm (gearbox removed)	Renew	1.5	Common
47.06.02-05	Plate, shift interlock (gearbox removed)	Renew	1.5	Common
47.06.03-05	Lever, shift inner (gearbox removed)	Renew	1.5	Common
47.06.04-05	Shaft, shift & select (gearbox removed)	Renew	1.5	Common
47.06.05-05	Gear shift fork, 1st/2nd gears (gearbox removed)	Renew	1.5	Common
47.06.06-05	Shaft, gear shift fork, 1st/2nd gears (gearbox removed)	Renew	1.5	Common
47.06.07-05	Shaft, gear shift fork, 5th/6th gears (gearbox removed)	Renew	1.5	Common
47.06.08-05	Gear shift fork, 5th/6th gears (gearbox removed)	Renew	1.5	Common
47.06.09-05	Gear shift fork, 3rd/4th gears (gearbox removed)	Renew	1.5	Common
47.06.10-05	Gear shift fork, reverse (gearbox removed)	Renew	1.5	Common
47.06.12-05	Shaft, gear shift fork, 3rd/4th gears (gearbox removed)	Renew	1.5	Common
47.06.13-02	Cover assembly, control shaft	Renew	0.4	Common
47.06.99-99	Claim only 1 code for primary failed part, additional to gearbox r&r			



ELISE
47.07

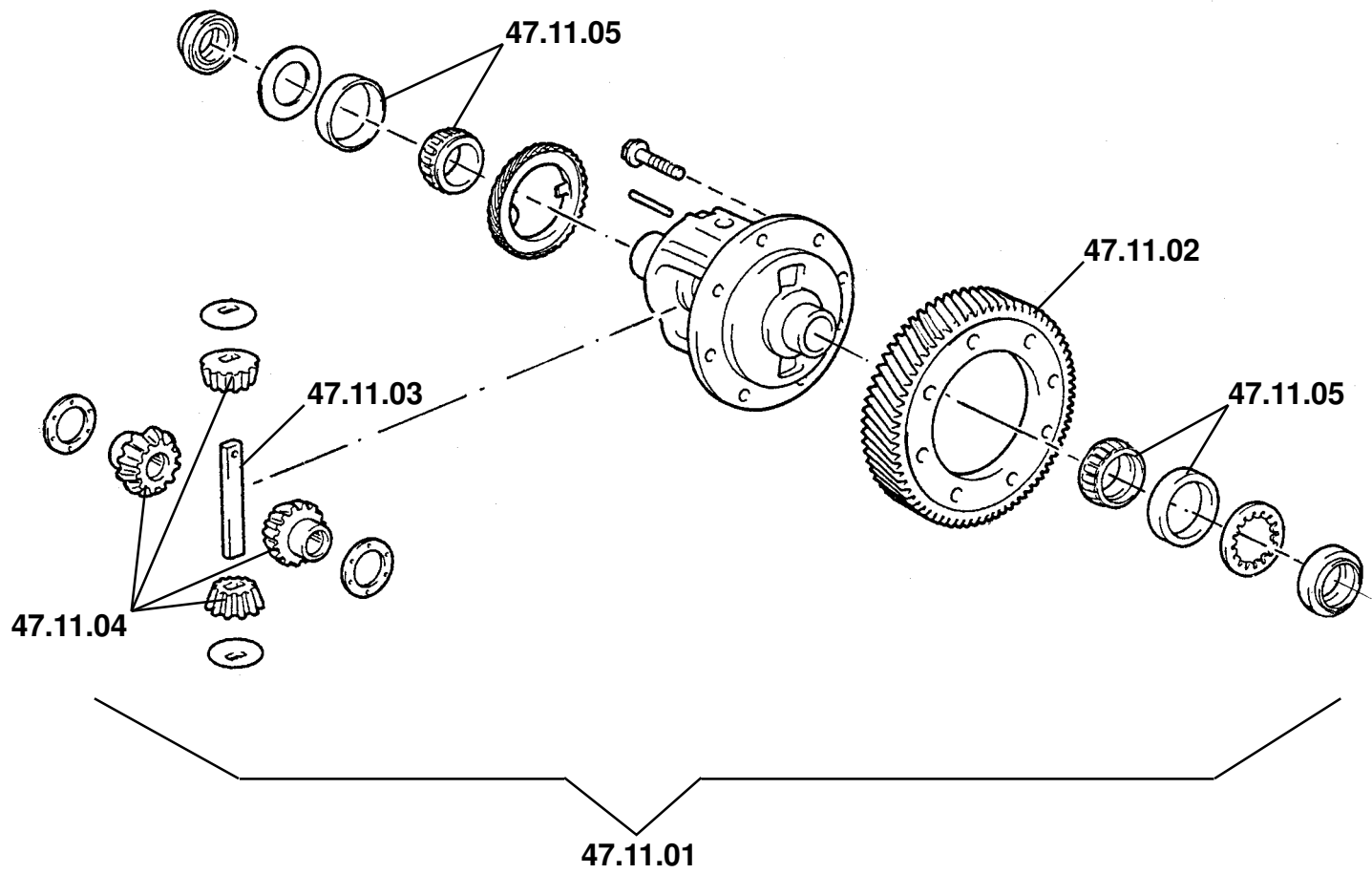


LOTUS ELISE 2004 TMC STANDARD LABOUR TIMES.

Function Area: 47.00 Transmission

Function Code: 47.07 Gears, Shafts & Bearings

Operation Code	Description	Op Type	Hours	Derivative
47.07.01-05	Bearings, output shaft, front/centre (gearbox removed)	Renew	2.2	Common
47.07.02-05	Input shaft (gearbox removed)	Renew	2.4	Common
47.07.03-05	Output shaft (gearbox removed)	Renew	2.6	Common
47.07.04-05	Synchro rings (all) (gearbox removed)	Renew	2.7	Common
47.07.05-05	Bearings, input shaft, front/centre (gearbox removed)	Renew	1.9	Common
47.07.08-05	Bearing, input shaft, rear (gearbox removed)	Renew	2.3	Common
47.07.09-05	Bearing, output shaft, rear (gearbox removed)	Renew	2.3	Common
47.07.17-05	Input shaft oil seal (gearbox removed)	Renew	2.0	Common
47.07.99-99	Claim only 1 code for primary failed part, additional to gearbox r&r			



ELISE
47.11

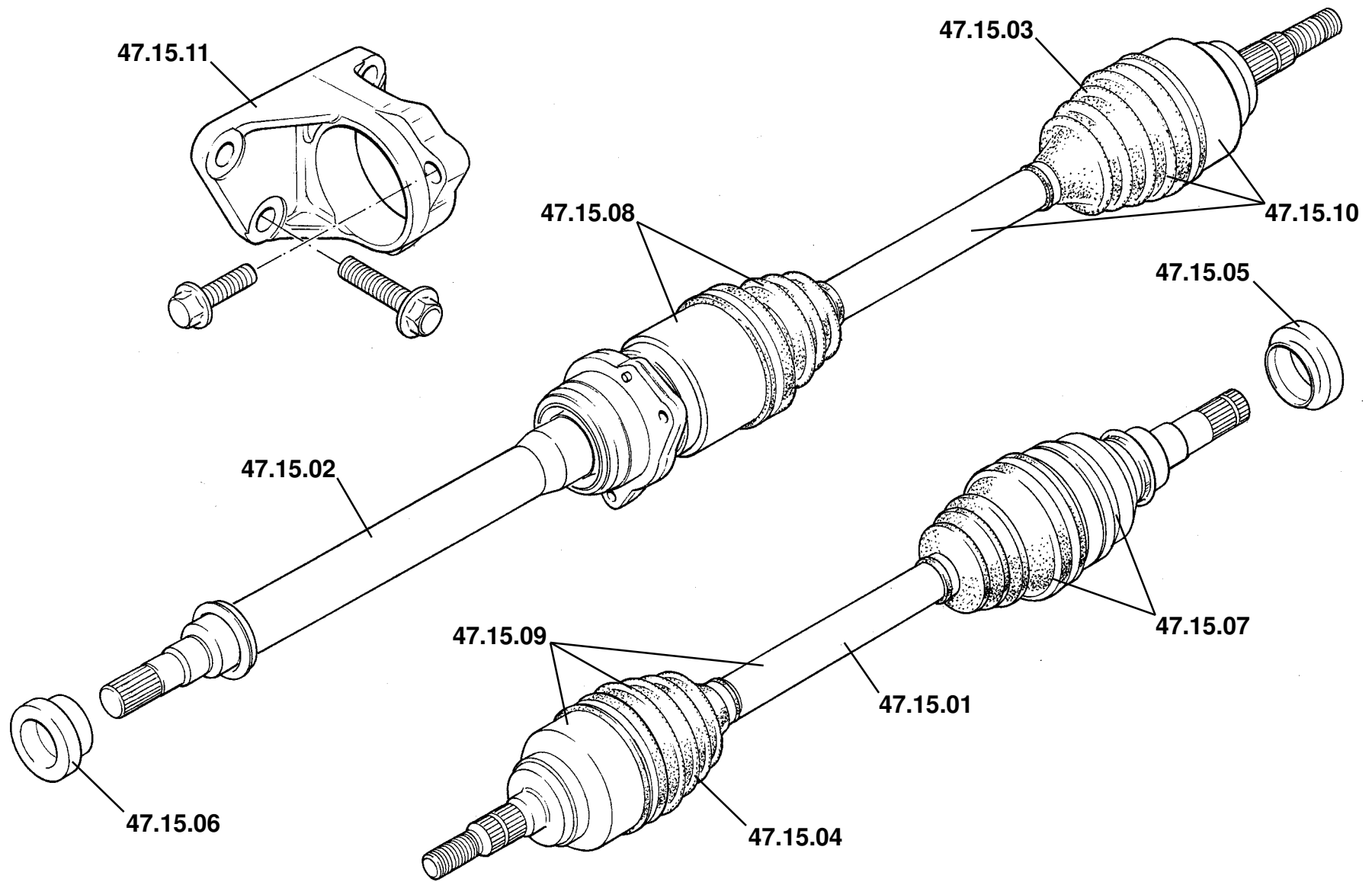


LOTUS ELISE 2004 TMC STANDARD LABOUR TIMES.

Function Area: 47.00 Transmission

Function Code: 47.11 Final Drive & Bearings

Operation Code	Description	Op Type	Hours	Derivative
47.11.01-05	Differential assembly (gearbox removed)	Renew	2.7	Common
47.11.02-05	Final drive gear (gearbox removed)	Renew	2.8	Common
47.11.03-05	Pinion shaft (gearbox removed)	Renew	2.8	Common
47.11.04-05	Sun/planet gears (gearbox removed)	Renew	2.8	Common
47.11.05-05	Bearing taper roller, differential (gearbox removed)	Renew	2.6	Common
47.11.99-99	Claim only 1 code for primary failed part, additional to gearbox r&r			



ELISE

47.15



LOTUS ELISE 2004 TMC STANDARD LABOUR TIMES.

Function Area: 47.00 Transmission

Function Code: 47.15 Driveshafts & Seals

Operation Code	Description	Op Type	Hours	Derivative
47.15.01-01	Driveshaft assembly, LH	r&r	1.0	Common
47.15.01-02	Driveshaft assembly, LH	Renew	1.0	Common
47.15.02-01	Driveshaft assembly, RH	r&r	1.0	Common
47.15.02-02	Driveshaft assembly, RH	Renew	1.0	Common
47.15.03-02	Driveshaft, outer gaiter, RH	Renew	1.3	Common
47.15.04-02	Driveshaft, outer gaiter, LH	Renew	1.3	Common
47.15.05-02	Oil seal, differential to driveshaft assembly, LH	Renew	0.7	Common
47.15.06-02	Oil seal, differential to driveshaft assembly, RH	Renew	0.7	Common
47.15.07-02	CV joint assembly/inboard gaiter assembly, LH	Renew	1.5	Common
47.15.08-02	CV joint assembly/inboard gaiter assembly, RH	Renew	1.5	Common
47.15.09-02	CV joint & shaft assembly, outboard, LH	Renew	1.5	Common
47.15.10-02	CV joint & shaft assembly, outboard, RH	Renew	1.5	Common
47.15.11-01	Driveshaft bearing bracket	r&r	1.0	Common
47.15.11-02	Driveshaft bearing bracket	Renew	1.0	Common

SUGGESTED LABOUR TIME AMENDMENT

Operation No; _____ Model/Year; _____

Reasons for time amendment to existing operation code;

.....

.....

.....

.....

.....

.....

.....

.....

.....

.....

.....

.....

.....

.....

.....

.....

.....

.....

.....

.....

.....

.....

.....

Existing labour time;.....Suggested labour time;.....

Dealer print name;.....Dealer signature;.....

Date; __/__/____ Dealer stamp;

SUGGESTED LABOUR TIME AMENDMENT

Operation No; _____ Model/Year; _____

Reasons for time amendment to existing operation code;

.....

.....

.....

.....

.....

.....

.....

.....

.....

.....

.....

.....

.....

.....

.....

.....

.....

.....

.....

.....

.....

.....

Existing labour time;.....Suggested labour time;.....

Dealer print name;.....Dealer signature;.....

Date; __/__/____ Dealer stamp;

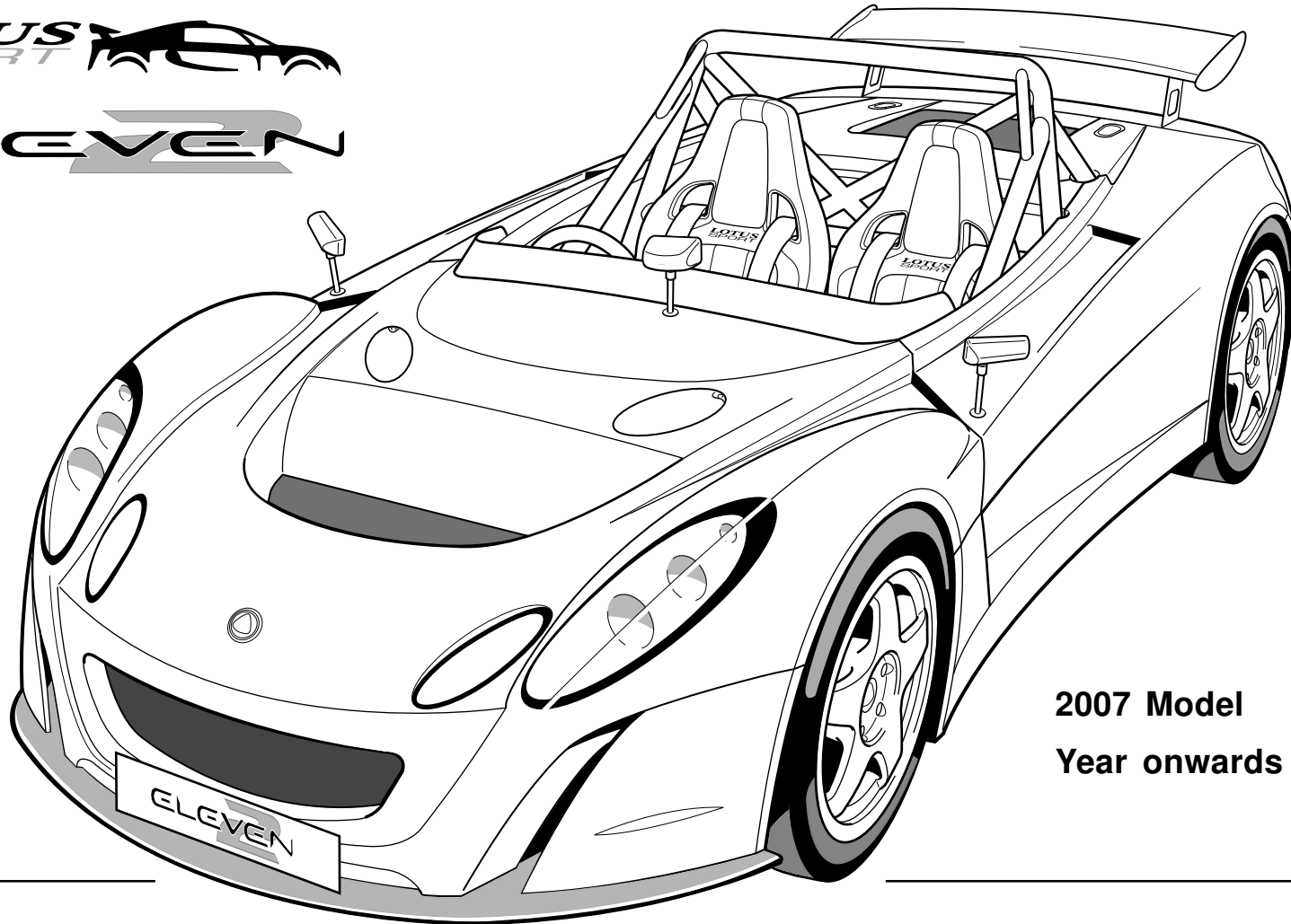


2-ELEVEN LABOUR TIME SCHEDULE

Supplement to Elise/Exige Time Schedule

LOTUS
SPORT

ELEVEN



2007 Model
Year onwards

Technical Service Dept., Lotus Cars Ltd, Hethel, Norwich, Norfolk, NR14 8EZ. England.

Tel: +44 (0)1953 608000 Fax: +44(0)1953 608300 www.lotuscars.co.uk

ELEVEN Contents

10.00 Body

- 10.01 Body: Front Clamshell, Bodysides, Rear Transom etc.
- 10.02 Body: Inner Bodysides, Front & Rear Bulkheads
- 10.09 Front Services Access Panels
- 10.11 Engine Cover Lid & Latch Mechanism
- 10.23 Spoilers & Aerofoils
- 10.25 Undertray & Diffuser

11.00 Glazing and Seals

- 11.01 Aeroscreen

12.01 Exterior Fittings

- 12.01 Wheelarch Liners
- 12.03 Grilles & Louvres
- 12.05 Decals, Badges & Protective Film
- 12.07 License Plate Mountings
- 12.09 Exterior Driving Mirrors

13.00 Seats & Seat Belts

- 13.27 Seat Belts

14.00 Pedal Box & Fascia

- 14.05 Fascia Structure & Supporting Hardware
- 14.10 Instrument Cowling

15.00 Interior Trim

- 15.19 Centre Tunnel Trim, Gear Lever Gaiters/Shrouds

17.00 Electrical

- 17.01 Harnesses & Leads
- 17.03 Horn, Inertia Switch, Modules, Fuses & Relays
- 17.05 Interior Switches, Auxiliary Power Socket
- 17.06 Engine Management & Sensors
- 17.11 Exterior Lamps, Except Headlamps
- 17.13 Headlamps
- 17.31 Battery, Clamps & Cables

30.00 Chassis

- 30.01 Chassis & Subframe
- 30.02 Roll Cage, FIA Compliant

31.00 Suspension

- 31.01 Front Suspension, Incl. Hubs
- 31.03 Rear Suspension, Incl. Hubs

40.00 Engine

- 40.01 Engine Assemblies & Mounts
- 40.15 Accusump, Hoses & Fittings

41.00 Belts & Pulleys

- 41.03 Auxiliary Drive Belts & Pulleys

42.00 Induction Systems

- 42.01 Airboxes, Trunking & Air Filters
- 42.04 Throttle Body, Mechanism & IAC Valve
- 42.07 Inlet Manifold, Supercharged Engine
- 42.09 Supercharger

44.00 Fuel System

- 44.01 Fuel Tanks, Filler
- 44.03 Fuel Pump, Filter, Pipes

45.00 Exhaust

- 45.01 Exhaust System
- 45.05 Heatshields

46.00 Cooling

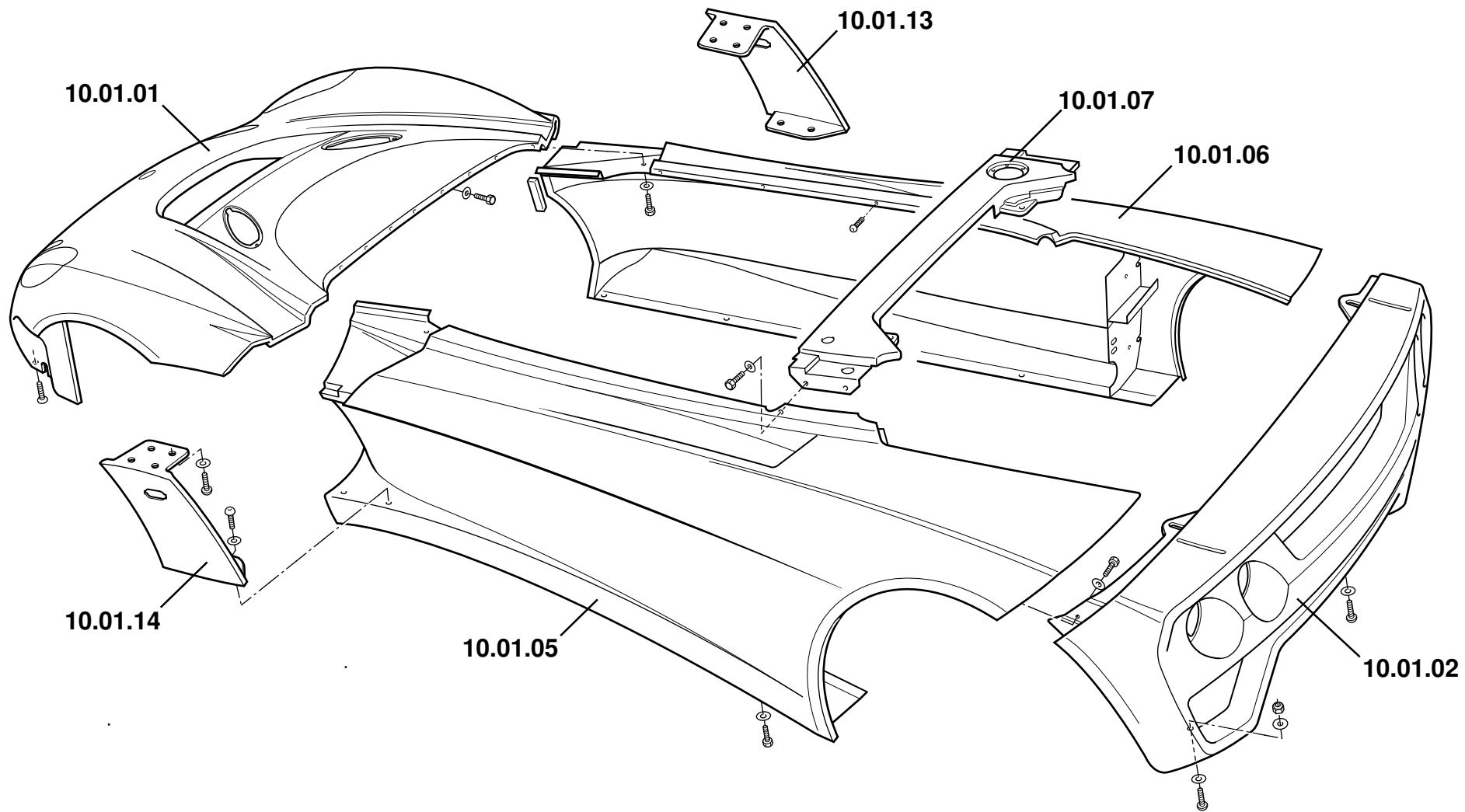
- 46.01 Engine Cooling System & Fan
- 46.03 Oil cooler & Pipes
- 46.10 Chargecooler & Ducting

47.00 Transmission

- 47.01 Clutch & Release Mechanism
- 47.03 Transmission Assembly

Function Code List: Page 1 of 1

Note: Any operation not listed above/contained in this supplement, please refer to the Elise section as the operation time is common.



ELEVEN

10.01

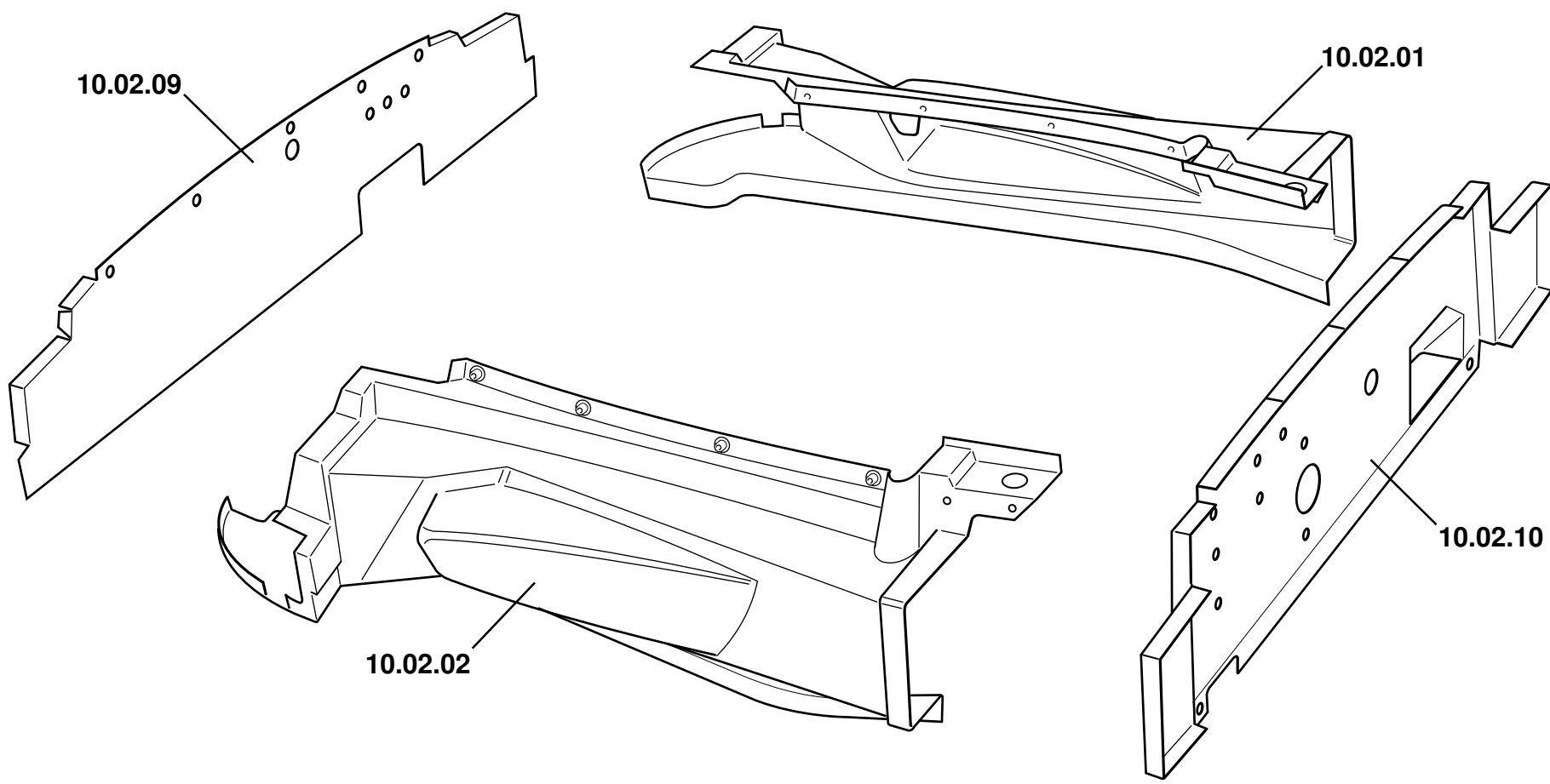


LOTUS 2-ELEVEN STANDARD LABOUR TIMES.

Function Area: 10.00 Body

Function Code: 10.01 Body: Front Clamshell, Bodysides, Rear Transom etc.

Operation Code	Description	Op Type	Hours	Derivative
10.01.01-01	Front clamshell	r&r	1.0	
10.01.01-02	Front clamshell (excl. paint)	Renew	1.0	
10.01.02-01	Rear transom panel	r&r	0.5	
10.01.02-02	Rear transom panel (excl. paint)	Renew	0.5	
10.01.05-01	Bodyside assembly, LH (incl.clamshell removal)	r&r	2.5	
10.01.05-02	Bodyside assembly, LH (excl. paint) (incl.clamshell removal)	Renew	2.5	
10.01.06-01	Bodyside assembly, RH (incl.clamshell removal)	r&r	2.5	
10.01.06-02	Bodyside assembly, RH (excl. paint) (incl.clamshell removal)	Renew	2.5	
10.01.07-01	Scuttle panel, rear (bonded)	r&r	1.0	
10.01.07-02	Scuttle panel, rear (bonded)	Renew	1.0	
10.01.13-01	'A' Panel, RH	r&r	0.2	
10.01.13-02	'A' Panel, RH (excl. paint)	Renew	0.2	
10.01.14-01	'A' Panel, LH	r&r	0.2	
10.01.14-02	'A' Panel, LH (excl. paint)	Renew	0.2	



ELEVEN

10.02

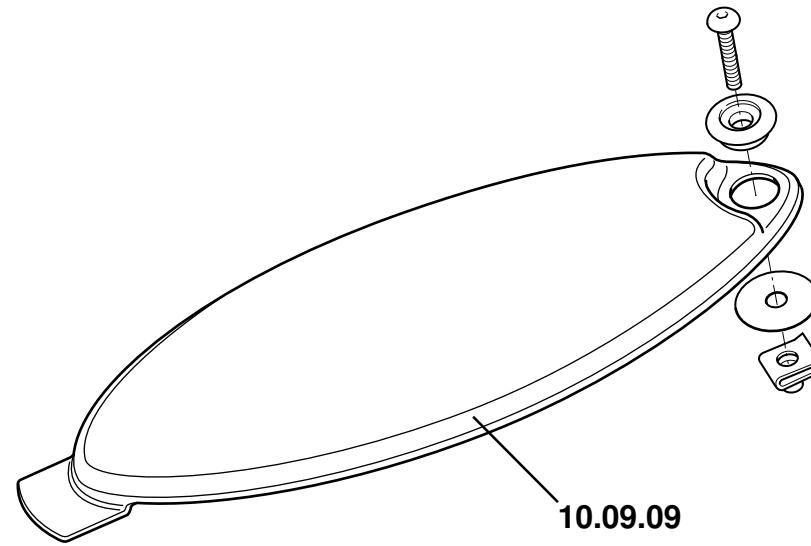
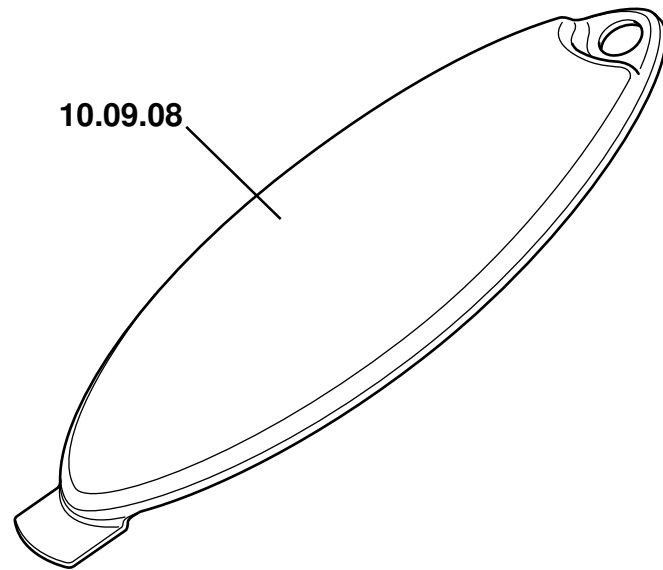


LOTUS 2-ELEVEN STANDARD LABOUR TIMES.

Function Area: 10.00 Body

Function Code: 10.02 Body: Inner Bodysides, Front & Rear Bulkheads

Operation Code	Description	Op Type	Hours	Derivative
10.02.01-02	Bodyside, inner, RH (bonded to chassis)	Renew	2.0	
10.02.02-02	Bodyside, inner, LH (bonded to chassis)	Renew	2.0	
10.02.09-02	Front bulkhead assembly (bonded to chassis)	Renew	2.4	
10.02.10-02	Rear bulkhead assembly (bonded to chassis)	Renew	2.4	



ELEVEN

10.09

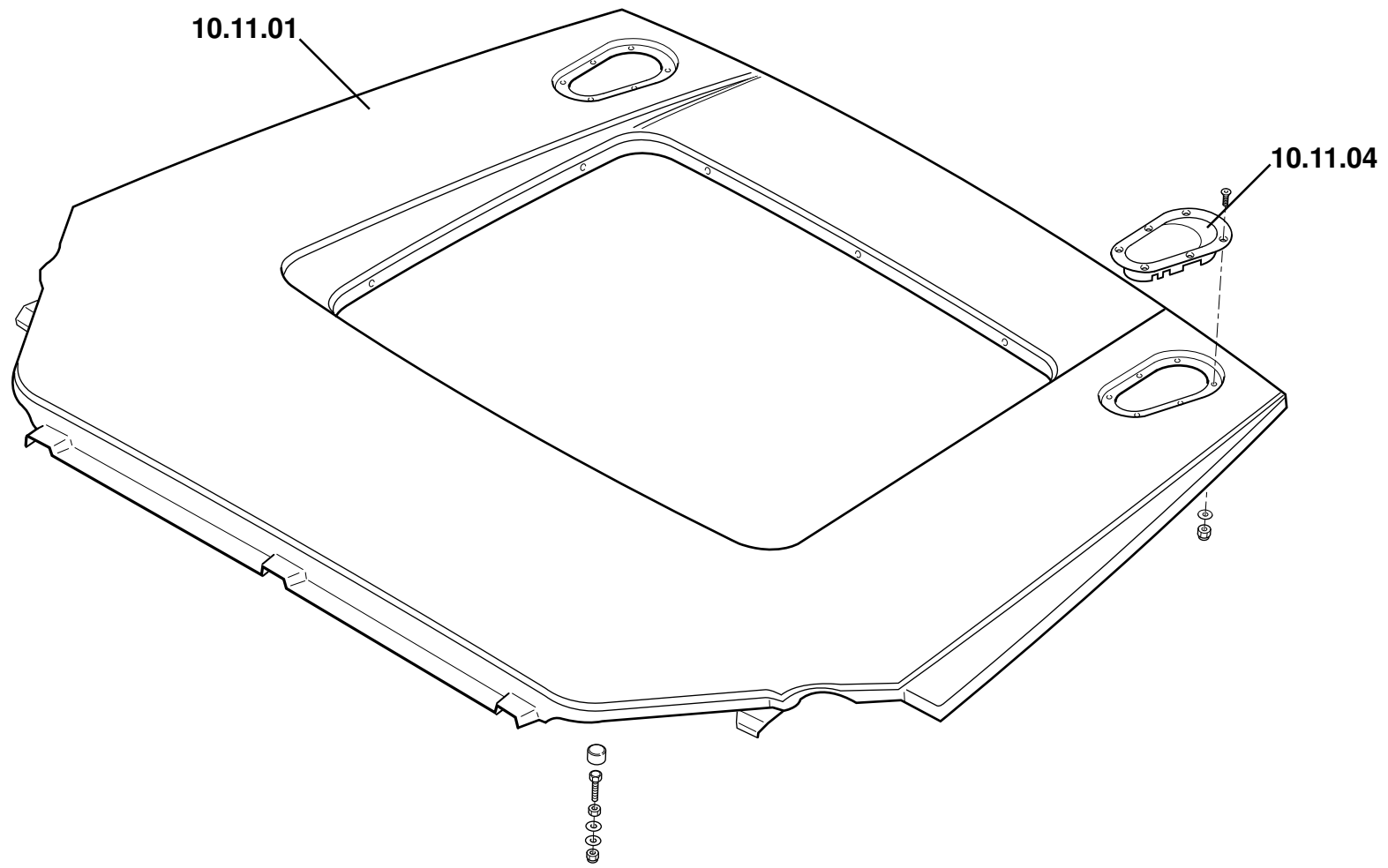


LOTUS 2-ELEVEN STANDARD LABOUR TIMES.

Function Area: 10.00 Body

Function Code: 10.09 Front Services Access Panels

Operation Code	Description	Op Type	Hours	Derivative
10.09.08-01	Front access panel, RH	r&r	0.1	
10.09.08-02	Front access panel, RH (excl. paint)	Renew	0.1	
10.09.09-01	Front access panel, LH	r&r	0.1	
10.09.09-02	Front access panel, LH (excl. paint)	Renew	0.1	



ELEVEN

10.11

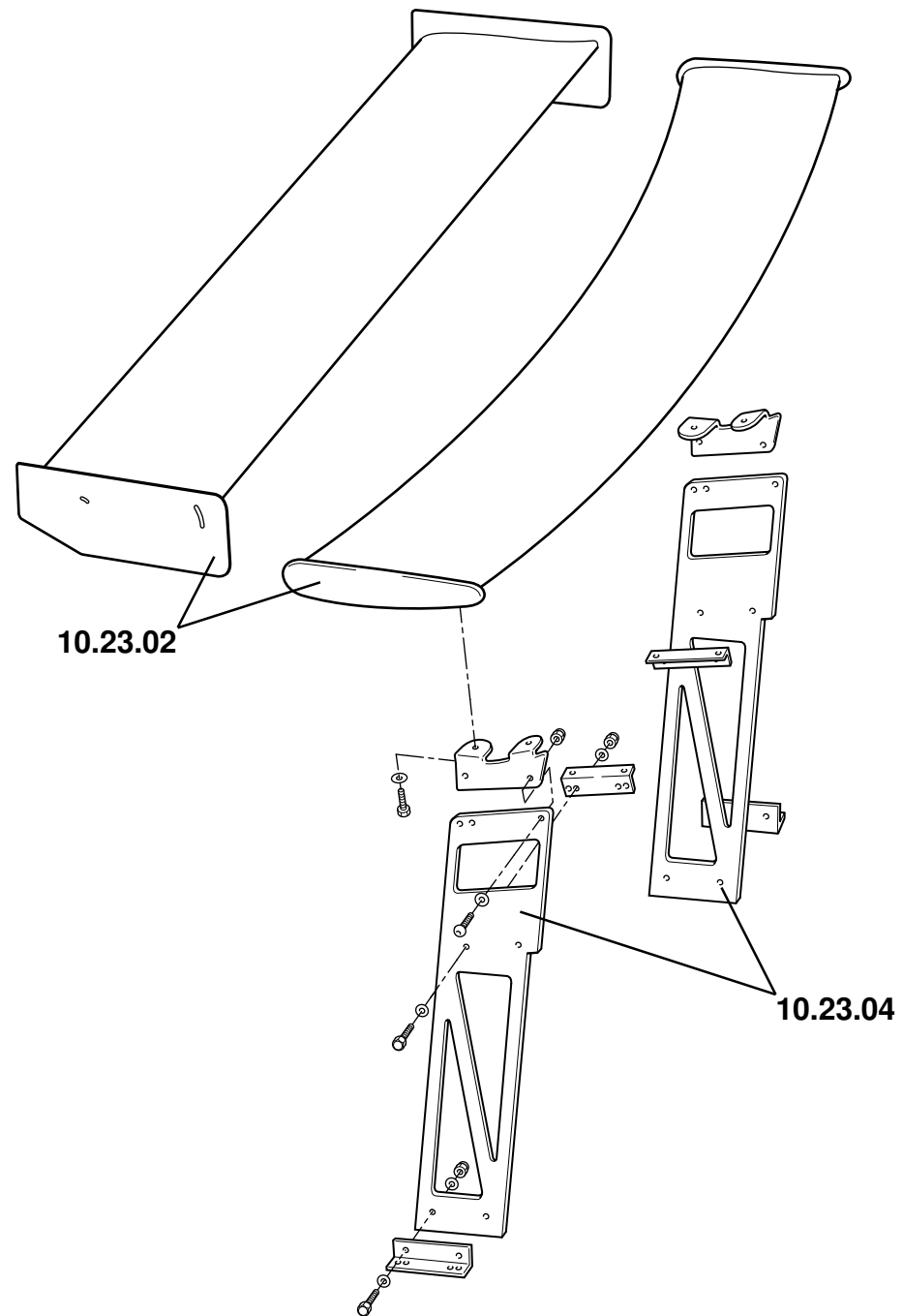
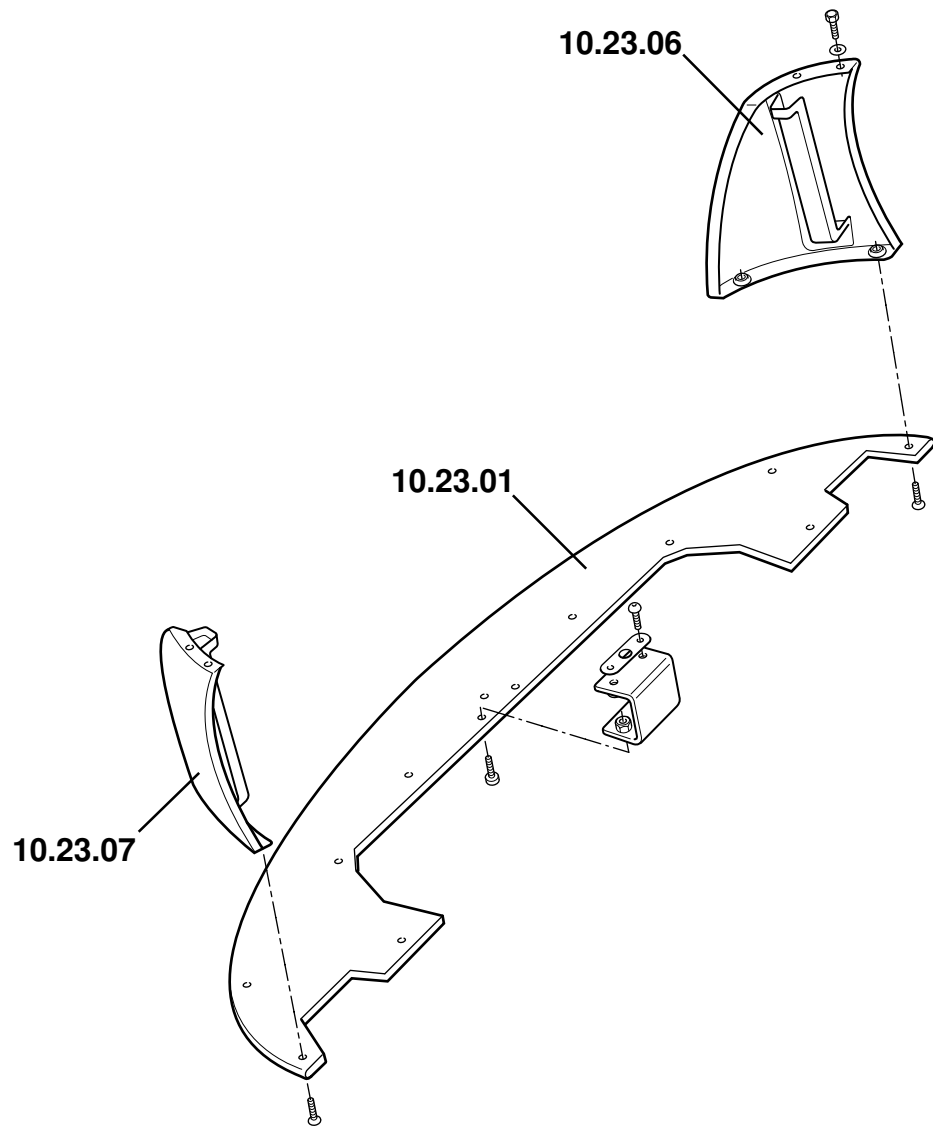


LOTUS 2-ELEVEN STANDARD LABOUR TIMES.

Function Area: 10.00 Body

Function Code: 10.11 Engine Cover Lid & Latch Mechanism

Operation Code	Description	Op Type	Hours	Derivative
10.11.01-01	Engine cover lid	r&r	0.1	
10.11.01-02	Engine cover lid (excl. paint)	Renew	0.2	
10.11.04-01	Latch assembly, AeroCatch	r&r	0.2	
10.11.04-02	Latch assembly, AeroCatch	Renew	0.2	



ELEVEN
10.23

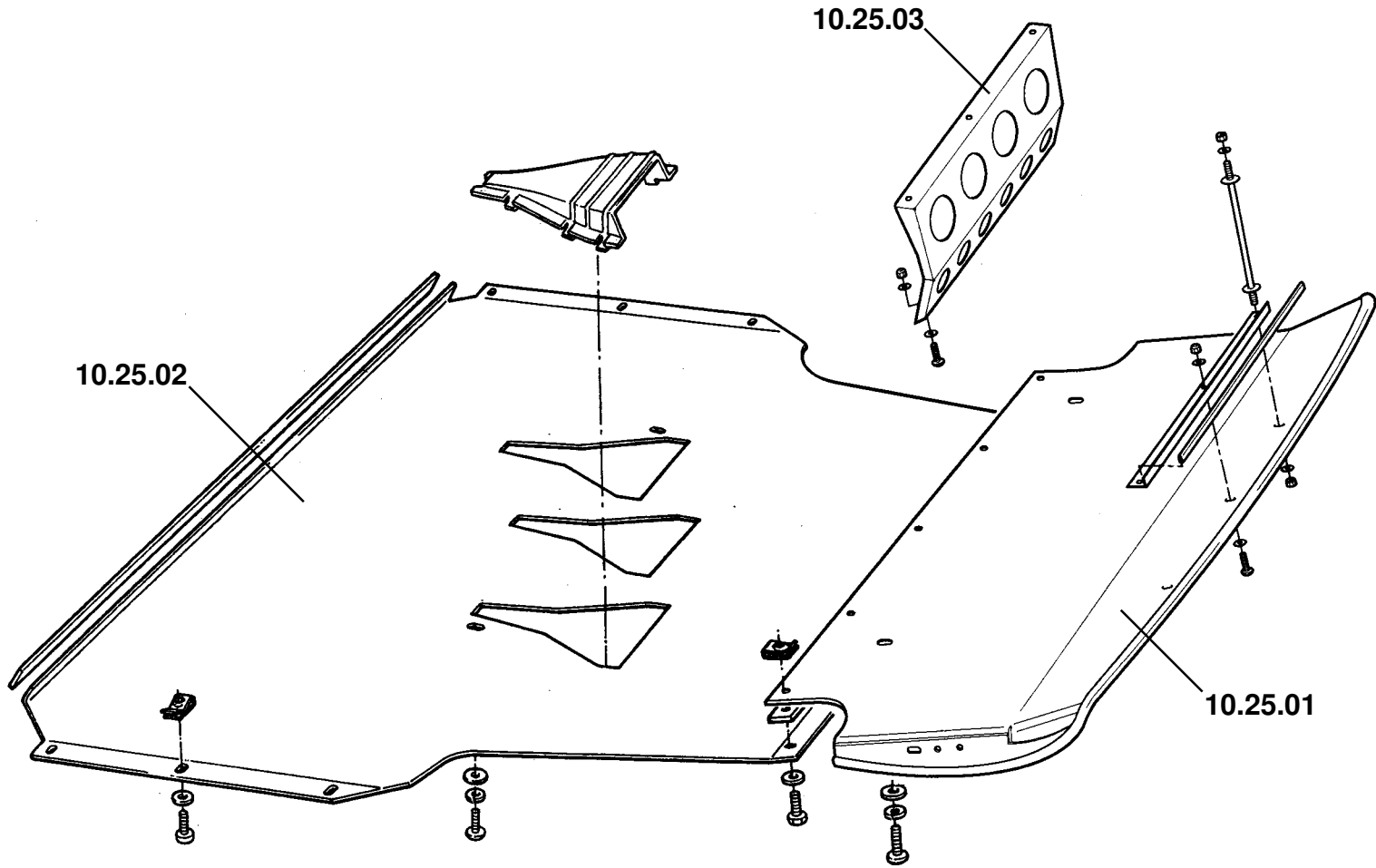


LOTUS 2-ELEVEN STANDARD LABOUR TIMES.

Function Area: 10.00 Body

Function Code: 10.23 Spoilers & Aerofoils

Operation Code	Description	Op Type	Hours	Derivative
10.23.01-01	Splitter panel	r&r	0.5	
10.23.01-02	Splitter panel	Renew	0.5	
10.23.02-01	Aerofoil, rear	r&r	0.2	
10.23.02-02	Aerofoil, rear	Renew	0.2	
10.23.04-01	Mounting plate, aerofoil	r&r	0.5	
10.23.04-02	Mounting plate, aerofoil	Renew	0.5	
10.23.06-01	Splitter end plate assembly, RH (excl. paint)	r&r	0.1	
10.23.06-02	Splitter end plate assembly, RH (excl. paint)	Renew	0.1	
10.23.07-01	Splitter end plate assembly, LH (excl. paint)	r&r	0.1	
10.23.07-02	Splitter end plate assembly, LH (excl. paint)	Renew	0.1	



ELEVEN

10.25

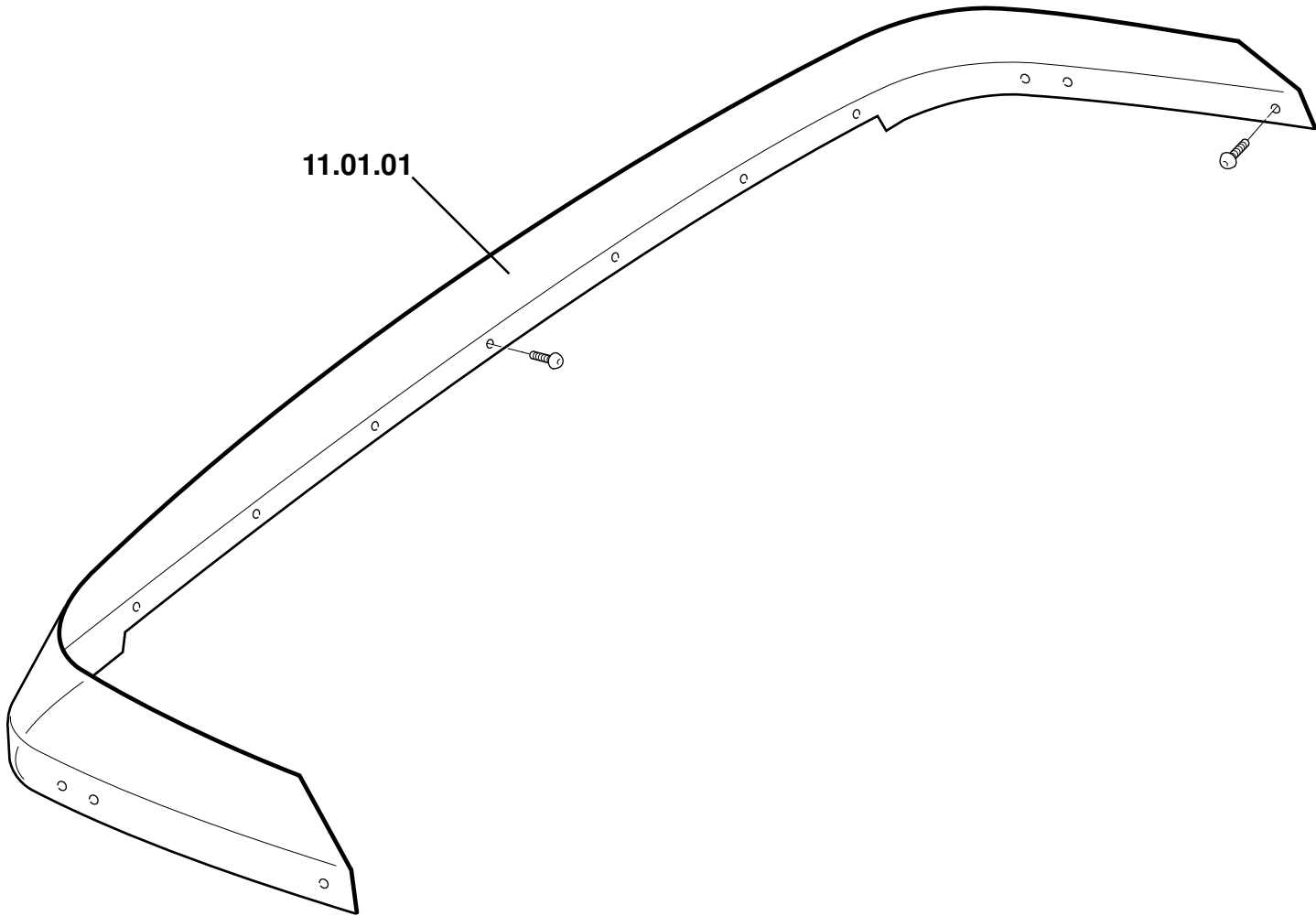


LOTUS 2-ELEVEN STANDARD LABOUR TIMES.

Function Area: 10.00 Body

Function Code: 10.25 Undertray & Diffuser

Operation Code	Description	Op Type	Hours	Derivative
10.25.01-01	Diffuser	r&r	0.3	
10.25.01-02	Diffuser	Renew	0.3	
10.25.02-01	Undertray	r&r	0.2	
10.25.02-02	Undertray	Renew	0.3	
10.25.03-01	Support plate	r&r	0.4	
10.25.03-02	Support plate	Renew	0.4	



11.01.01

ELEVEN

11.01



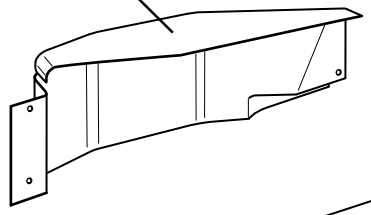
LOTUS 2-ELEVEN STANDARD LABOUR TIMES.

Function Area: 11.00 Glazing and Seals

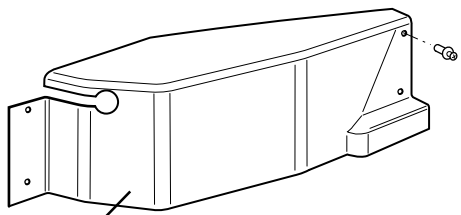
Function Code: 11.01 Aeroscreen

Operation Code	Description	Op Type	Hours	Derivative
11.01.01-02	Aeroscreen	Renew	0.2	

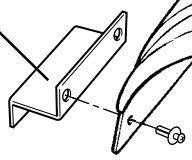
12.01.02



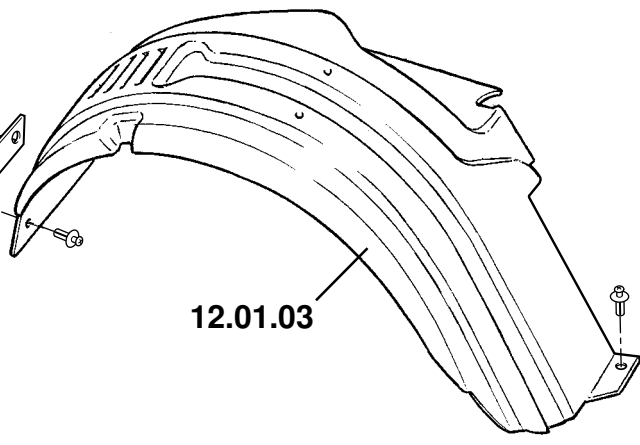
12.01.01



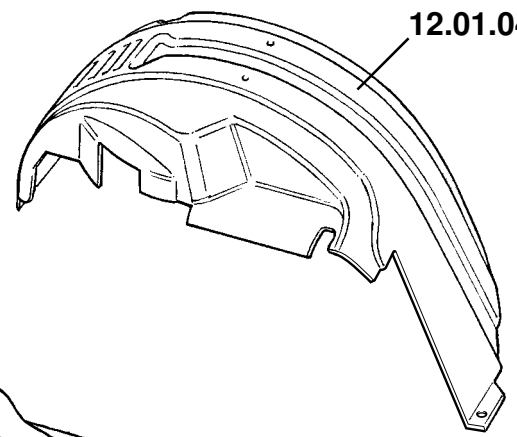
12.01.11



12.01.03



12.01.04



ELEVEN

12.01

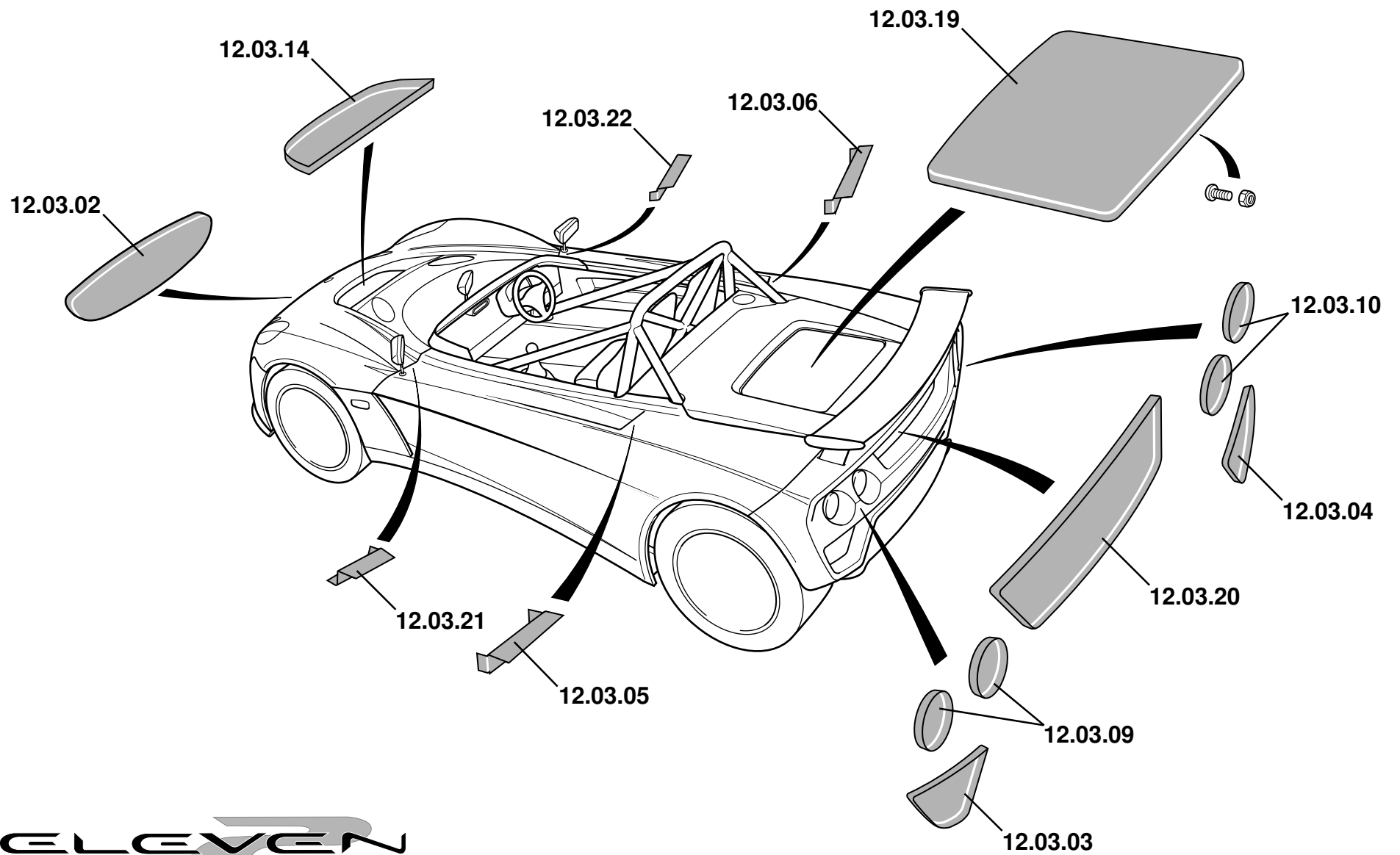


LOTUS 2-ELEVEN STANDARD LABOUR TIMES.

Function Area: 12.00 Exterior Fittings

Function Code: 12.01 Wheelarch Liners

Operation Code	Description	Op Type	Hours	Derivative
12.01.01-01	Wheelarch liner, front, LH	r&r	0.2	
12.01.01-02	Wheelarch liner, front, LH	Renew	0.2	
12.01.02-01	Wheelarch liner, front, RH	r&r	0.2	
12.01.02-02	Wheelarch liner, front, RH	Renew	0.2	
12.01.03-01	Wheelarch liner, rear, LH	r&r	0.2	
12.01.03-02	Wheelarch liner, rear, LH	Renew	0.2	
12.01.04-01	Wheelarch liner, rear, RH	r&r	0.2	
12.01.04-02	Wheelarch liner, rear, RH	Renew	0.2	
12.01.11-02	Bracket, rear liner mounting	Renew	0.4	



ELEVEN

12.03



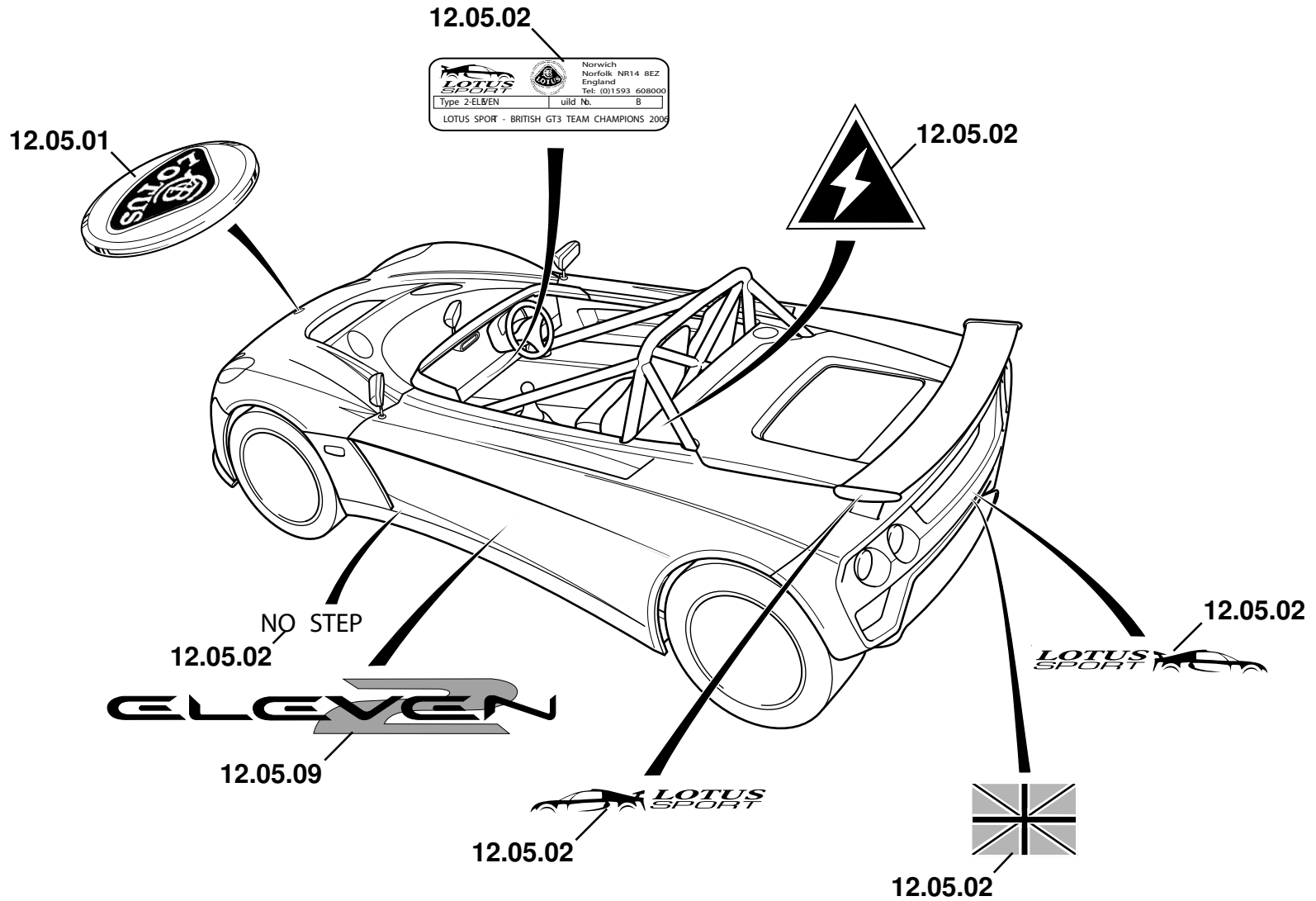
LOTUS 2-ELEVEN STANDARD LABOUR TIMES.

Function Area: 12.00 Exterior Fittings

Function Code: 12.03 Grilles and Louvres

Operation Code	Description	Op Type	Hours	Derivative
12.03.02-01	Grille, front intake (Time includes front clamshell removal)	r&r	1.5	
12.03.02-02	Grille, front intake (Time includes front clamshell removal)	Renew	1.5	
12.03.03-01	Grille, rear transom, lower, LH	r&r	1.0	
12.03.03-02	Grille, rear transom, lower, LH	Renew	1.0	
12.03.04-01	Grille, rear transom, lower, RH	r&r	1.0	
12.03.04-02	Grille, rear transom, lower, RH	Renew	1.0	
12.03.05-01	Grille, bodyside vent, rear, LH (incl.clamshell/bodyside removal)	r&r	3.0	
12.03.05-02	Grille, bodyside vent, rear, LH (incl.clamshell/bodyside removal)	Renew	3.0	
12.03.06-01	Grille, bodyside vent, rear, RH (incl.clamshell/bodyside removal)	r&r	3.0	
12.03.06-02	Grille, bodyside vent, rear, RH (incl.clamshell/bodyside removal)	Renew	3.0	
12.03.09-01	Grille, rear lamp pocket, LH	r&r	1.0	
12.03.09-02	Grille, rear lamp pocket, LH	Renew	1.0	
12.03.10-01	Grille, rear lamp pocket, RH	r&r	1.0	
12.03.10-02	Grille, rear lamp pocket, RH	Renew	1.0	
12.03.14-01	Grille, radiator exit (Time includes front clamshell removal)	r&r	1.5	
12.03.14-02	Grille, radiator exit (Time includes front clamshell removal)	Renew	1.5	
12.03.19-01	Grille, engine cover	r&r	0.2	
12.03.19-02	Grille, engine cover	Renew	0.2	
12.03.20-01	Grille, rear transom, centre	r&r	1.0	
12.03.20-02	Grille, rear transom, centre	Renew	1.0	
12.03.21-01	Grille, bodyside vent, front, LH (incl.clamshell/bodyside removal)	r&r	3.0	
12.03.21-02	Grille, bodyside vent, front, LH (incl.clamshell/bodyside removal)	Renew	3.0	
12.03.22-01	Grille, bodyside vent, front, RH (incl.clamshell/bodyside removal)	r&r	3.0	
12.03.22-02	Grille, bodyside vent, front, RH (incl.clamshell/bodyside removal)	Renew	3.0	

Function Code: 12.03, Page: 1



ELEVEN

12.05

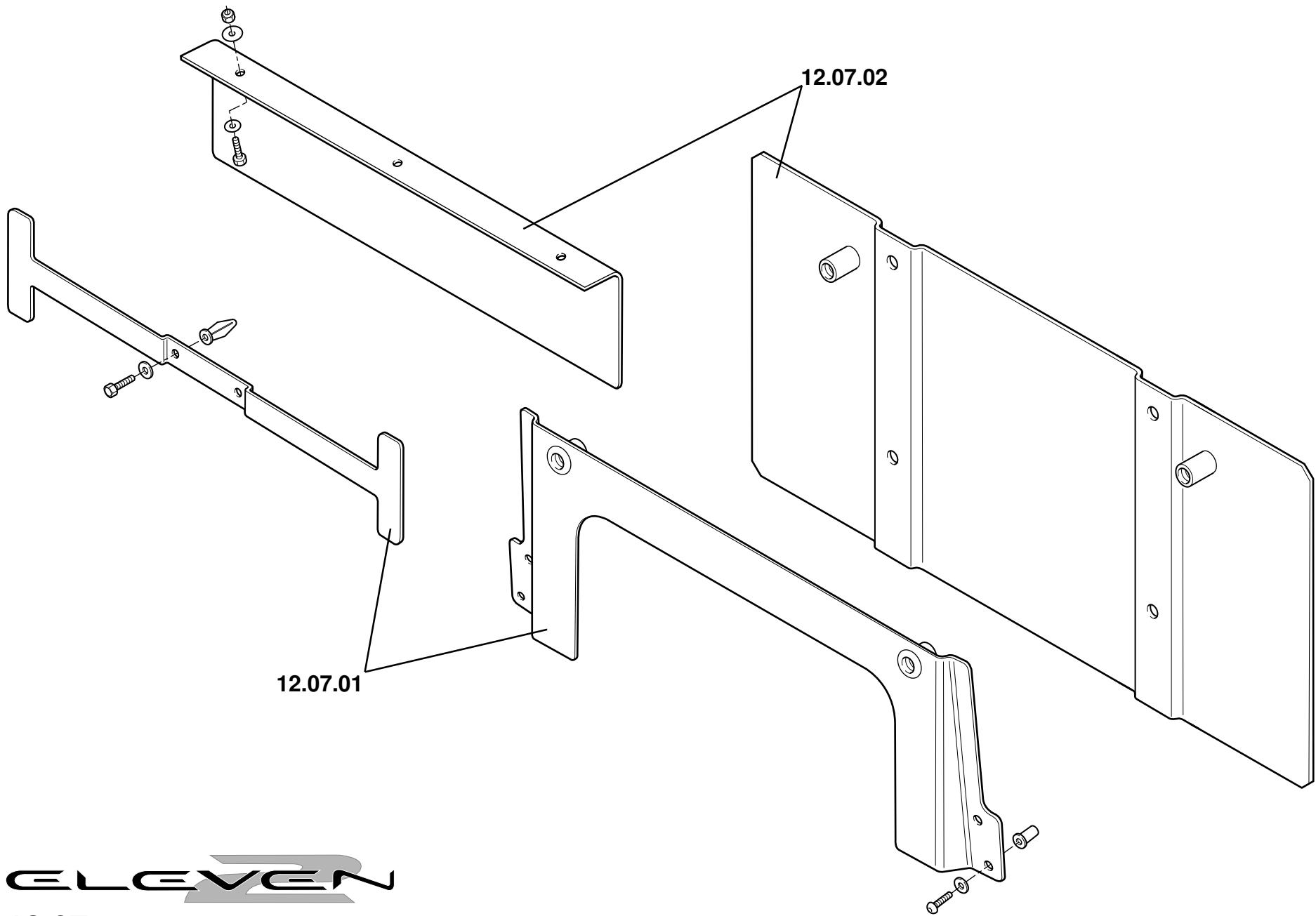


LOTUS 2-ELEVEN STANDARD LABOUR TIMES.

Function Area: 12.00 Exterior Fittings

Function Code: 12.05 Decals, Badges & Protective Film

Operation Code	Description	Op Type	Hours	Derivative
12.05.01-02	Nose badge, Lotus logo	Renew	0.2	
12.05.02-02	Decal, any individual	Renew	0.2	
12.05.09-02	Decal set, 2-Eleven, bodysides, incl. all stripes	Renew	3.0	



ELEVEN

12.07



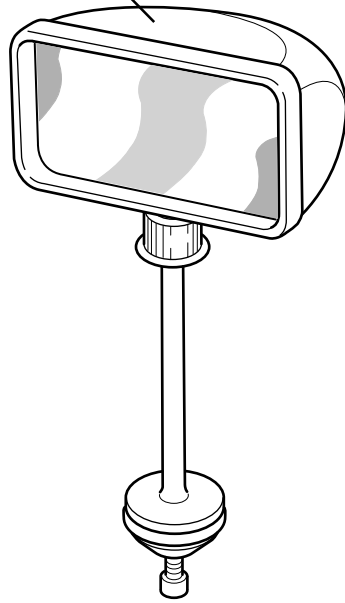
LOTUS 2-ELEVEN STANDARD LABOUR TIMES.

Function Area: 12.00 Exterior Fittings

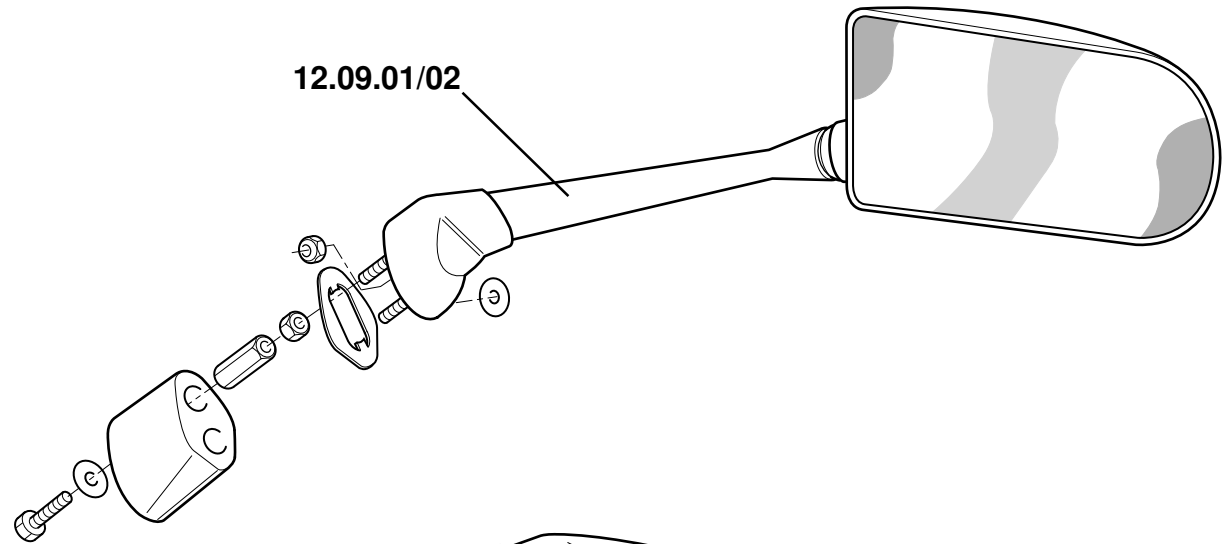
Function Code: 12.07 Licence Plate Mountings

Operation Code	Description	Op Type	Hours	Derivative
12.07.01-01	Bracket, front license plate	r&r	0.2	
12.07.01-02	Bracket, front license plate	Renew	0.2	
12.07.02-01	Bracket, rear license plate	r&r	0.3	
12.07.02-02	Bracket, rear license plate	Renew	0.3	

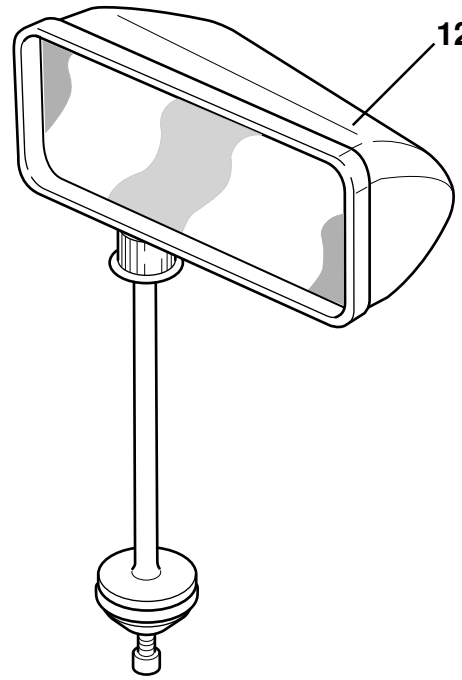
12.09.08



12.09.01/02



12.09.09/10



ELEVEN

12.09

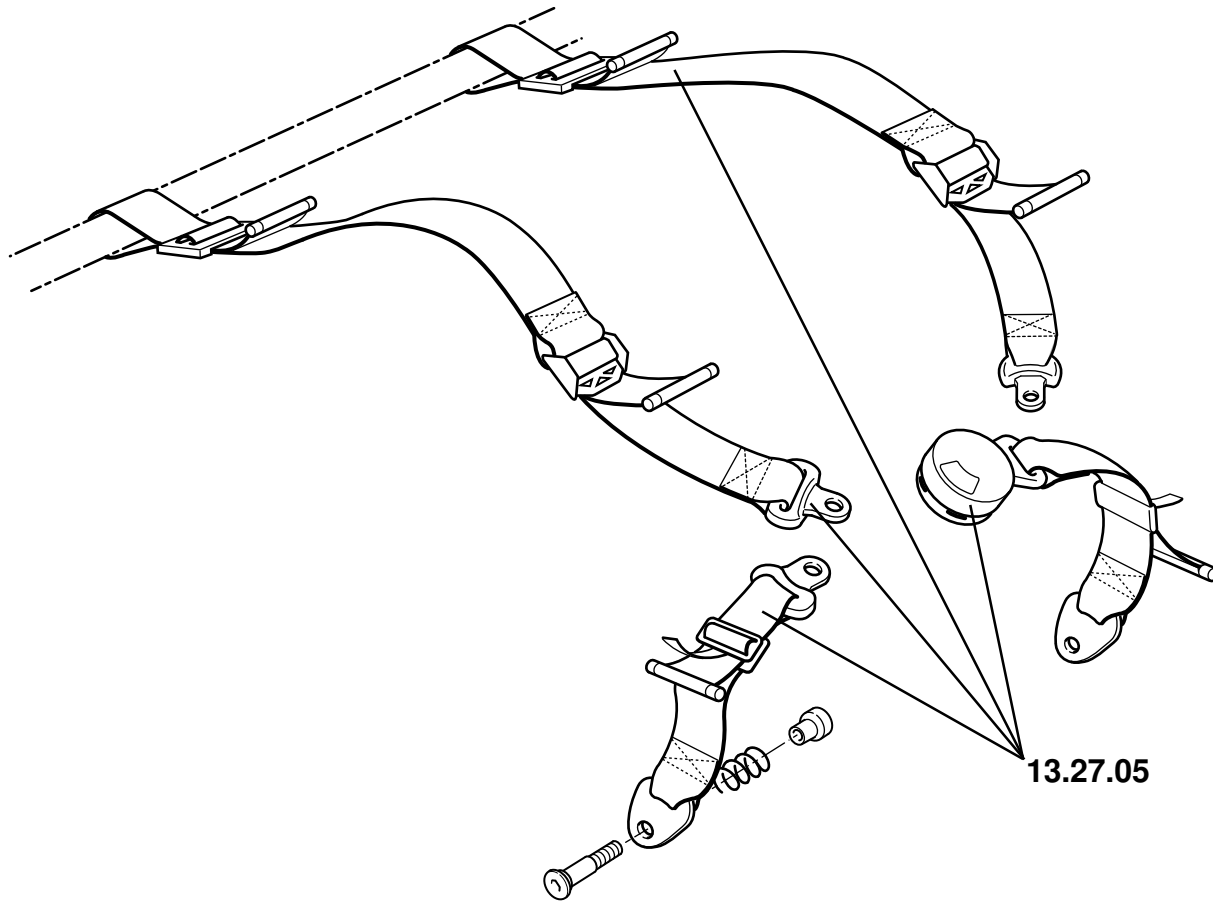


LOTUS 2-ELEVEN STANDARD LABOUR TIMES.

Function Area: 12.00 Exterior Fittings

Function Code: 12.09 Exterior Driving Mirrors

Operation Code	Description	Op Type	Hours	Derivative
12.09.01-01	Mirror assembly, road, RH	r&r	0.6	
12.09.01-02	Mirror assembly, road, RH	Renew	0.6	
12.09.02-01	Mirror assembly, road, LH	r&r	0.6	
12.09.02-02	Mirror assembly, road, LH	Renew	0.6	
12.09.08-01	Mirror assembly, rear view (common)	r&r	0.2	
12.09.08-02	Mirror assembly, rear view (common)	Renew	0.2	
12.09.09-01	Mirror assembly, track, RH	r&r	1.6	
12.09.09-02	Mirror assembly, track, RH	Renew	1.6	
12.09.10-01	Mirror assembly, track, LH	r&r	1.6	
12.09.10-02	Mirror assembly, track, LH	Renew	1.6	



13.27.05

ELEVEN

13.27

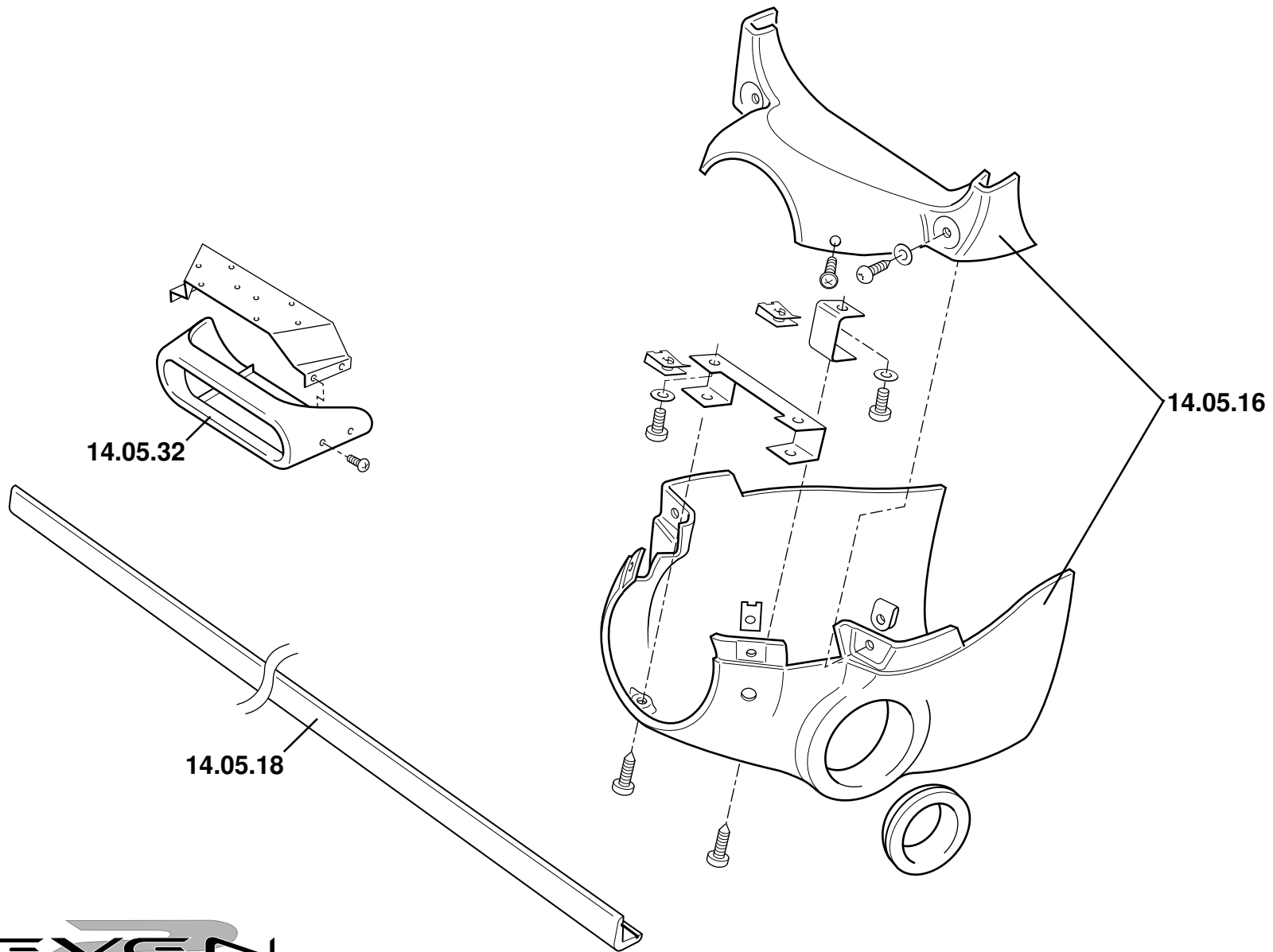


LOTUS 2-ELEVEN STANDARD LABOUR TIMES.

Function Area: 13.00 Seats & Seat Belts

Function Code: 13.27 Seat Belts, front

Operation Code	Description	Op Type	Hours	Derivative
13.27.05-01	Four point seat belt assembly (each)	r&r	1.0	
13.27.05-02	Four point seat belt assembly (each)	Renew	1.0	



ELEVEN

14.05

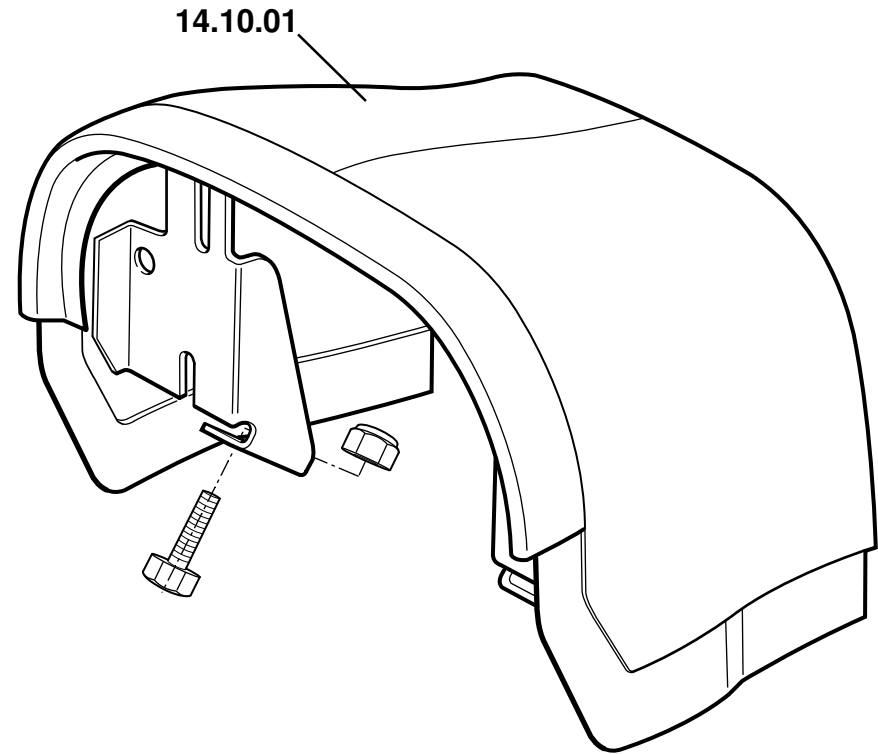


LOTUS 2-ELEVEN STANDARD LABOUR TIMES.

Function Area: 14.00 Pedal Box & Fascia

Function Code: 14.05 Fascia Structure & Supporting Hardware

Operation Code	Description	Op Type	Hours	Derivative
14.05.16-01	Steering column shroud	r&r	0.1	
14.05.16-02	Steering column shroud	Renew	0.1	
14.05.18-02	Edge finisher, scuttle beam	Renew	0.1	
14.05.32-01	Panel, centre switches	r&r	0.1	
14.05.32-02	Panel, centre switches	Renew	0.1	



ELEVEN

14.10

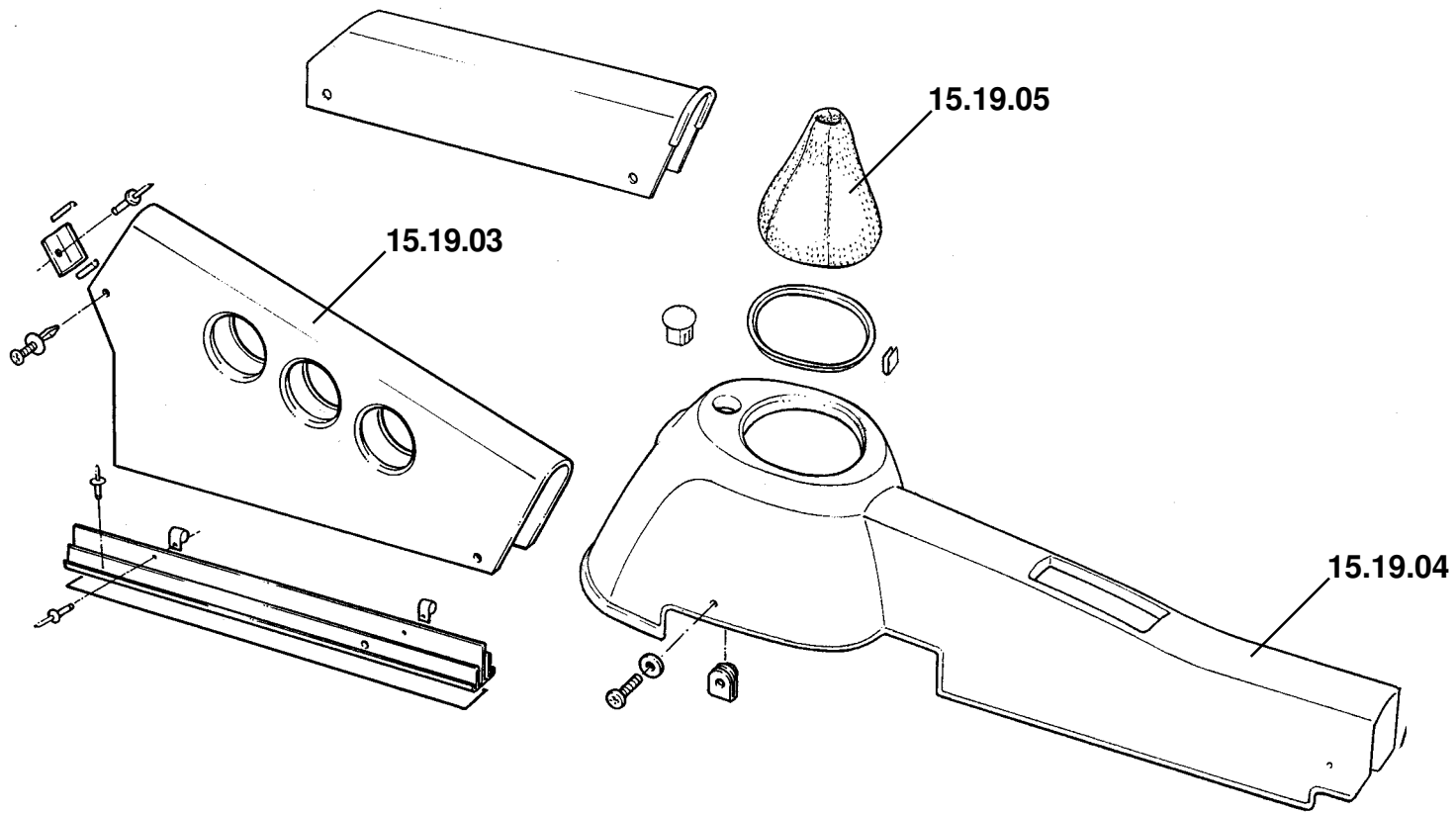


LOTUS 2-ELEVEN STANDARD LABOUR TIMES.

Function Area: 14.00 Pedal Box & Fascia

Function Code: 14.10 Instrument Cowling

Operation Code	Description	Op Type	Hours	Derivative
14.10.01-01	Instrument cowl	r&r	0.1	
14.10.01-02	Instrument cowl	Renew	0.1	



ELEVEN

15.19

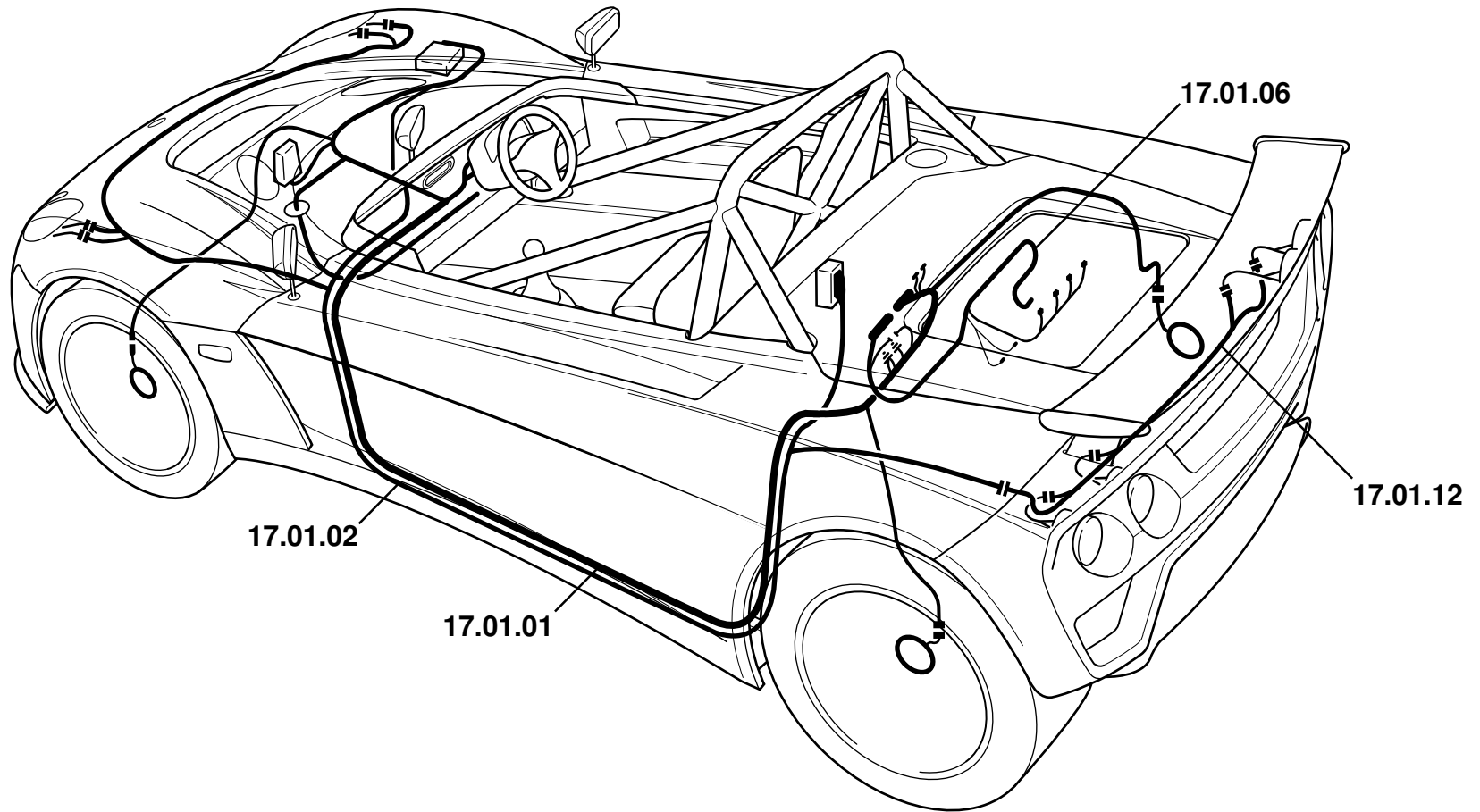


LOTUS 2-ELEVEN STANDARD LABOUR TIMES.

Function Area: 15.00 Interior Trim

Function Code: 15.19 Centre Tunnel Trim, Gear Lever Gaiters/Shrouds

Operation Code	Description	Op Type	Hours	Derivative
15.19.03-01	Cover, tunnel front	r&r	0.3	
15.19.03-02	Cover, tunnel front	Renew	0.3	
15.19.04-01	Shroud, gear lever/parking brake	r&r	0.2	
15.19.04-02	Shroud, gear lever/parking brake	Renew	0.2	
15.19.05-01	Gear lever gaiter	r&r	0.1	
15.19.05-02	Gear lever gaiter	Renew	0.1	



ELEVEN

17.01

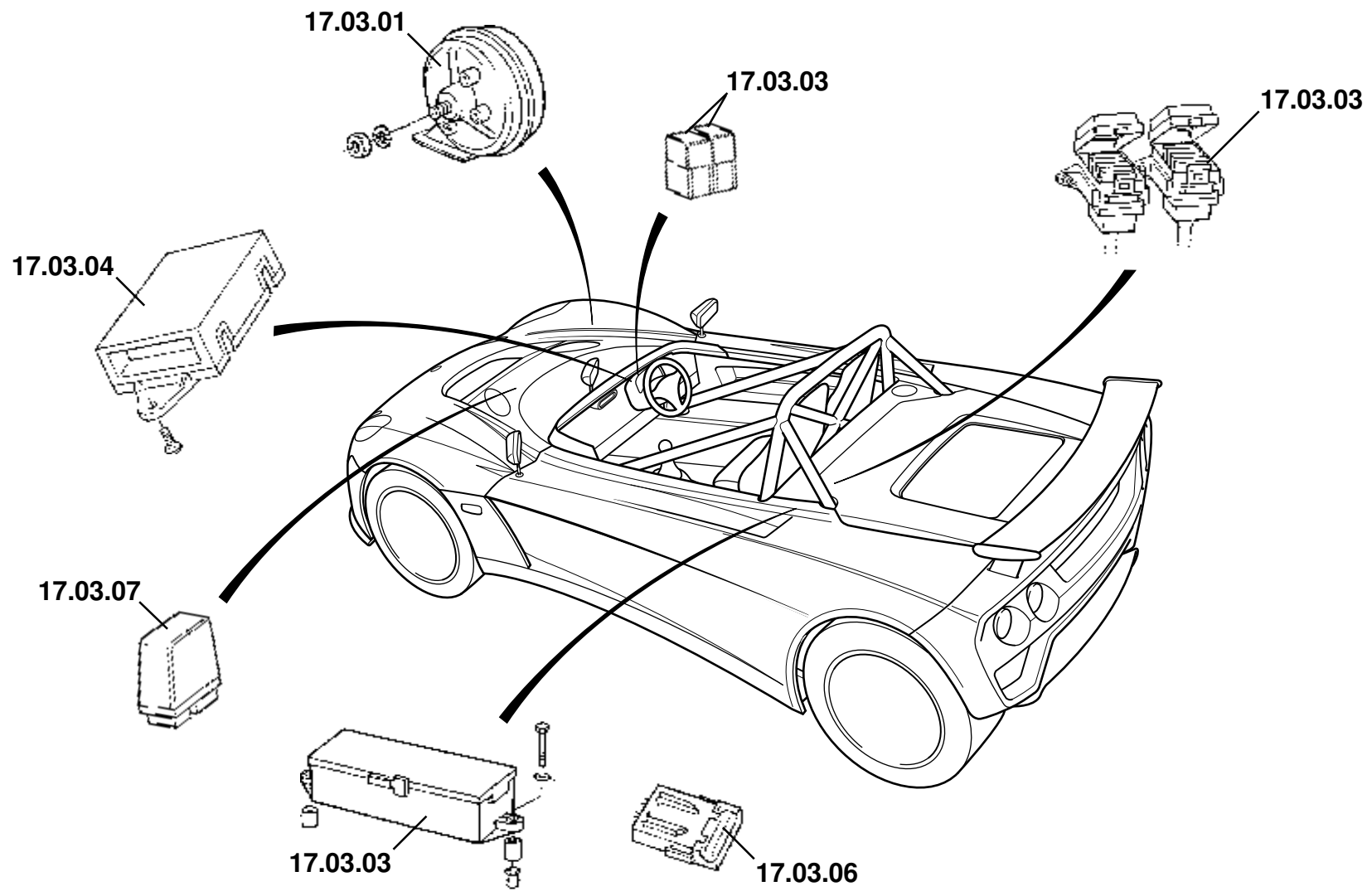


LOTUS 2-ELEVEN STANDARD LABOUR TIMES.

Function Area: 17.00 Electrical

Function Code: 17.01 Harnesses, Leads

Operation Code	Description	Op Type	Hours	Derivative
17.01.01-02	Harness, main	Renew	4.0	
17.01.02-02	Harness, SVA option	Renew	2.0	
17.01.06-02	Harness, engine	Renew	0.9	
17.01.12-02	Harness, rear	Renew	1.5	



ELEVEN

17.03



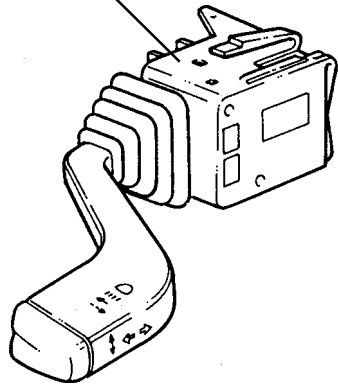
LOTUS 2-ELEVEN STANDARD LABOUR TIMES.

Function Area: 17.00 Electrical

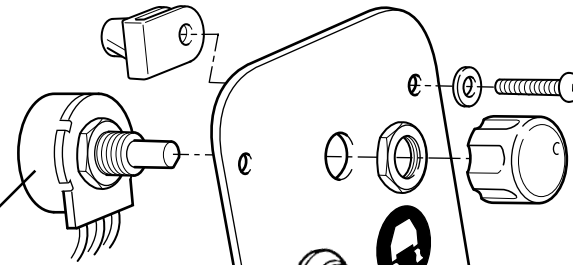
Function Code: 17.03 Horn, Inertia Switch, Modules, Fuses & Relays

Operation Code	Description	Op Type	Hours	Derivative
17.03.01-01	Horn	r&r	0.4	
17.03.01-02	Horn	Renew	0.4	
17.03.03-02	Fuses & relays (any)	Renew	0.5	
17.03.04-02	Switch controller	Renew	0.6	
17.03.06-02	Maxi fuse/engine fuses	Renew	0.4	
17.03.07-02	Fan control module	Renew	1.1	

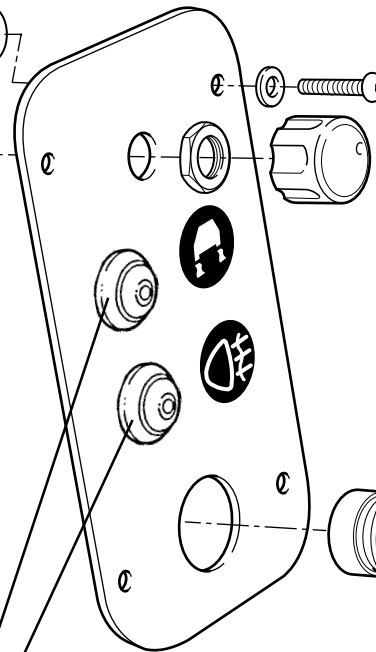
17.05.02



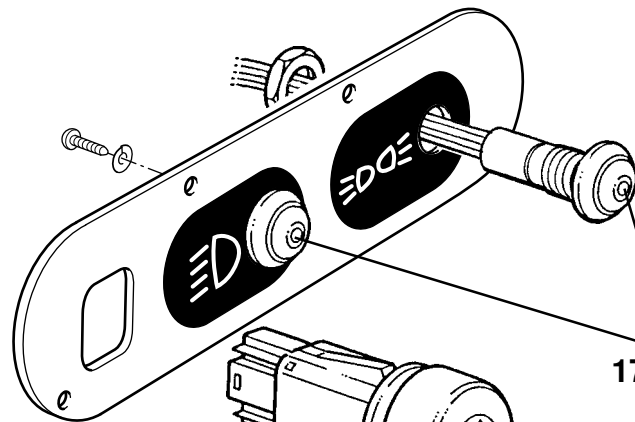
17.05.21



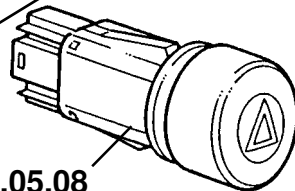
17.05.20



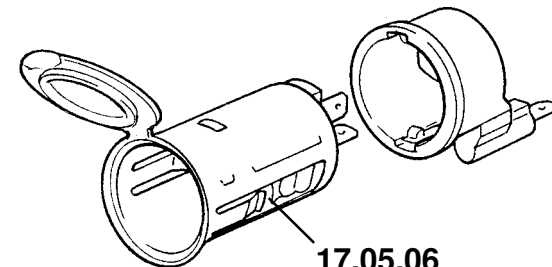
17.05.01



17.05.08



17.05.06



ELEVEN

17.05

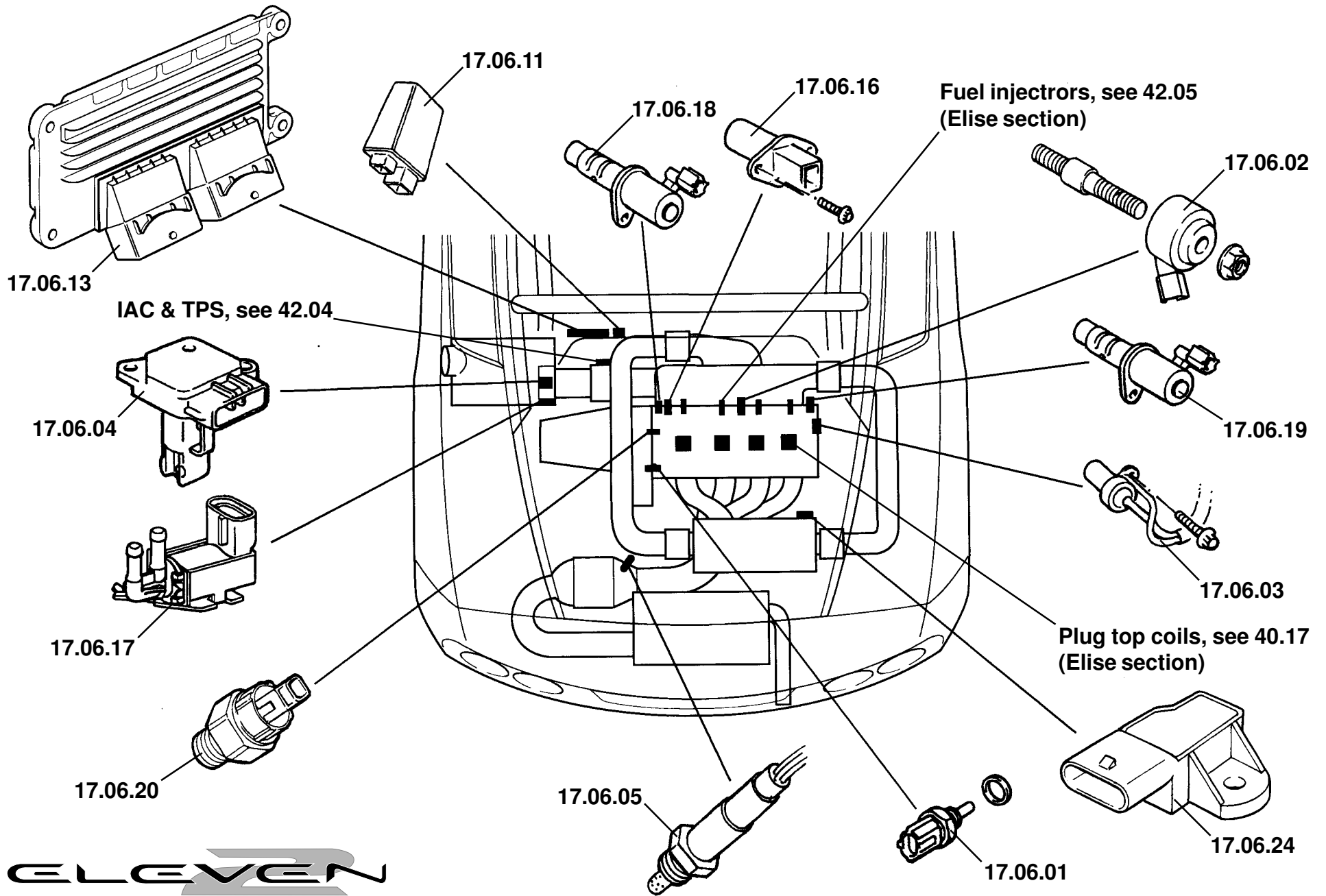


LOTUS 2-ELEVEN STANDARD LABOUR TIMES.

Function Area: 17.00 Electrical

Function Code: 17.05 Interior Switches, Auxiliary Power Socket

Operation Code	Description	Op Type	Hours	Derivative
17.05.01-01	Fascia switches (any)	r&r	0.2	
17.05.01-02	Fascia switches (any)	Renew	0.2	
17.05.02-01	Indicators/dipswitch	r&r	0.4	
17.05.02-02	Indicators/dipswitch	Renew	0.4	
17.05.06-01	Auxiliary power socket	r&r	0.1	
17.05.06-02	Auxiliary power socket	Renew	0.2	
17.05.07-01	Ignition switch (not illustrated)	r&r	1.0	
17.05.07-02	Ignition switch (not illustrated)	Renew	1.0	
17.05.08-01	Hazard light switch	r&r	0.1	
17.05.08-02	Hazard light switch	Renew	0.1	
17.05.20-01	Switch, engine start	r&r	0.2	
17.05.20-02	Switch, engine start	Renew	0.2	
17.05.21-01	Switch, variable traction control	r&r	0.2	
17.05.21-02	Switch, variable traction control	Renew	0.2	



ELEVEN

17.06

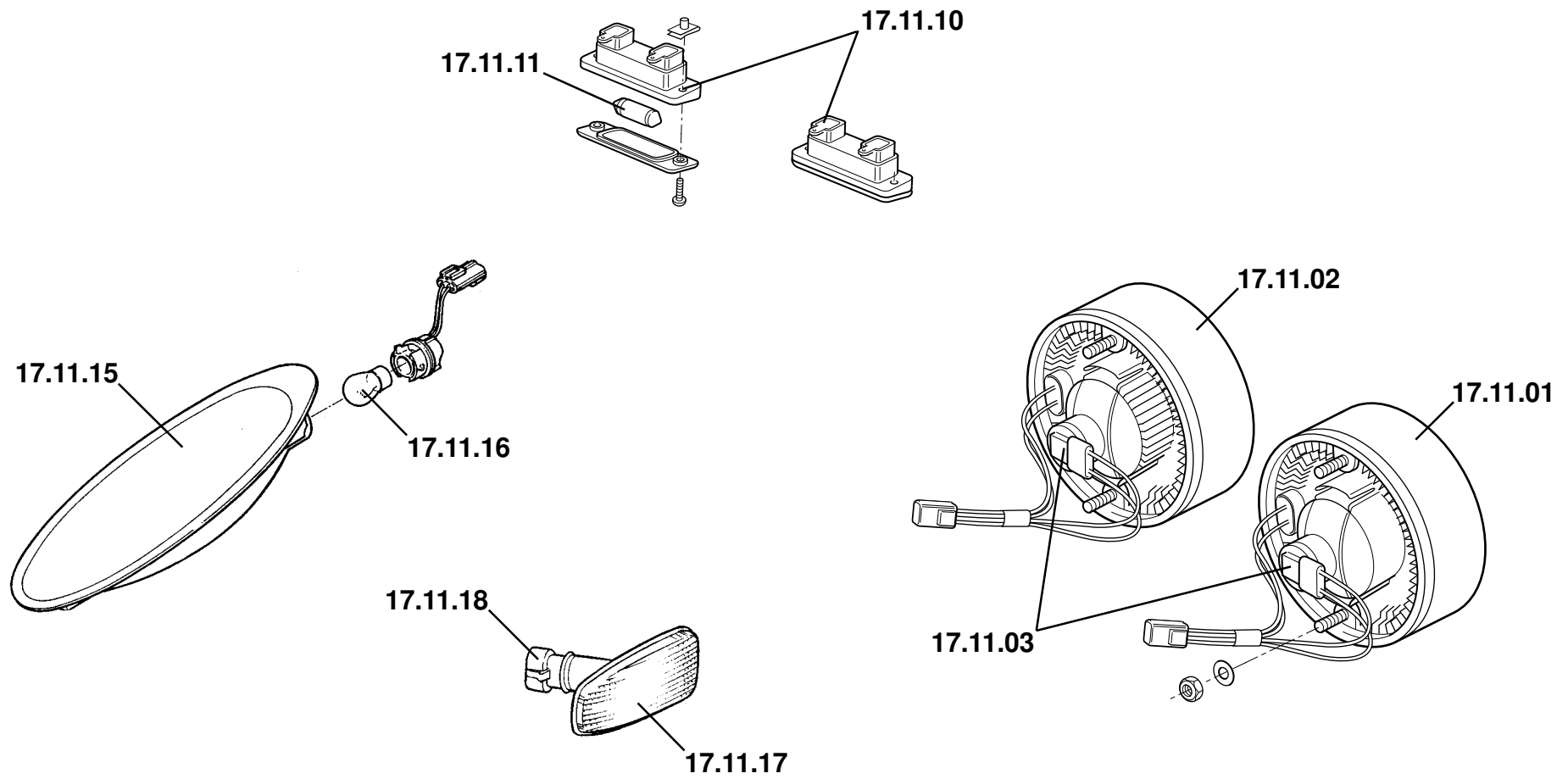


LOTUS 2-ELEVEN STANDARD LABOUR TIMES.

Function Area: 17.00 Electrical

Function Code: 17.06 Engine Management & Sensors

Operation Code	Description	Op Type	Hours	Derivative
17.06.01-02	Engine coolant temperature sensor	Renew	0.3	
17.06.02-02	Sensor, knock control	Renew	1.0	
17.06.03-02	Crankshaft position sensor	Renew	0.5	
17.06.04-02	Mass airflow meter	Renew	0.5	
17.06.05-02	Oxygen sensor (O2 sensor) pre-cat	Renew	0.4	
17.06.06-02	Oxygen sensor (O2 sensor) post-cat (not illustrated, if fitted)	Renew	0.4	
17.06.11-02	Multi Function Relay Unit	Renew	0.4	
17.06.13-01	Electronic Control Module (ECM) T4E	r&r	0.3	
17.06.13-02	Electronic Control Module (ECM) T4E	Renew	0.3	
17.06.16-02	Camshaft position sensor	Renew	0.3	
17.06.17-02	Airbox vacuum valve	Renew	0.5	
17.06.18-02	Oil control valve, variable valve lift	Renew	0.4	
17.06.19-02	Oil control valve, variable valve timing	Renew	0.4	
17.06.20-02	Oil pressure sensor (VVTL)	Renew	0.4	
17.06.21-00	Check/reset fault codes and or MIL light + Diagnostic print	Test/reset	0.2	
17.06.24-02	T Map Sensor (on chargecooler)	Renew	0.3	
17.06.25-02	One way valve, flap valve vacuum hose (not illustrated)	Renew	0.3	



ELEVEN

17.11

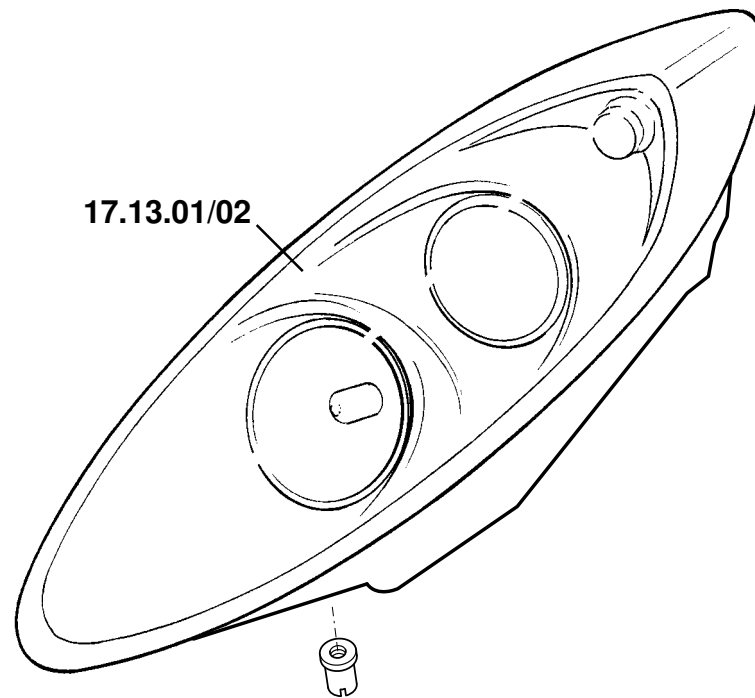


LOTUS 2-ELEVEN STANDARD LABOUR TIMES.

Function Area: 17.00 Electrical

Function Code: 17.11 Exterior Lamps, Except Headlamps

Operation Code	Description	Op Type	Hours	Derivative
17.11.01-02	Lamp, outer, tail, turn, stop/tail, LED (each)	Renew	0.2	
17.11.02-02	Lamp, inner, tail, rear fog, reverse, LED (each)	Renew	0.2	
17.11.03-02	Bulb, indicator or reverse	Renew	0.1	
17.11.10-02	Lamp, license plate	Renew	0.2	
17.11.11-02	Bulb, license plate	Renew	0.1	
17.11.15-02	Lamp, front direction indicator (inc. clamshell removal)	Renew	1.5	
17.11.16-02	Bulb, direction indicator, front	Renew	0.2	
17.11.17-02	Lamp, side repeater	Renew	0.2	
17.11.18-02	Bulb, side repeater	Renew	0.2	



17.13.01/02

ELEVEN

17.13

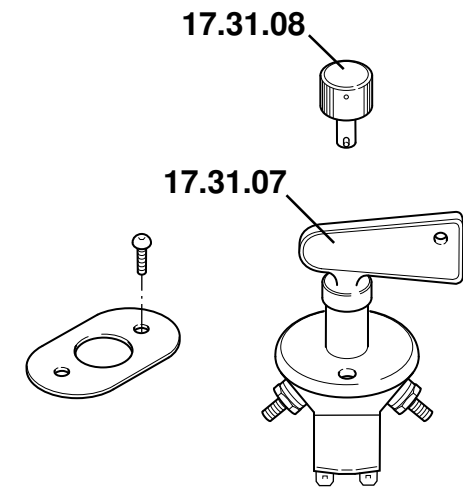
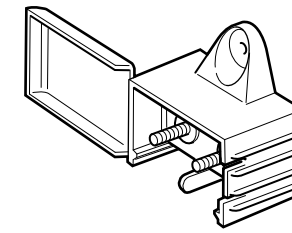
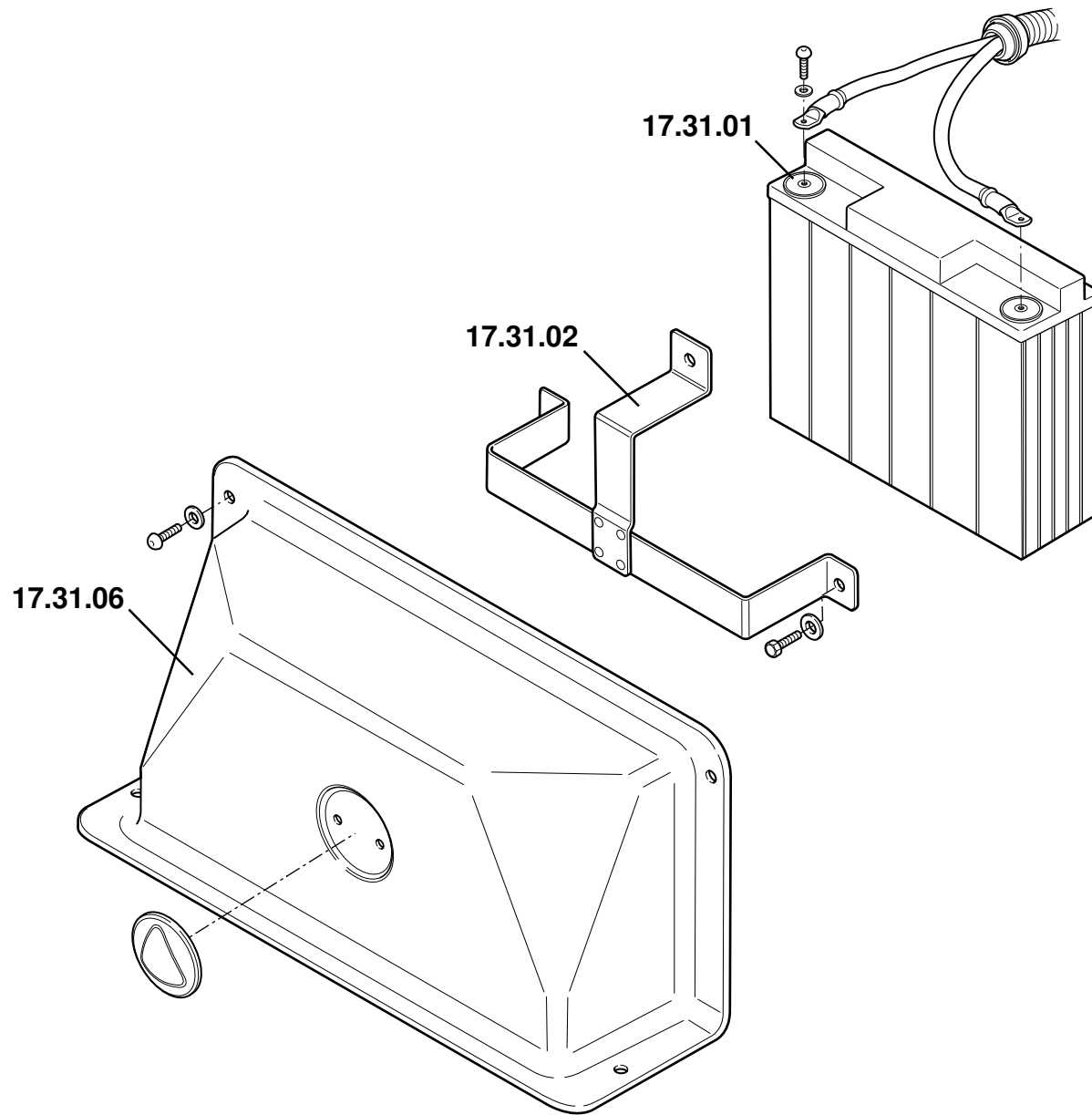


LOTUS 2-ELEVEN STANDARD LABOUR TIMES.

Function Area: 17.00 Electrical

Function Code: 17.13 Headlamps

Operation Code	Description	Op Type	Hours	Derivative
17.13.01-00	Headlamp assy, LH	Adjust	0.2	
17.13.01-01	Headlamp assy, LH	r&r	0.4	
17.13.01-02	Headlamp assy, LH	Renew	0.4	
17.13.02-00	Headlamp assy, RH	Adjust	0.2	
17.13.02-01	Headlamp assy, RH	r&r	0.4	
17.13.02-02	Headlamp assy, RH	Renew	0.4	
17.13.03-02	Bulb, sidelamp (not illustrated)	Renew	0.2	
17.13.04-02	Bulb, main beam (not illustrated)	Renew	0.2	
17.13.05-02	Bulb, dipped beam (not illustrated)	Renew	0.2	



ELEVEN
17.31

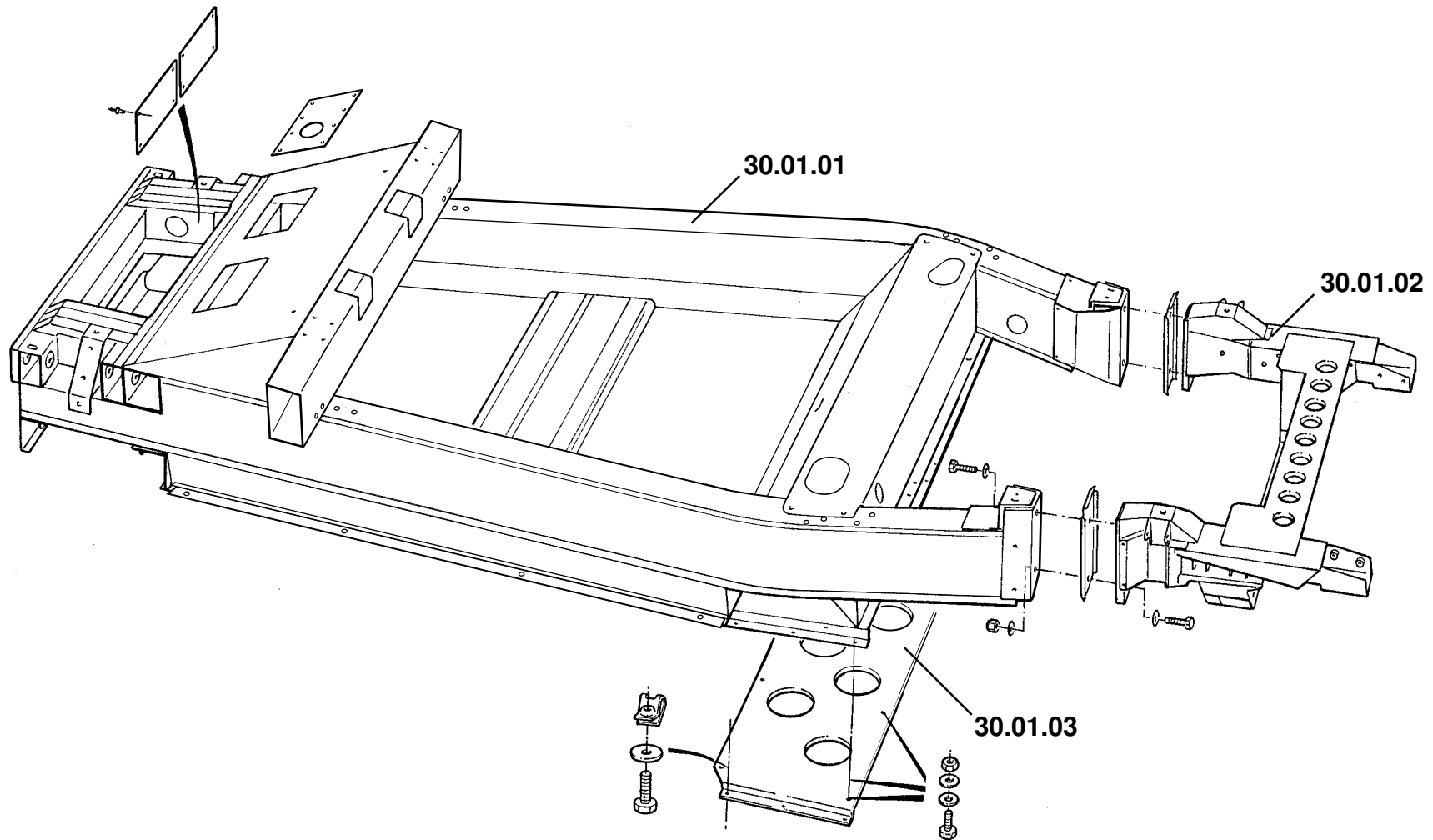


LOTUS 2-ELEVEN STANDARD LABOUR TIMES.

Function Area: 17.00 Electrical

Function Code: 17.31 Battery, Clamps, & Cables

Operation Code	Description	Op Type	Hours	Derivative
17.31.01-01	Battery	r&r	0.4	
17.31.01-02	Battery	Renew	0.4	
17.31.02-01	Bracket, battery retention	r&r	0.1	
17.31.02-02	Bracket, battery retention	Renew	0.1	
17.31.06-01	Cover, battery	r&r	0.2	
17.31.06-02	Cover, battery	Renew	0.2	
17.31.07-02	Switch, battery master	Renew	0.2	
17.31.08-02	Knob, knurled, isolator switch	Renew	0.1	



ELEVEN

30.01

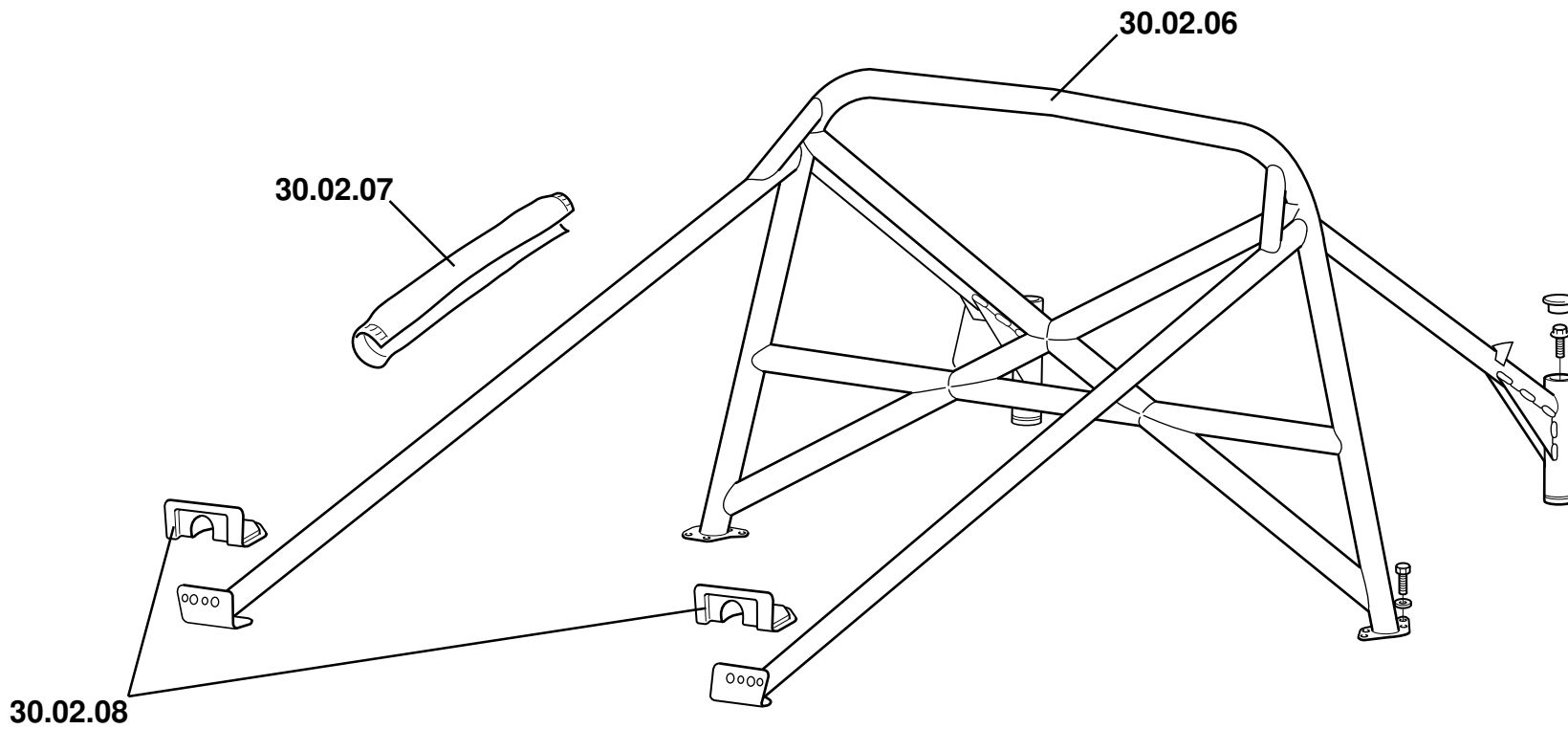


LOTUS 2-ELEVEN STANDARD LABOUR TIMES.

Function Area: 30.00 Chassis

Function Code: 30.01 Chassis, Subframes

Operation Code	Description	Op Type	Hours	Derivative
30.01.01-02	Chassis	Renew	60.5	
30.01.02-01	Subframe	r&r	3.0	
30.01.02-02	Subframe	Renew	3.0	
30.01.03-01	Shear panel, fuel tank bay closing panel	r&r	0.4	
30.01.03-02	Shear panel, fuel tank bay closing panel	Renew	0.4	
30.01.99-99	Note: Time for resetting steering/suspension geometry included			



ELEVEN

30.02

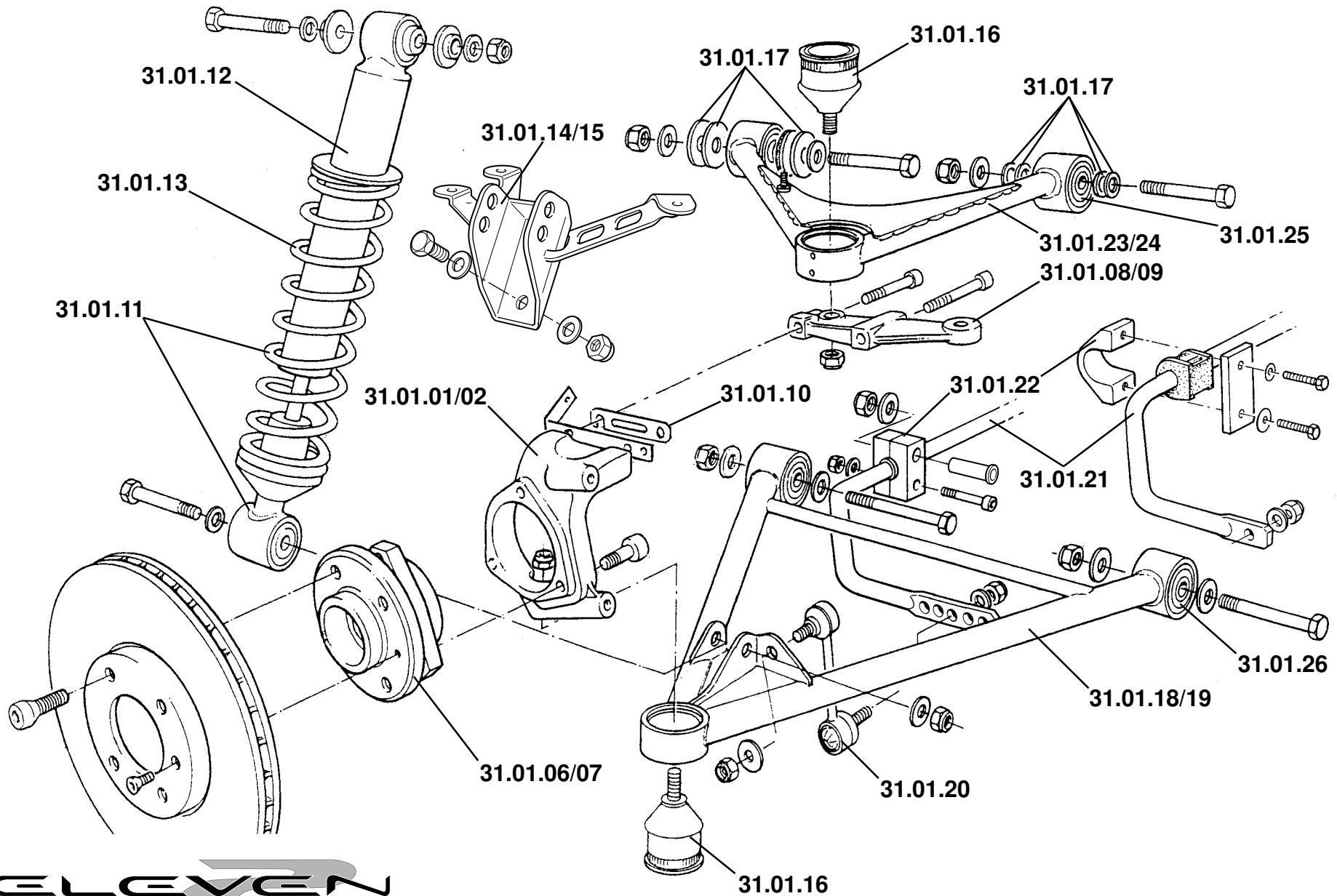


LOTUS 2-ELEVEN STANDARD LABOUR TIMES.

Function Area: 30.00 Chassis

Function Code: 30.02 Roll Cage, FIA Compliant

Operation Code	Description	Op Type	Hours	Derivative
30.02.06-01	Roll cage, FIA compliant	r&r	5.0	
30.02.06-02	Roll cage, FIA compliant	Renew	5.0	
30.02.07-02	Trim, roll cage	Renew	0.1	
30.02.08-02	Cover, roll cage foot, front, bonded (each)	Renew	0.3	



ELEVEN

31.01

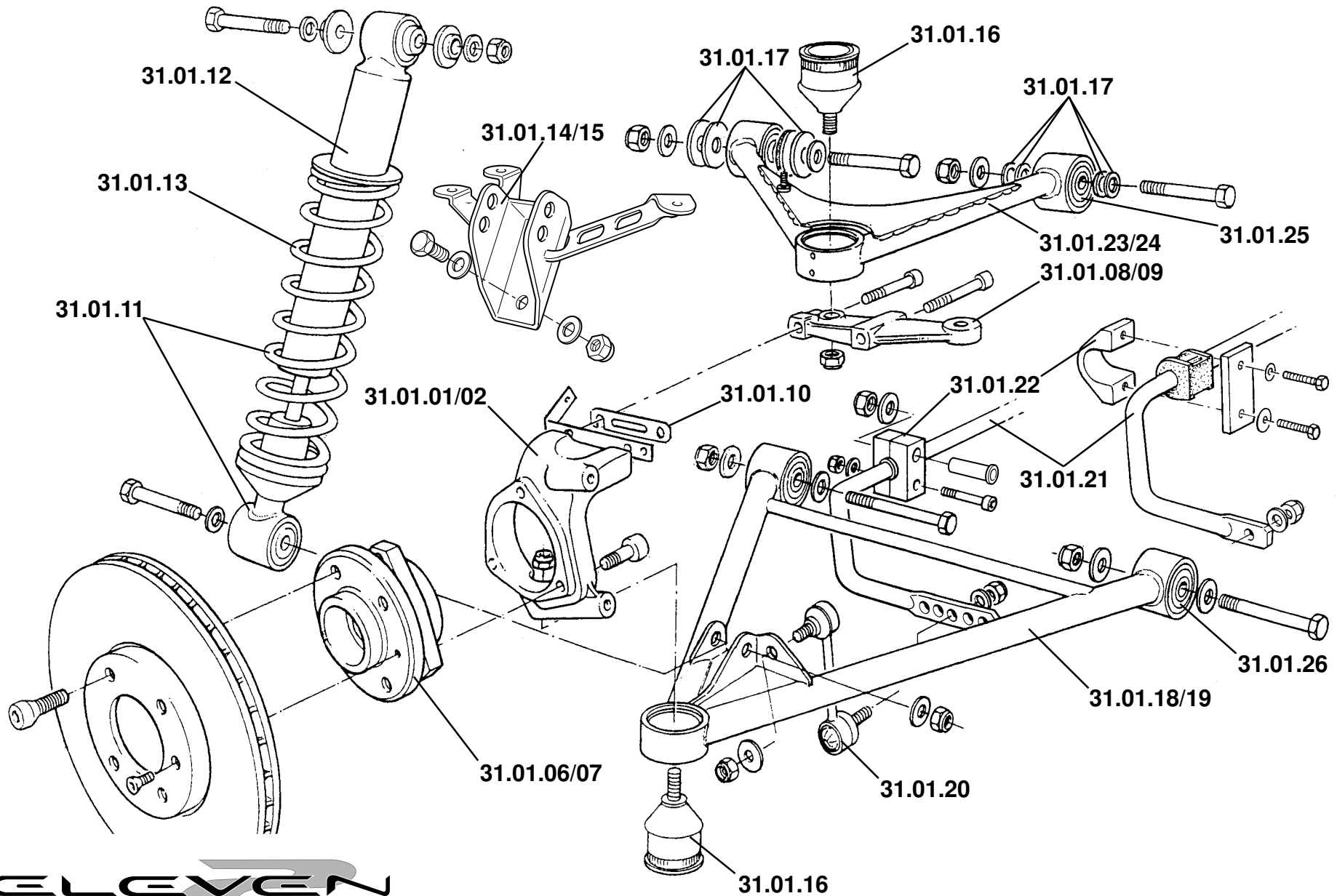


LOTUS 2-ELEVEN STANDARD LABOUR TIMES.

Function Area: 31.00 Suspension

Function Code: 31.01 Front Suspension, Incl. Hubs

Operation Code	Description	Op Type	Hours	Derivative
31.01.01-01	Hub carrier, LH	r&r	1.4	
31.01.01-02	Hub carrier, LH	Renew	1.4	
31.01.02-01	Hub carrier, RH	r&r	1.4	
31.01.02-02	Hub carrier, RH	Renew	1.4	
31.01.06-01	Wheel hub/bearing assy., LH (Includes ABS diagnostic time)	r&r	1.4	
31.01.06-02	Wheel hub/bearing assy., LH (Includes ABS diagnostic time)	Renew	1.4	
31.01.07-01	Wheel hub/bearing assy., RH (Includes ABS diagnostic time)	r&r	1.4	
31.01.07-02	Wheel hub/bearing assy., RH (Includes ABS diagnostic time)	Renew	1.4	
31.01.08-01	Steering arm, LH	r&r	0.7	
31.01.08-02	Steering arm, LH	Renew	0.7	
31.01.09-01	Steering arm, RH	r&r	0.7	
31.01.09-02	Steering arm, RH	Renew	0.7	
31.01.10-00	Shim, camber adjustment	Adjust	1.0	
31.01.11-01	Spring/damper assembly	r&r	0.6	
31.01.11-02	Spring/damper assembly	Renew	0.6	
31.01.12-01	Damper	r&r	0.6	
31.01.12-02	Damper	Renew	0.6	
31.01.13-02	Road spring	Renew	0.6	
31.01.14-02	Bracket damper, top, LH	Renew	0.6	
31.01.15-02	Bracket damper, top RH	Renew	0.6	
31.01.16-02	Ball joint assembly	Renew	1.0	
31.01.17-00	Shim castor adjustment	Adjust	1.0	
31.01.18-01	Wishbone assembly, lower, LH	r&r	0.9	
31.01.18-02	Wishbone assembly, lower, LH	Renew	0.9	
31.01.19-01	Wishbone assembly, lower, RH	r&r	0.9	



ELEVEN

31.01

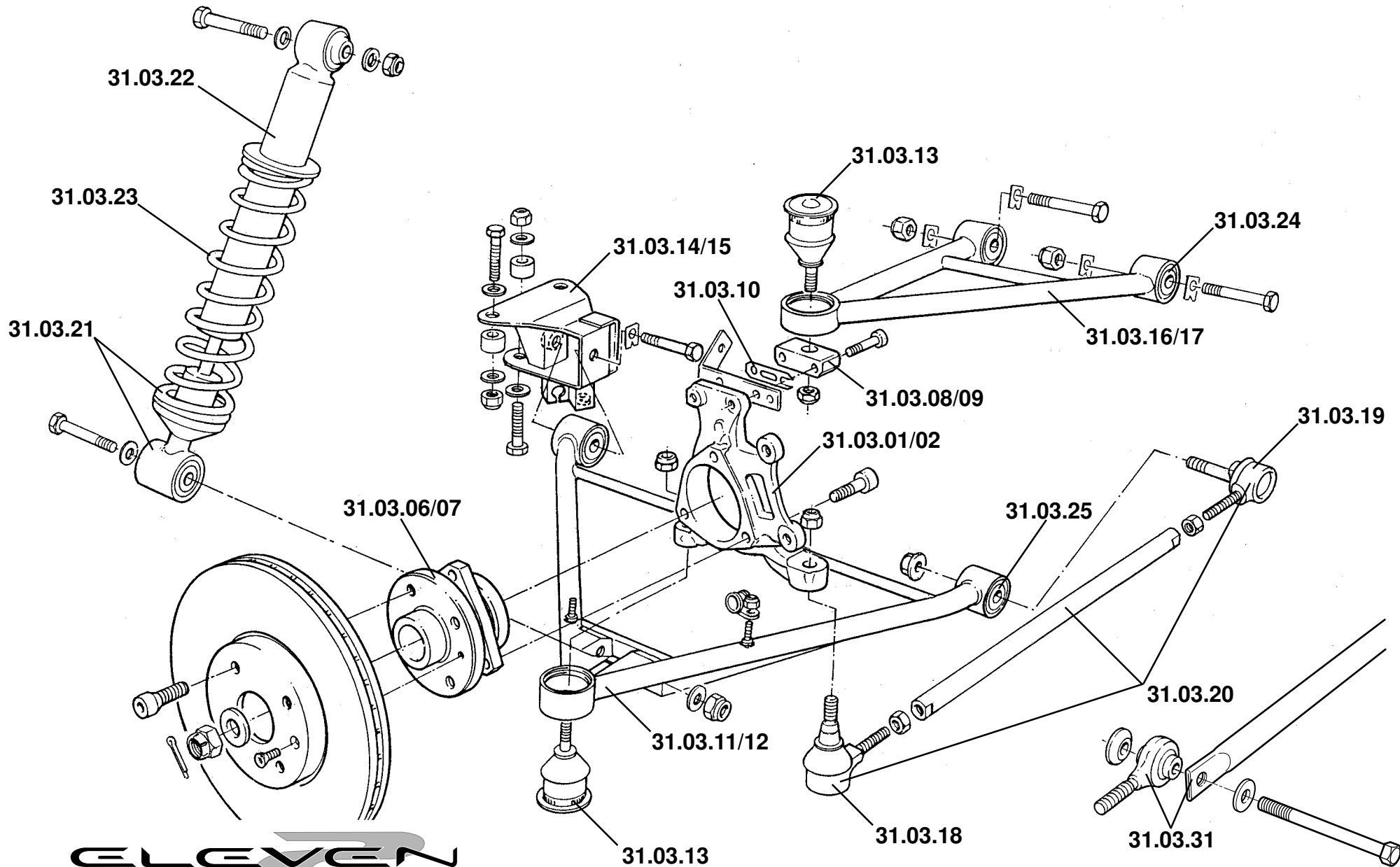


LOTUS 2-ELEVEN STANDARD LABOUR TIMES.

Function Area: 31.00 Suspension

Function Code: 31.01 Front Suspension, Incl. Hubs

Operation Code	Description	Op Type	Hours	Derivative
31.01.19-02	Wishbone assembly, lower, RH	Renew	0.9	
31.01.20-02	Anti-Roll bar drop link (each)	Renew	0.3	
31.01.21-01	Anti-Roll bar	r&r	0.8	
31.01.21-02	Anti-Roll bar	Renew	0.8	
31.01.22-01	Anti-Roll Bar clamp (one or both)	r&r	0.4	
31.01.22-02	Anti-Roll Bar clamp (one or both)	Renew	0.4	
31.01.23-01	Wishbone assembly, upper, LH	r&r	0.9	
31.01.23-02	Wishbone assembly, upper, LH	Renew	0.9	
31.01.24-01	Wishbone assembly, upper, RH	r&r	0.9	
31.01.24-02	Wishbone assembly, upper, RH	Renew	0.9	
31.01.25-02	Bush wishbone assembly upper	Renew	1.5	
31.01.26-02	Bush wishbone assembly lower	Renew	1.5	



ELEVEN

31.03



LOTUS 2-ELEVEN STANDARD LABOUR TIMES.

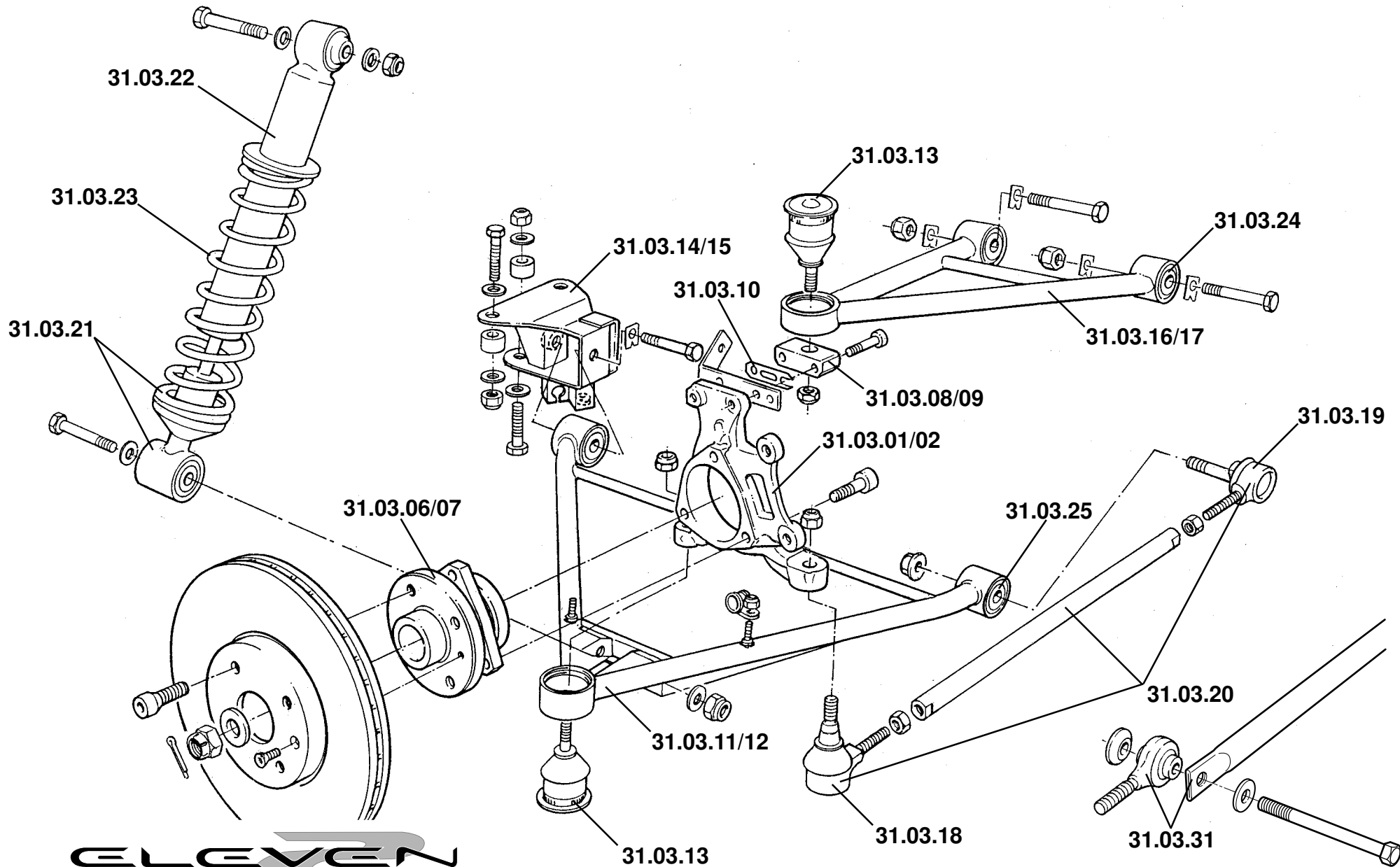
Function Area: 31.00 Suspension

Function Code: 31.03 Rear Suspension, Incl. Hubs

Operation Code	Description	Op Type	Hours	Derivative
31.03.01-01	Hub carrier, LH	r&r	1.6	
31.03.01-02	Hub carrier, LH	Renew	1.6	
31.03.02-01	Hub carrier, RH	r&r	1.6	
31.03.02-02	Hub carrier, RH	Renew	1.6	
31.03.06-01	Wheel hub/bearing assy., LH. (ABS diagnostic time included)	r&r	1.6	
31.03.06-02	Wheel hub/bearing assy., LH. (ABS diagnostic time included)	Renew	1.6	
31.03.07-01	Wheel hub/bearing assy., RH. (ABS diagnostic time included)	r&r	1.6	
31.03.07-02	Wheel hub/bearing assy., RH. (ABS diagnostic time included)	Renew	1.6	
31.03.08-01	Ball joint carrier, upper, LH	r&r	0.3	
31.03.08-02	Ball joint carrier, upper, LH	Renew	0.3	
31.03.09-01	Ball joint carrier, upper, RH	r&r	0.3	
31.03.09-02	Ball joint carrier, upper, RH	Renew	0.3	
31.03.10-00	Shim, camber adjustment	Adjust	0.2	
31.03.11-01	Wishbone assembly, lower, LH	r&r	0.9	
31.03.11-02	Wishbone assembly, lower, LH	Renew	0.9	
31.03.12-01	Wishbone assembly, lower, RH	r&r	0.9	
31.03.12-02	Wishbone assembly, lower, RH	Renew	0.9	
31.03.13-02	Ball joint, LH or RH	Renew	1.0	
31.03.14-02	Pivot bracket, wishbone to chassis, LH	Renew	0.6	
31.03.15-02	Pivot bracket, wishbone to chassis, RH	Renew	0.6	
31.03.16-01	Wishbone assembly, upper, LH	r&r	0.9	
31.03.16-02	Wishbone assembly, upper, LH	Renew	0.9	
31.03.17-01	Wishbone assembly, upper, RH	r&r	0.9	
31.03.17-02	Wishbone assembly, upper, RH	Renew	0.9	
31.03.18-02	Ball joint, track control arm, outer	Renew	0.6	

Function Code: 31.03, Page: 1

2009/01



ELEVEN

31.03

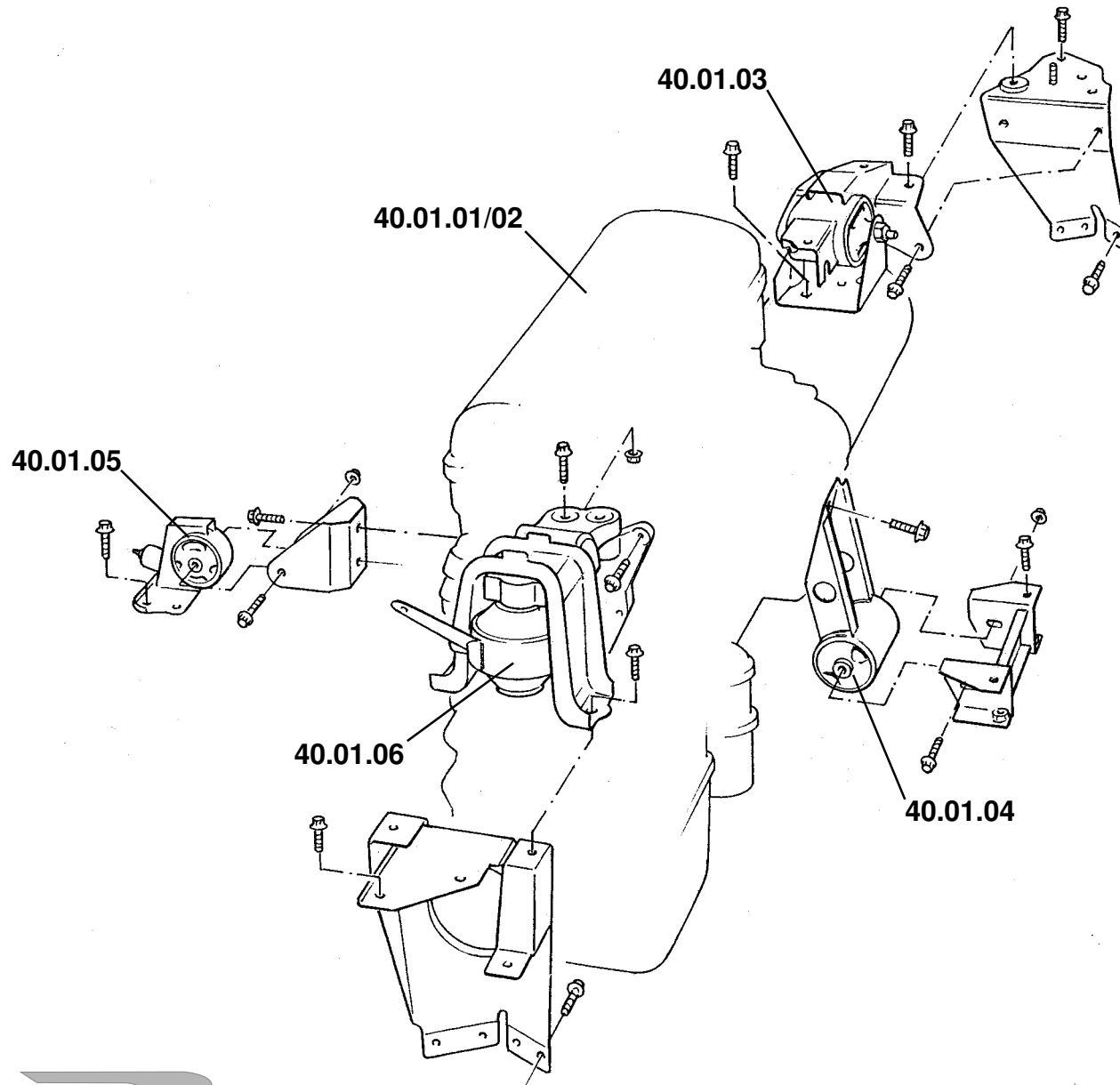


LOTUS 2-ELEVEN STANDARD LABOUR TIMES.

Function Area: 31.00 Suspension

Function Code: 31.03 Rear Suspension, Incl. Hubs

Operation Code	Description	Op Type	Hours	Derivative
31.03.19-02	Ball joint, track control arm, inner	Renew	0.6	
31.03.20-01	Track control arm assembly	r&r	1.0	
31.03.20-02	Track control arm assembly	Renew	1.0	
31.03.21-01	Spring/damper assembly	r&r	0.4	
31.03.21-02	Spring/damper assembly	Renew	0.4	
31.03.22-02	Damper	Renew	0.6	
31.03.23-02	Road spring	Renew	0.6	
31.03.24-02	Bush, upper wishbone	Renew	1.5	
31.03.25-02	Bush, lower wishbone	Renew	1.5	
31.03.26-00	Check & adjust rear geometry	Check	1.0	
31.03.31-01	Crossbrace, track control arms	r&r	1.0	
31.03.31-02	Crossbrace, track control arms	Renew	1.0	



ELEVEN

40.01

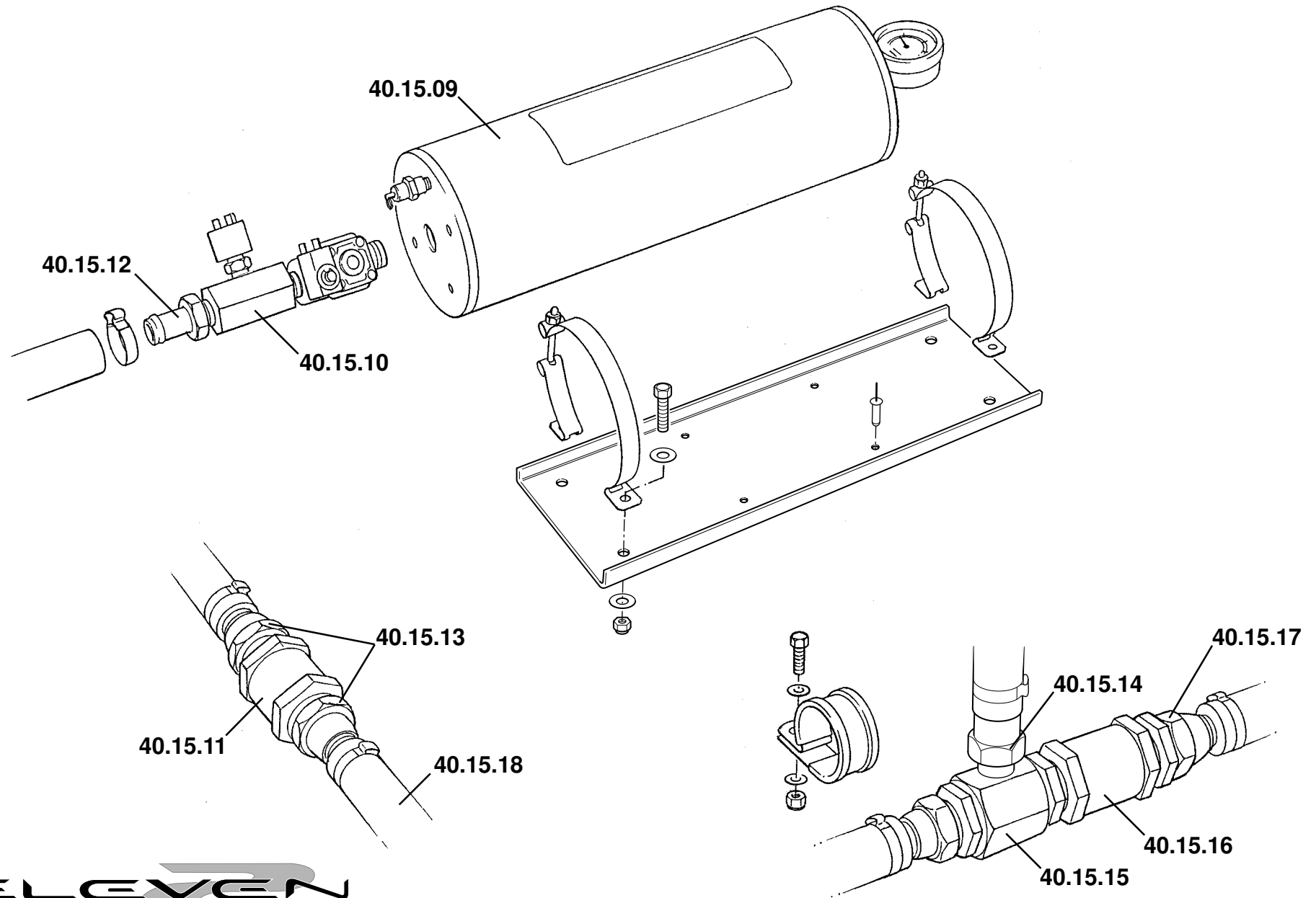


LOTUS 2-ELEVEN STANDARD LABOUR TIMES.

Function Area: 40.00 Engine

Function Code: 40.01 Engine Assemblies & Mounts

Operation Code	Description	Op Type	Hours	Derivative
40.01.01-01	Engine/transmission assembly	r&r	10.0	
40.01.02-02	Engine & ancillaries	Renew	13.0	
40.01.03-01	Engine mounting, end of gearbox	r&r	1.0	
40.01.03-02	Engine mounting, end of gearbox	Renew	1.0	
40.01.04-01	Engine mounting, chassis	r&r	0.6	
40.01.04-02	Engine mounting, chassis	Renew	0.6	
40.01.05-01	Engine mounting, rear of subframe	r&r	0.6	
40.01.05-02	Engine mounting, rear of subframe	Renew	0.6	
40.01.06-01	Engine mounting, timing cover	r&r	0.6	
40.01.06-02	Engine mounting, timing cover	Renew	0.6	



ELEVEN
40.15



LOTUS 2-ELEVEN STANDARD LABOUR TIMES.

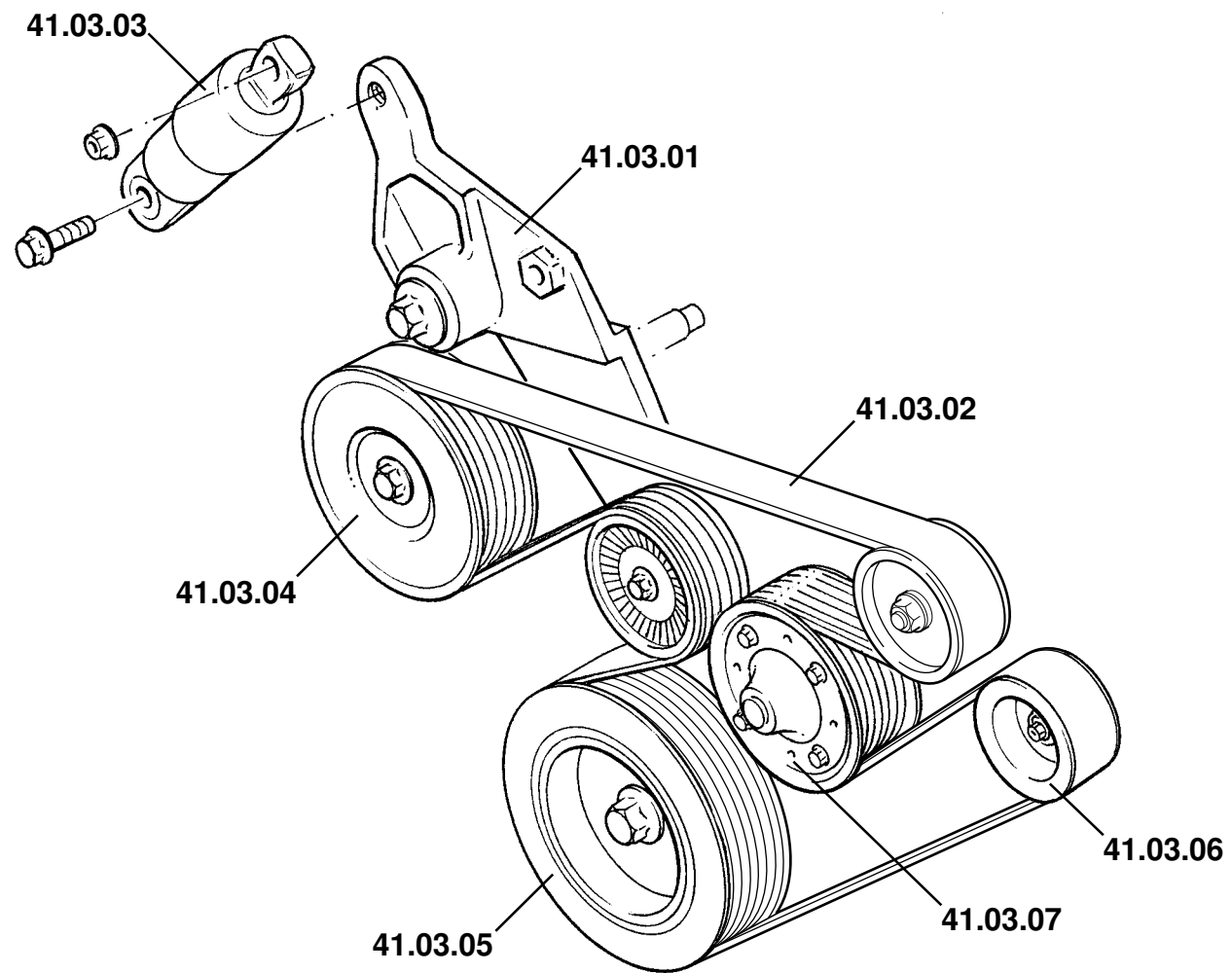
Function Area: 40.00 Engine

Function Code: 40.15 Accusump, Hoses & Fittings

Operation Code	Description	Op Type	Hours	Derivative
40.15.09-01	Accusump	r&r	0.5	
40.15.09-02	Accusump	Renew	0.5	
40.15.10-01	Valve assembly, EPC, accusump	r&r	0.2	
40.15.10-02	Valve assembly, EPC, accusump	Renew	0.2	
40.15.11-02	Oil filter, in line	Renew	0.2	
40.15.12-01	Connector, accusump, 10 JIC, for 1/2" hose	r&r	0.2	
40.15.12-02	Connector, accusump, 10 JIC, for 1/2" hose	Renew	0.2	
40.15.13-01	Connector, oil filter, -8 to 1/2" hose	r&r	0.2	
40.15.13-02	Connector, oil filter, -8 to 1/2" hose	Renew	0.2	
40.15.14-01	Connector, accusump, 1/2" NTP for 1/2" hose	r&r	0.2	
40.15.14-02	Connector, accusump, 1/2" NTP for 1/2" hose	Renew	0.2	
40.15.15-02	Connector, accusump 'T' piece	Renew	0.2	
40.15.16-01	Connector, accusump one-way valve	r&r	0.2	
40.15.16-02	Connector, accusump one-way valve	Renew	0.2	
40.15.17-01	Connector, accusump, 10 JIC, for 5/8" hose	r&r	0.2	
40.15.17-02	Connector, accusump, 10 JIC, for 5/8" hose	Renew	0.2	
40.15.18-02	Hose, accusump, 1/2" ID, low pressure, black	Renew	0.2	

Function Code: 40.15, Page: 1

2009/01



ELEVEN

41.03

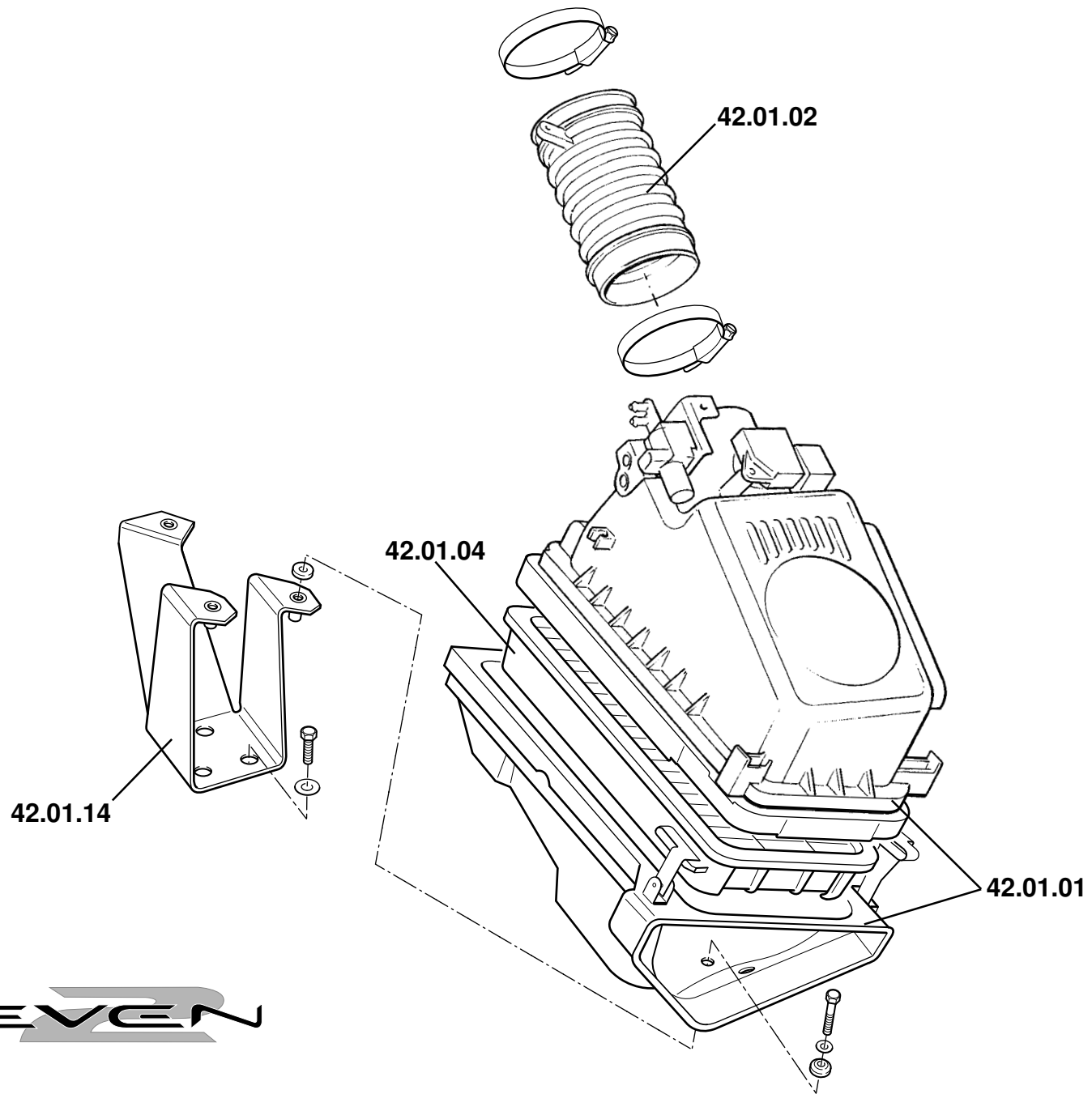


LOTUS 2-ELEVEN STANDARD LABOUR TIMES.

Function Area: 41.00 Belts and Pulleys

Function Code: 41.03 Auxiliary Drive Belts & Pulleys

Operation Code	Description	Op Type	Hours	Derivative
41.03.01-01	Pulley/arm assembly,belt tensioner (includes belt r&r or renew)	r&r	0.6	
41.03.01-02	Pulley/arm assembly,belt tensioner (includes belt r&r or renew)	Renew	0.6	
41.03.02-02	Drive belt, ancillaries + supercharger, without AC	Renew	0.5	
41.03.03-01	Spring belt tensioner	r&r	0.2	
41.03.03-02	Spring belt tensioner	Renew	0.2	
41.03.04-01	Idler assembly	r&r	0.5	
41.03.04-02	Idler assembly	Renew	0.5	
41.03.05-01	Pulley, crankshaft	r&r	0.5	
41.03.05-02	Pulley, crankshaft	Renew	0.5	
41.03.06-02	Pulley, alternator	Renew	0.5	
41.03.07-02	Pulley, water pump	Renew	0.5	



ELEVEN

42.01

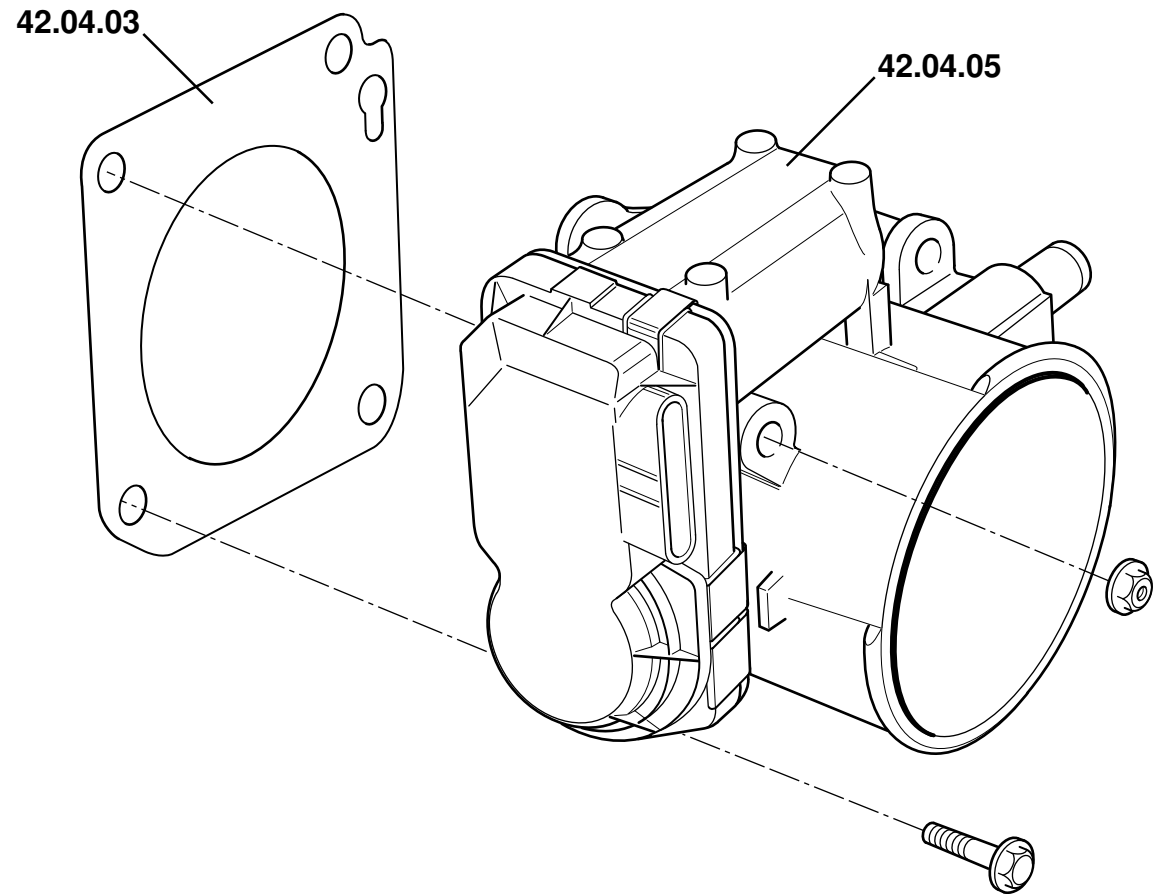


LOTUS 2-ELEVEN STANDARD LABOUR TIMES.

Function Area: 42.00 Induction Systems

Function Code: 42.01 Airboxes, Trunking & Air Filters

Operation Code	Description	Op Type	Hours	Derivative
42.01.01-01	Airbox	r&r	0.5	
42.01.01-02	Airbox	Renew	0.5	
42.01.02-01	Hose, airbox to throttle body	r&r	0.2	
42.01.02-02	Hose, airbox to throttle body	Renew	0.2	
42.01.04-02	Air filter element	Renew	0.4	
42.01.14-01	Bracket, airbox mounting	r&r	0.7	
42.01.14-02	Bracket, airbox mounting	Renew	0.7	



ELEVEN

42.04

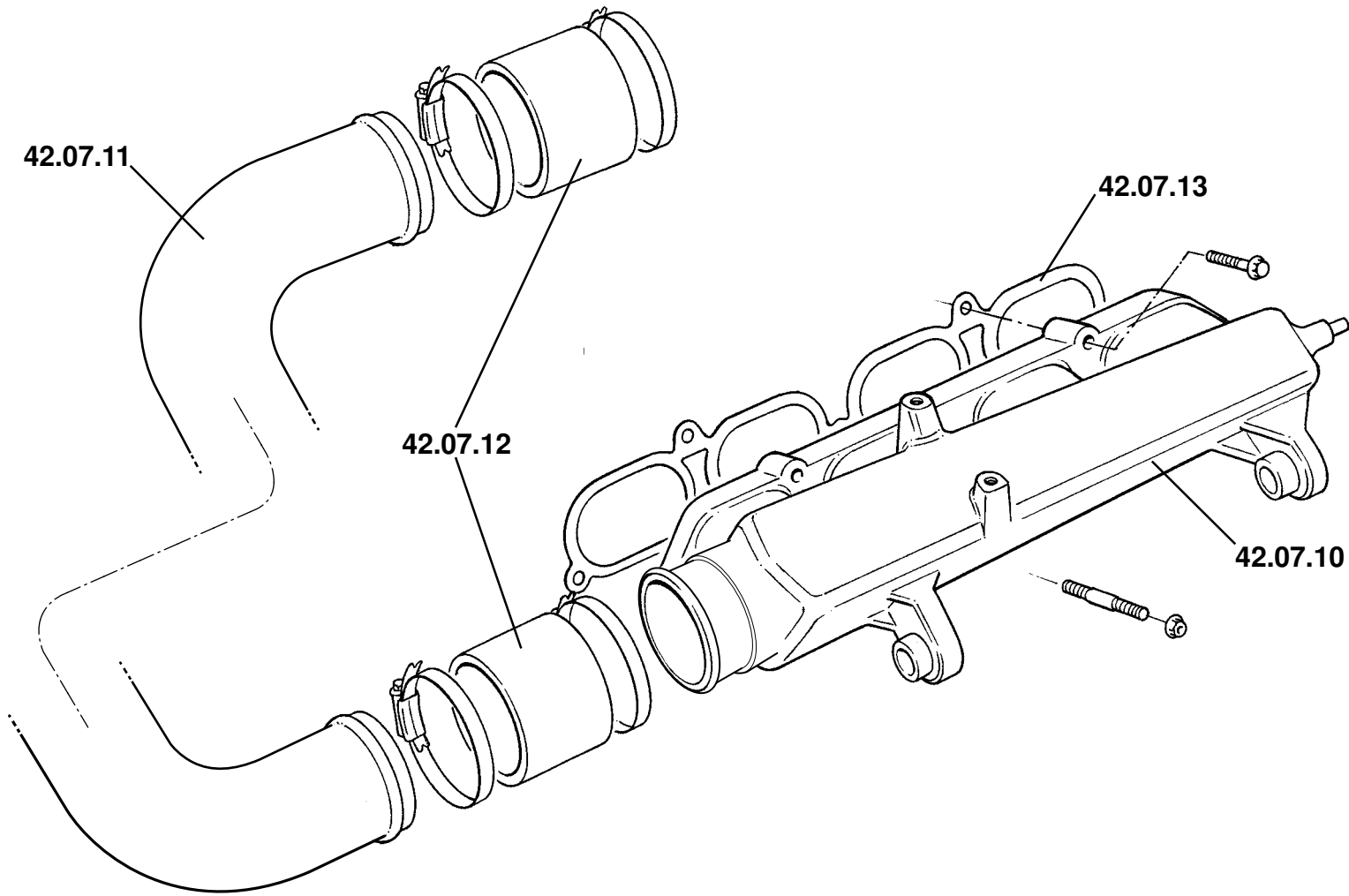


LOTUS 2-ELEVEN STANDARD LABOUR TIMES.

Function Area: 42.00 Induction Systems

Function Code: 42.04 Throttle Body, Mechanism & IAC Valve

Operation Code	Description	Op Type	Hours	Derivative
42.04.03-02	Gasket, throttle body	Renew	0.8	
42.04.05-01	Throttle body, electronic control (includes IAC & TPS)	r&r	1.0	
42.04.05-02	Throttle body, electronic control (includes IAC & TPS)	Renew	1.0	



ELEVEN

42.07

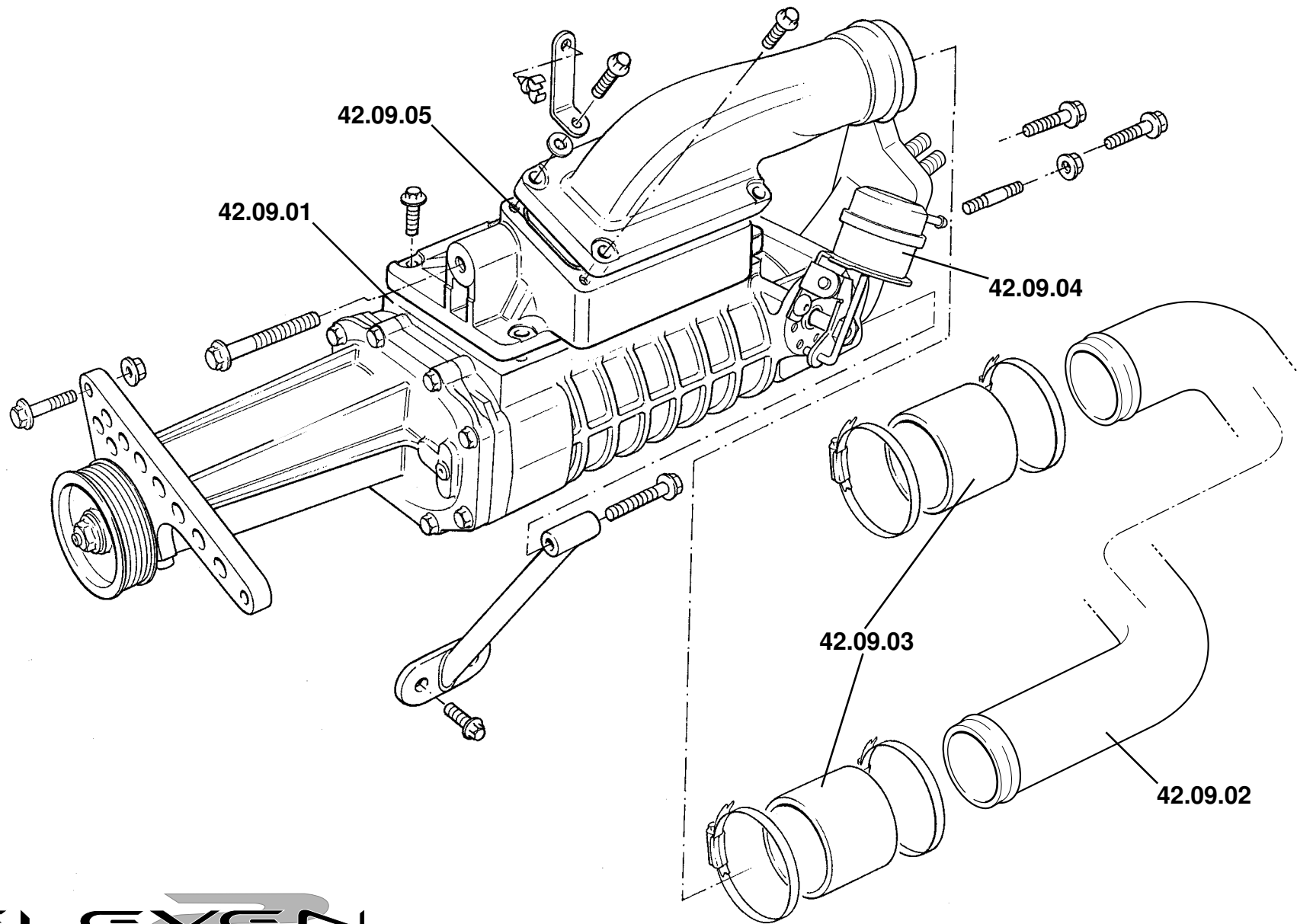


LOTUS 2-ELEVEN STANDARD LABOUR TIMES.

Function Area: 42.00 Induction Systems

Function Code: 42.07 Inlet Manifold, Plenum & gaskets

Operation Code	Description	Op Type	Hours	Derivative
42.07.10-01	Inlet manifold (includes ancillaries removal)	r&r	0.2	
42.07.10-02	Inlet manifold (includes ancillaries removal)	Renew	0.3	
42.07.11-01	Pipe, chargecooler to inlet manifold	r&r	0.2	
42.07.11-02	Pipe, chargecooler to inlet manifold	Renew	0.2	
42.07.12-01	Hose, pipe to chargecooler/manifold	r&r	0.2	
42.07.12-02	Hose, pipe to chargecooler/manifold	Renew	0.2	
42.07.13-02	Gasket, inlet manifold	Renew	0.2	



ELEVEN

42.09

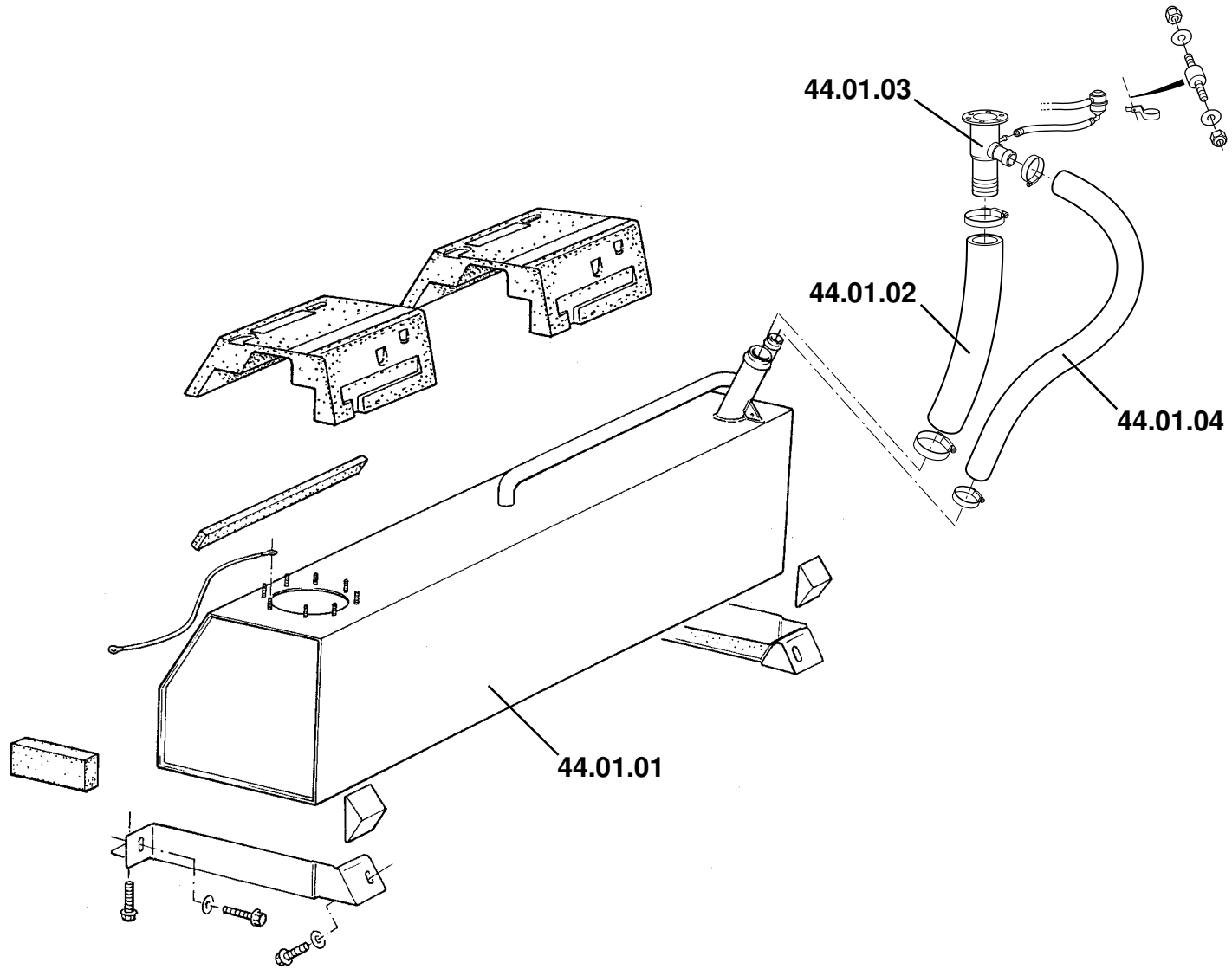


LOTUS 2-ELEVEN STANDARD LABOUR TIMES.

Function Area: 42.00 Induction Systems

Function Code: 42.09 Supercharger

Operation Code	Description	Op Type	Hours	Derivative
42.09.01-01	Supercharger assembly (ancillaries removal)	r&r	3.0	
42.09.01-02	Supercharger assembly (ancillaries removal)	Renew	3.0	
42.09.02-01	Pipe, supercharger to chargecooler	r&r	0.2	
42.09.02-02	Pipe, supercharger to chargecooler	Renew	0.2	
42.09.03-01	Hose, pipe to chargecooler/supercharger	r&r	0.2	
42.09.03-02	Hose, pipe to chargecooler/supercharger	Renew	0.2	
42.09.04-02	Bypass Actuator Valve, vacuum	Renew	0.5	
42.09.05-02	'O' ring (any)	Renew	0.5	



ELEVEN

44.01

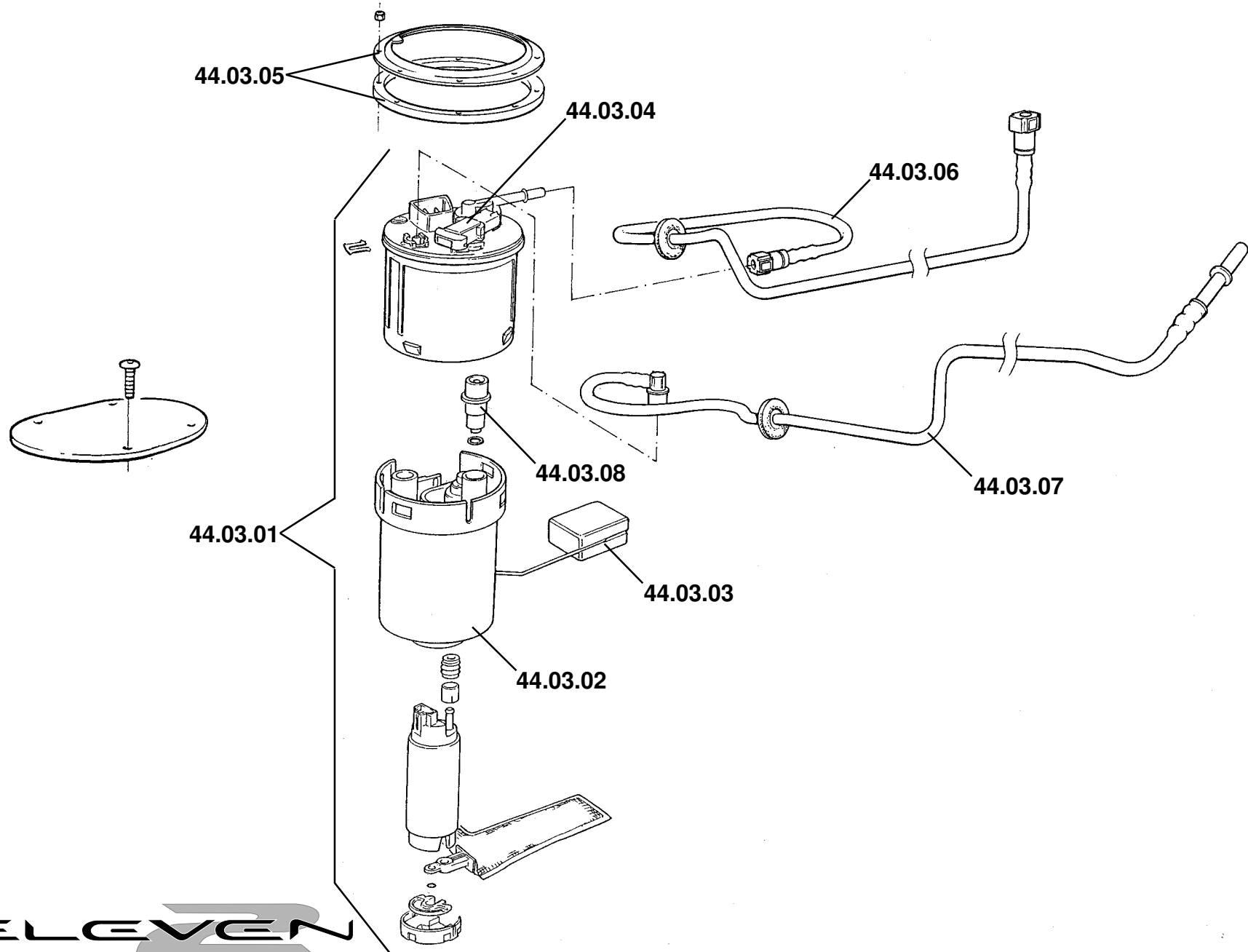


LOTUS 2-ELEVEN STANDARD LABOUR TIMES.

Function Area: 44.00 Fuel System

Function Code: 44.01 Fuel Tanks, Filler

Operation Code	Description	Op Type	Hours	Derivative
44.01.01-01	Fuel tank	r&r	2.5	
44.01.01-02	Fuel tank	Renew	3.0	
44.01.02-01	Hose, fuel filler	r&r	1.0	
44.01.02-02	Hose, fuel filler	Renew	1.0	
44.01.03-01	Filler neck/cap assembly	r&r	0.5	
44.01.03-02	Filler neck/cao assembly	Renew	0.5	
44.01.04-02	Hose, fuel breather	Renew	0.5	



ELEVEN

44.03

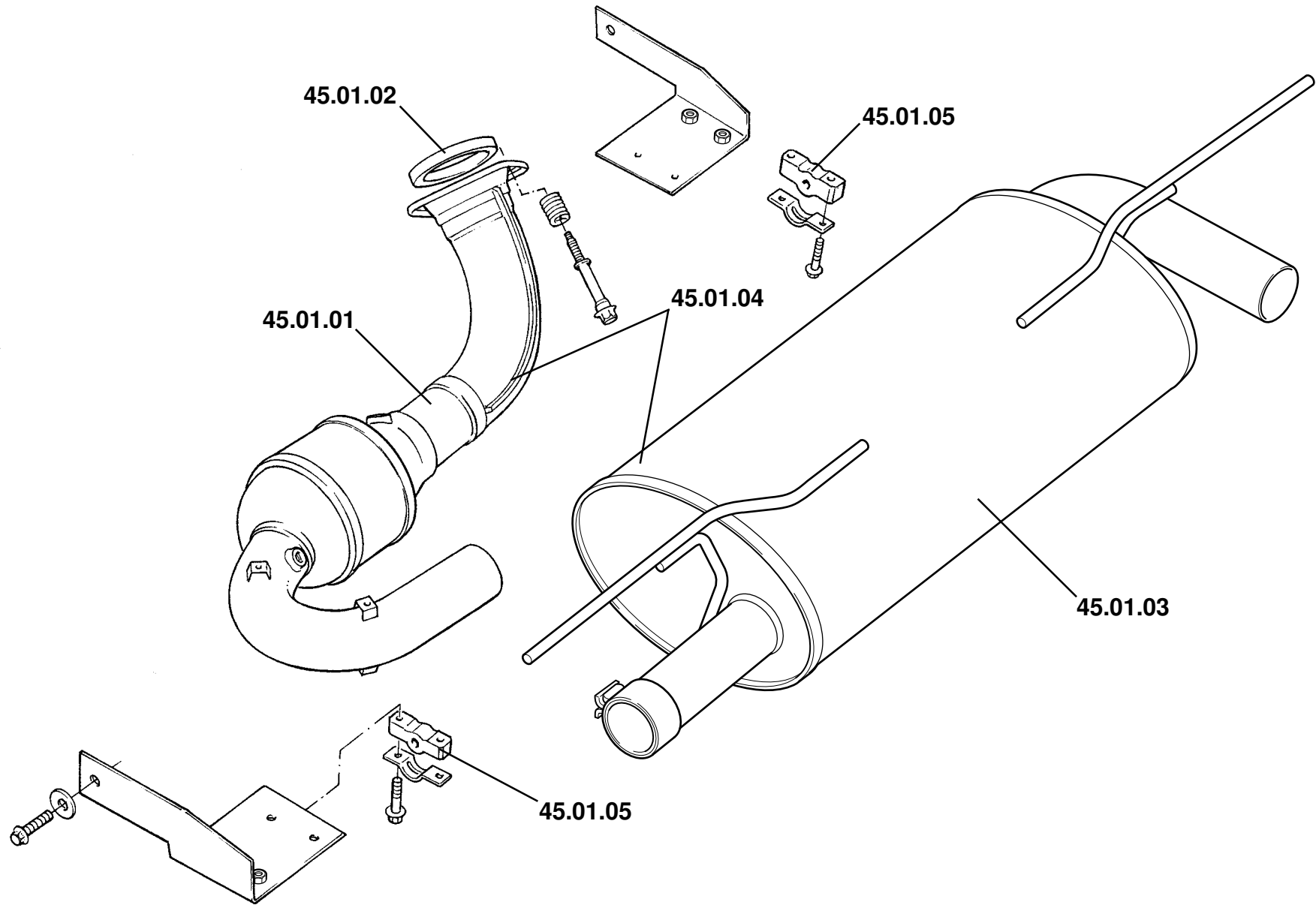


LOTUS 2-ELEVEN STANDARD LABOUR TIMES.

Function Area: 44.00 Fuel System

Function Code: 44.03 Fuel Pump; Filter, Pipes

Operation Code	Description	Op Type	Hours	Derivative
44.03.01-01	Pump, fuel & sender unit	r&r	3.0	
44.03.01-02	Pump, fuel & sender unit	Renew	3.0	
44.03.02-01	Fuel filter	Renew	3.0	
44.03.03-01	Fuel gauge sender unit	r&r	3.0	
44.03.03-02	Fuel gauge sender unit	Renew	3.0	
44.03.04-01	Sensor, vapour pressure	r&r	3.0	
44.03.04-02	Sensor, vapour pressure	Renew	3.0	
44.03.05-01	Spacer ring (clamp) fuel pump	r&r	3.0	
44.03.05-02	Spacer ring (clamp) fuel pump	Renew	3.0	
44.03.06-02	Pipe quick connect to tank	Renew	3.0	
44.03.07-02	Pipe fuel feed	Renew	3.0	
44.03.08-02	Fuel Pressure Regulator	Renew	3.0	



ELEVEN

45.01

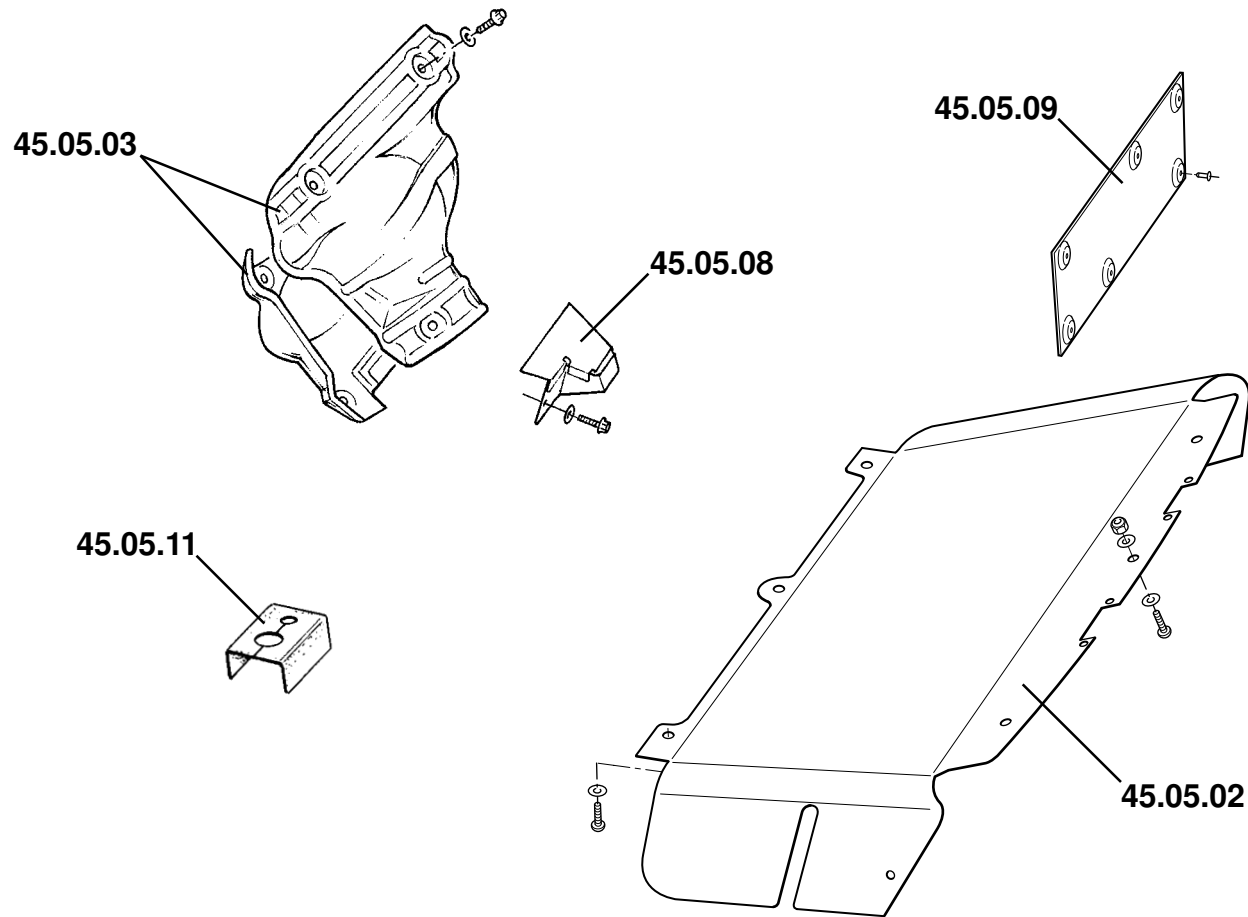


LOTUS 2-ELEVEN STANDARD LABOUR TIMES.

Function Area: 45.00 Exhaust

Function Code: 45.01 Exhaust System

Operation Code	Description	Op Type	Hours	Derivative
45.01.01-01	Catalyst/Downpipe assembly	r&r	1.0	
45.01.01-02	Catalyst/Downpipe assembly	Renew	1.0	
45.01.02-02	Sealing ring, down pipe to manifold	Renew	0.4	
45.01.03-01	Silencer assembly	r&r	0.5	
45.01.03-02	Silencer assembly	Renew	0.5	
45.01.04-01	Catalyst & exhaust assembly	r&r	1.0	
45.01.04-02	Catalyst & exhaust assembly	Renew	1.0	
45.01.05-01	Exhaust system mounts (one or both)	r&r	0.4	
45.01.05-02	Exhaust system mounts (one or both)	Renew	0.4	



ELEVEN
45.05

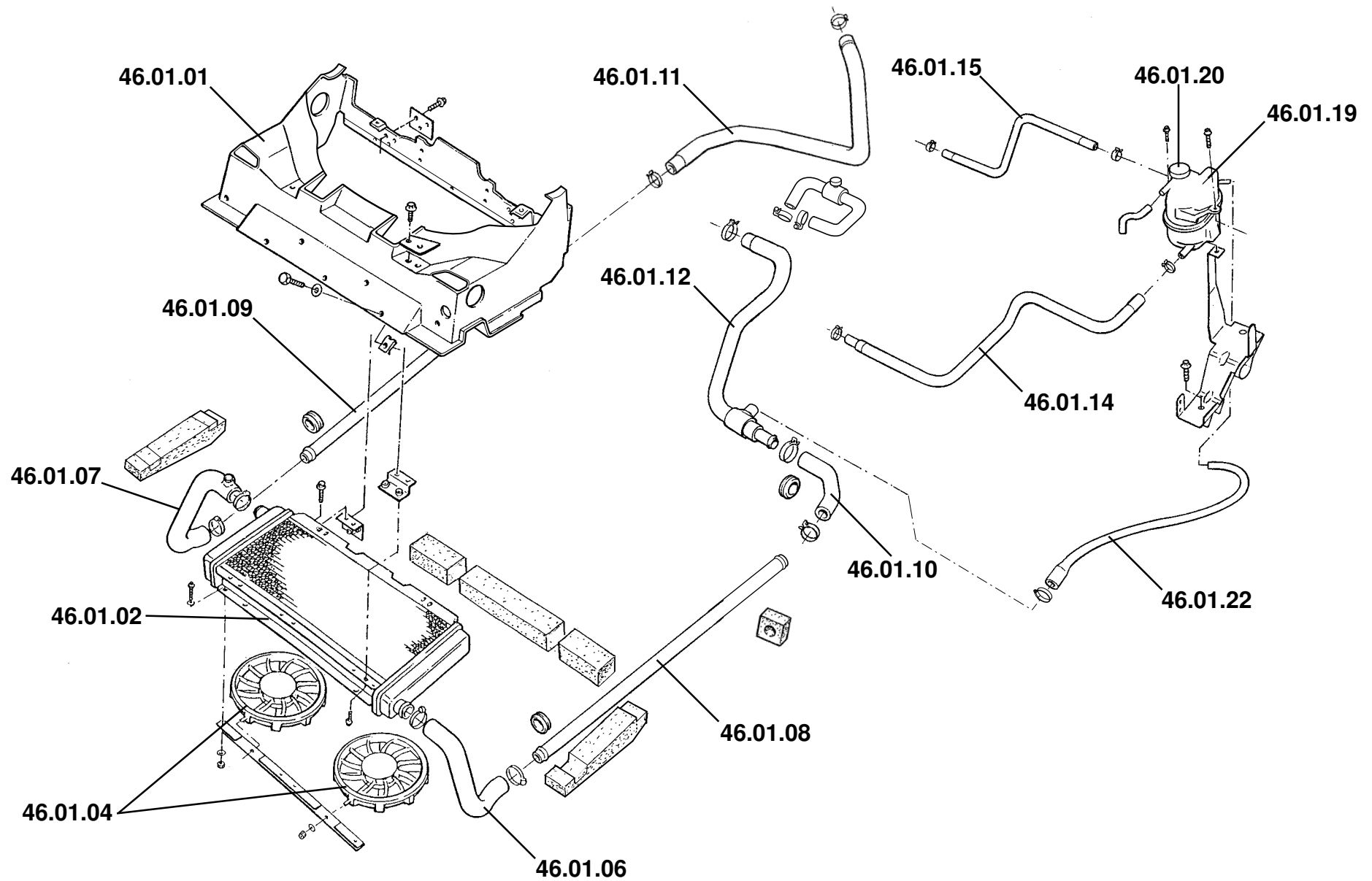


LOTUS 2-ELEVEN STANDARD LABOUR TIMES.

Function Area: 45.00 Exhaust

Function Code: 45.05 Heatshields

Operation Code	Description	Op Type	Hours	Derivative
45.05.02-01	Heatshield, exhaust upper (inc.exhaust assembly removal)	r&r	1.4	
45.05.02-02	Heatshield, exhaust upper (inc.exhaust assembly removal)	Renew	1.4	
45.05.03-01	Heatshield, exhaust manifold, upper & lower	r&r	0.5	
45.05.03-02	Heatshield, exhaust manifold, upper & lower	Renew	0.5	
45.05.08-01	Heatshield, rear engine mount	r&r	0.4	
45.05.08-02	Heatshield, rear engine mount	Renew	0.4	
45.05.09-01	Heatshield, license plate	r&r	0.6	
45.05.09-02	Heatshield, license plate	Renew	0.6	
45.05.11-01	Heatshield/NVH Pad, tank bay closure	Renew	0.5	



ELEVEN
46.01



LOTUS 2-ELEVEN STANDARD LABOUR TIMES.

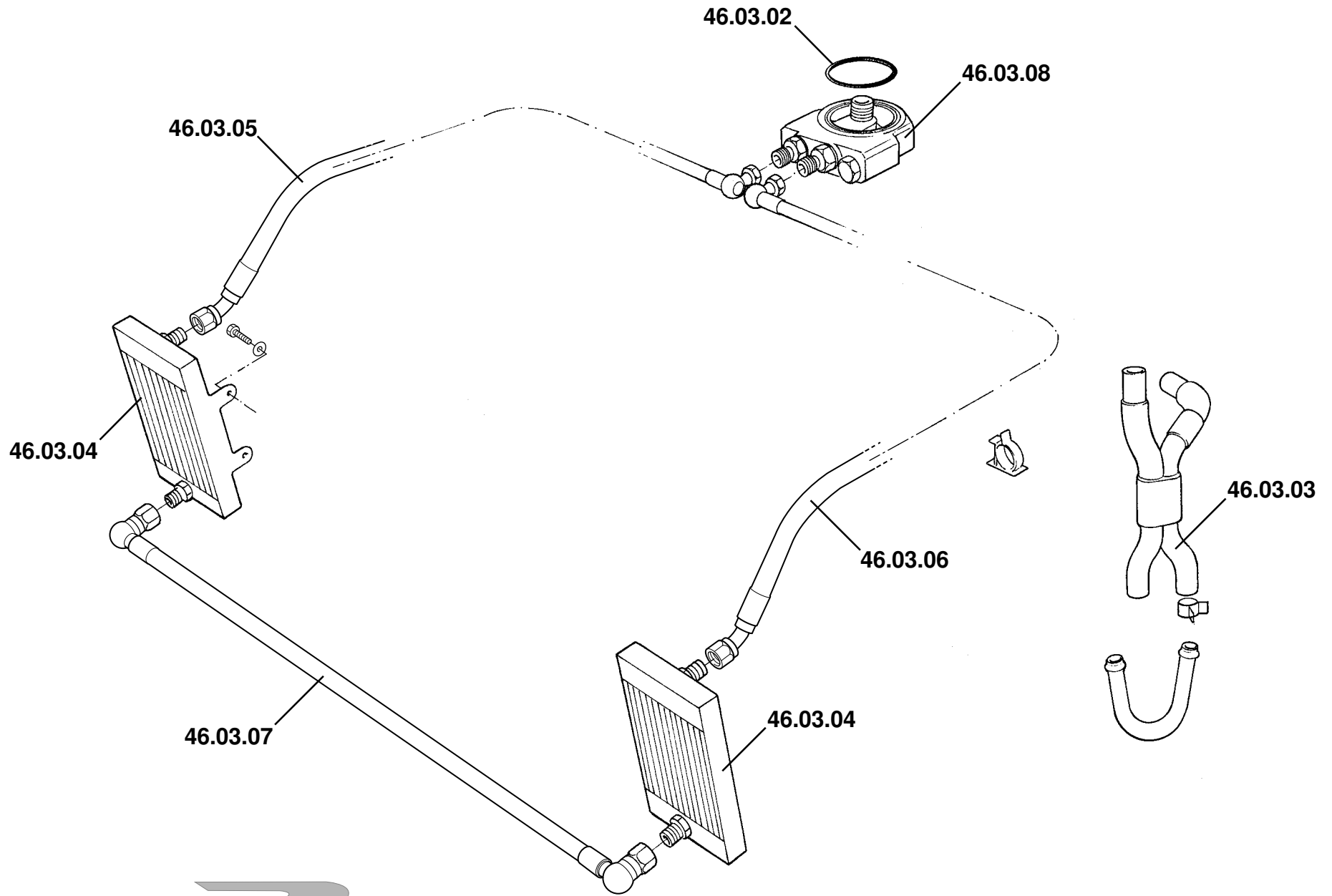
Function Area: 46.00 Cooling

Function Code: 46.01 Engine Cooling System & Fan

Operation Code	Description	Op Type	Hours	Derivative
46.01.00-02	Coolant	Renew	1.0	
46.01.01-02	Radiator housing	Renew	1.5	
46.01.02-01	Radiator	r&r	2.0	
46.01.02-02	Radiator	Renew	2.0	
46.01.04-01	Radiator fan (one or both)	r&r	2.5	
46.01.04-02	Radiator fan (one or both)	Renew	2.5	
46.01.06-01	Hose, pipe to radiator, LH	r&r	2.0	
46.01.06-02	Hose, pipe to radiator, LH	Renew	2.0	
46.01.07-01	Hose, pipe to radiator, RH	r&r	2.0	
46.01.07-02	Hose, pipe to radiator, RH	Renew	2.0	
46.01.08-02	Pipe, chassis water rail coolant (LH)	Renew	3.0	
46.01.09-02	Pipe, chassis water rail coolant (RH)	Renew	3.0	
46.01.10-02	Hose, engine outlet to chassis pipe	Renew	0.5	
46.01.11-02	Hose, engine inlet to chassis pipe	Renew	0.5	
46.01.12-02	Hose, engine outlet	Renew	0.5	
46.01.14-02	Hose, header tank to water pump	Renew	0.5	
46.01.15-02	Hose, header tank to engine	Renew	0.5	
46.01.19-02	Header tank assembly	Renew	0.3	
46.01.20-02	Cap, header tank	Renew	0.1	
46.01.22-02	Hose, header tank bleeding	Renew	0.2	

Function Code: 46.01, Page: 1

2009/01



ELEVEN

46.03

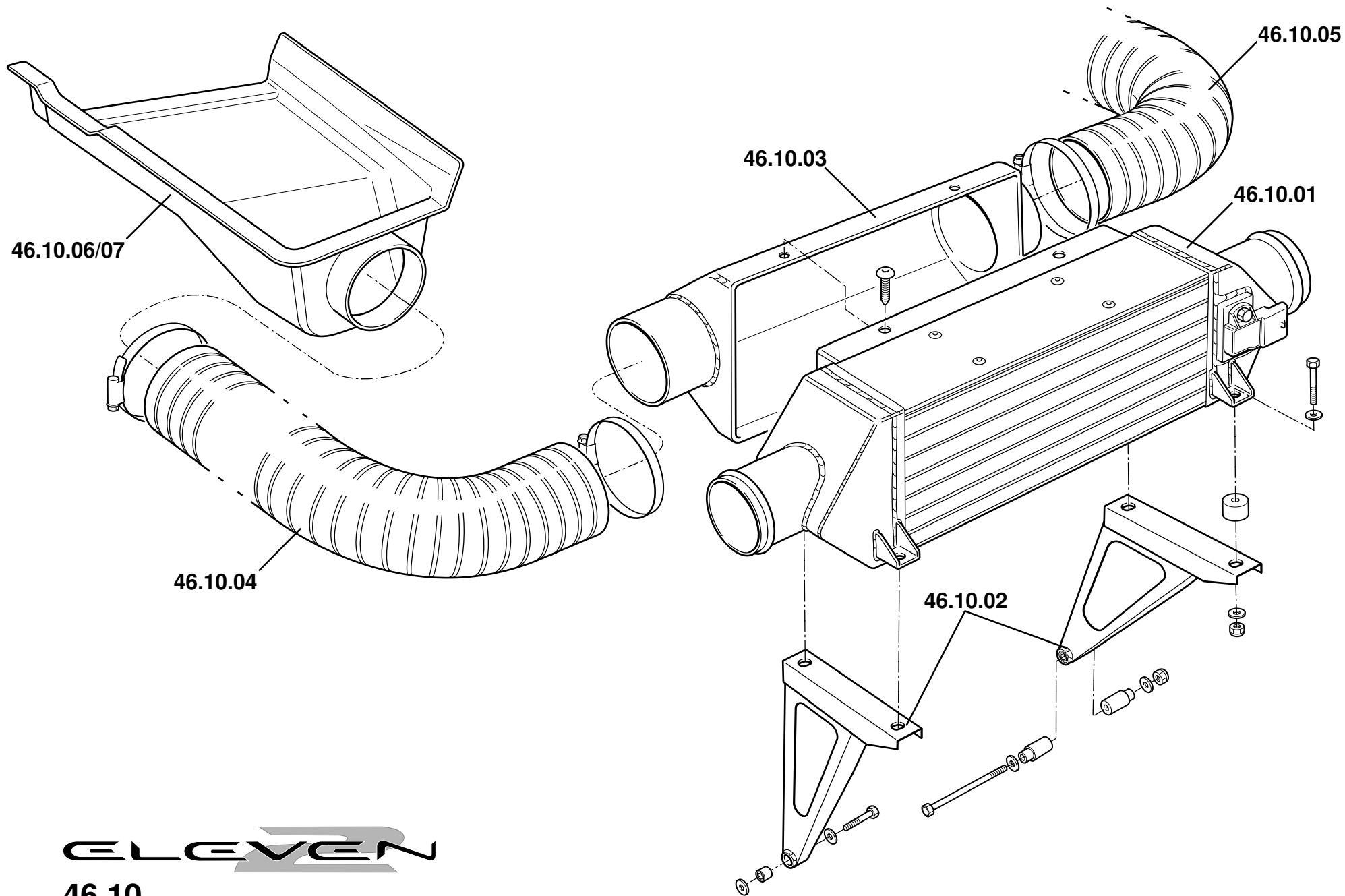


LOTUS 2-ELEVEN STANDARD LABOUR TIMES.

Function Area: 46.00 Cooling

Function Code: 46.03 Oil Cooler & Pipes

Operation Code	Description	Op Type	Hours	Derivative
46.03.02-02	'O' Ring adapter to oil filter housing	Renew	1.0	
46.03.03-02	Hose assembly, coolant feed/return (unused)	Renew	0.5	
46.03.04-02	Oil cooler, one or both (front splitter quarter panel removed)	Renew	1.0	
46.03.05-02	Hose, RH oil cooler feed (inc.clamshell & side panel removal)	Renew	3.5	
46.03.06-02	Hose, LH oil cooler return (inc.clamshell & side panel removal)	Renew	3.5	
46.03.07-02	Hose, oil cooler transfer pipe (including front clamshell removal)	Renew	2.0	
46.03.08-01	Sandwich plate & thermostat Assy	r&r	1.0	
46.03.08-02	Sandwich plate & thermostat Assy	Renew	1.0	



ELEVEN
46.10

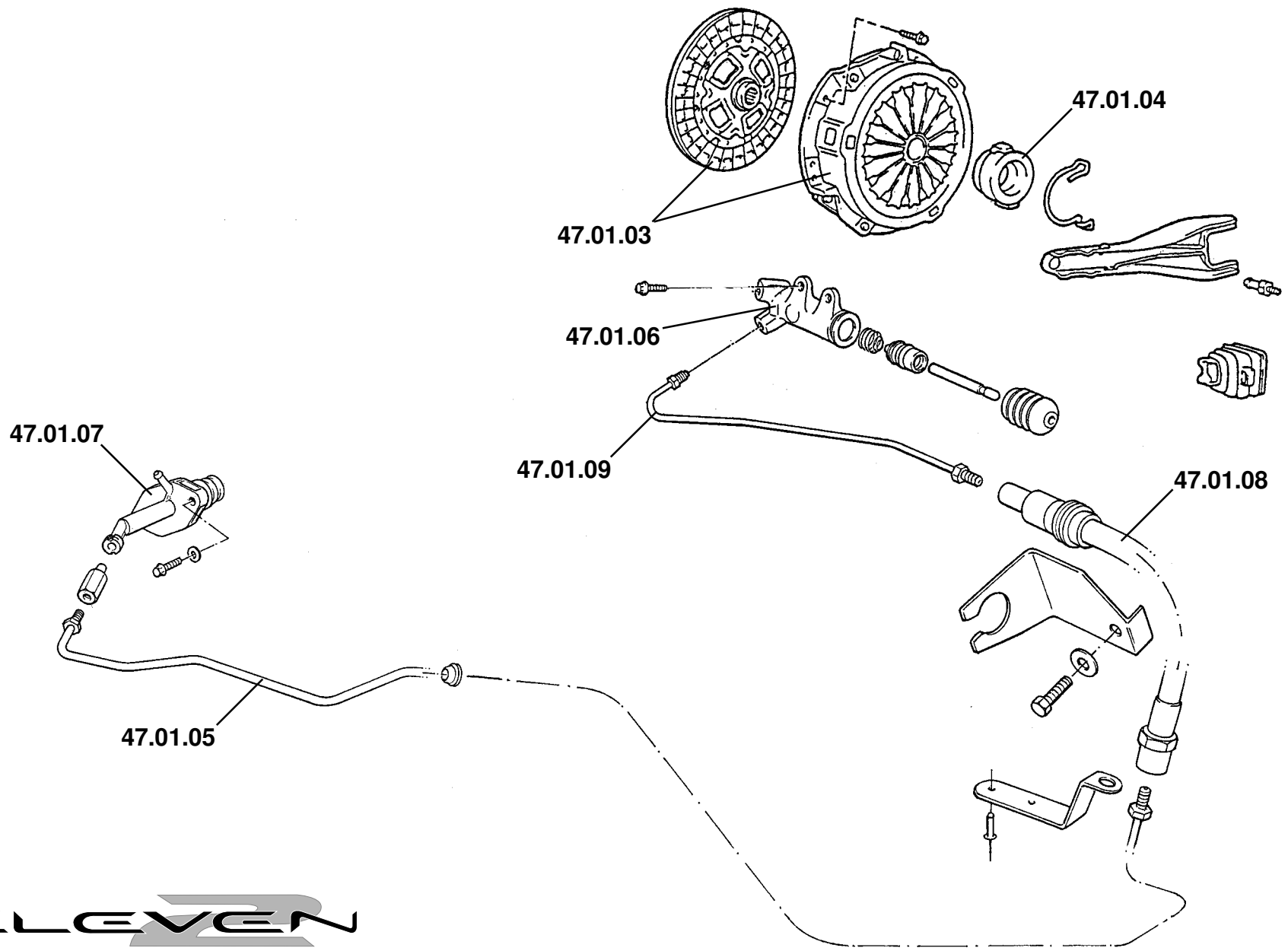


LOTUS 2-ELEVEN STANDARD LABOUR TIMES.

Function Area: 46.00 Cooling

Function Code: 46.10 Chargecooler & Ducting

Operation Code	Description	Op Type	Hours	Derivative
46.10.01-01	Chargecooler	r&r	0.3	
46.10.01-02	Chargecooler	Renew	0.5	
46.10.02-01	Bracket, chargecooler, one or both	r&r	0.6	
46.10.02-02	Bracket, chargecooler, one or both	Renew	0.6	
46.10.03-01	Duct, hose to chargecooler	r&r	0.2	
46.10.03-02	Duct, hose to chargecooler	Renew	0.2	
46.10.04-01	Hose, vent to chargecooler, LH	r&r	0.2	
46.10.04-02	Hose, vent to chargecooler, LH	Renew	0.2	
46.10.05-01	Hose, vent to chargecooler, RH	r&r	0.2	
46.10.05-02	Hose, vent to chargecooler, RH	Renew	0.2	
46.10.06-01	Intake vent, LH	r&r	0.3	
46.10.06-02	Intake vent, LH	Renew	0.3	
46.10.07-01	Intake vent, RH	r&r	0.3	
46.10.07-02	Intake vent, RH	Renew	0.3	



ELEVEN

47.01

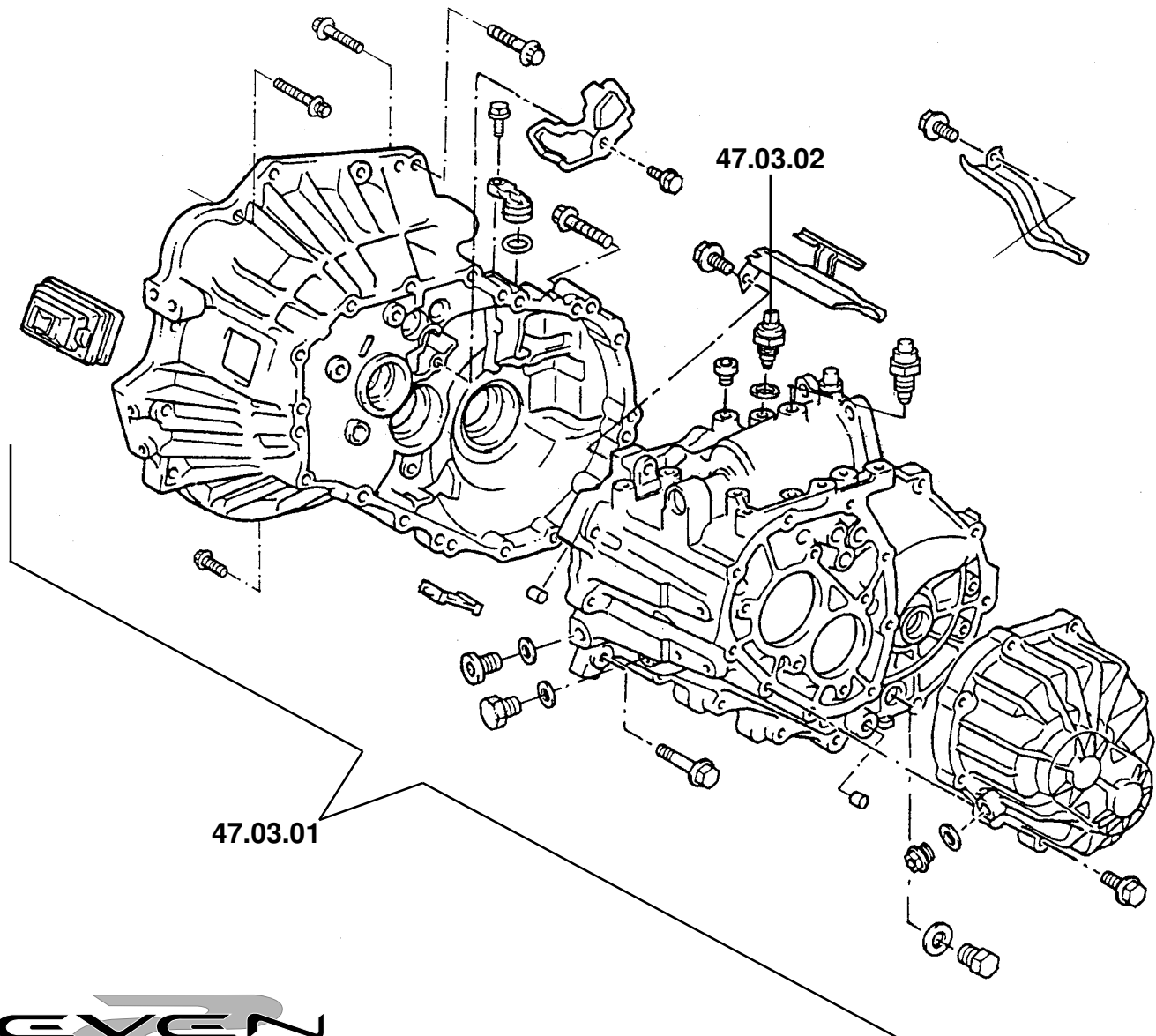


LOTUS 2-ELEVEN STANDARD LABOUR TIMES.

Function Area: 47.00 Transmission

Function Code: 47.01 Clutch & Release Mechanism

Operation Code	Description	Op Type	Hours	Derivative
47.01.01-01	Flywheel (not illustrated)	r&r	7.0	
47.01.01-02	Flywheel (not illustrated)	Renew	7.0	
47.01.02-02	Starter ring gear (not illustrated)	Renew	7.5	
47.01.03-02	Clutch Assembly	Renew	6.5	
47.01.04-02	Clutch Release Bearing	Renew	6.0	
47.01.05-02	Clutch master cylinder pipe (includes bleed)	Renew	3.5	
47.01.06-02	Clutch Release Slave Cylinder (includes bleed)	Renew	0.5	
47.01.07-02	Clutch Release, Master Cylinder	Renew	1.0	
47.01.08-01	Hose, pipe front to rear (includes bleed)	r&r	0.4	
47.01.08-02	Hose, pipe front to rear (includes bleed)	Renew	0.4	
47.01.09-01	Clutch slave cylinder pipe (includes bleed)	r&r	0.4	
47.01.09-02	Clutch slave cylinder pipe (includes bleed)	Renew	0.4	



ELEVEN
47.03



LOTUS 2-ELEVEN STANDARD LABOUR TIMES.

Function Area: 47.00 Transmission

Function Code: 47.03 Transmission Assembly

Operation Code	Description	Op Type	Hours	Derivative
47.03.01-01	Transmission assembly	r&r	5.0	
47.03.01-02	Transmission assembly	Renew	6.0	
47.03.02-02	Switch, reverse light	Renew	0.5	